



McLaren

S SENNA



Booklet available in English on
Heft in deutscher Sprache erhältlich auf
Livret disponible en français sur
Libretto disponibile in italiano su
Folleto en español disponible en
如需中文版手册, 请访问





LEGO.com/sustainable-packaging



FR
**DONNEZ
OU
RECYCLEZ**



OU



OU



ASSOCIATION MAGASIN DÉCHÈTERIE

Adresses sur quefairedemesdechets.fr



BUILDER



Apple and the Apple logo are trademarks of Apple Inc., registered in the U.S. and other countries and regions. App Store is a service mark of Apple Inc. Google Play and the Google Play logo are trademarks of Google LLC. Tencent and the Tencent logo are trademarks of Tencent Inc.

LEGO.com/devicecheck



LEGO® Builder

BUILDING A LEGEND

With 15 wins in 16 races, 15 pole positions and leading in 1,003 out of 1,031 laps in the 1988 Formula 1 season, the McLaren MP4/4 made history as the most successful F1 car at the time. To this day, it remains one of the most legendary racing cars of the 20th century. A collaborative design by McLaren and Honda, the MP4/4 was famously driven by two of the world's most talented drivers of their time – Ayrton Senna and Alain Prost. The two competed fiercely in every race, which resulted in thrilling spectacles for F1 fans. Amidst the fierce battles, Senna emerged triumphant, securing his first-ever F1 Championship, a testament to his remarkable talent and unwavering resolve.





"No matter what your dream is, you have to dedicate yourself entirely to it"

Agustín Juan





THE LEGACY OF AYRTON SENNA

Brazilian racing legend Ayrton Senna was a prodigious talent and one of the most iconic drivers in F1 history. Senna's fierce determination and unmatched skill behind the wheel earned him three World Championships (1988, 1990, 1991) and solidified his status as a true racing icon. Known for his fearless driving style, Senna's unparalleled mastery of wet conditions earned him the nickname 'The Rain Master'. Beyond his on-track achievements, he left a legacy as a compassionate and charitable individual, which evolved into the Ayrton Senna Institute. Since his passing in 1994, this organisation has continued to fulfil his legacy, inspiring generations of drivers, fans and enthusiasts alike and reaching out to over 35 million children, all in his name.



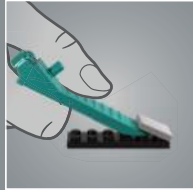
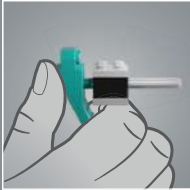
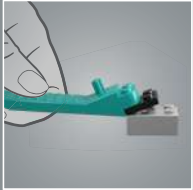
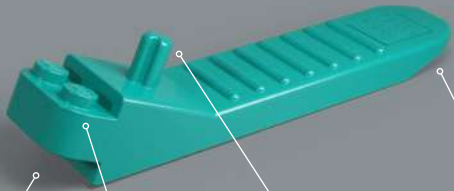
FROM THE DESIGN TEAM

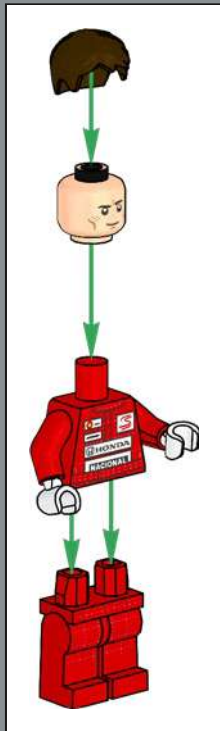


"While working with the amazing McLaren team, we discovered that we shared at least one challenge when building LEGO® Formula 1 cars and the real-life versions: these cars are very close to the ground! Luckily, with the help of new wheels and suspension elements, we were able to design a chassis that clears the ground by the height of just two LEGO plates.

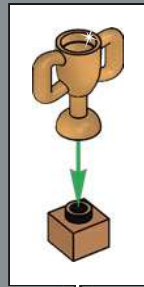
Today, you can still see the influence the McLaren MP4/4 has on modern racing cars. And the legacy of the MP4/4 is indelibly linked with the great Ayrton Senna, so we are honouring him with his own minifigure on a winner's podium. Enjoy building (and racing)!"

Ann Healy, LEGO® Icons Model Designer

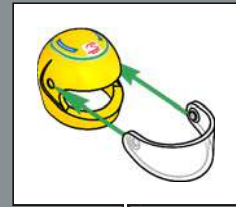




1

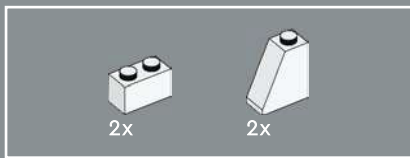


2

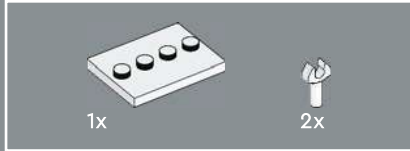
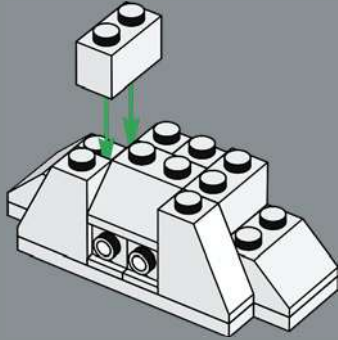


3

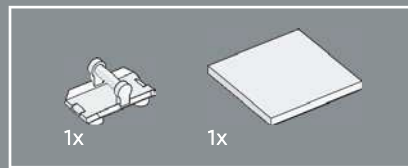
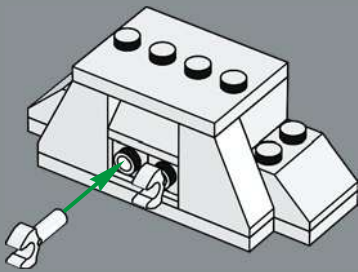




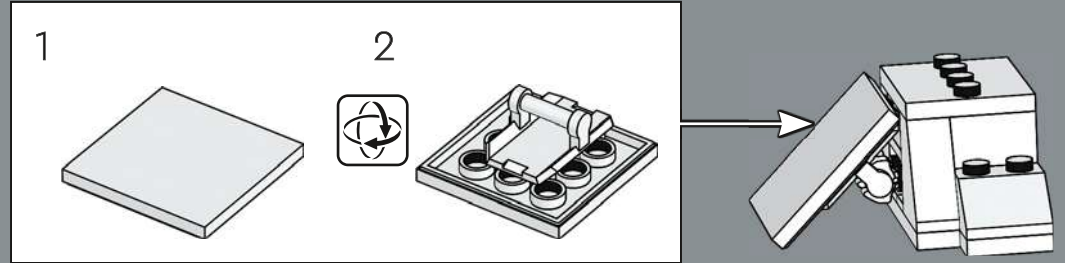
6



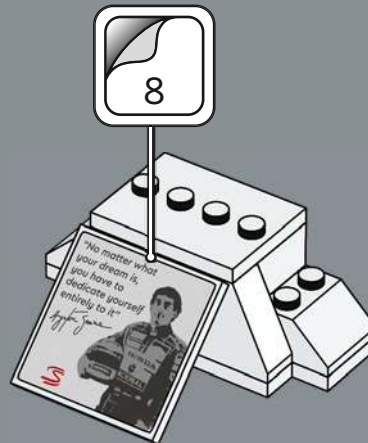
7



8

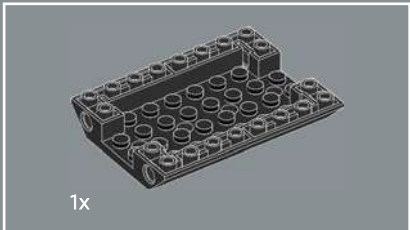
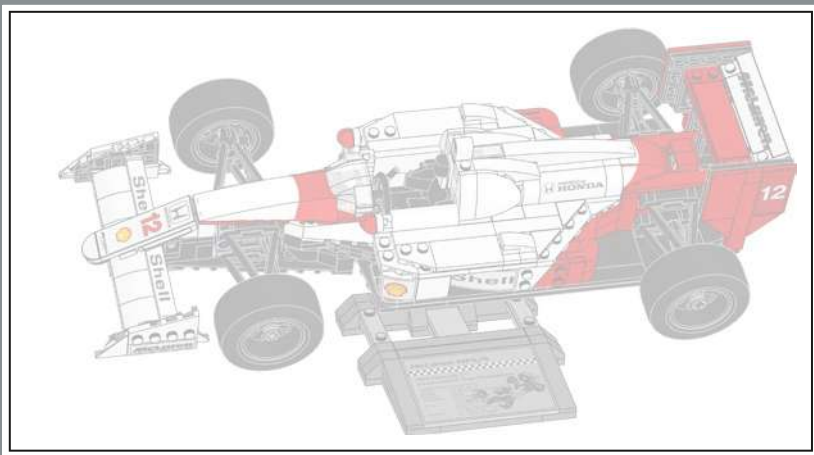


9

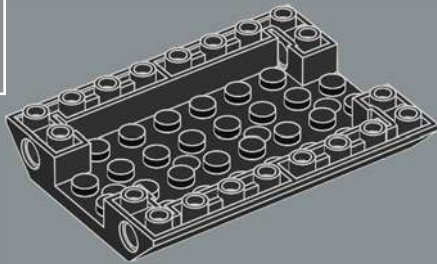


10

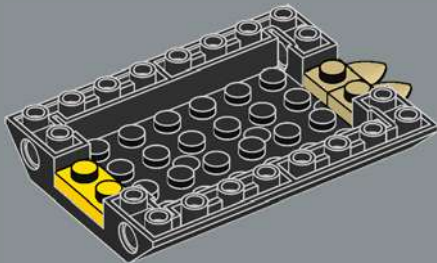




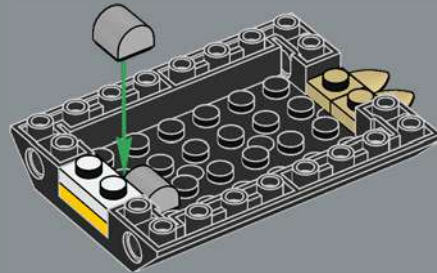
1



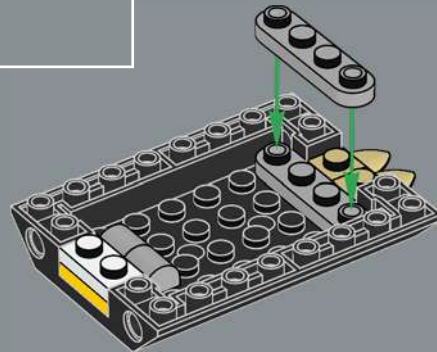
2



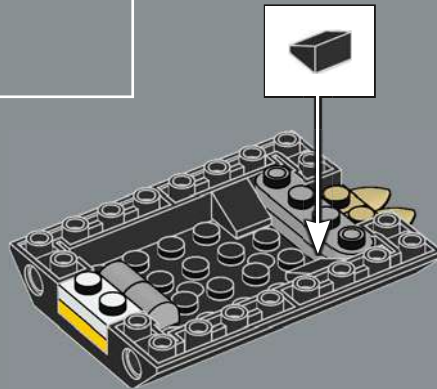
3

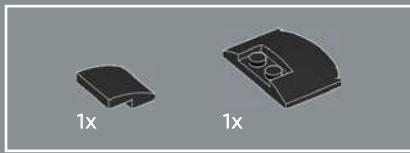


4

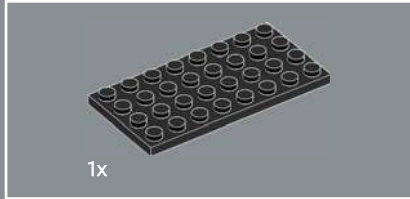
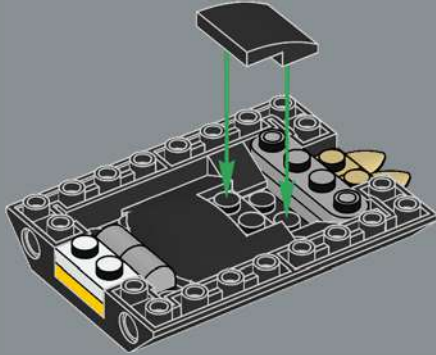


5

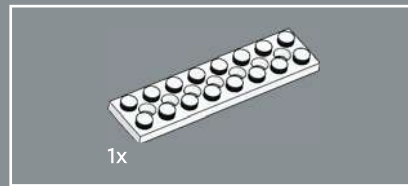
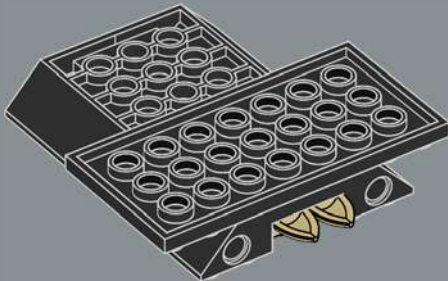




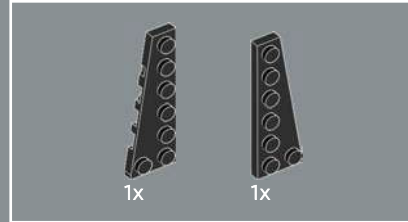
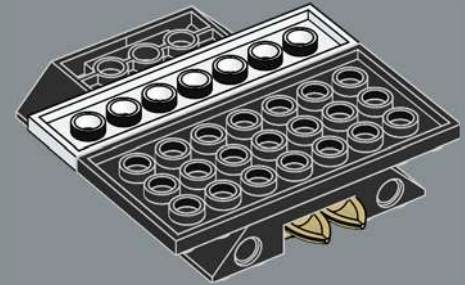
6



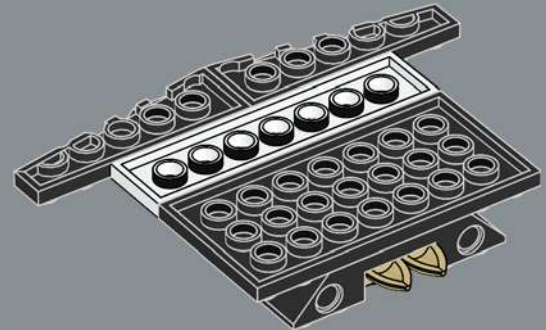
7



8

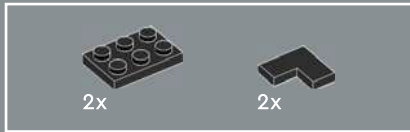
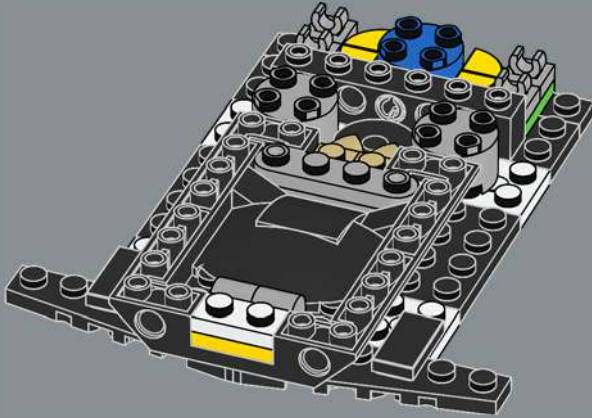


9

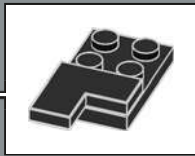
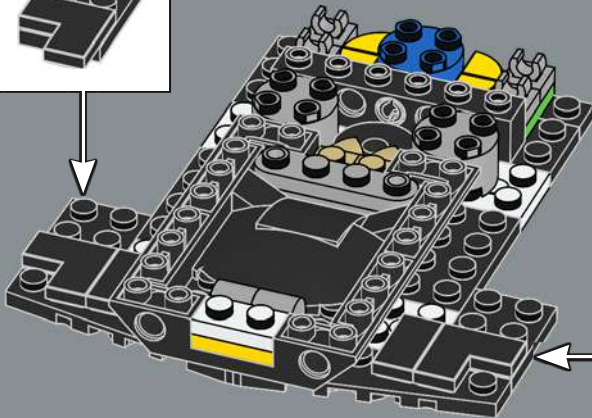
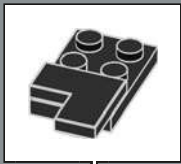




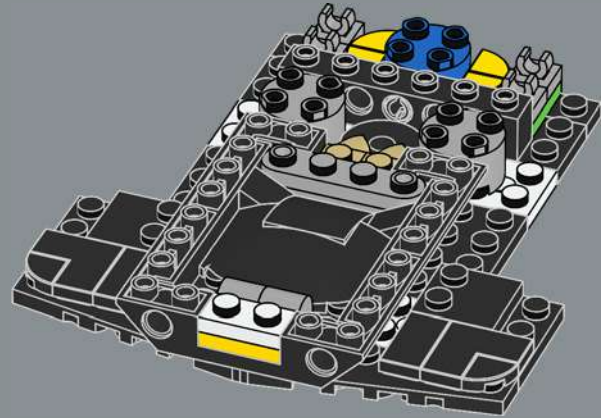
11



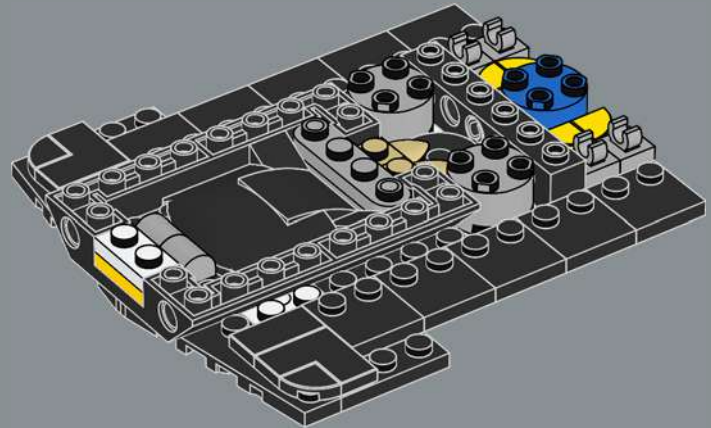
12

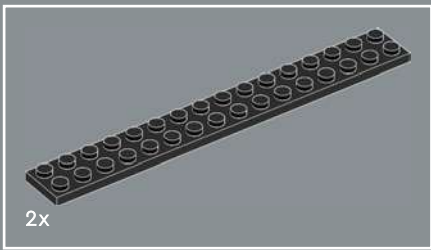


13

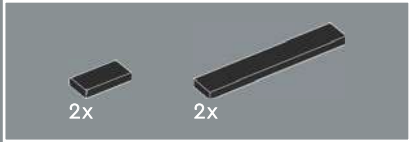
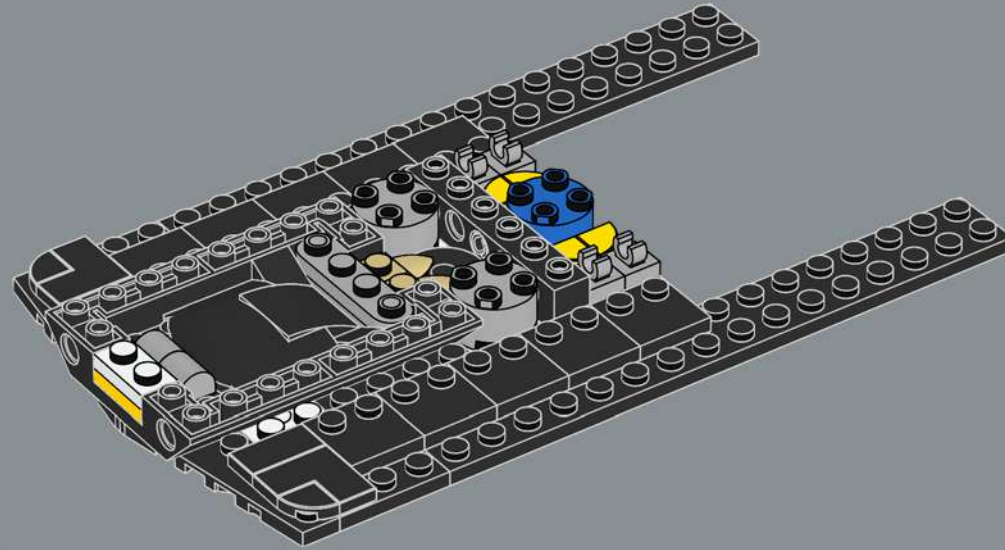


14

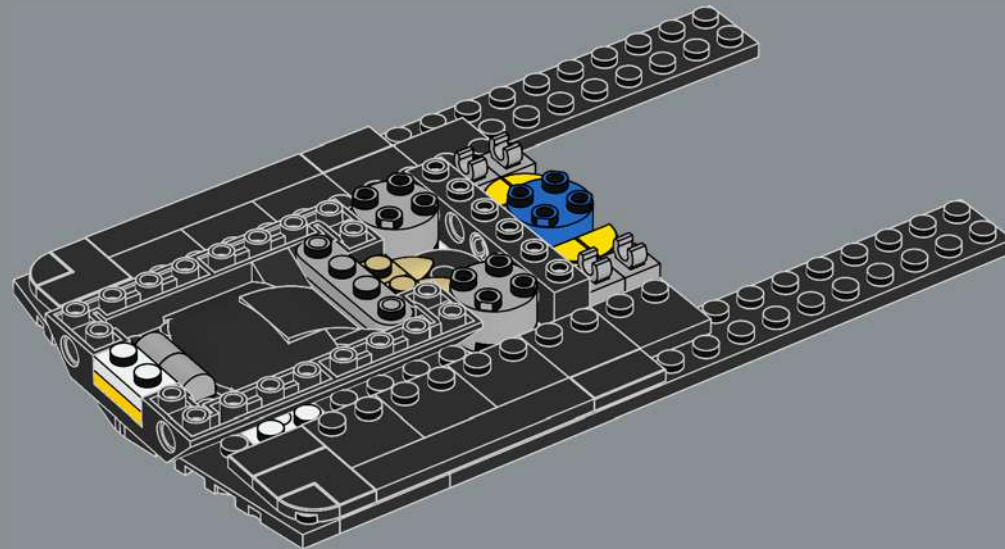


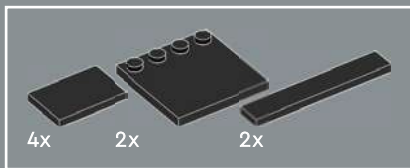


15

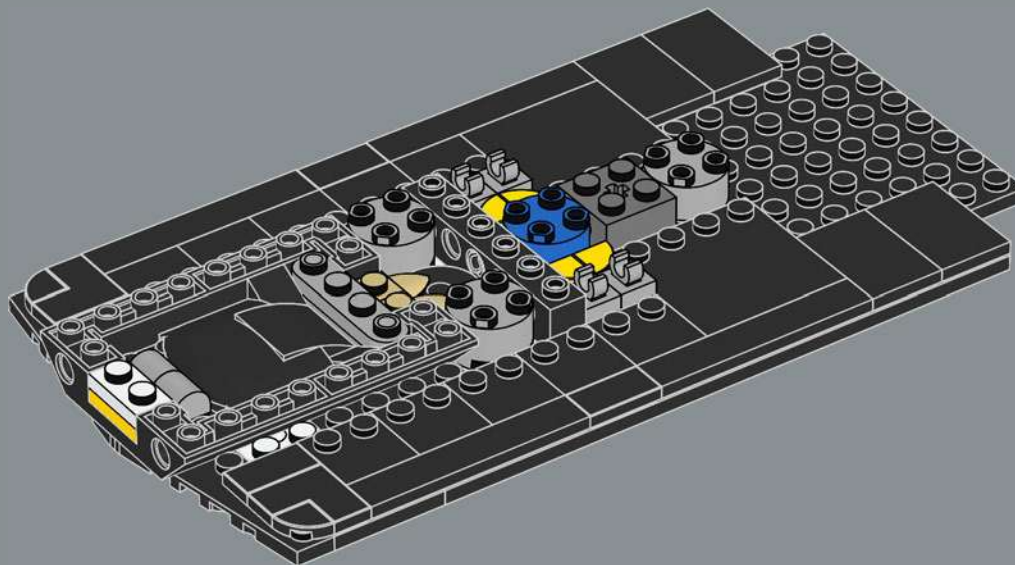


16

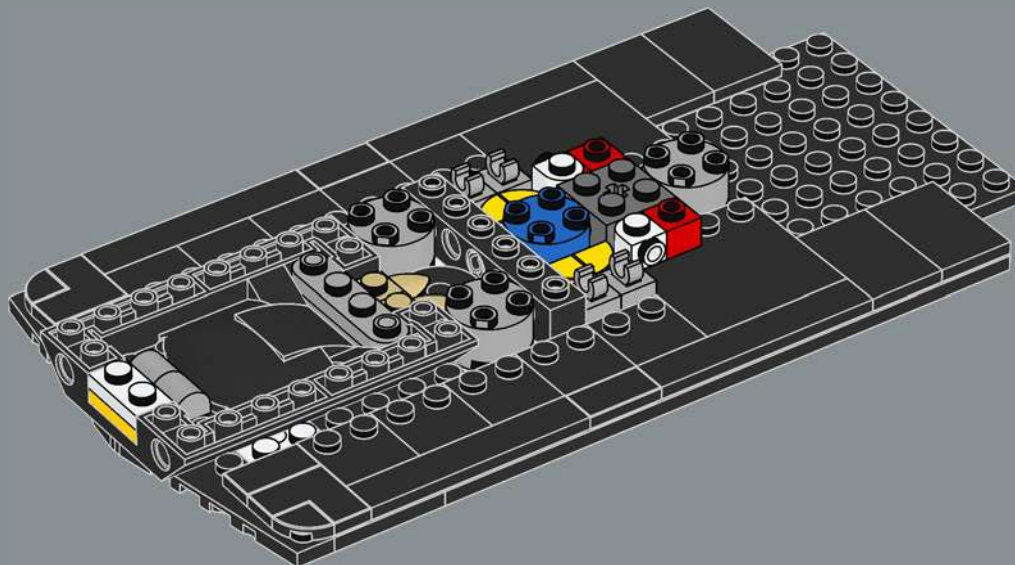




18

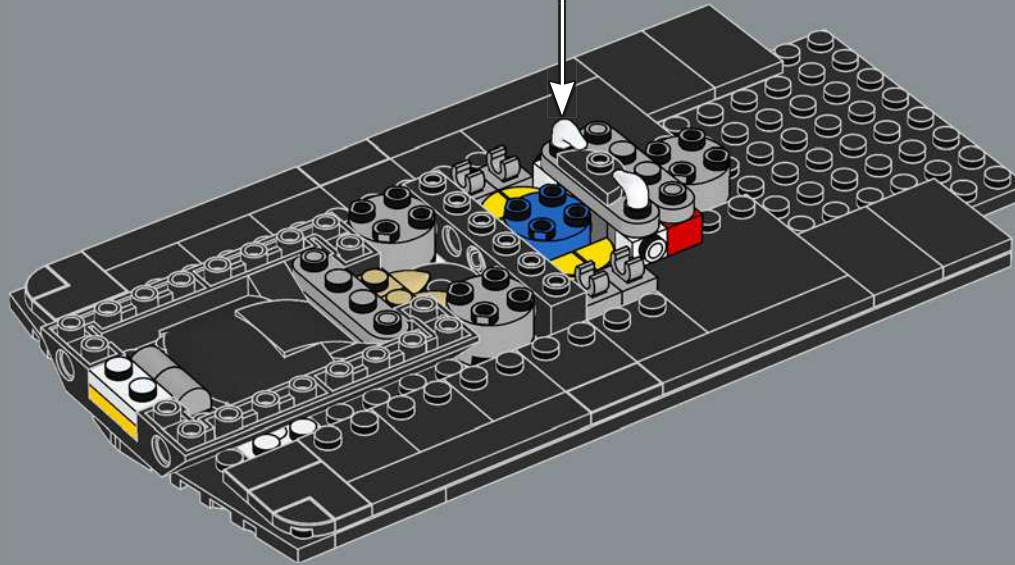
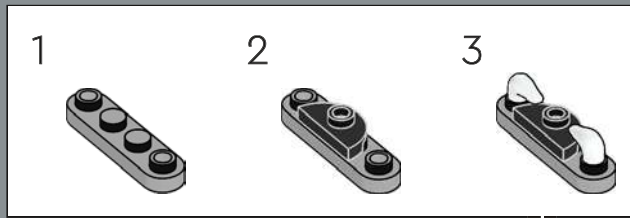


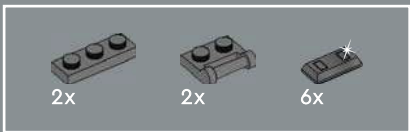
19



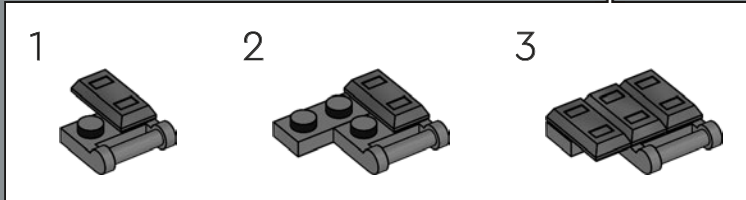
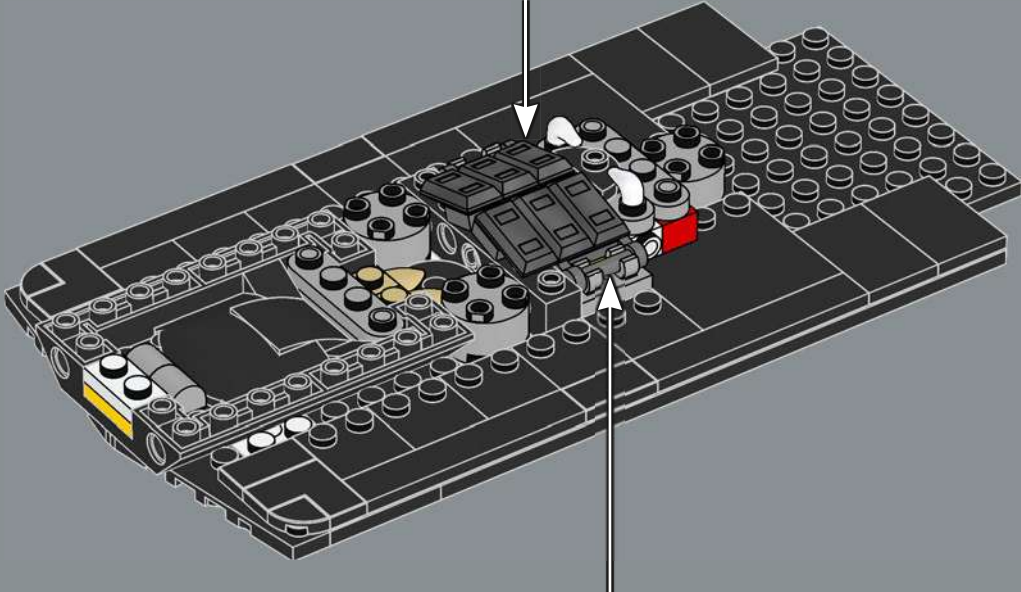
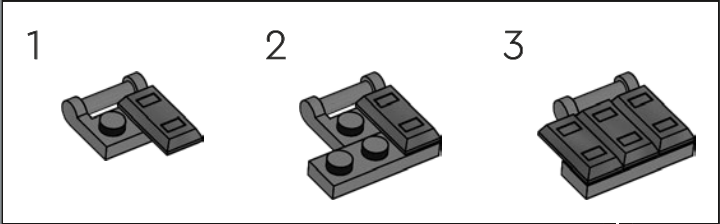


20



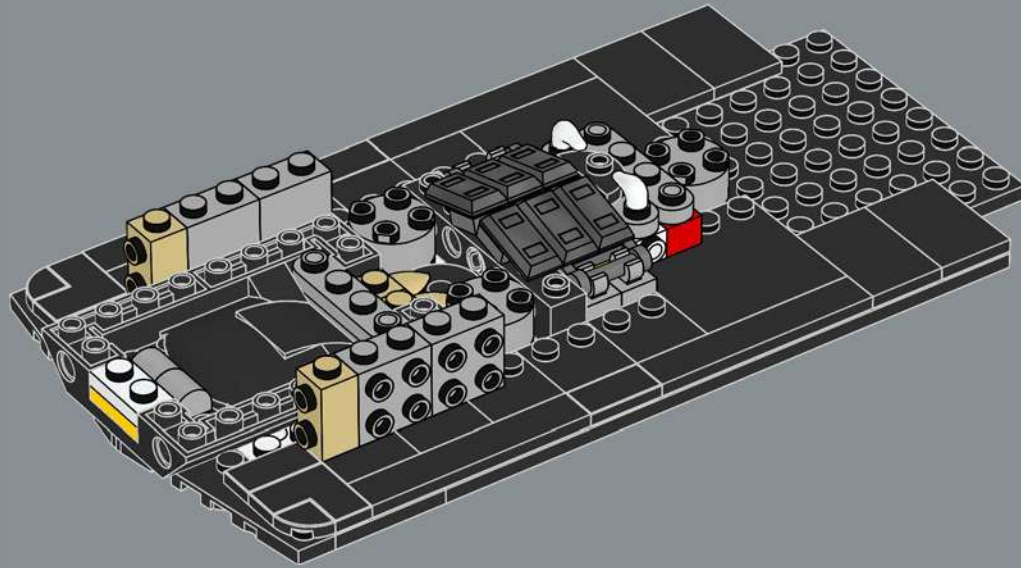


21

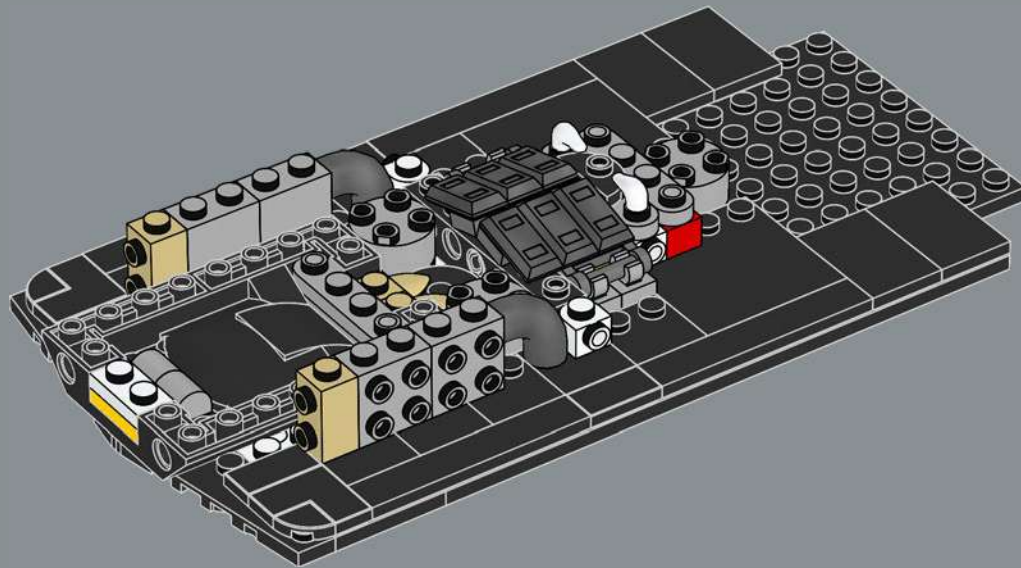




22

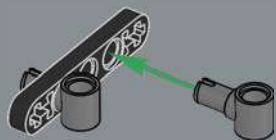


23

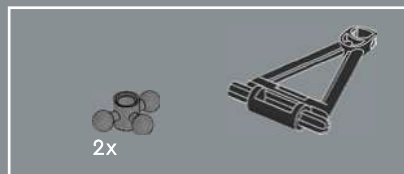
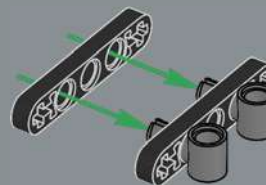




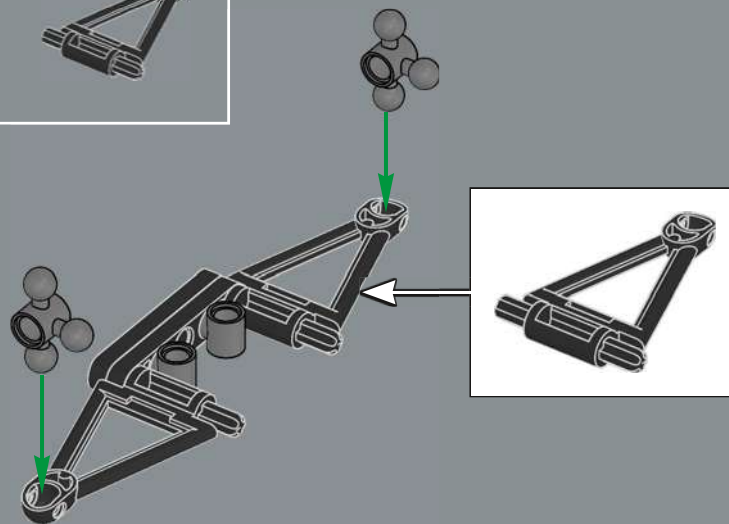
24



25

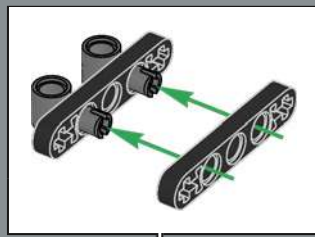


26

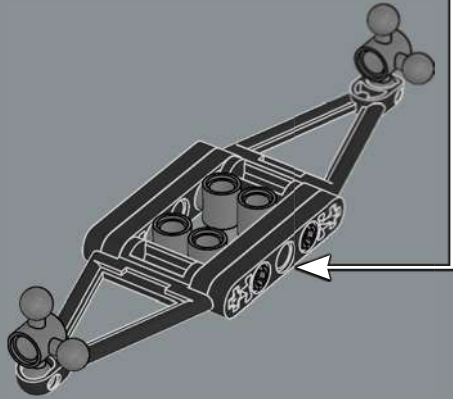


LEGO® Icons element designer Yoel Mazur developed new suspension elements that are instrumental in keeping the wheels in place and the steering working.

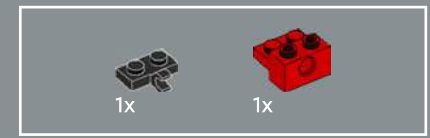
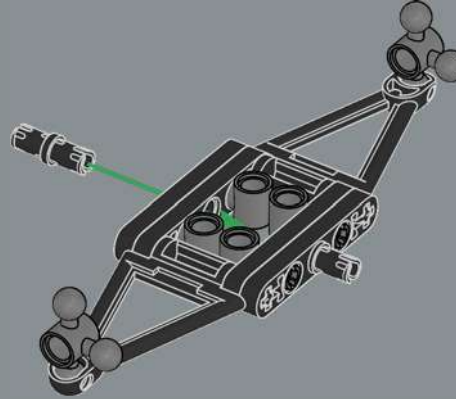




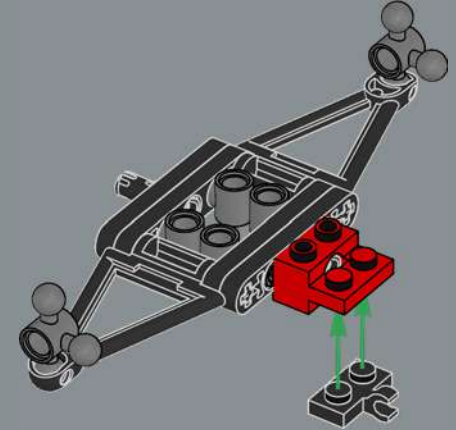
27



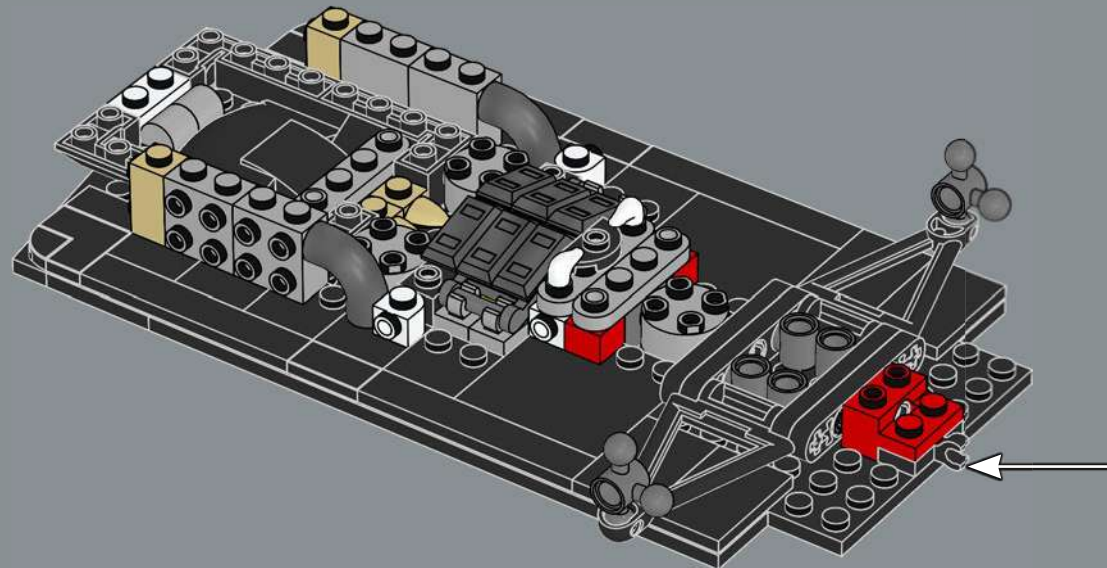
28



29

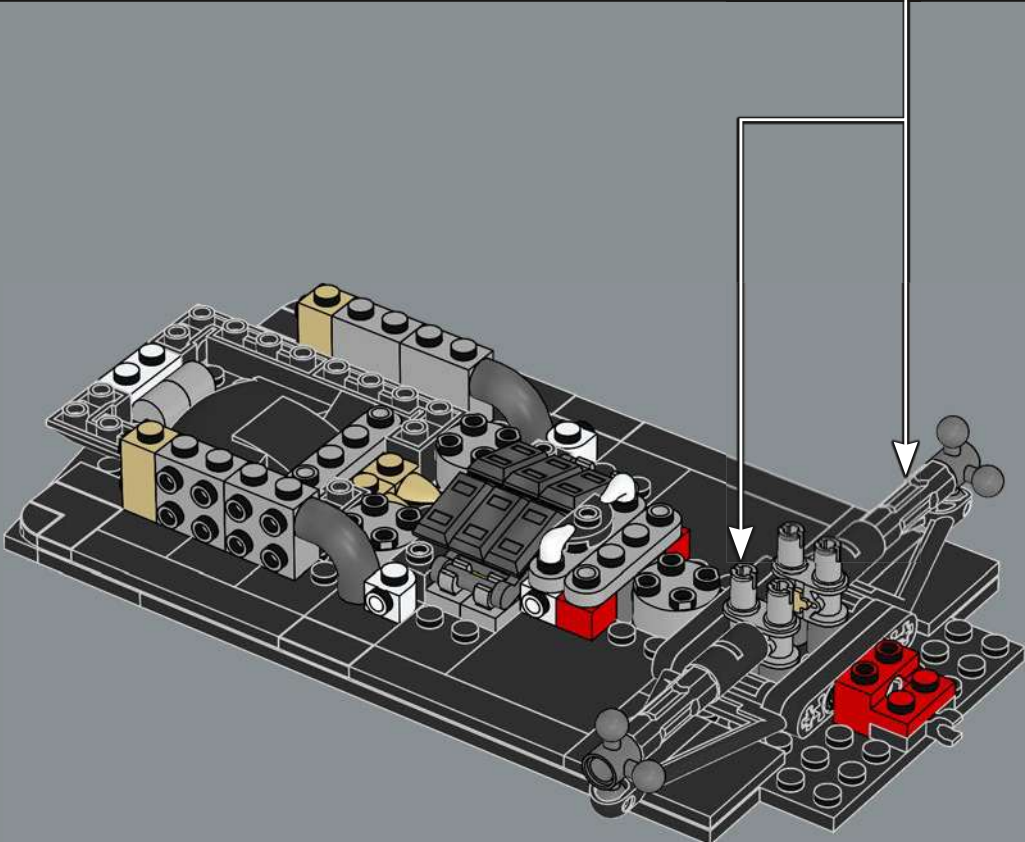
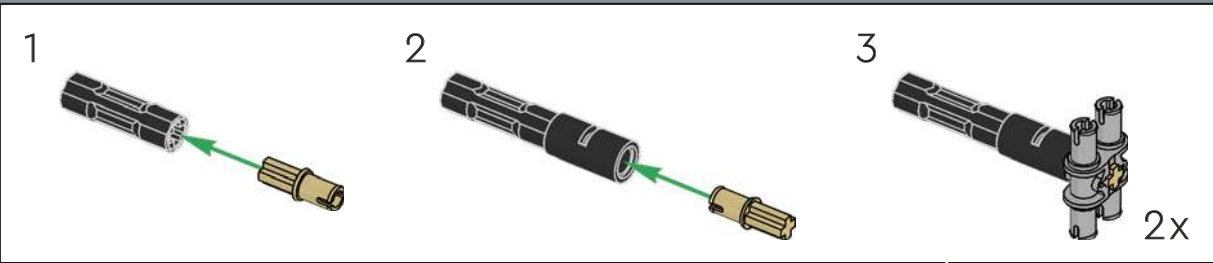


30



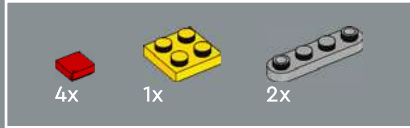
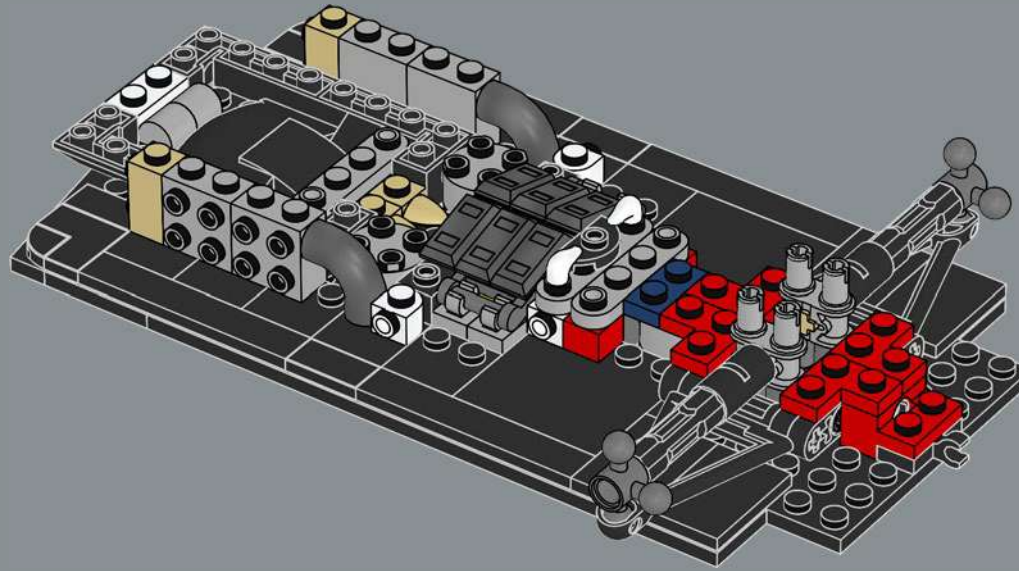


31

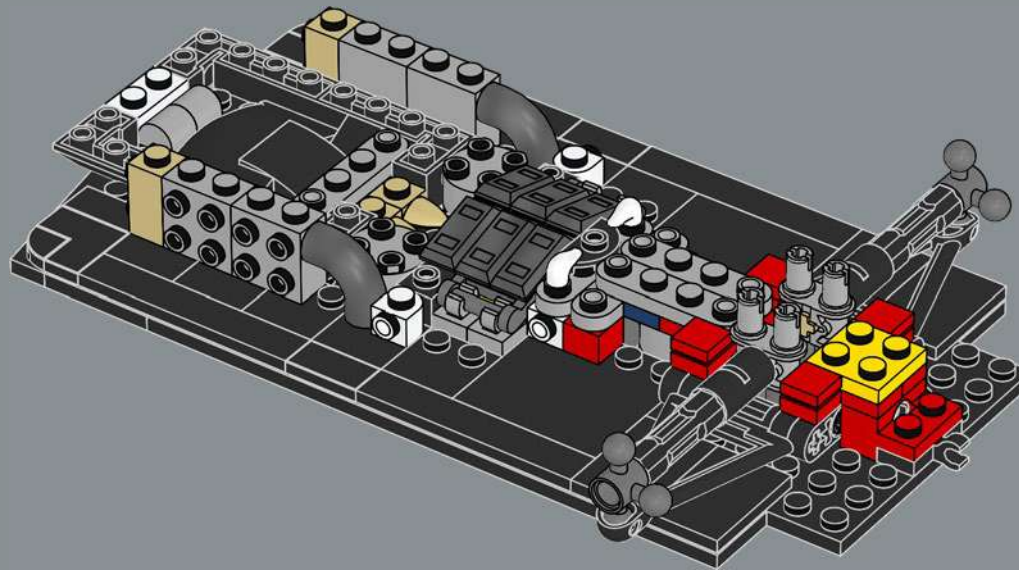




32

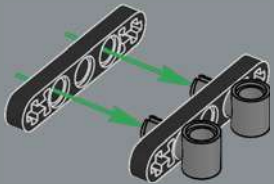


33

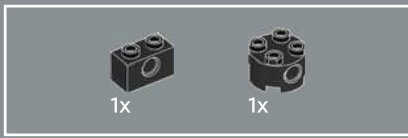
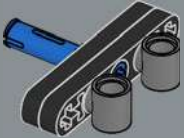




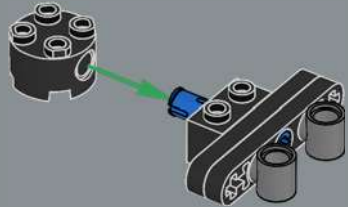
34



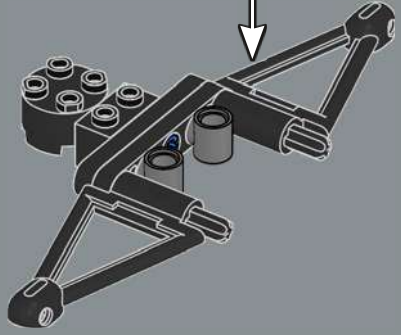
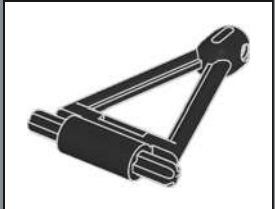
35

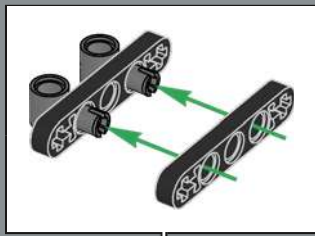


36

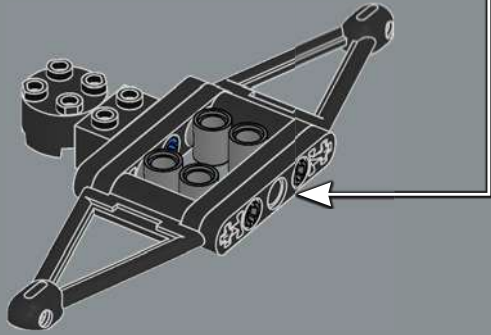


37

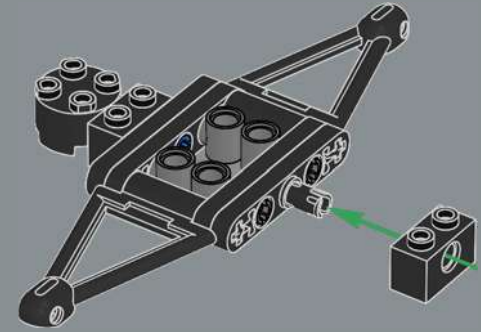




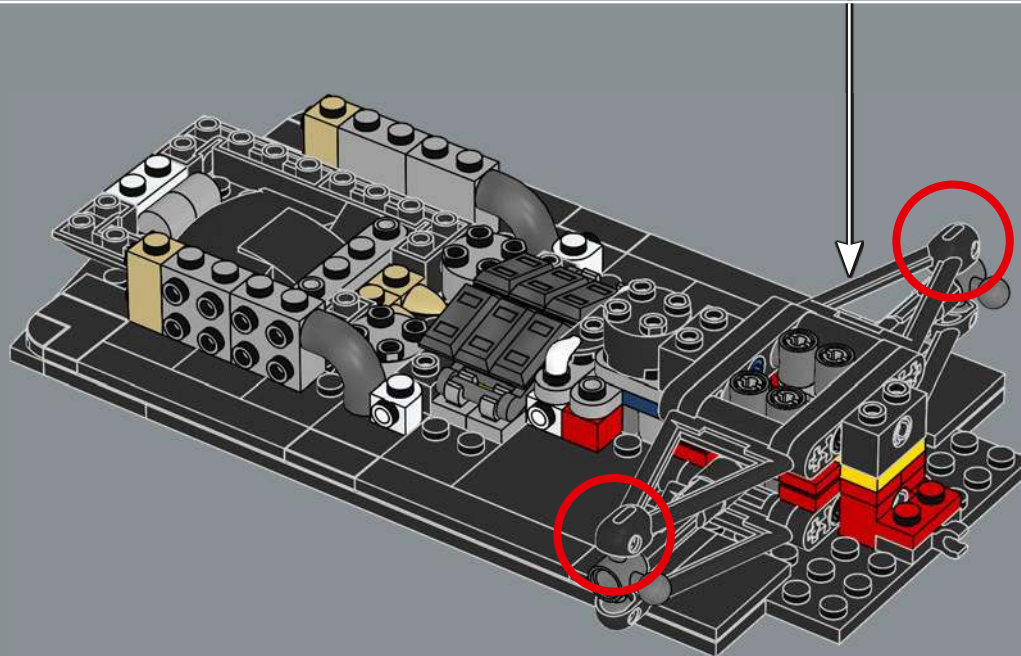
38

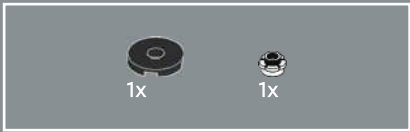


39

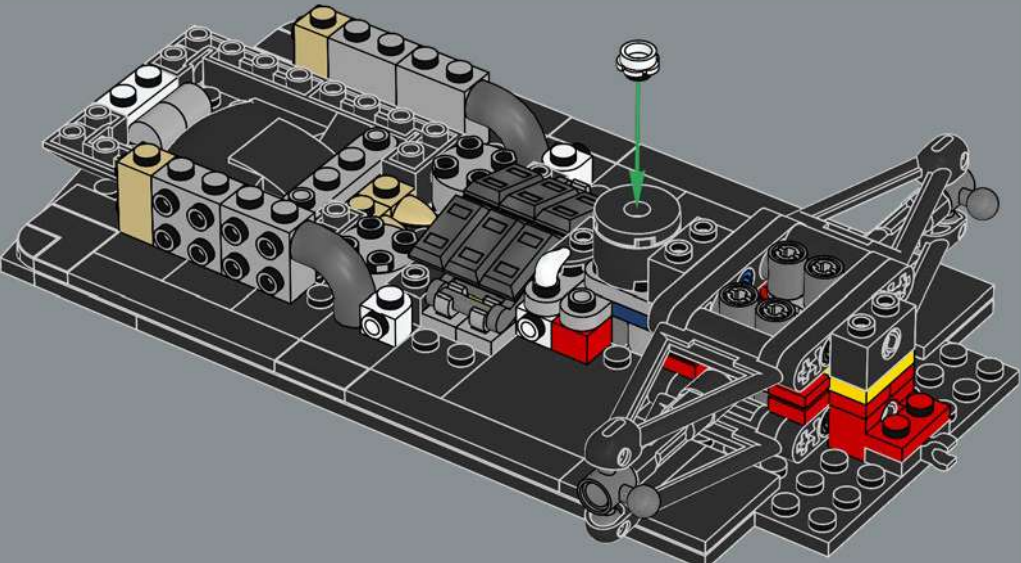


40

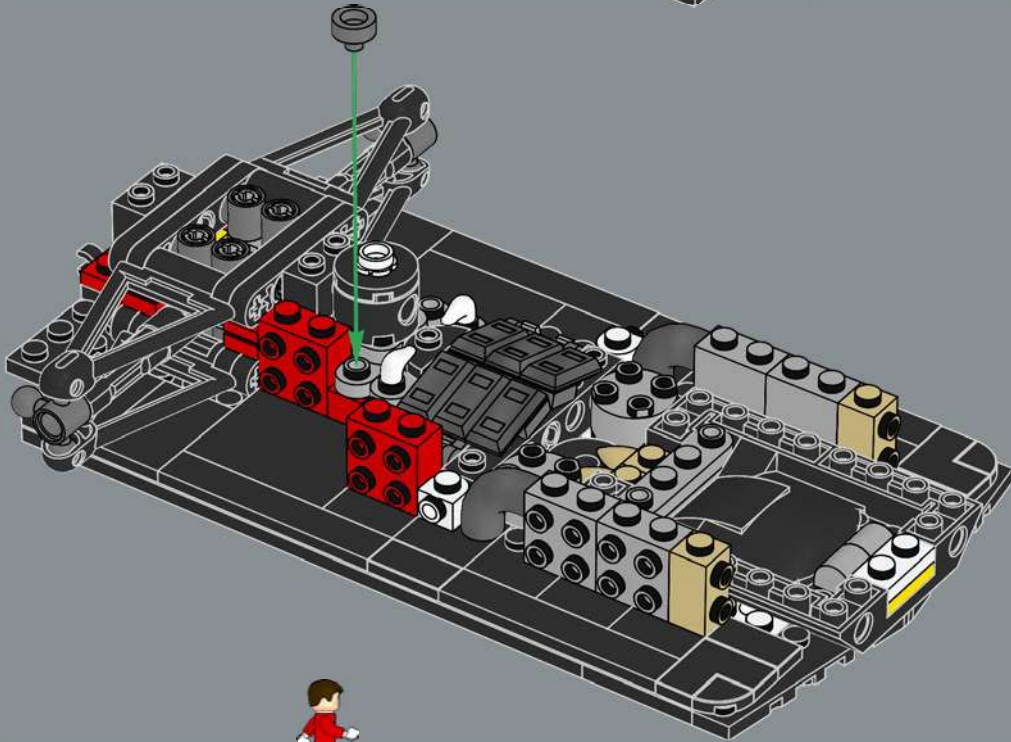


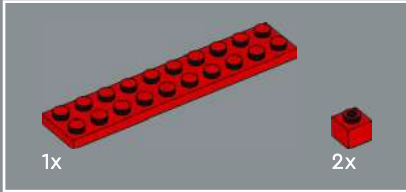


41

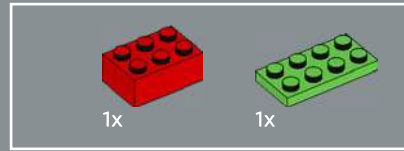
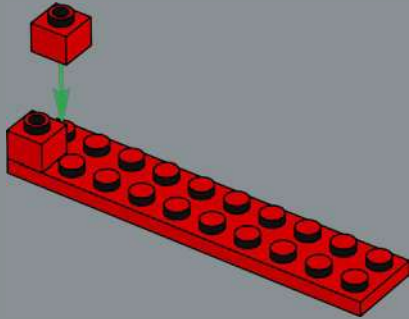


42

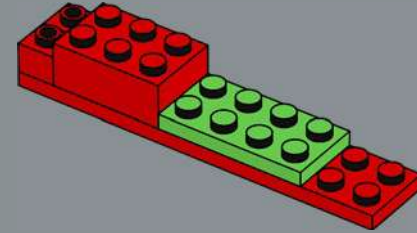




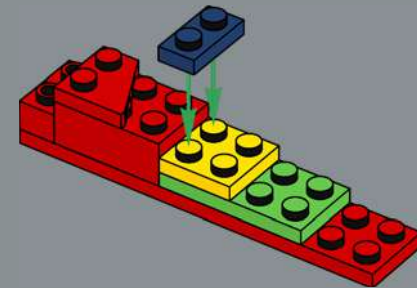
43

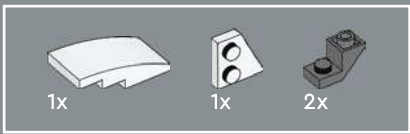


44

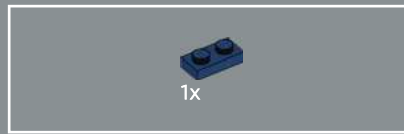
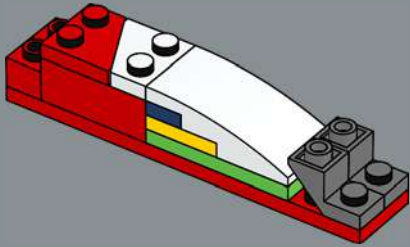


45

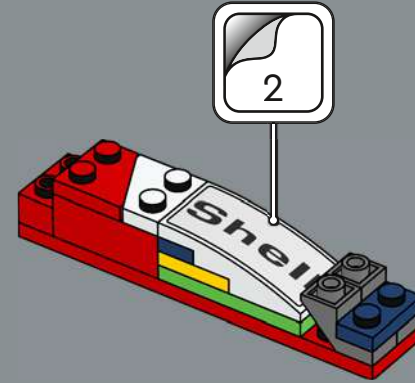




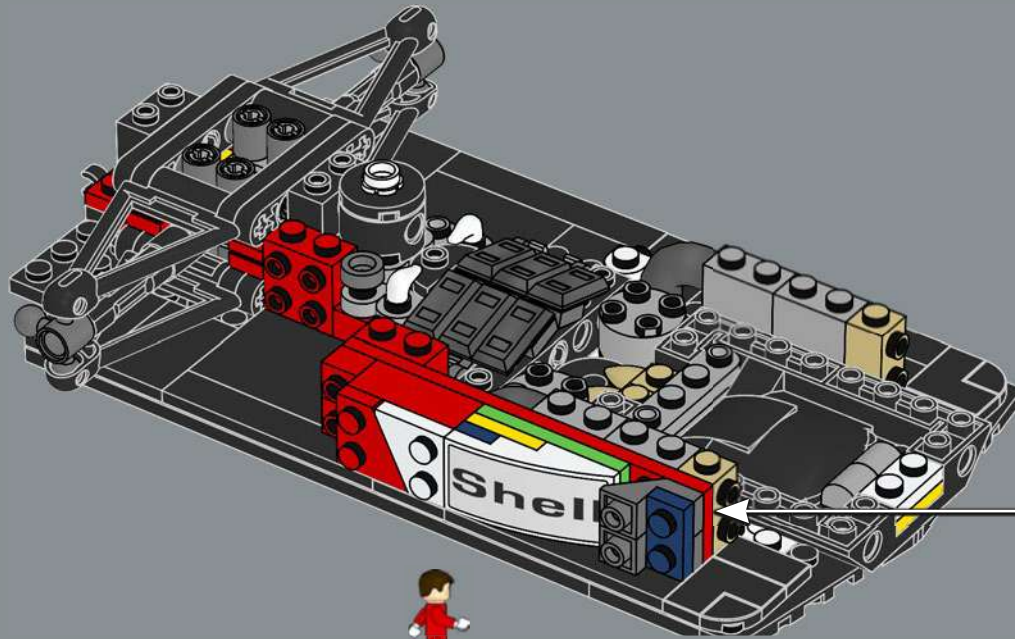
46

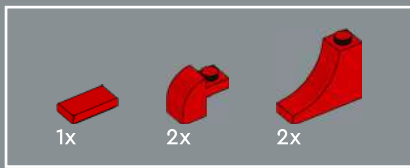


47

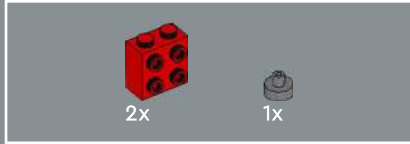
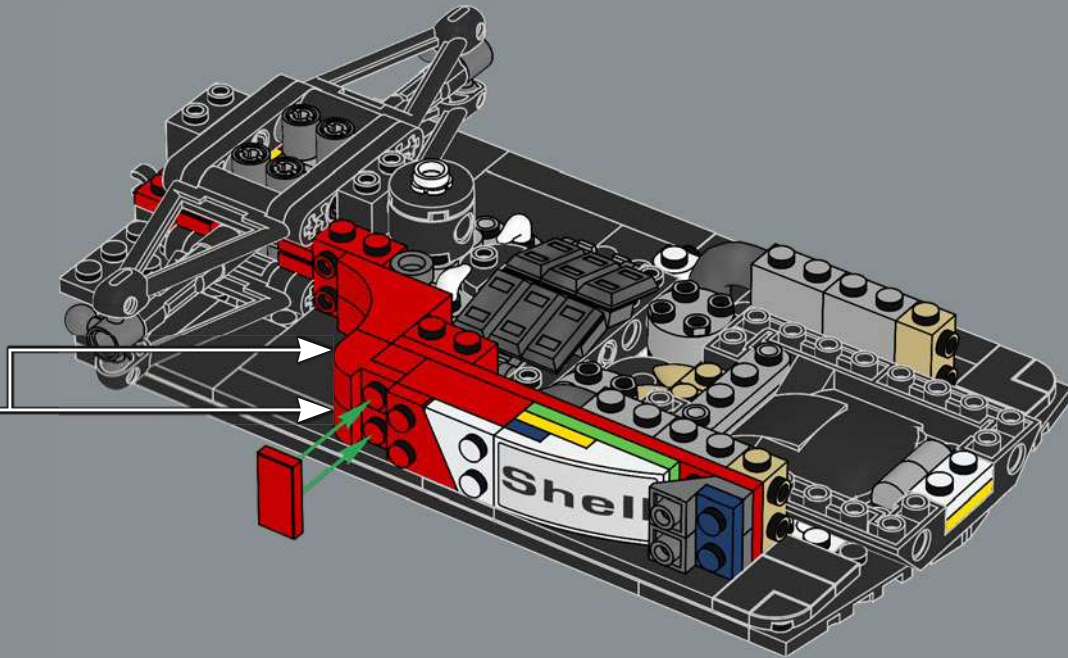
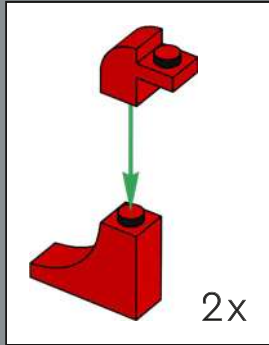


48

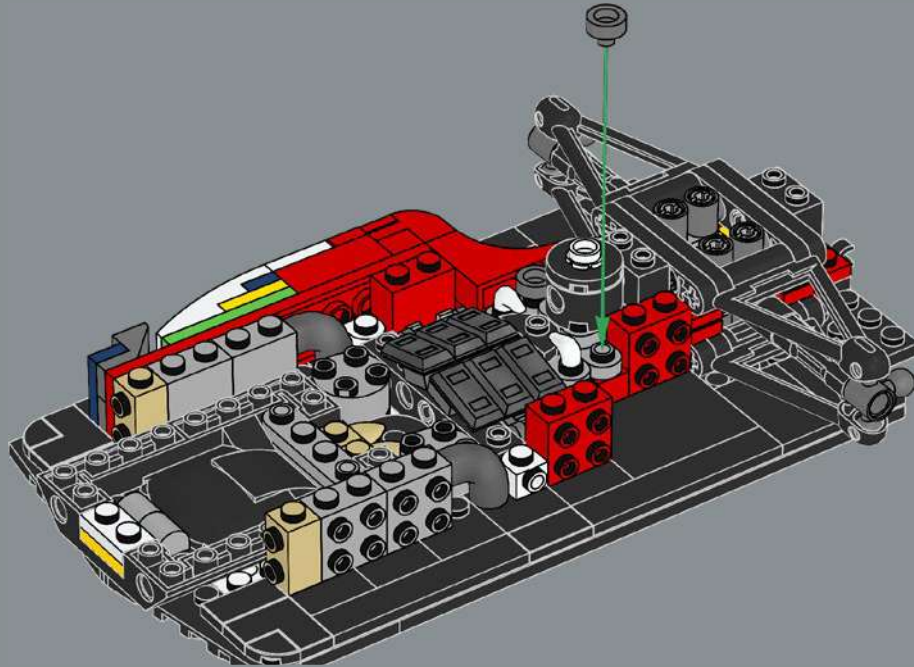




49

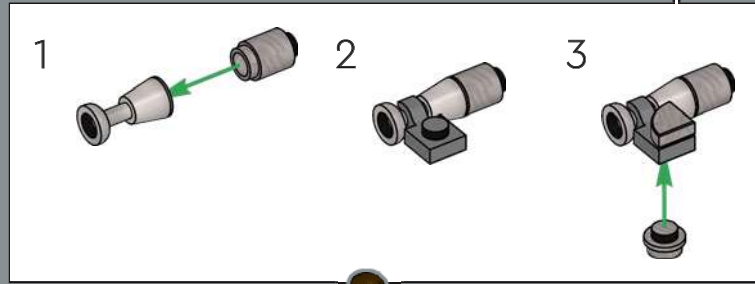
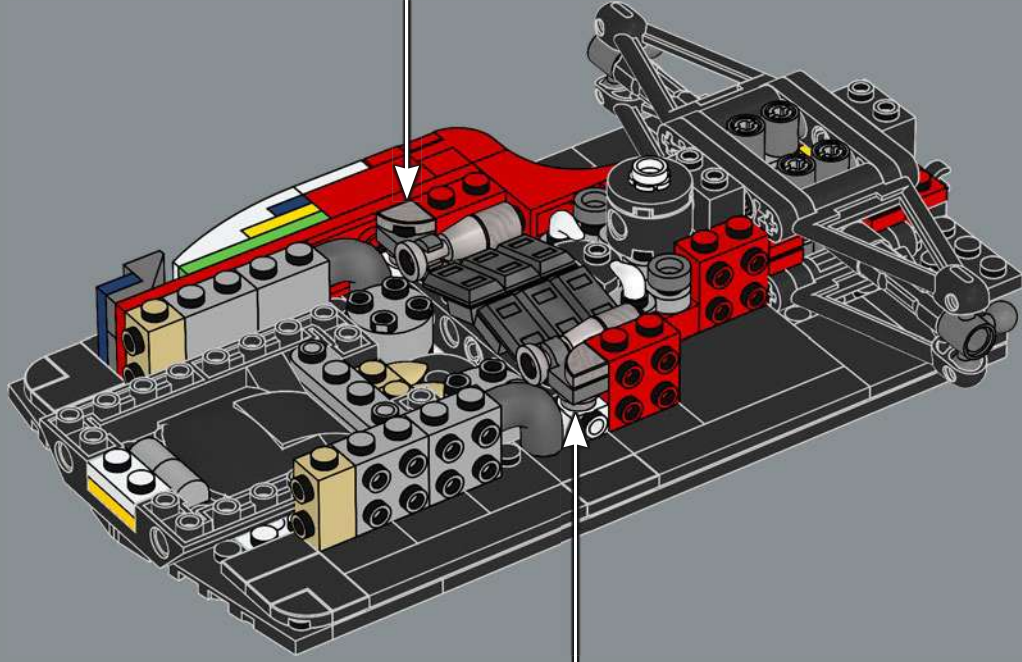
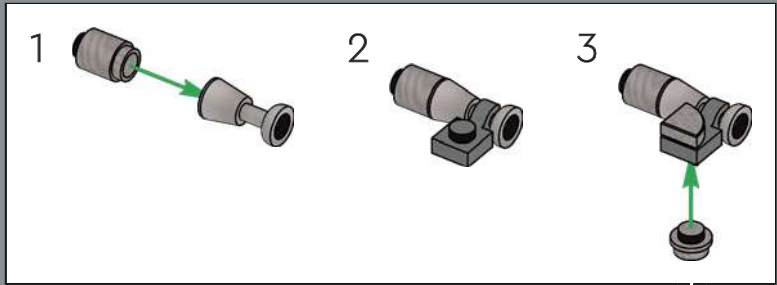


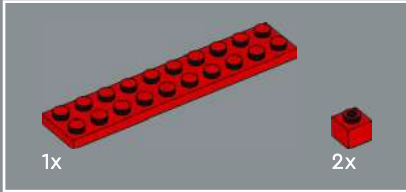
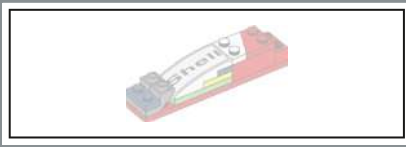
50



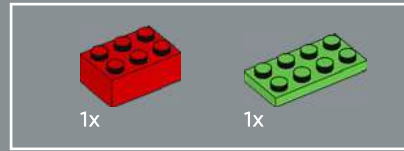
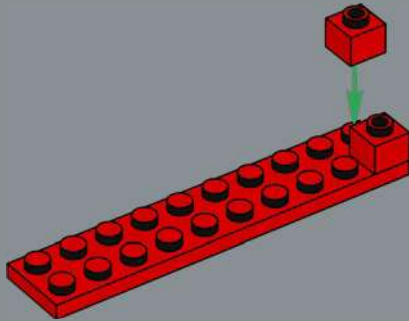


51

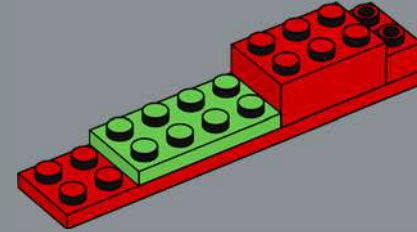




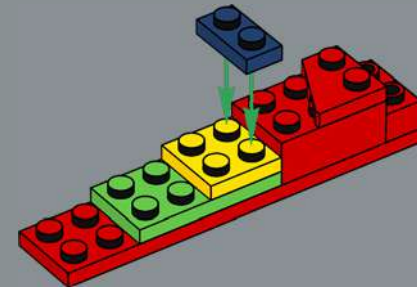
52

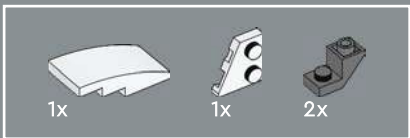


53

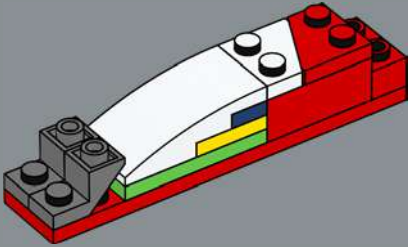


54

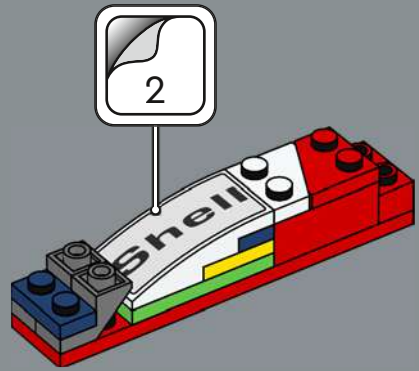




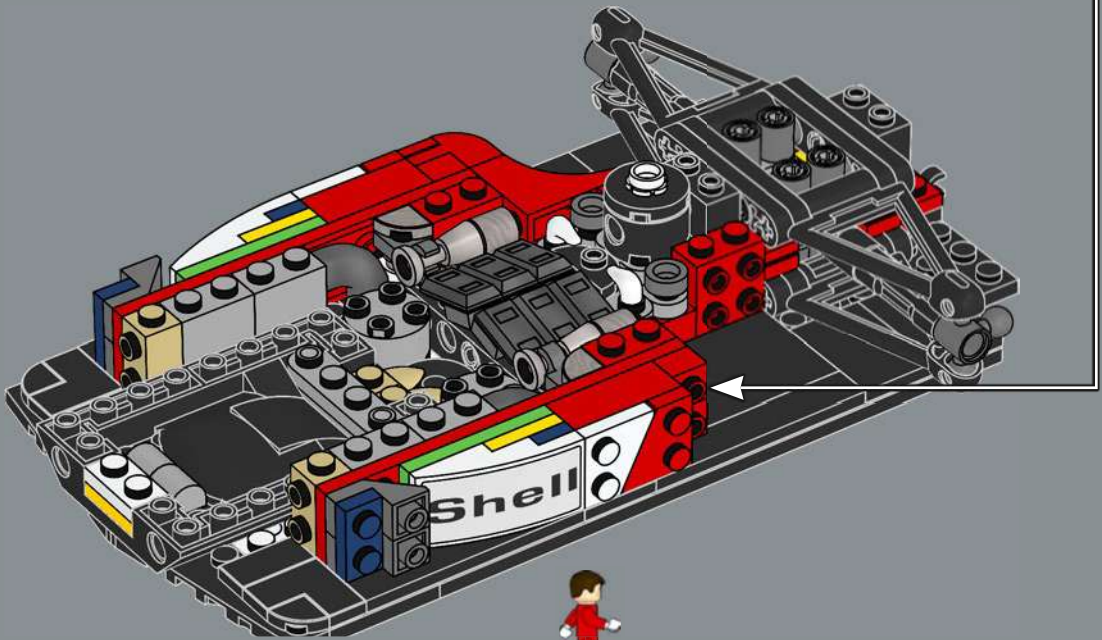
55

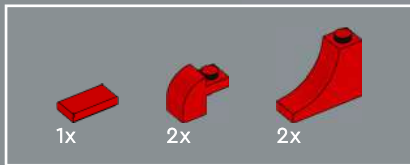


56

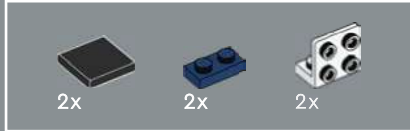
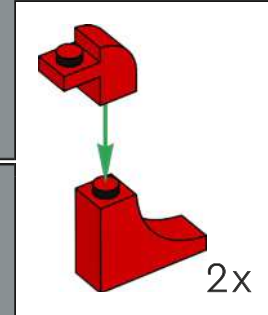
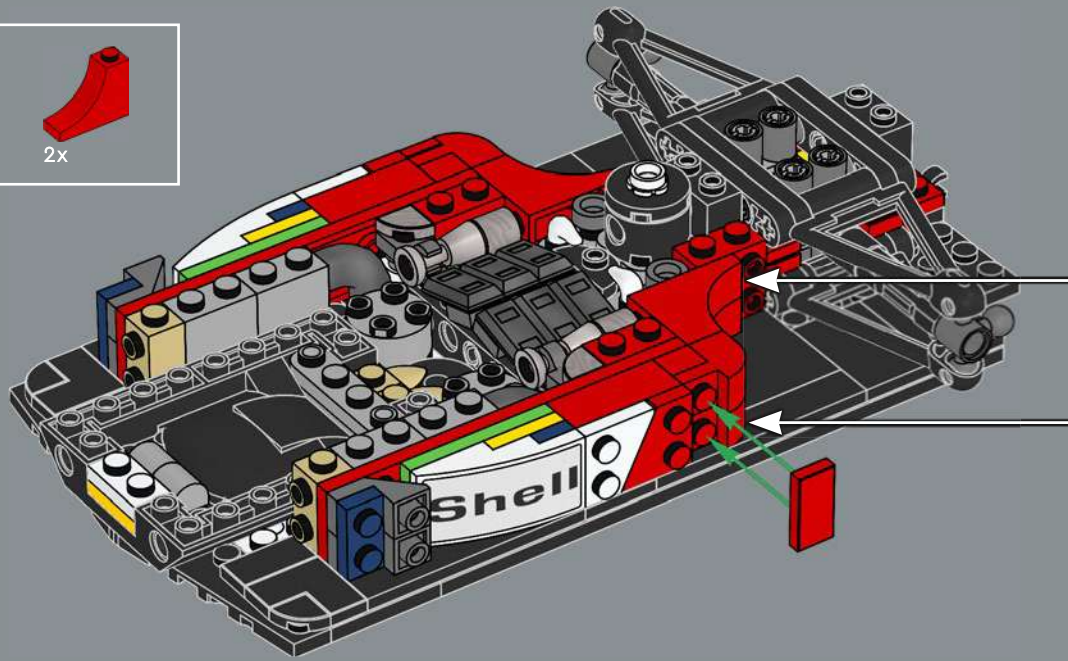


57

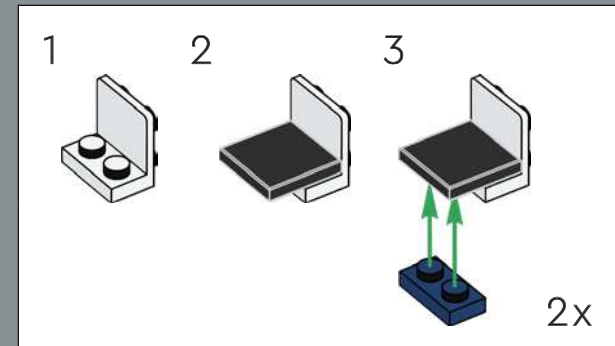
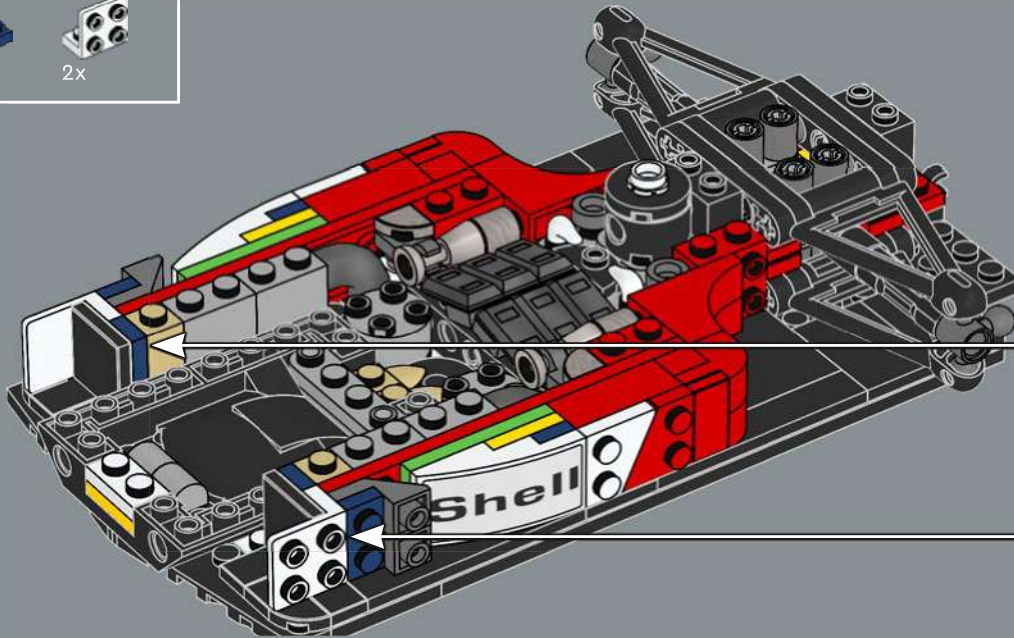




58

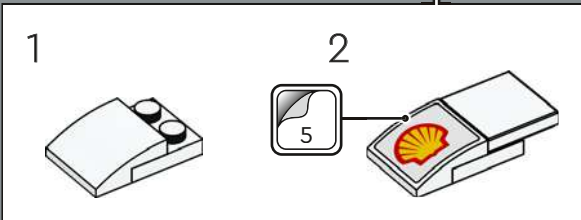
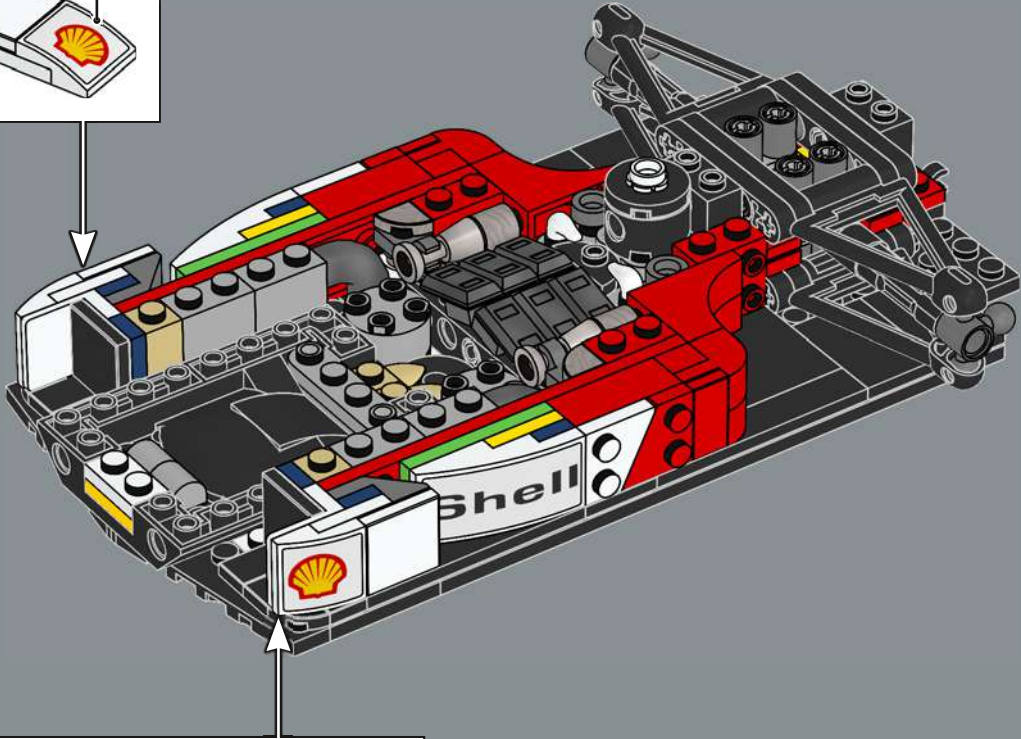
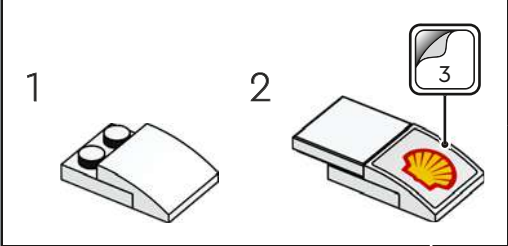


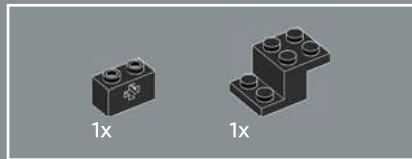
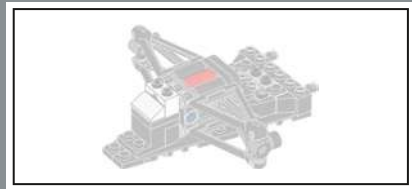
59



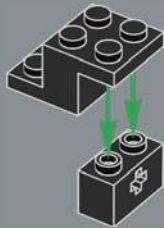


60

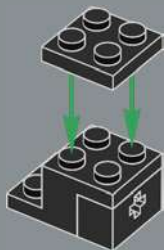




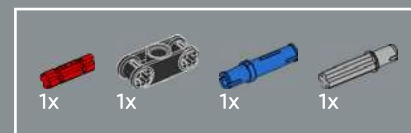
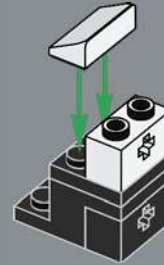
61



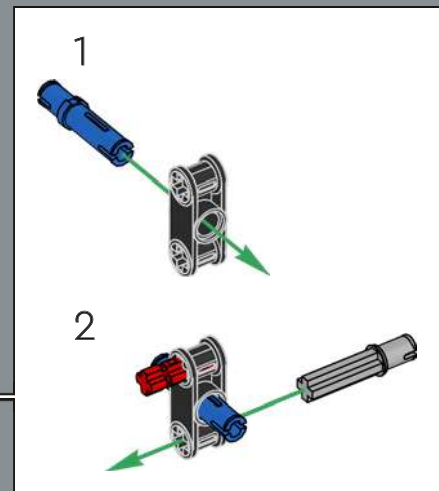
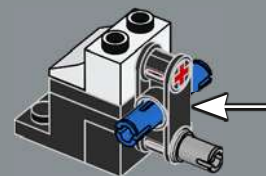
62



63

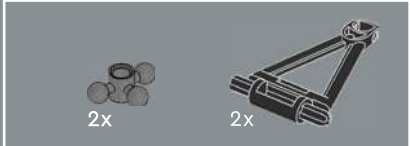
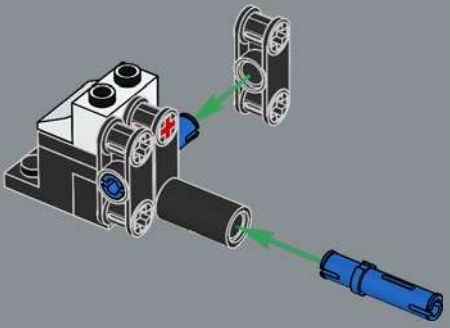


64

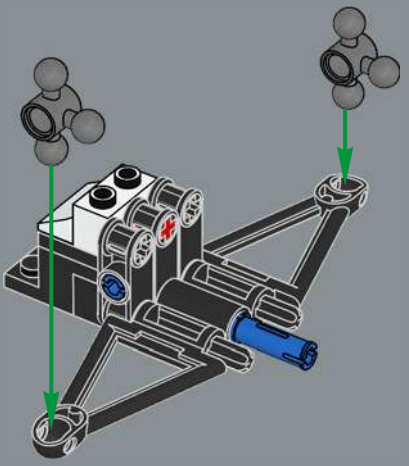




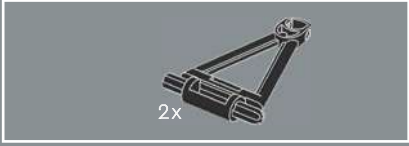
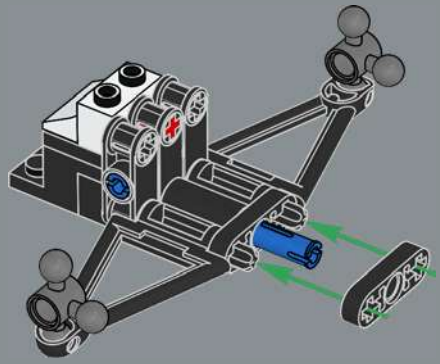
65



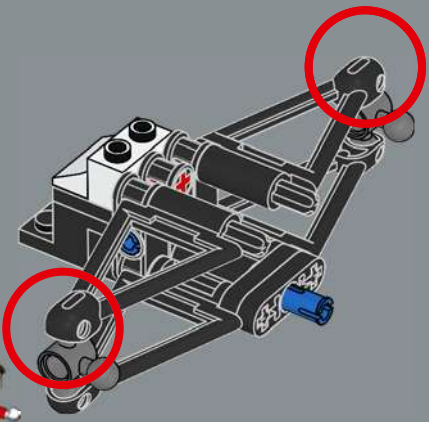
66

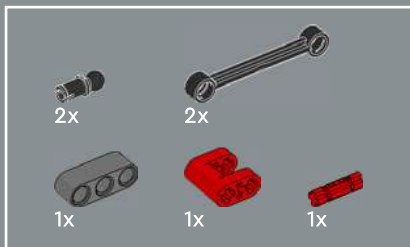


67

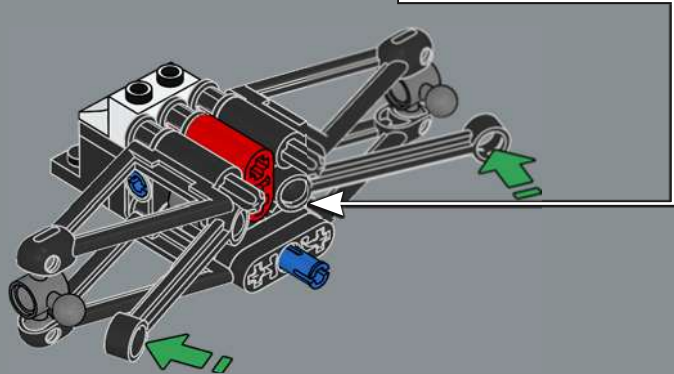
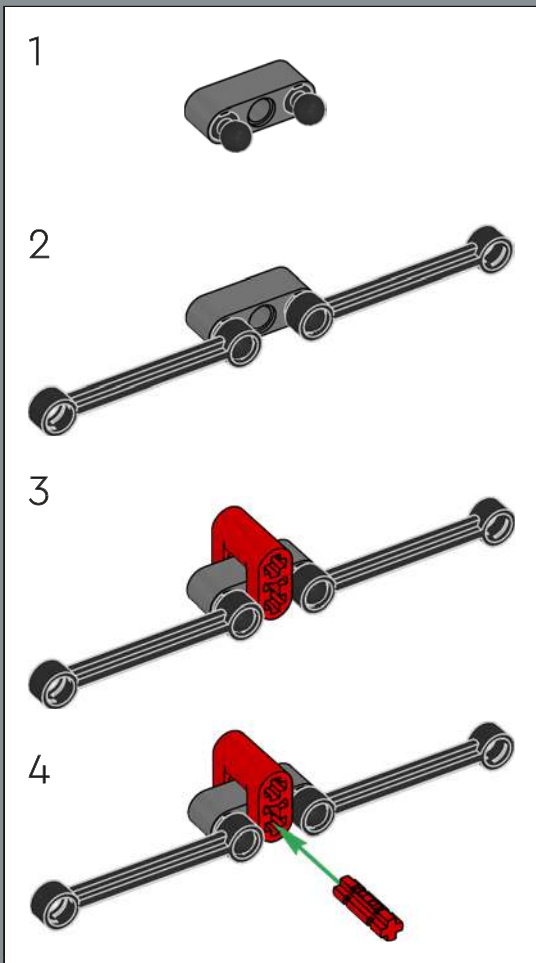


68

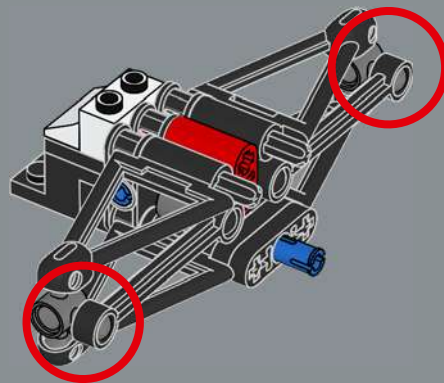




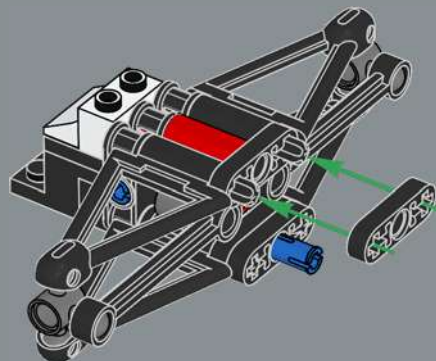
69

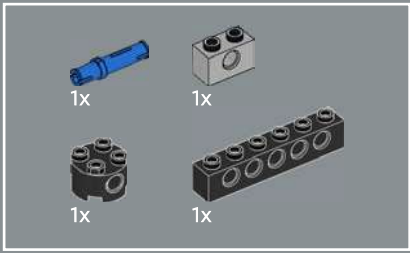


70

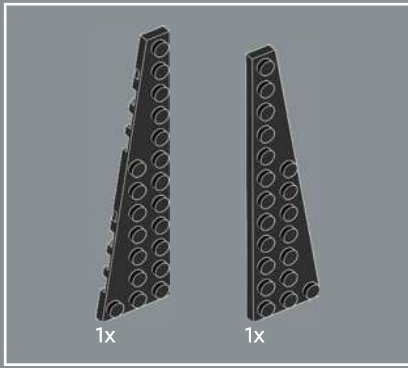
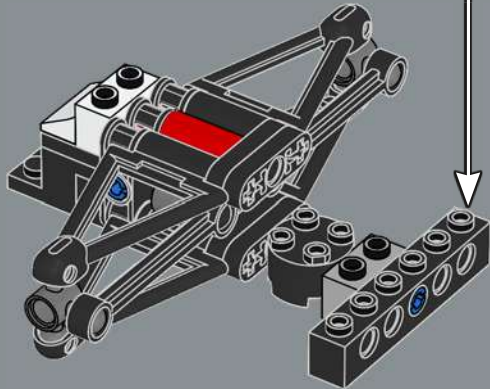
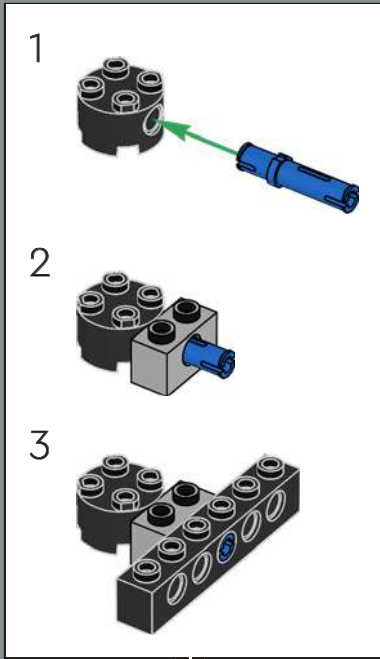


71

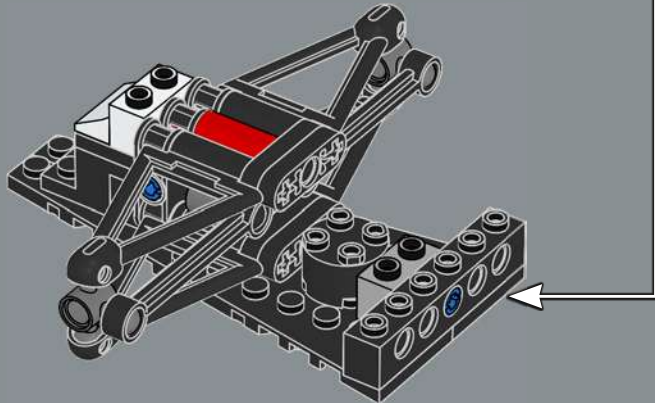
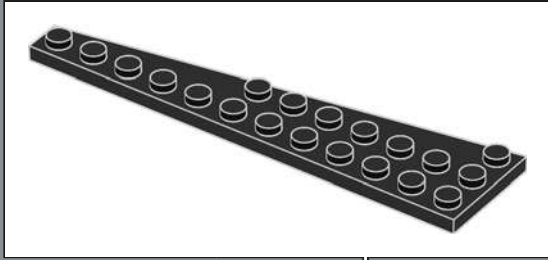


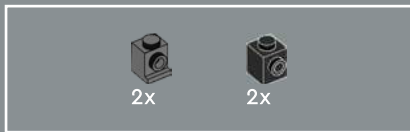


72

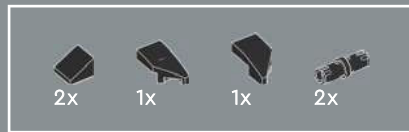
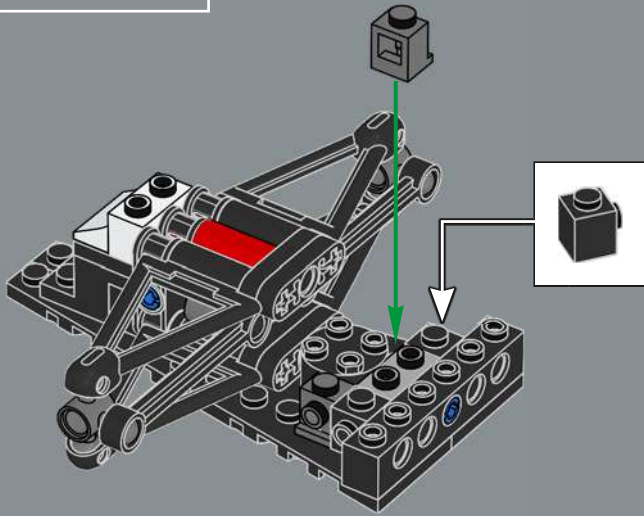


73

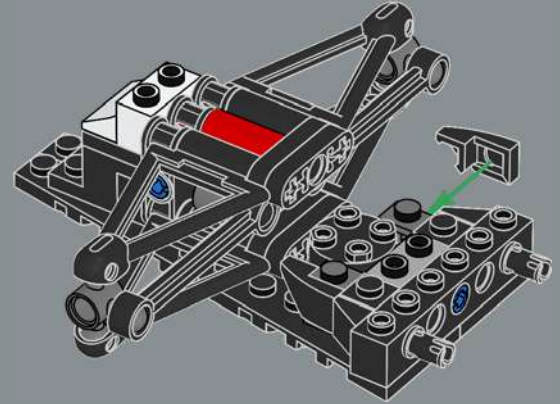




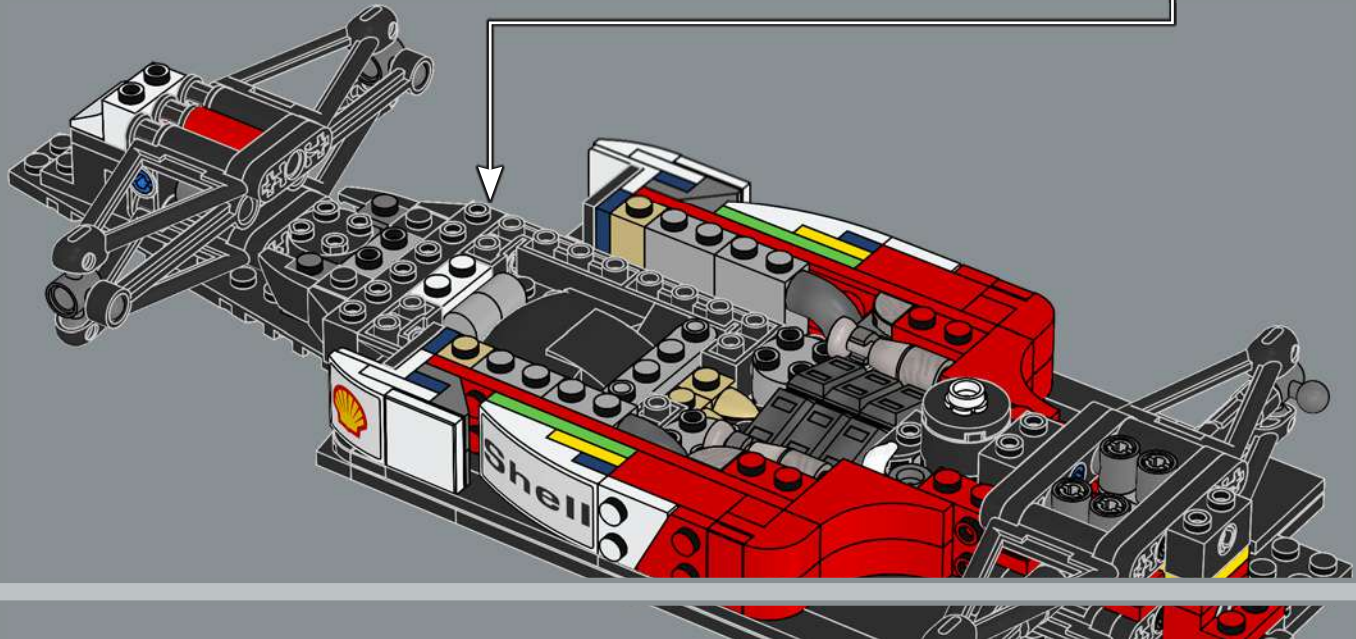
74



75

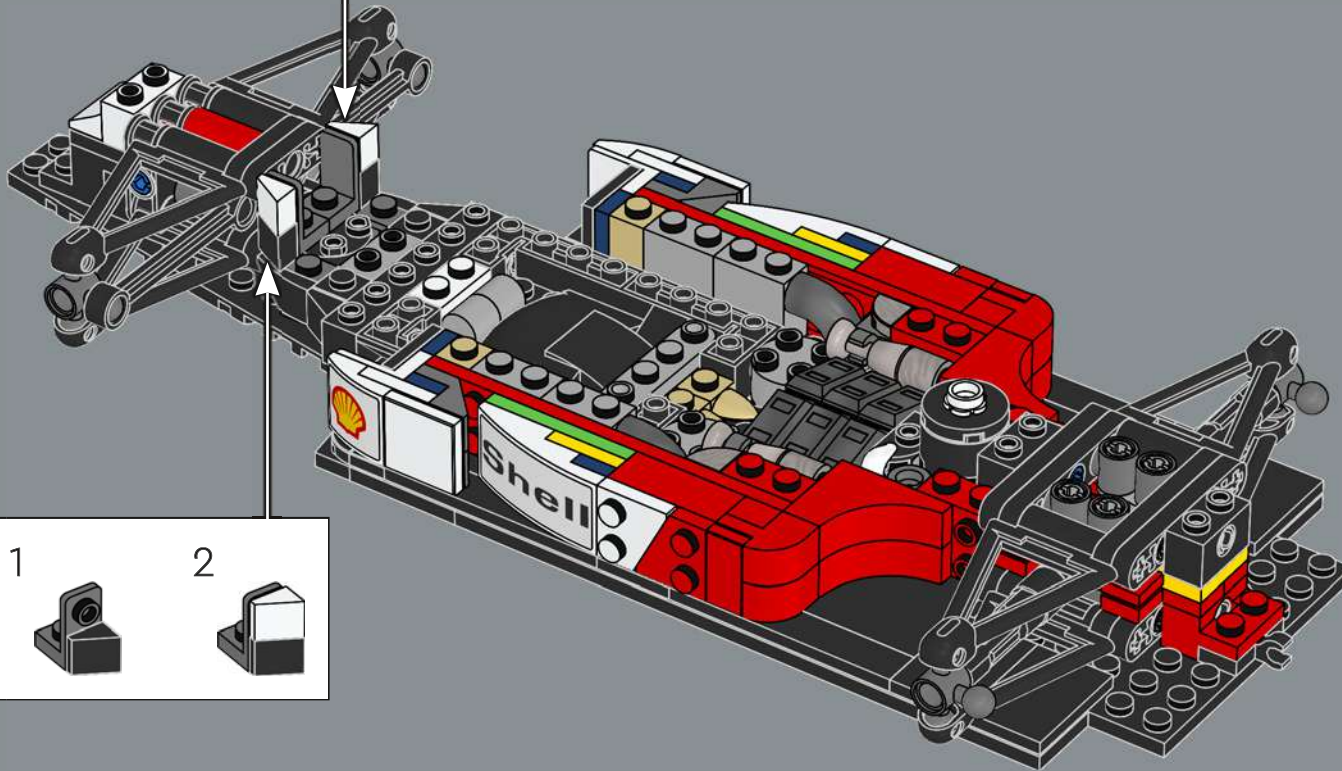
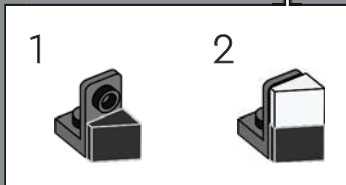
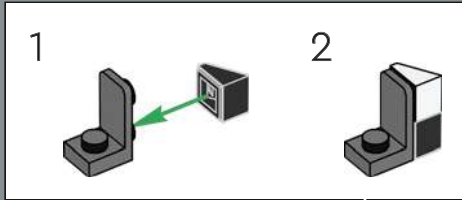


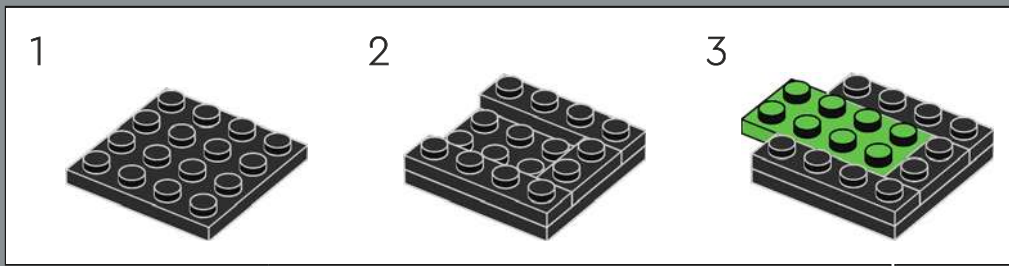
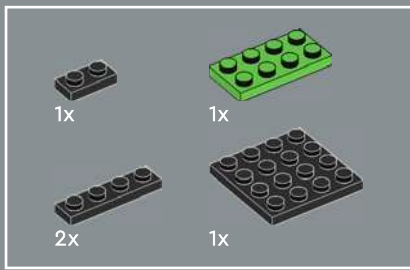
76



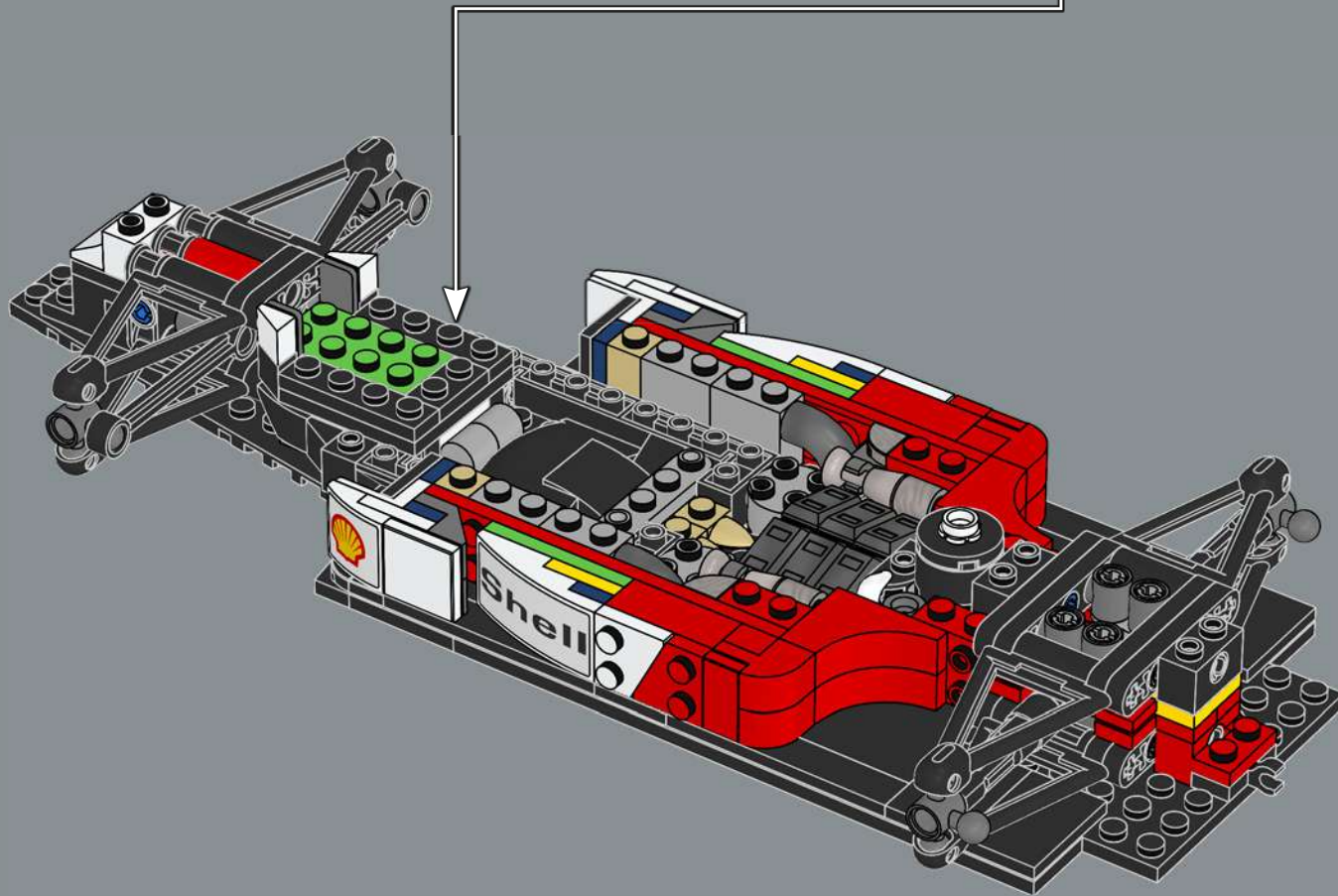


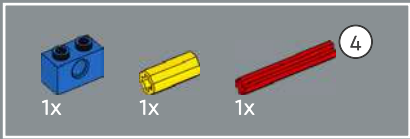
77



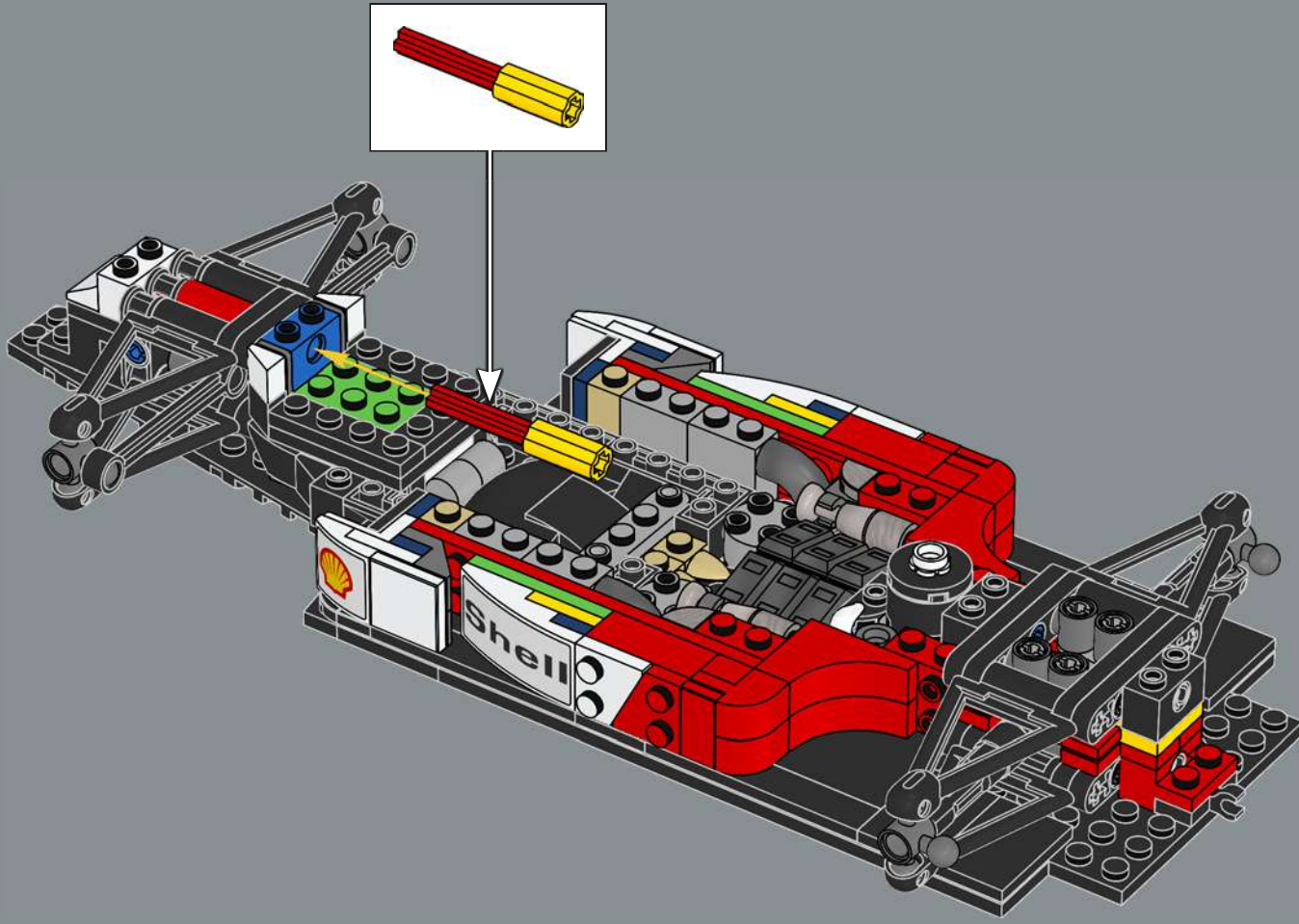


78



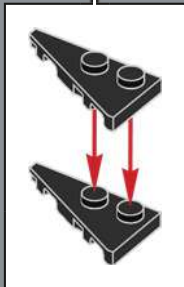
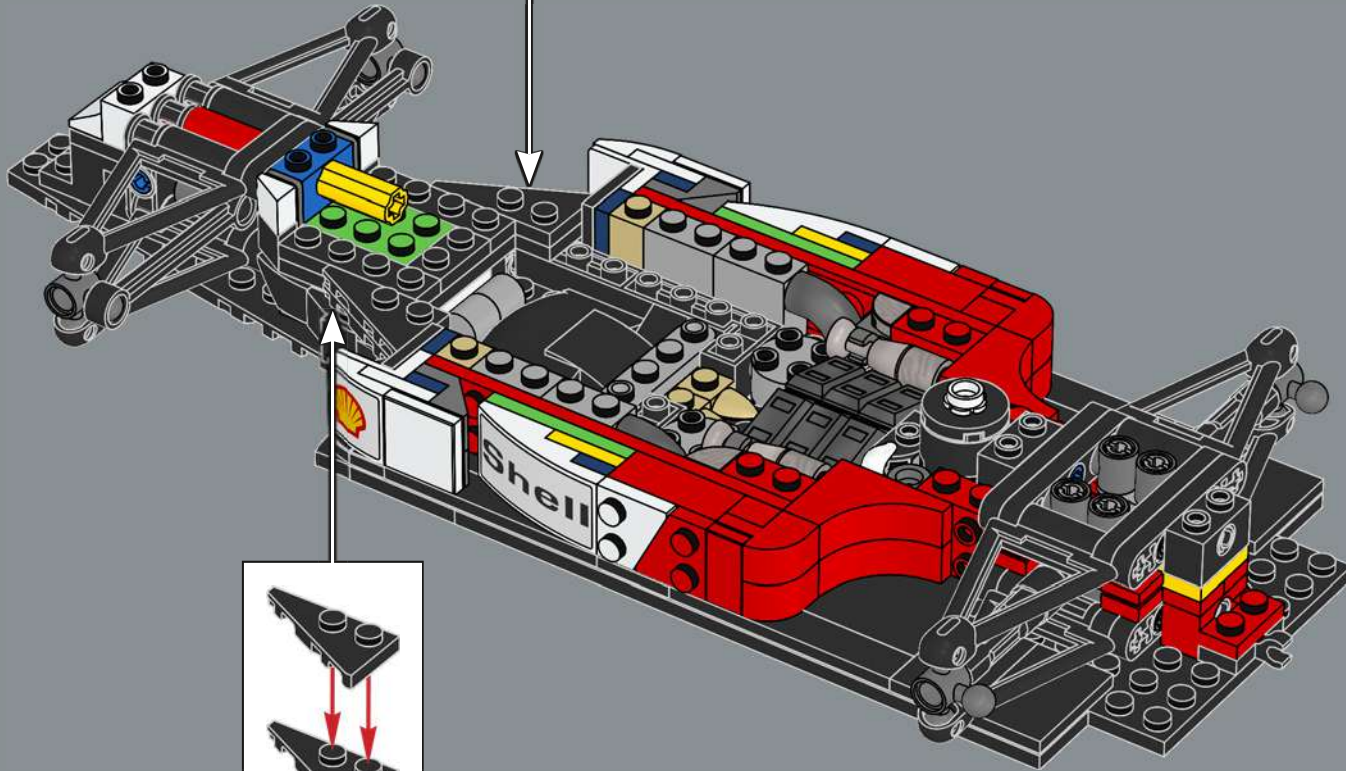
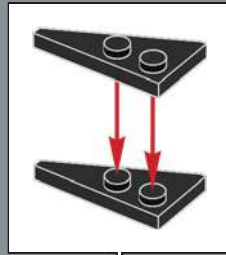


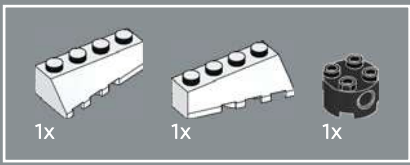
79



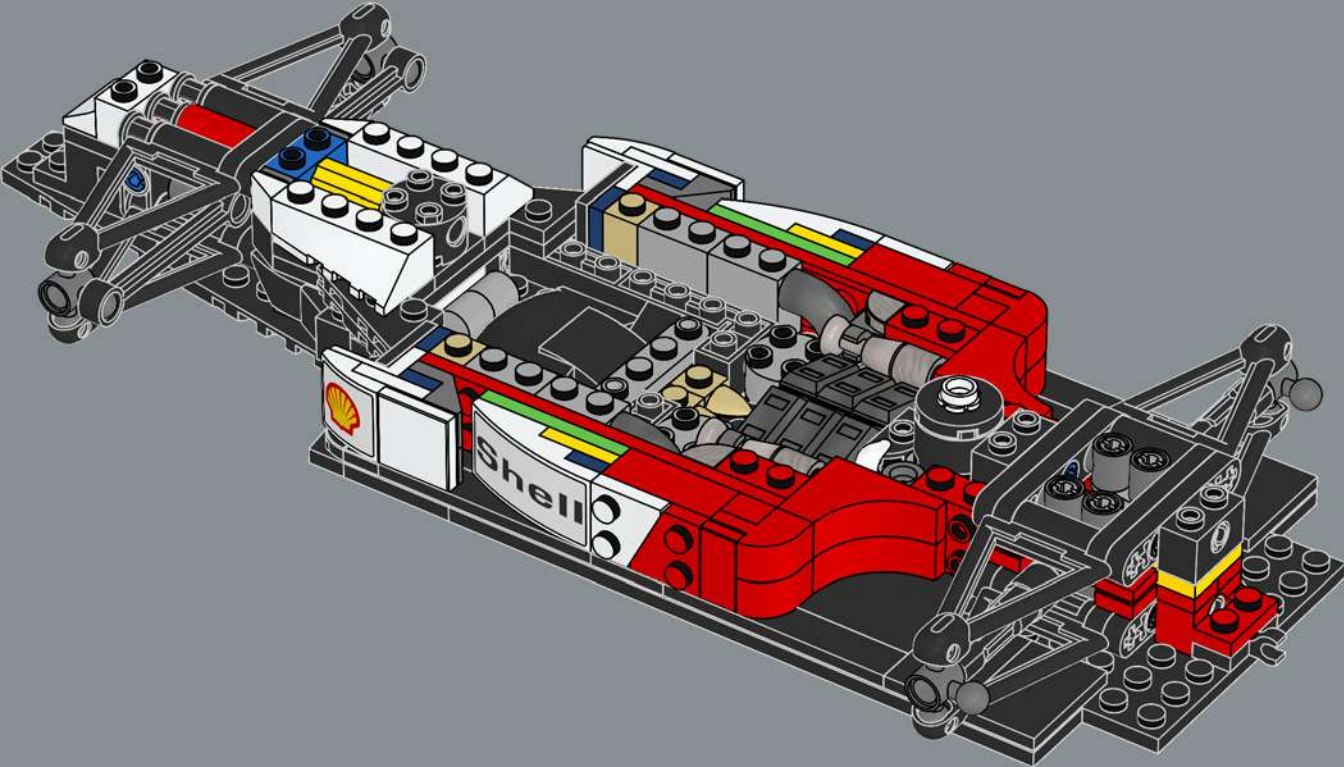


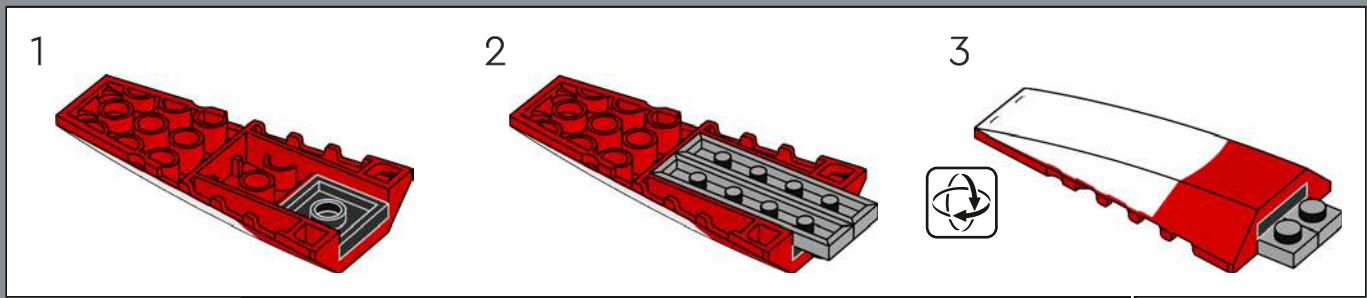
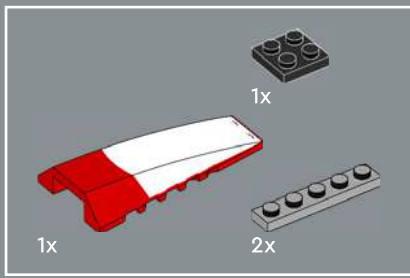
80



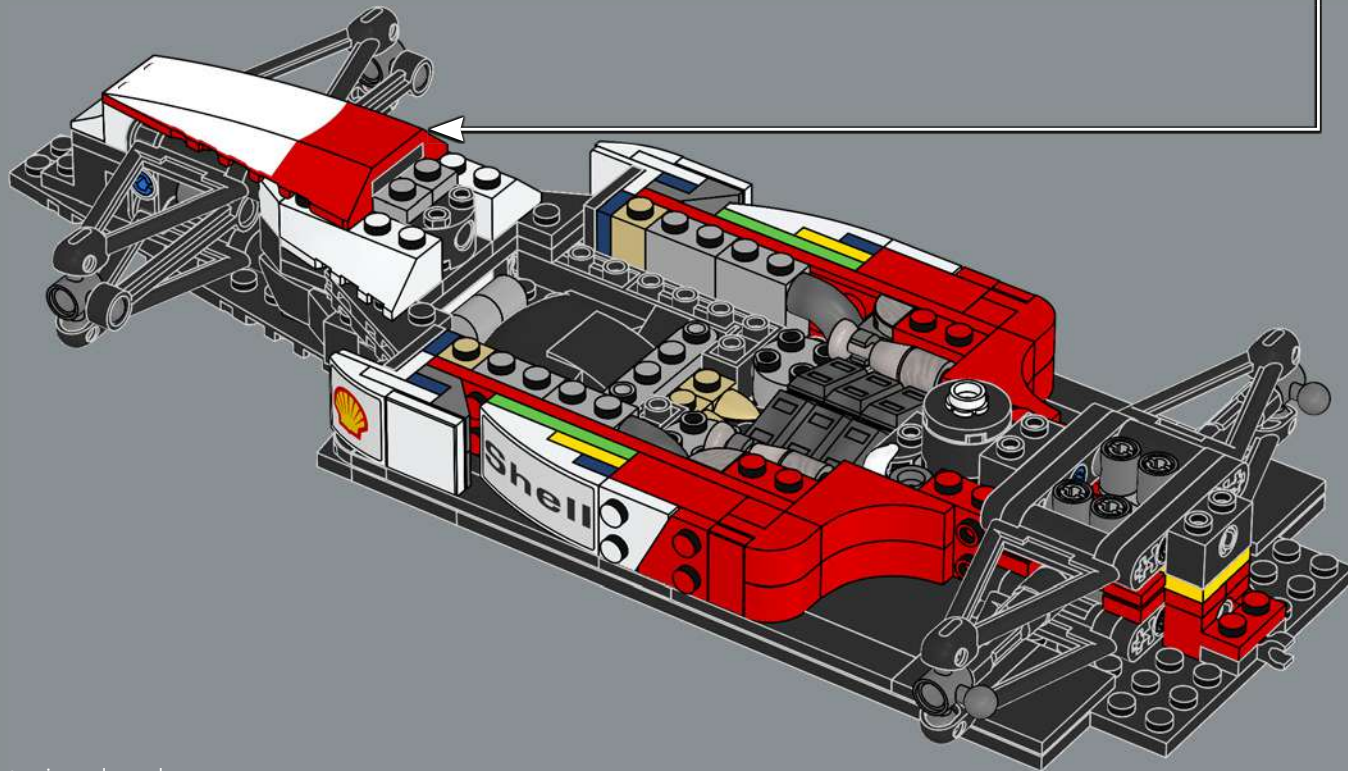


81





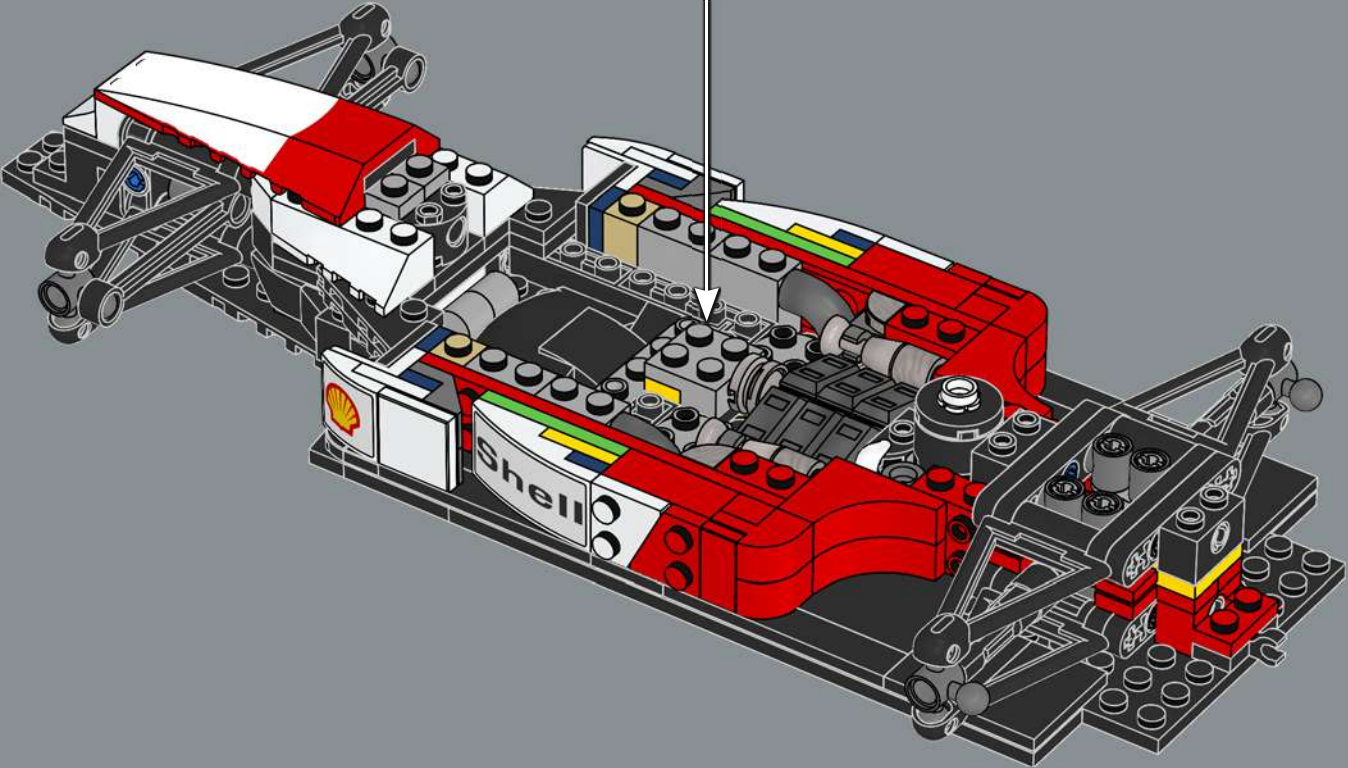
82



A new nose element locks the steering column down and provides strength to the model.

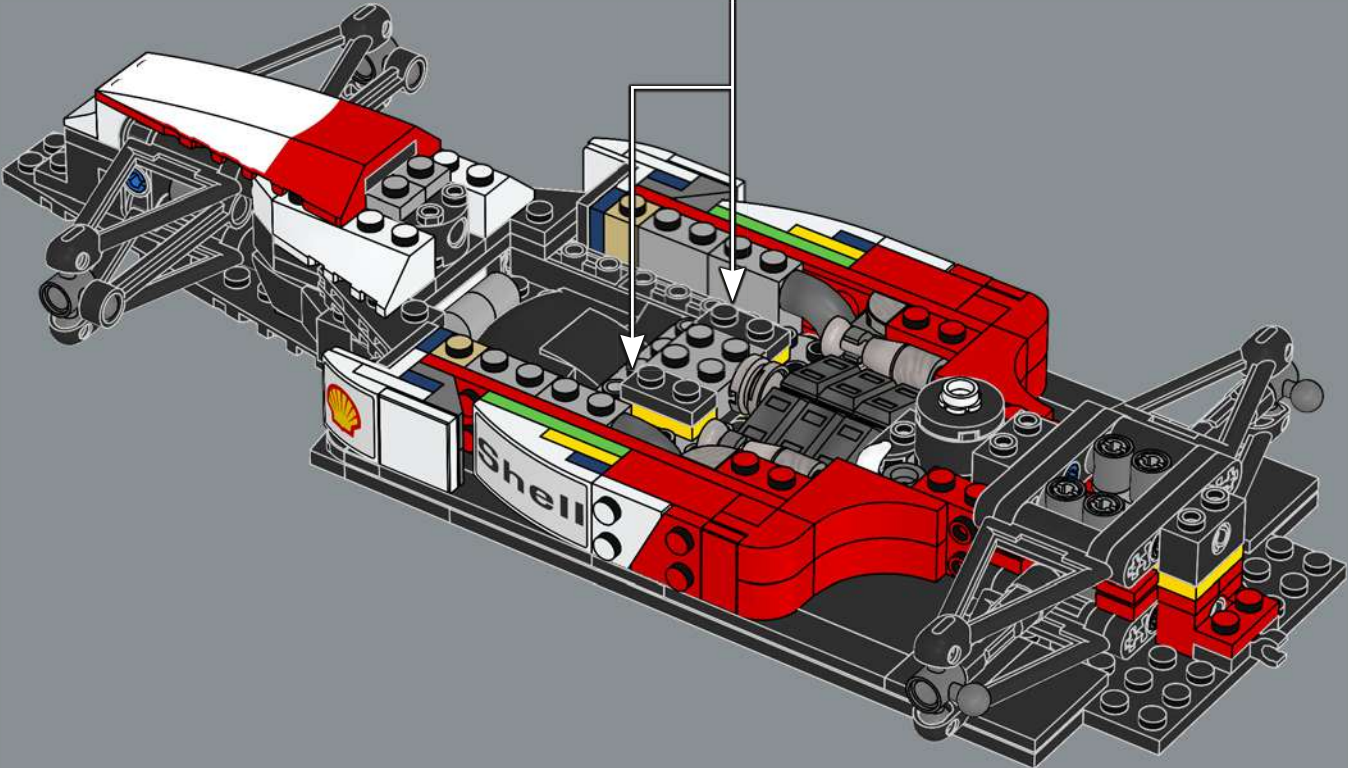
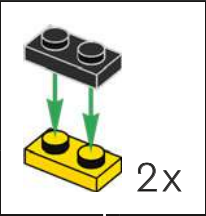


83





84



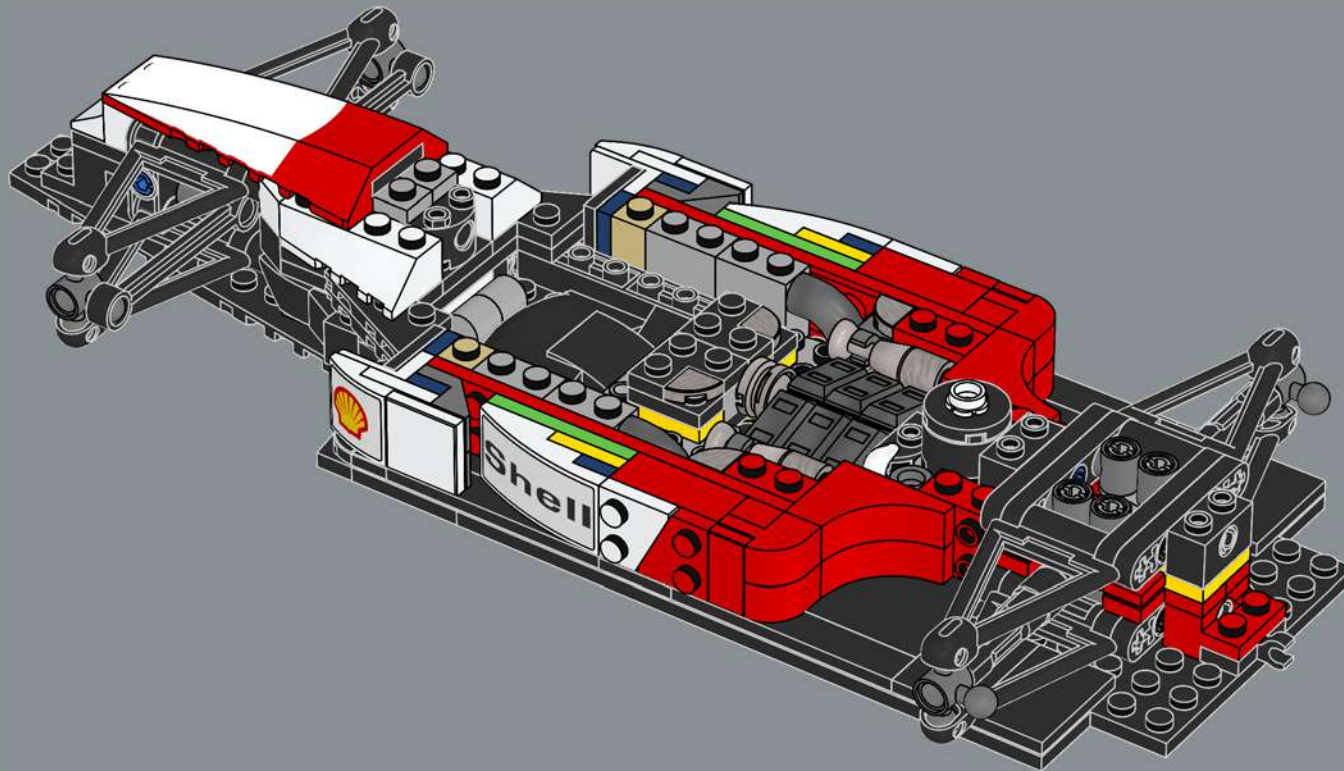


2x



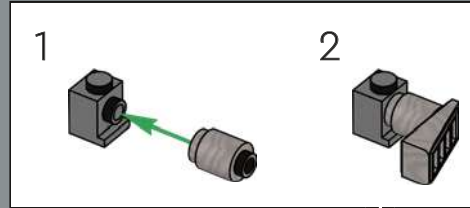
2x

85

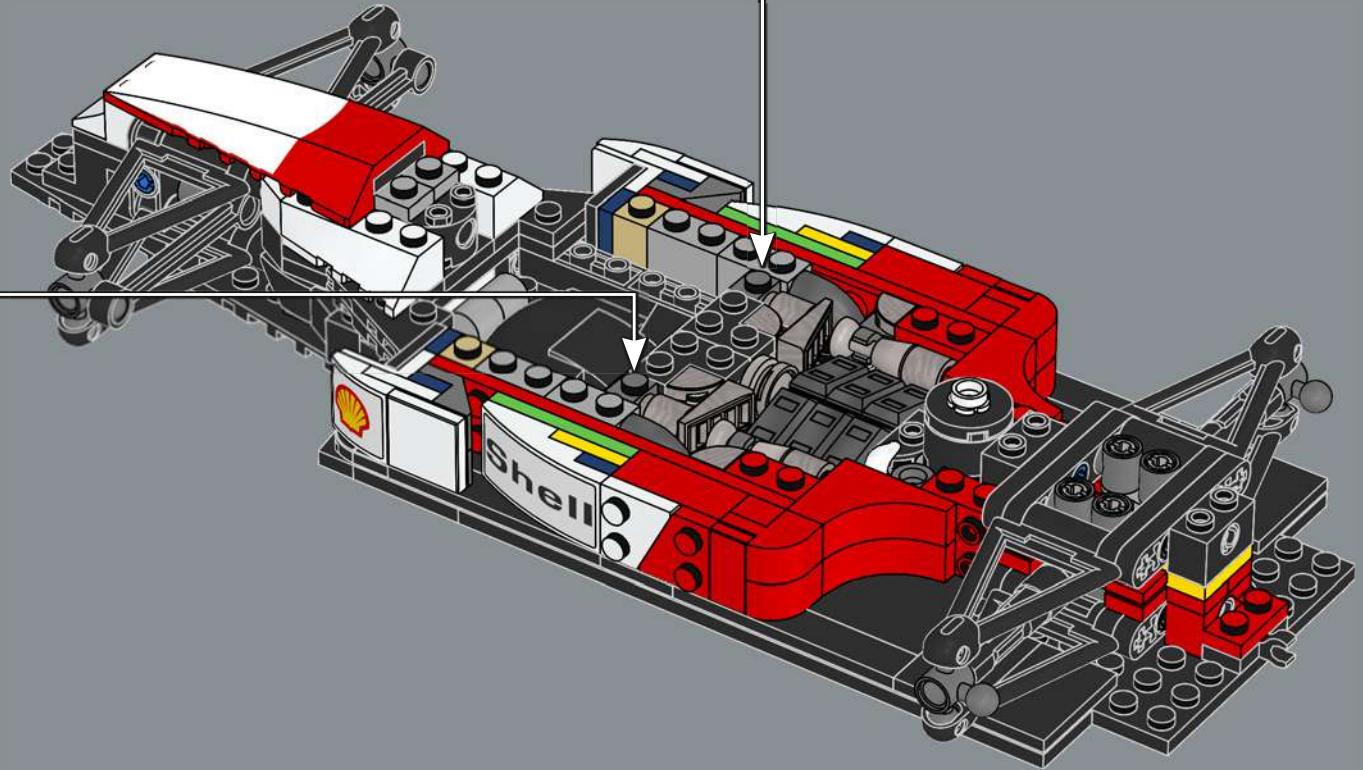
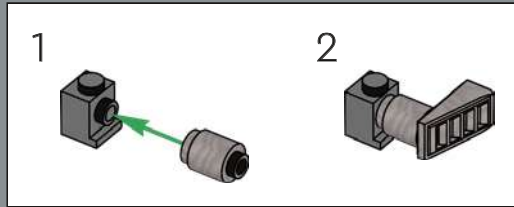


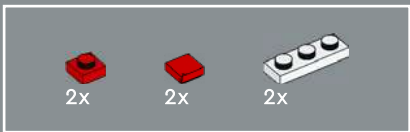


86

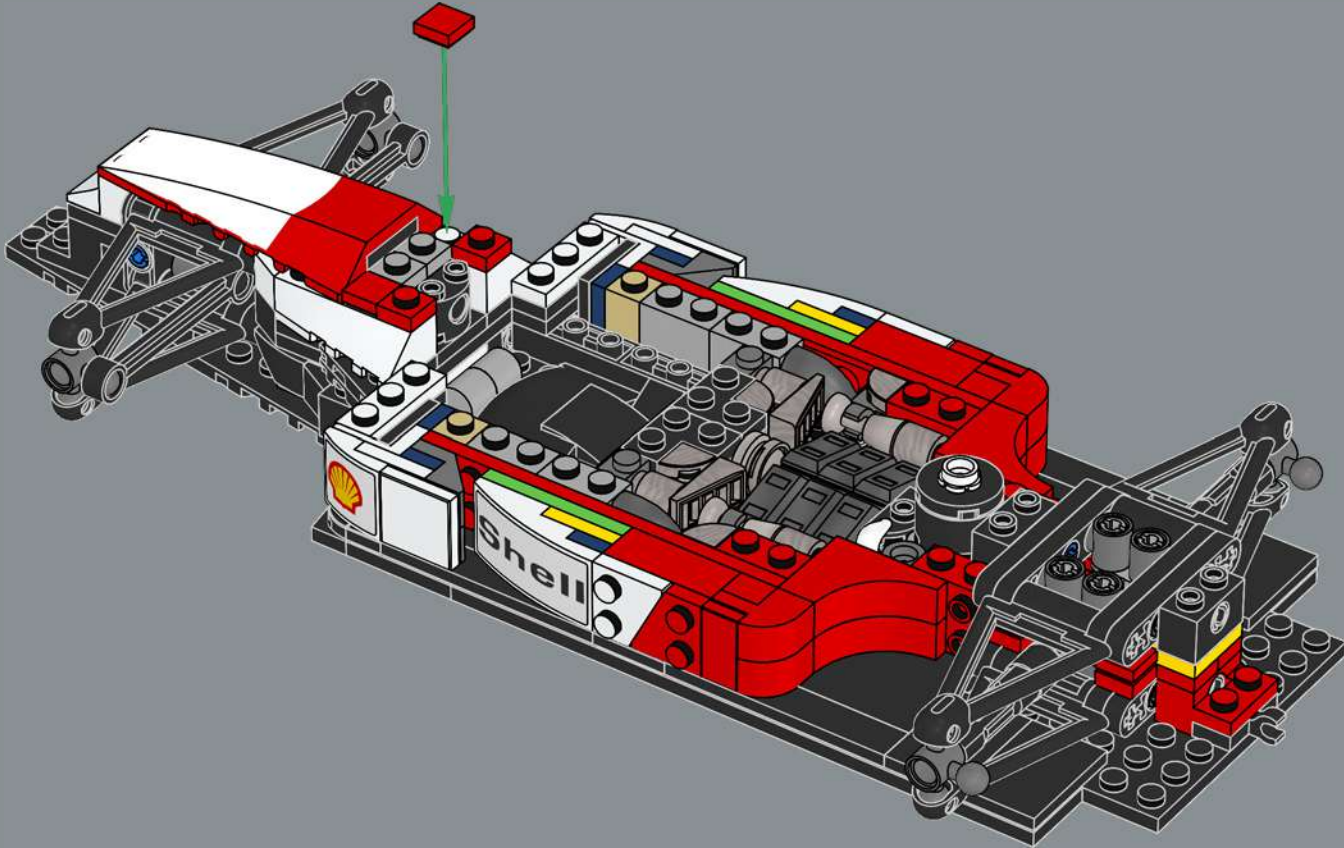


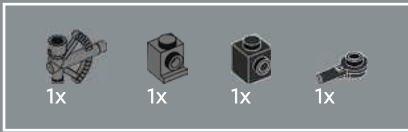
2



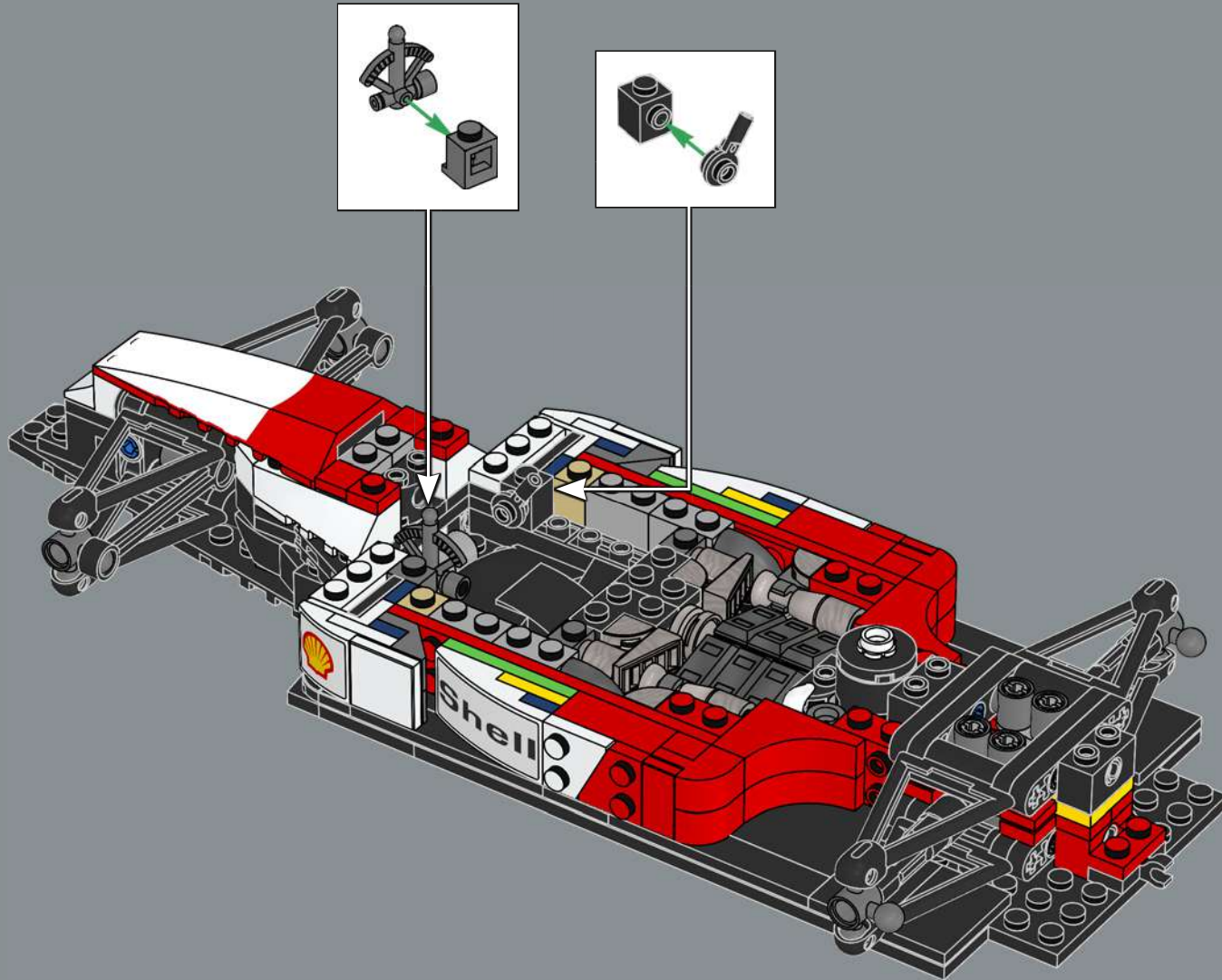


87



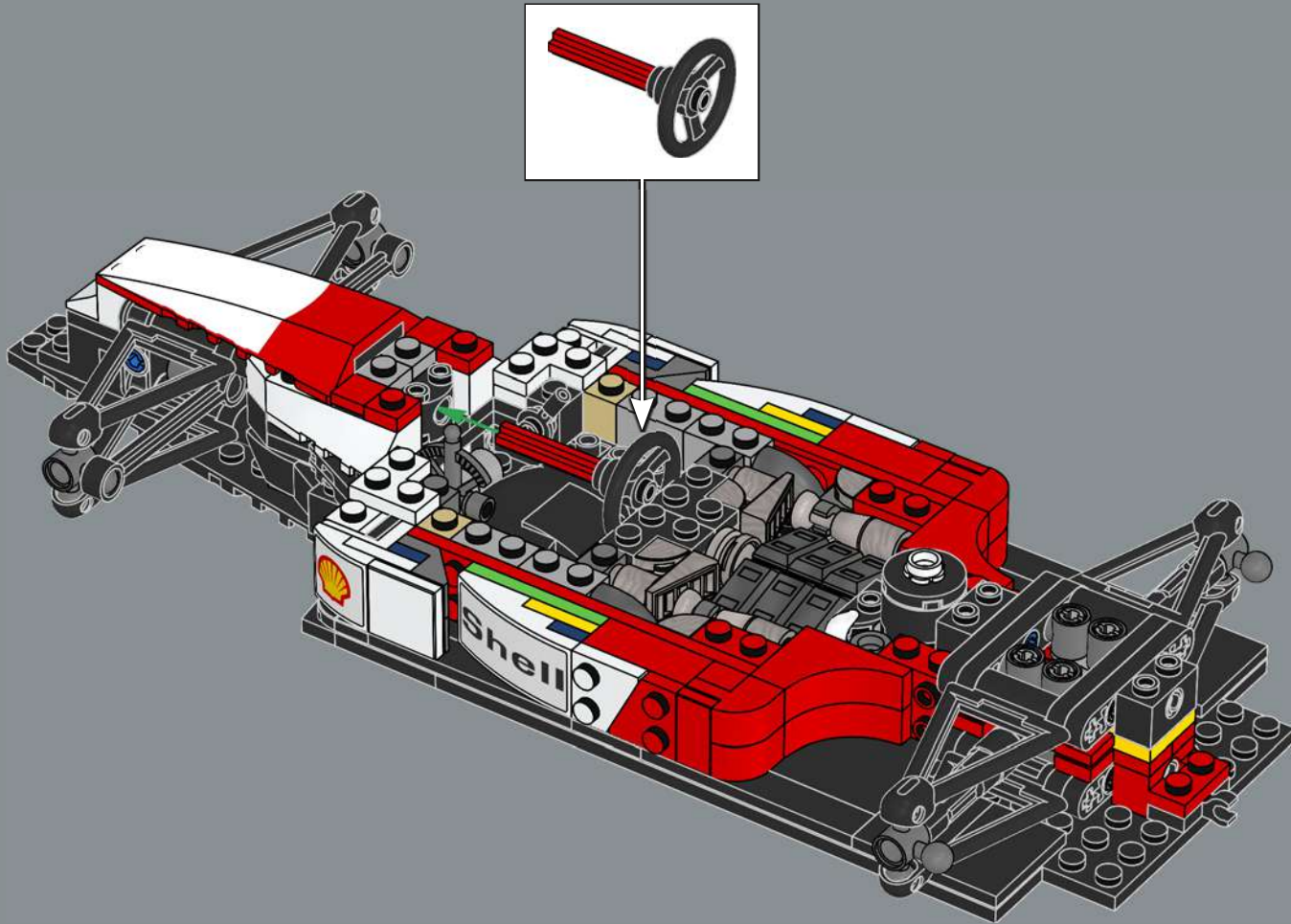


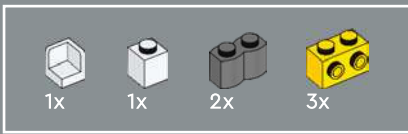
88



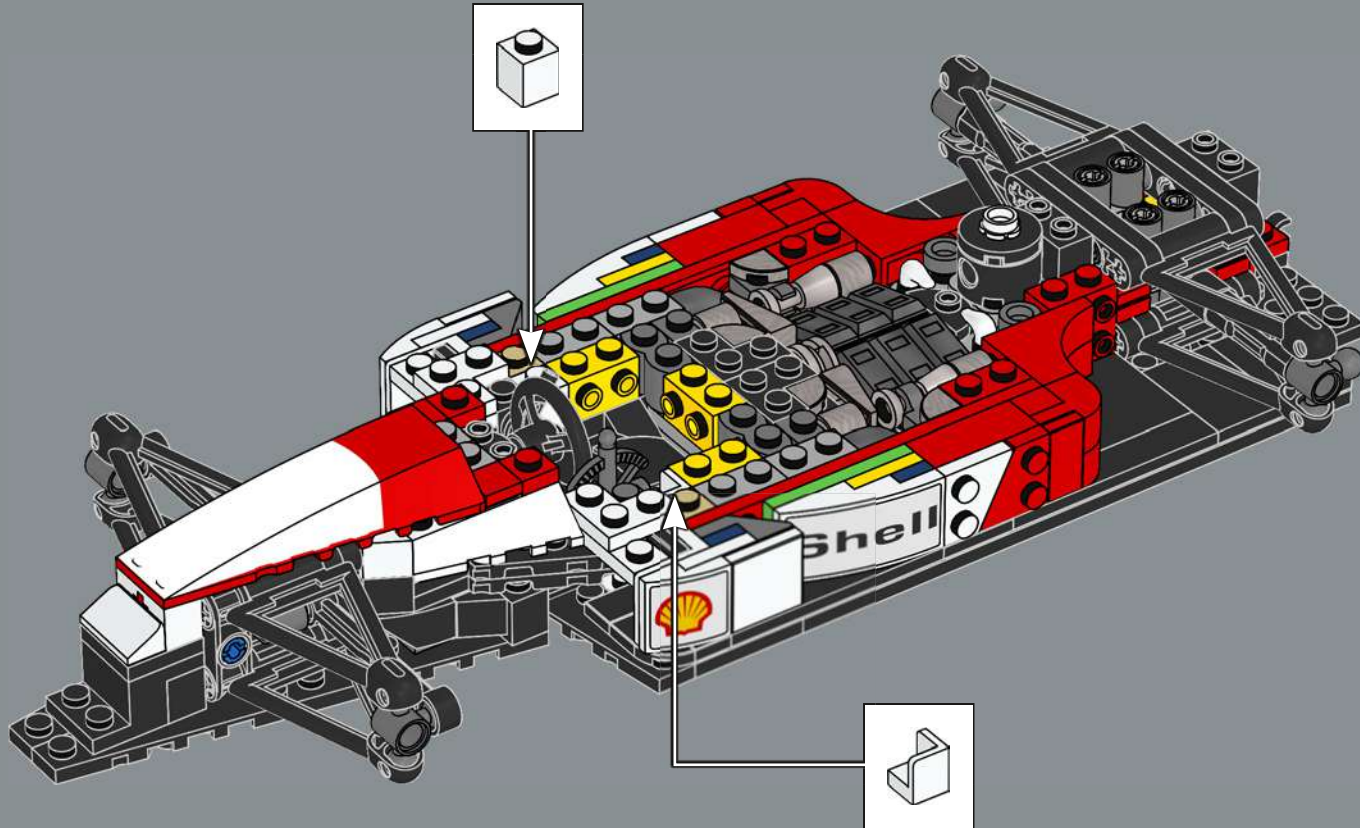


89



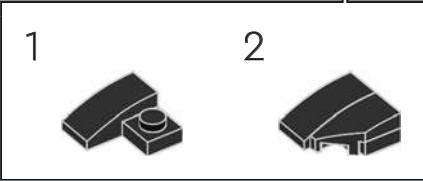
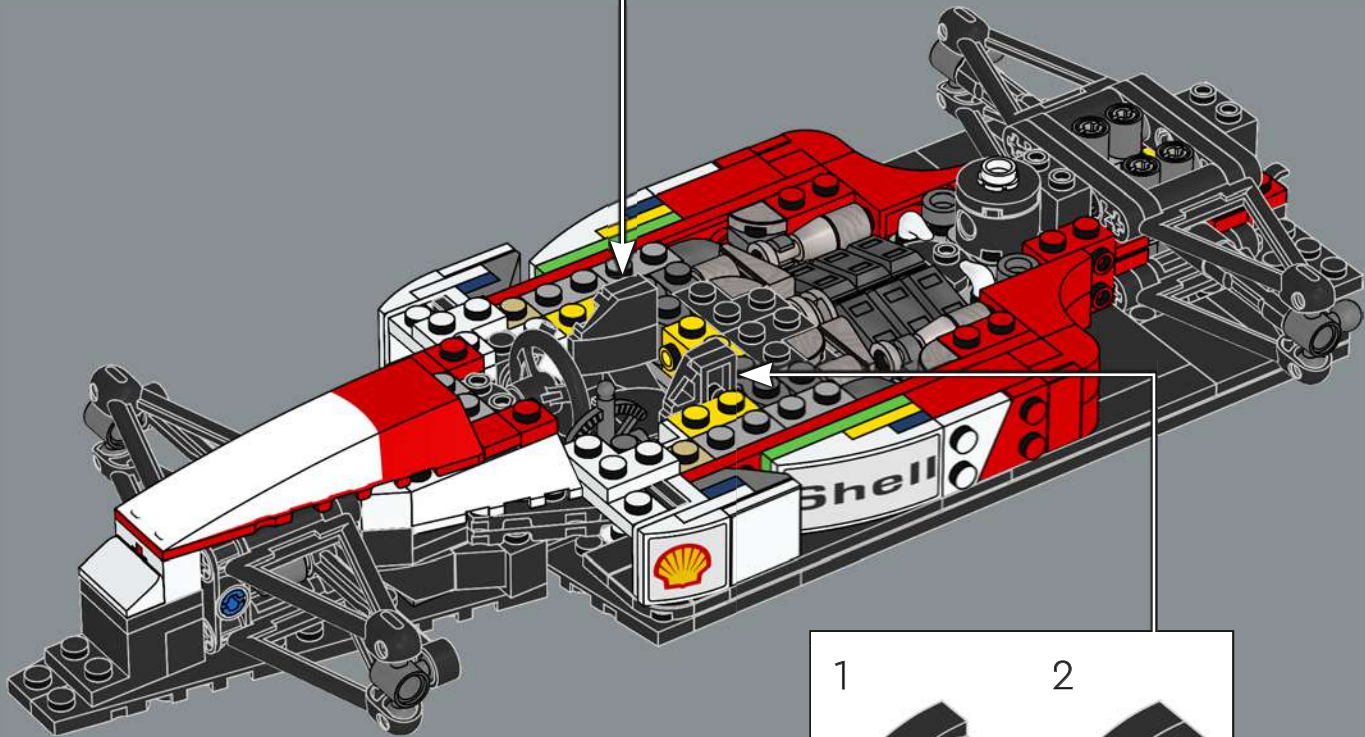
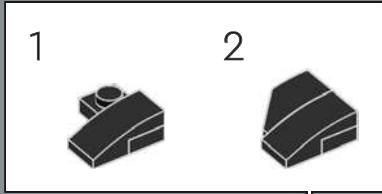


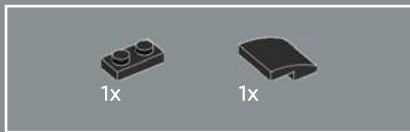
90



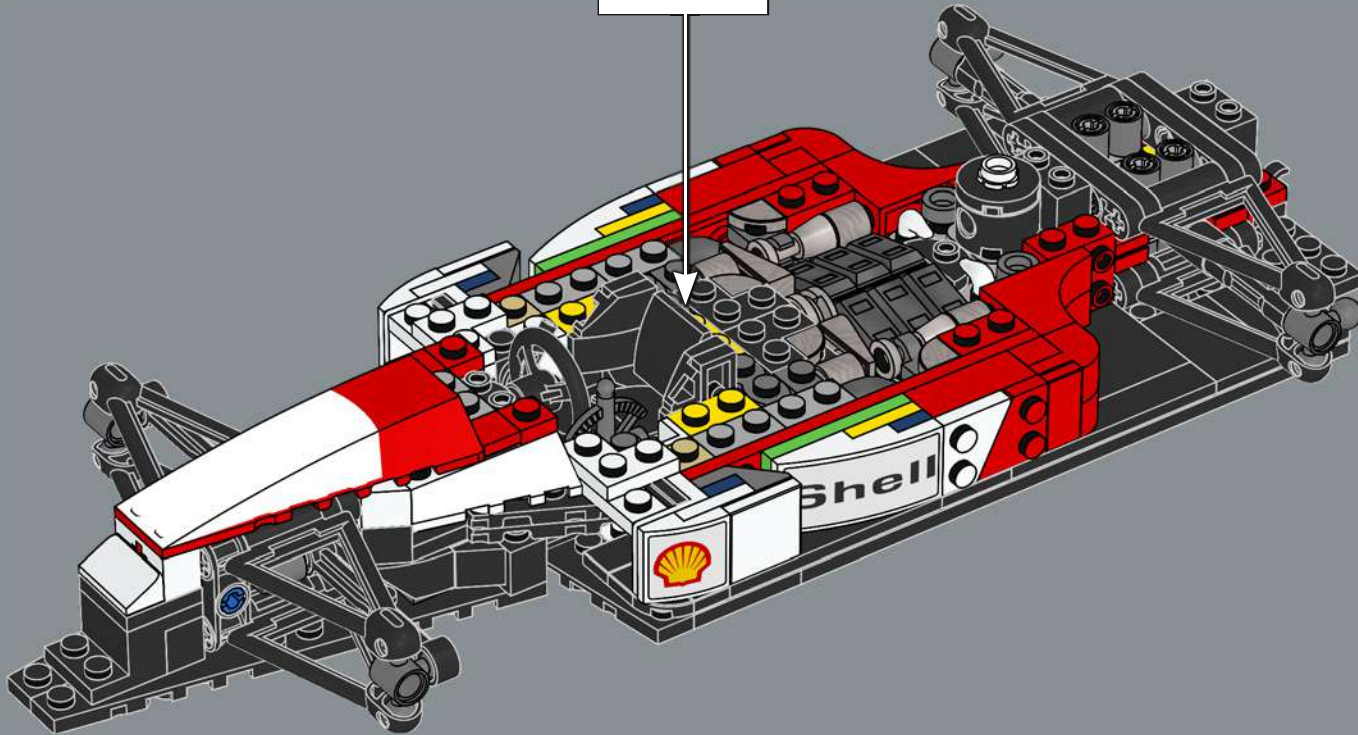
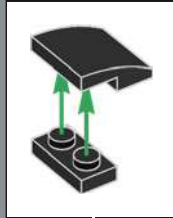


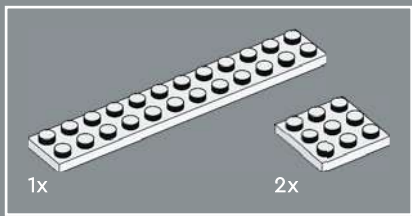
91



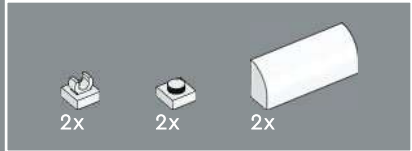
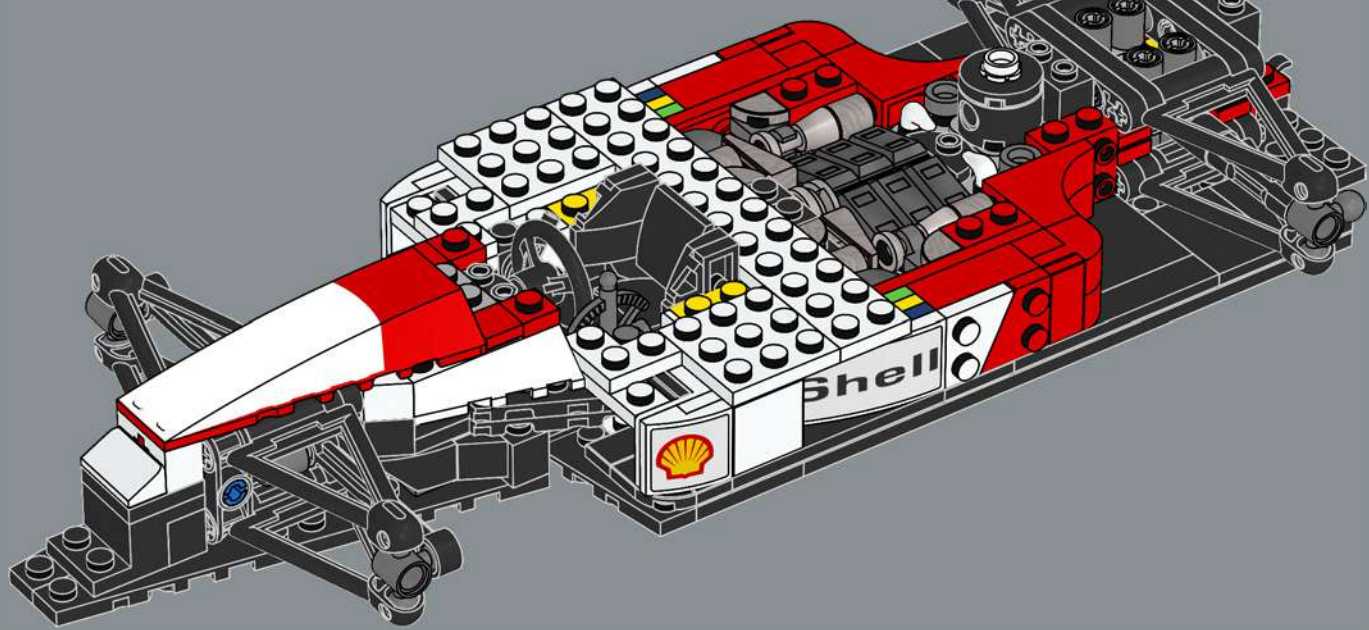


92

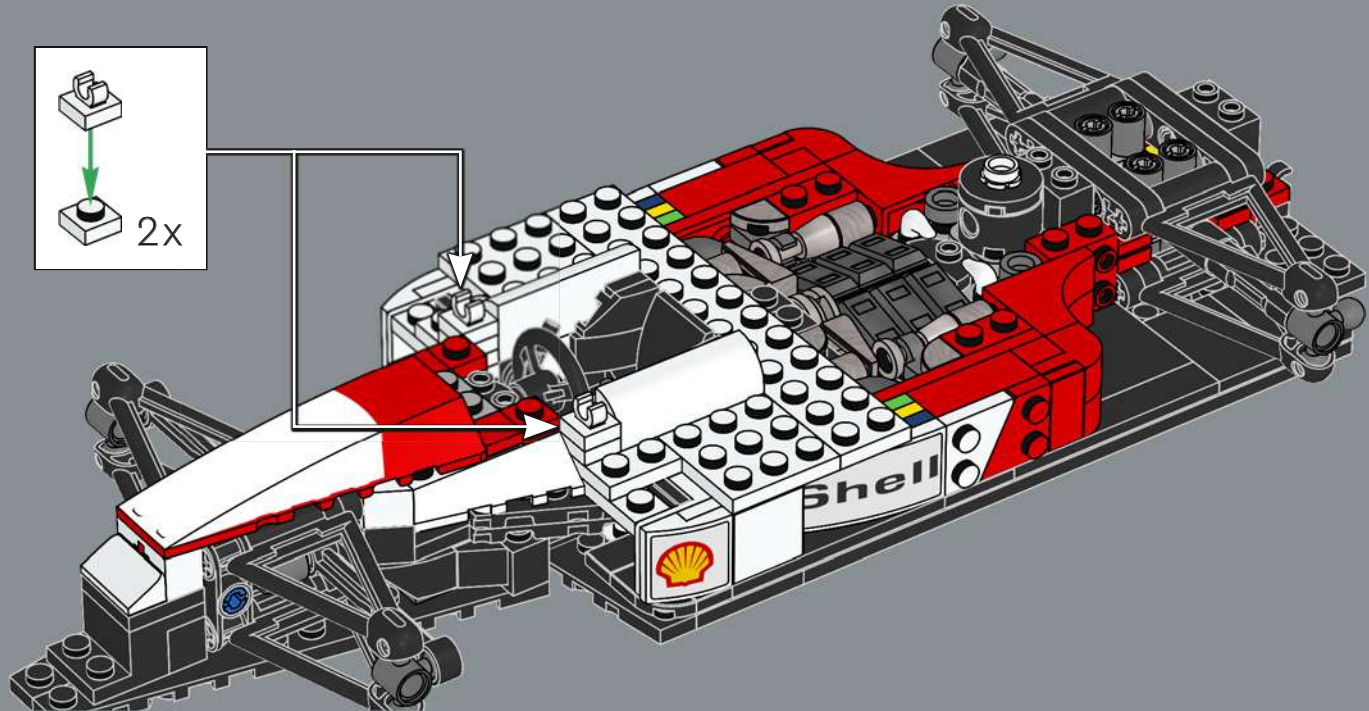
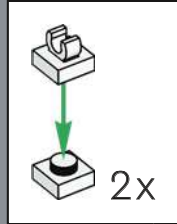


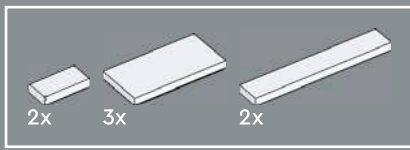


93

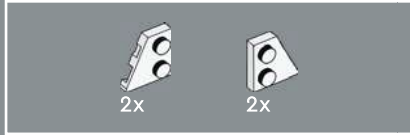
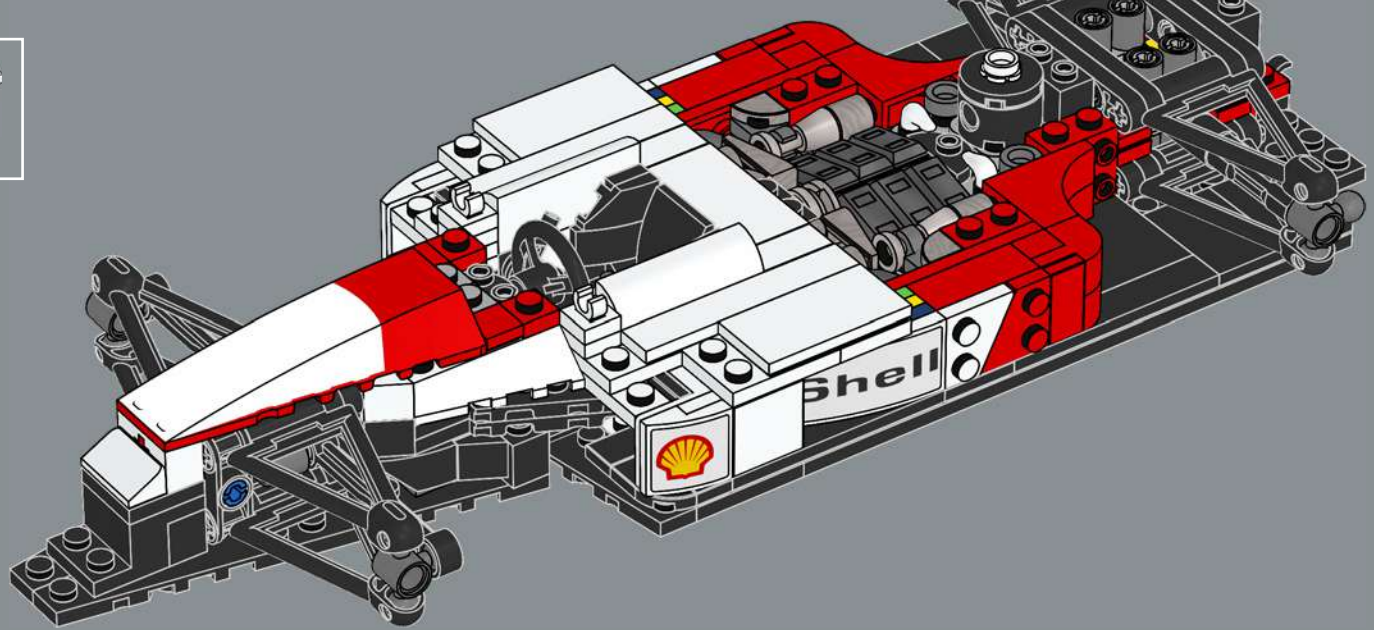


94

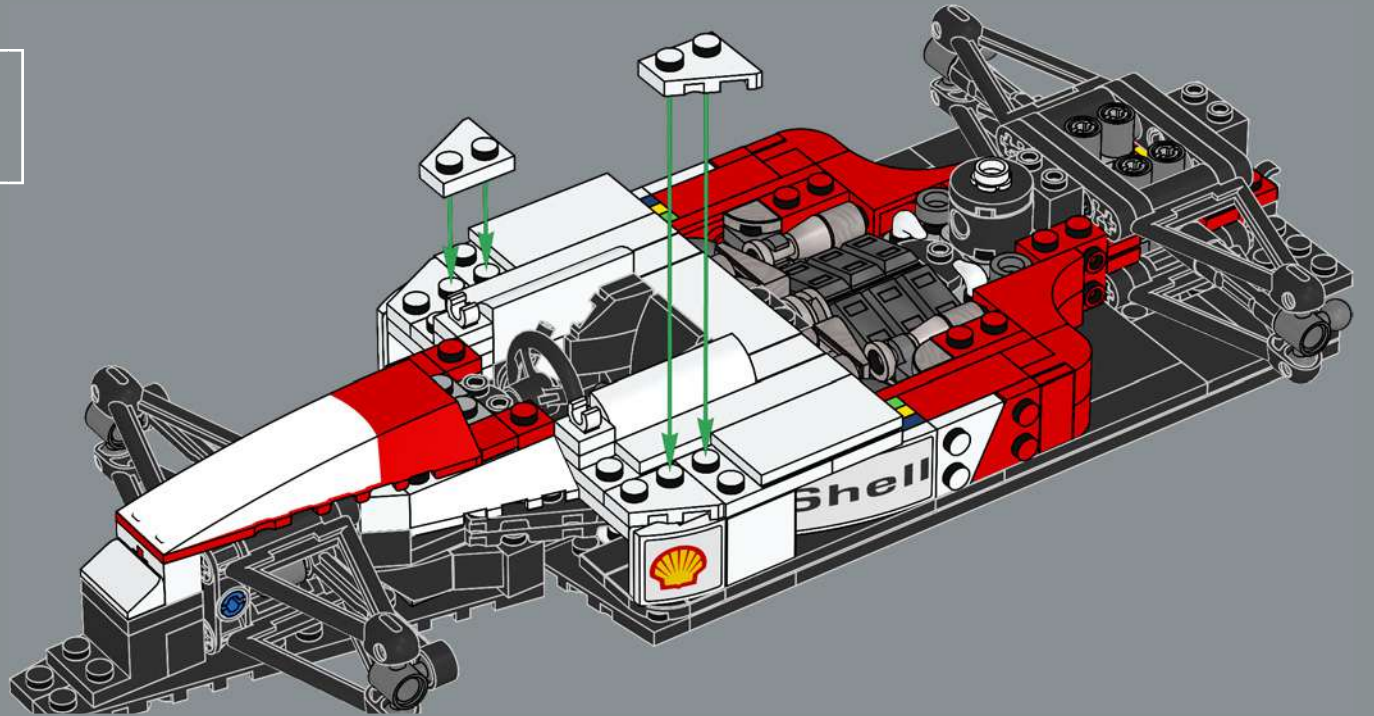




95

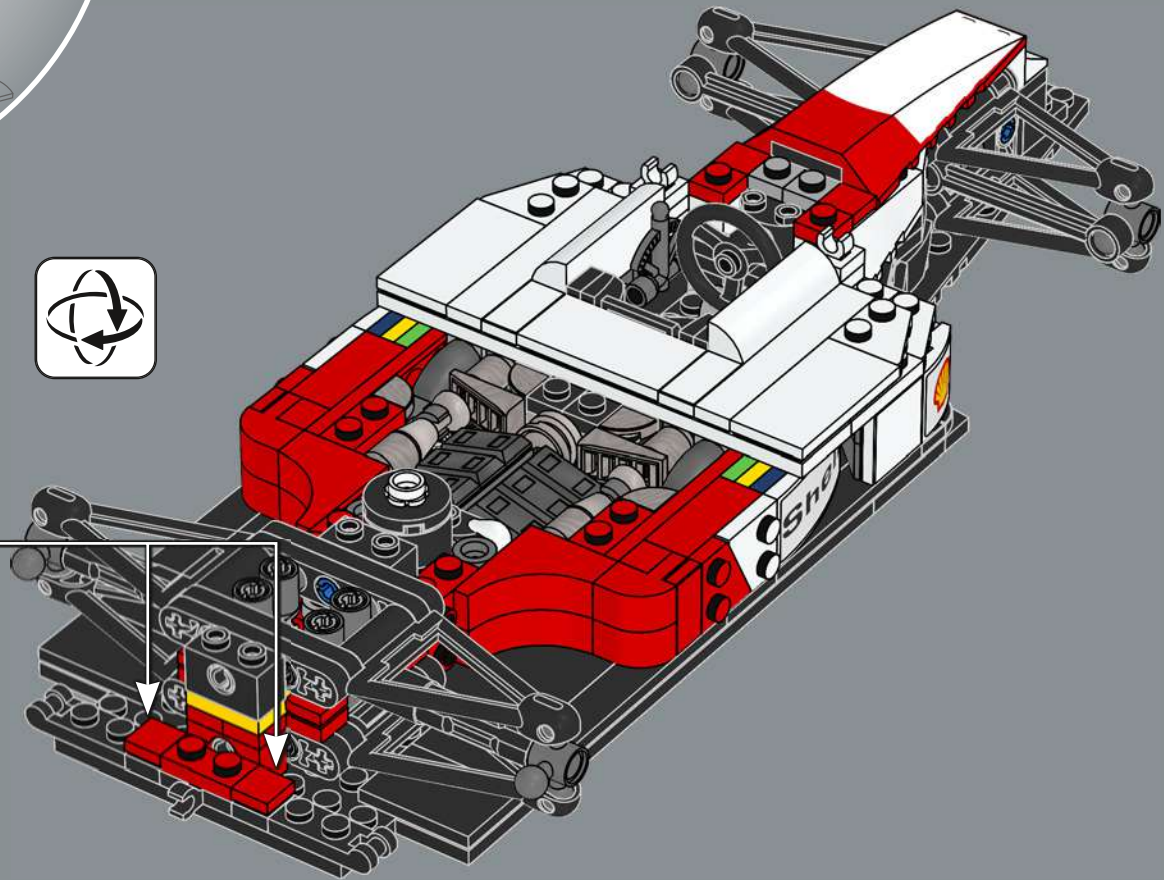
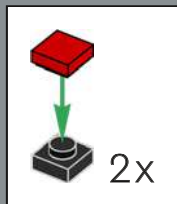


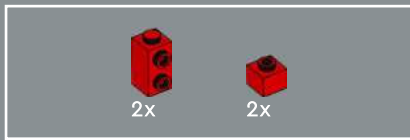
96



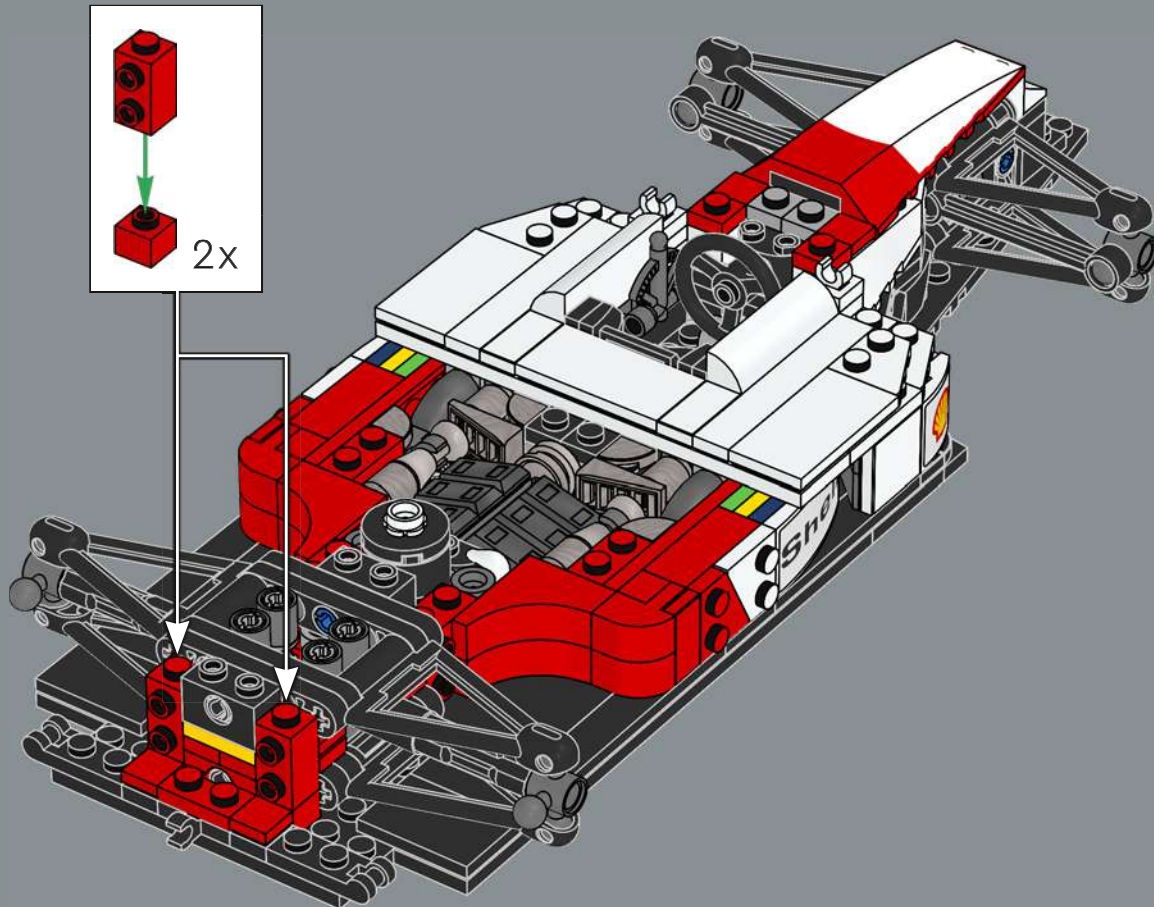


97



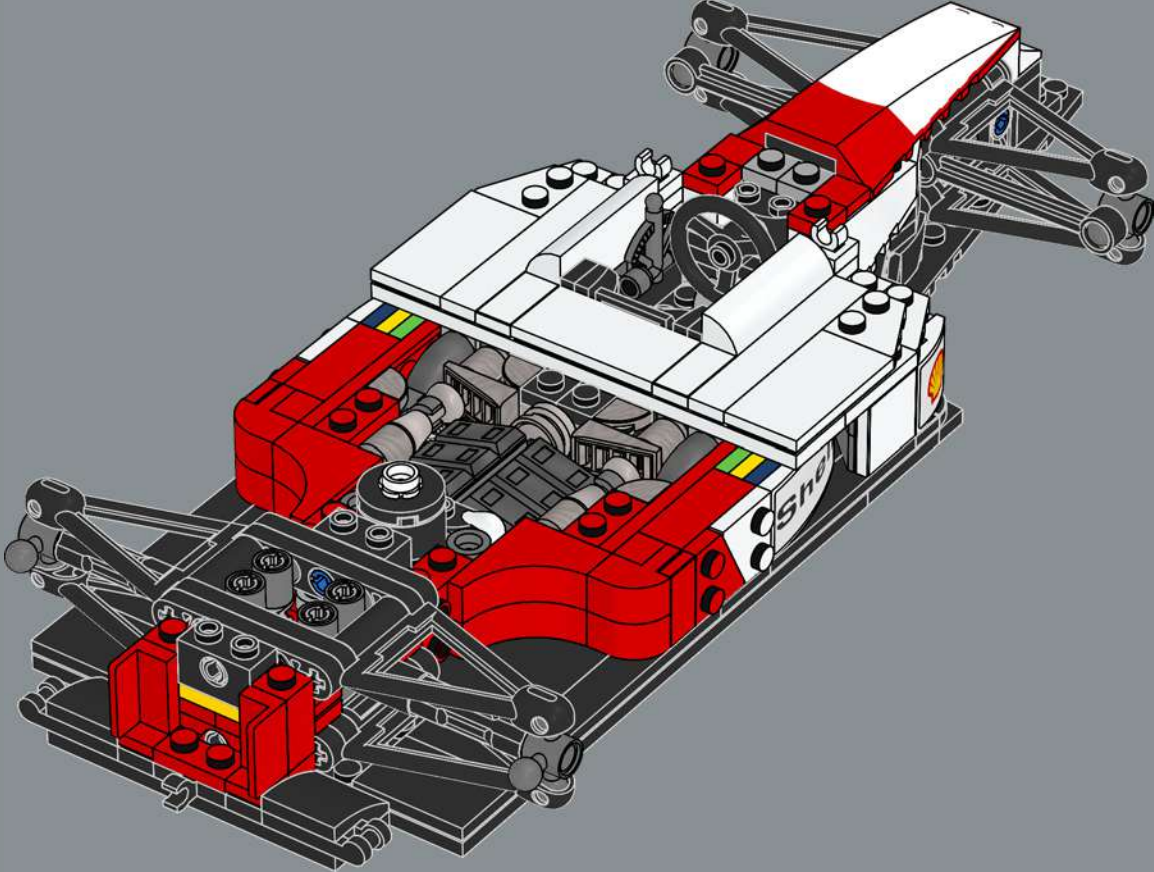


98



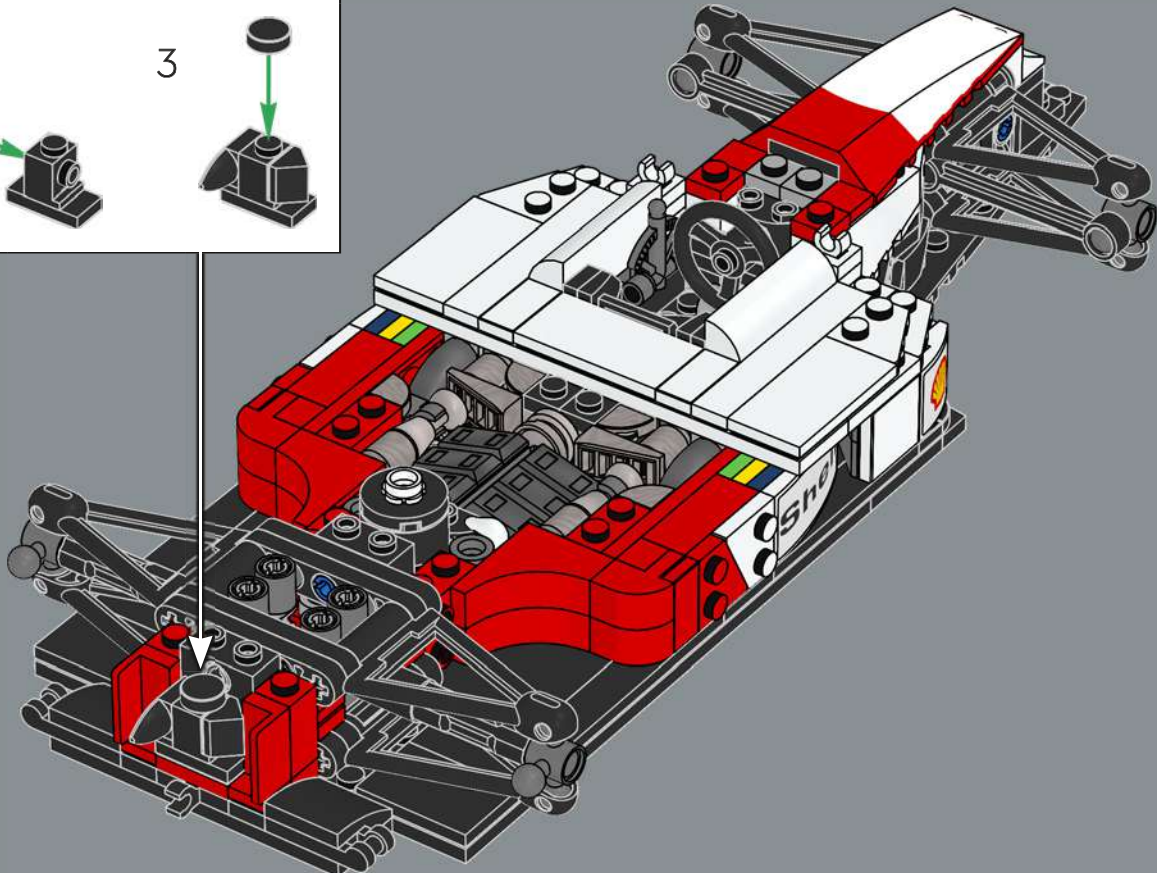
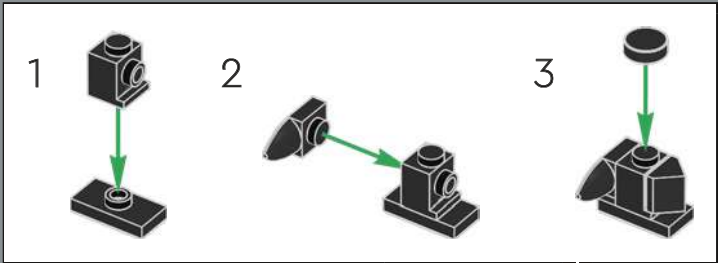


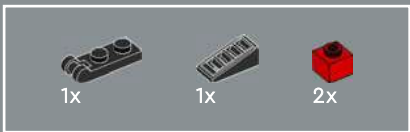
99



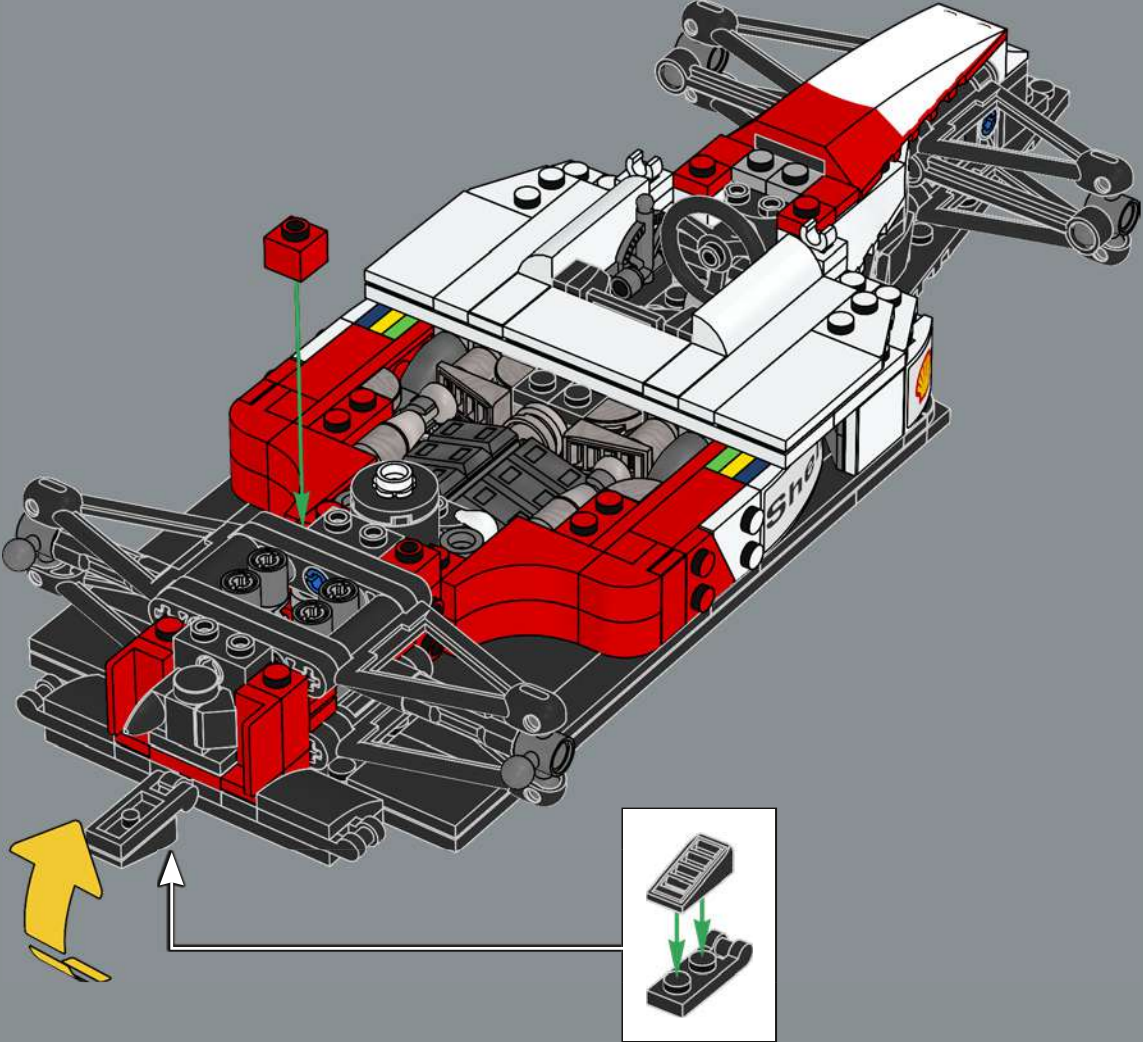


100



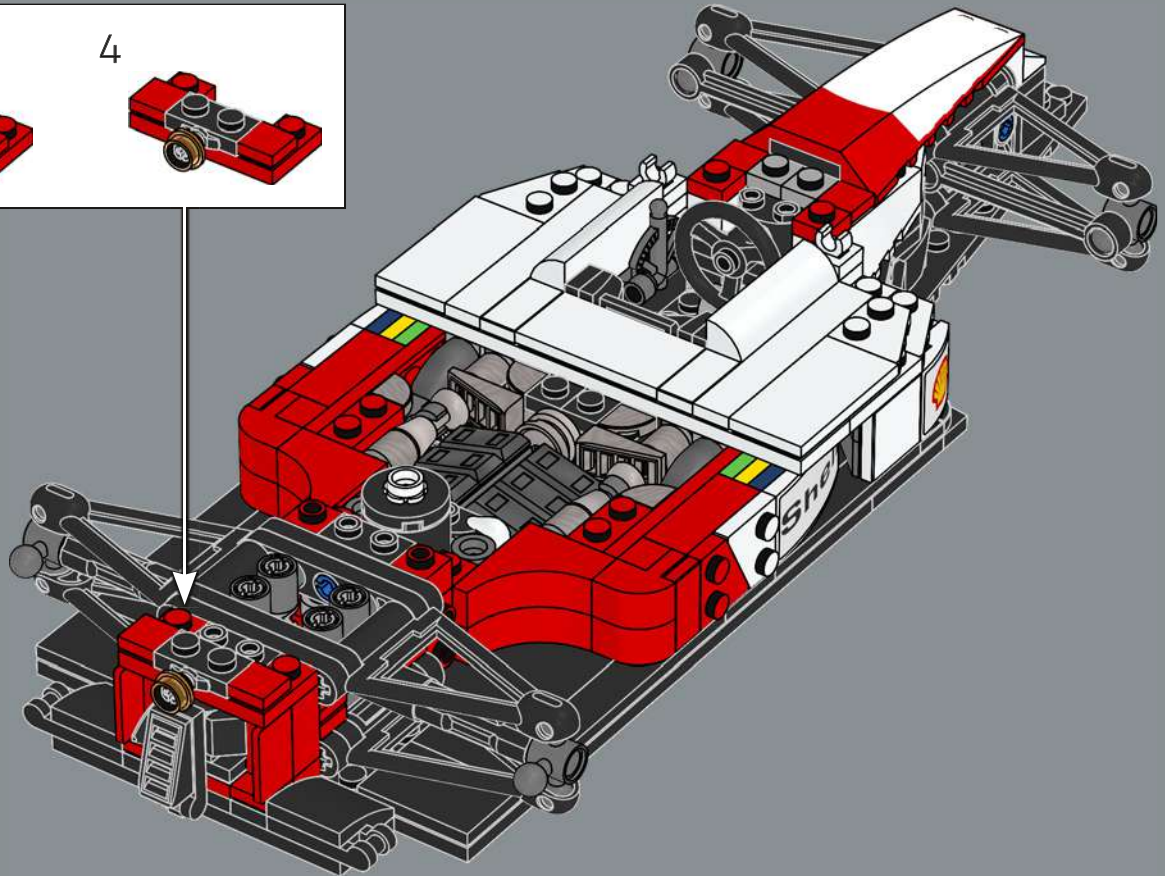
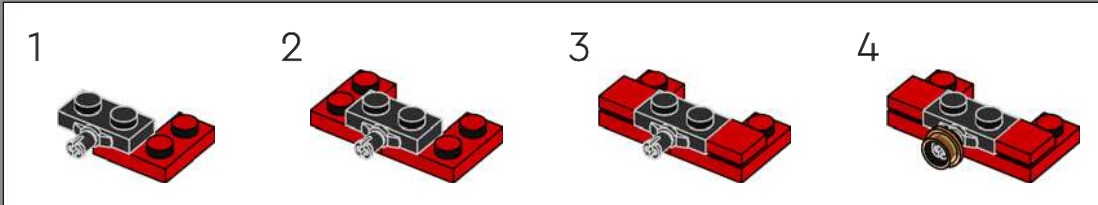


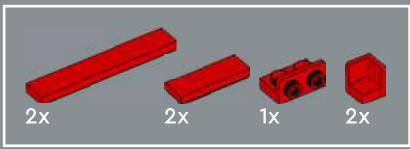
101



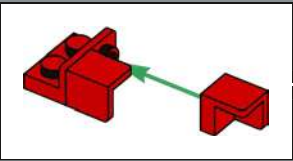
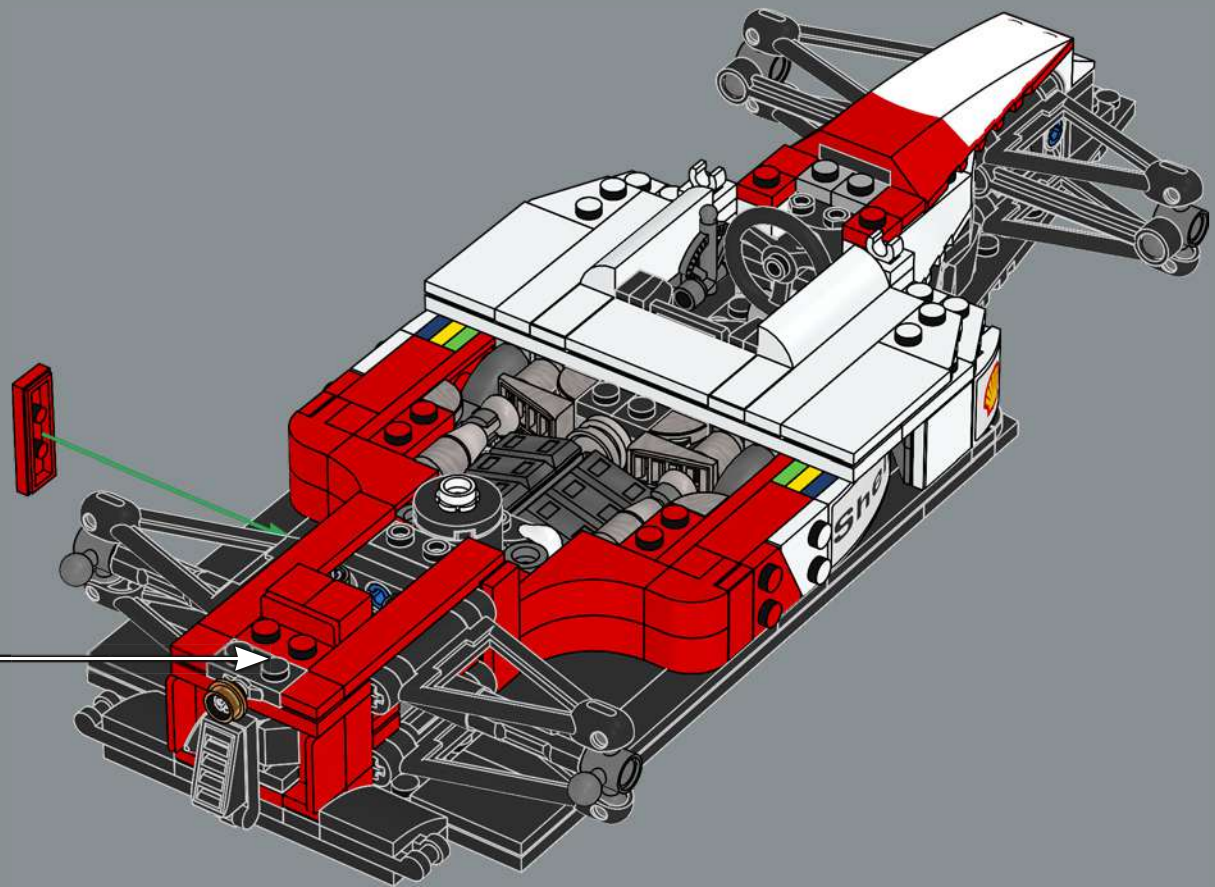


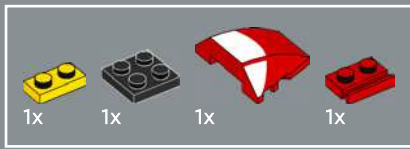
102



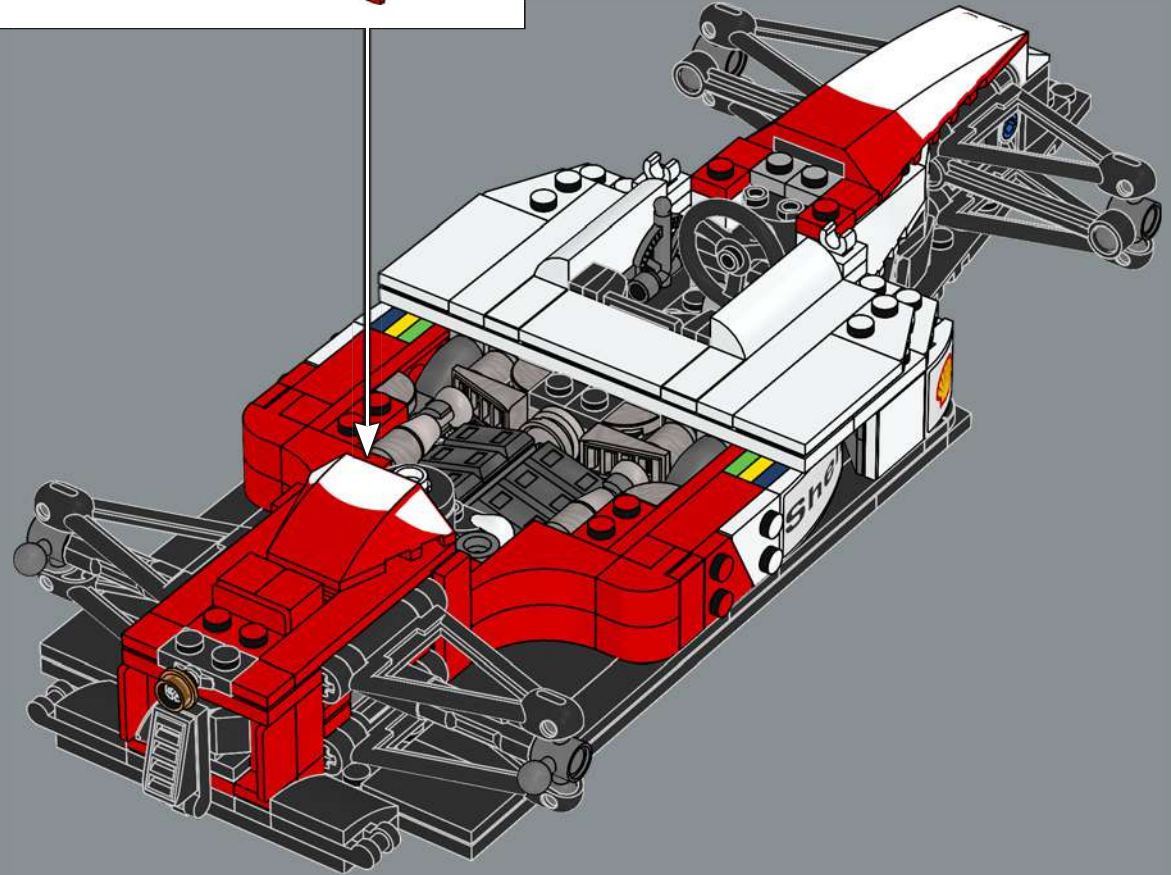
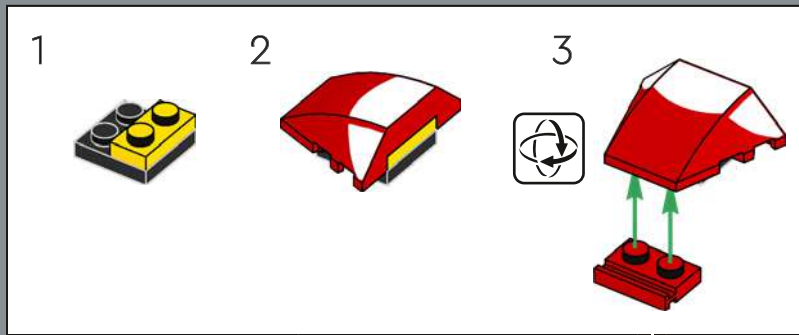


103



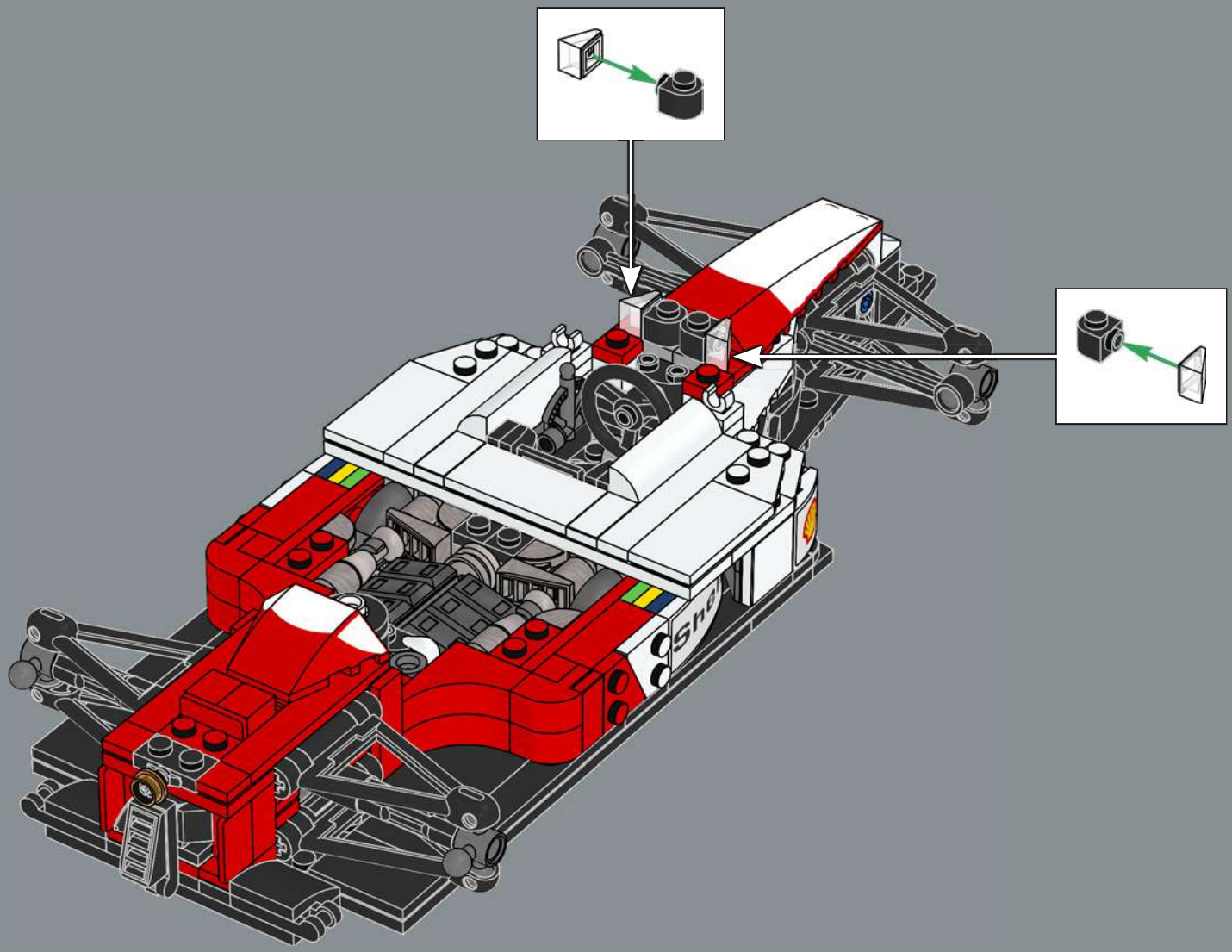


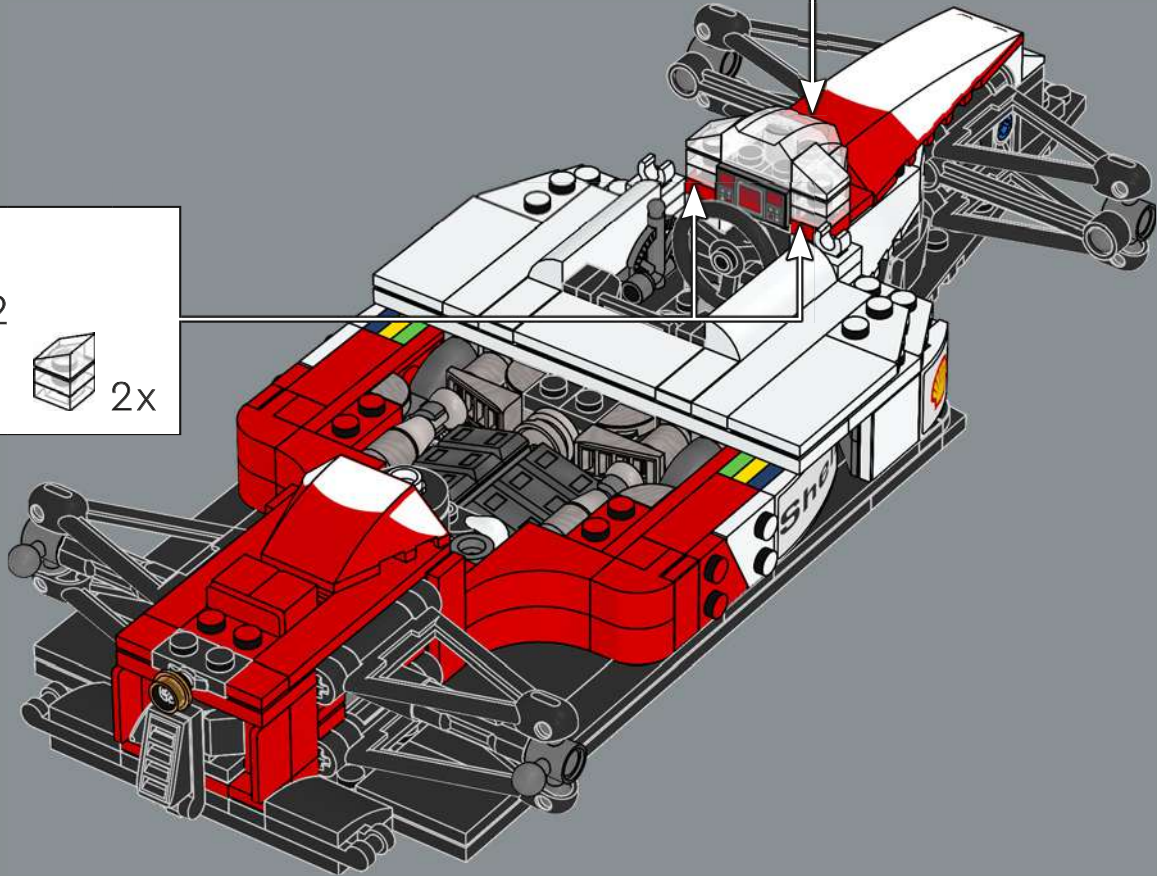
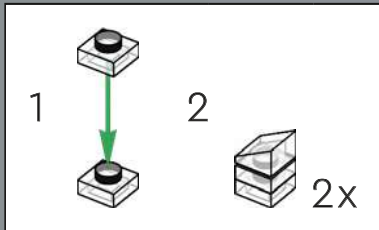
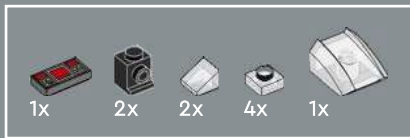
104





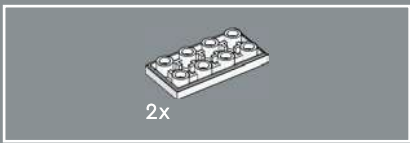
105





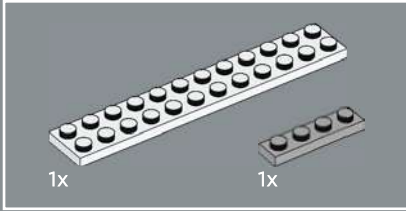
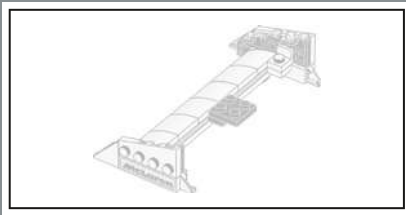
106



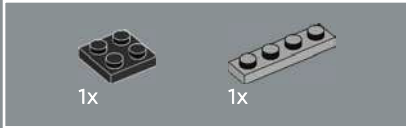
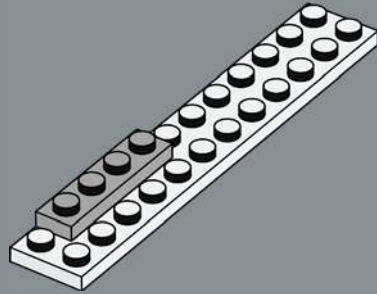


107

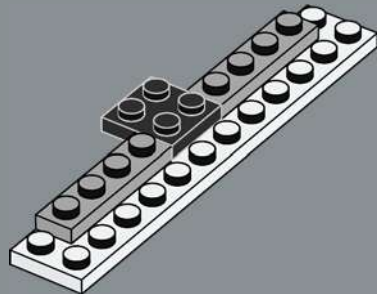




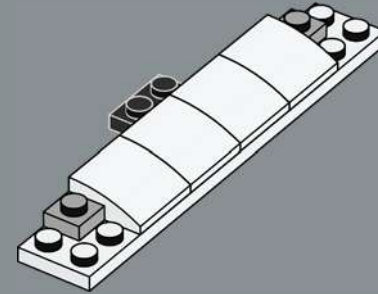
108



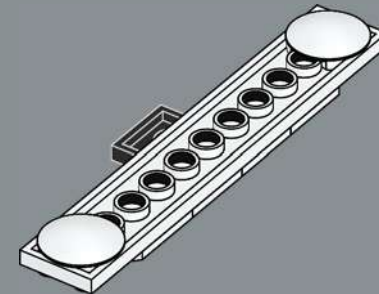
109

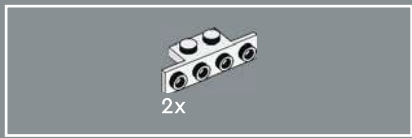


110

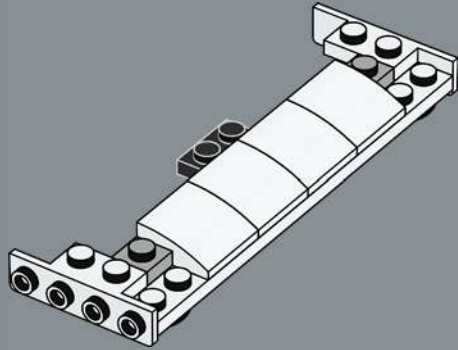


111

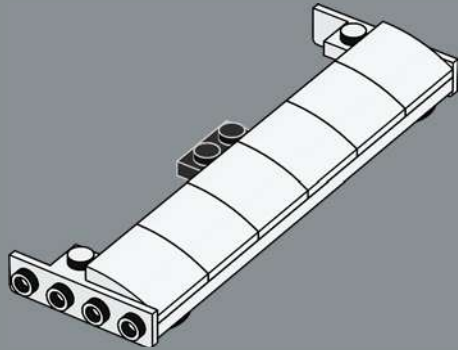




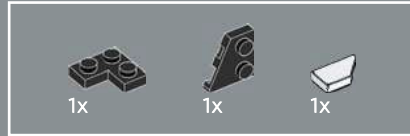
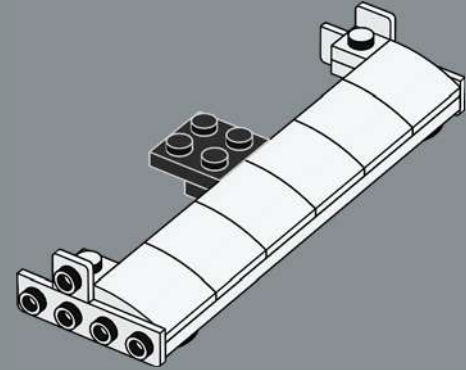
112



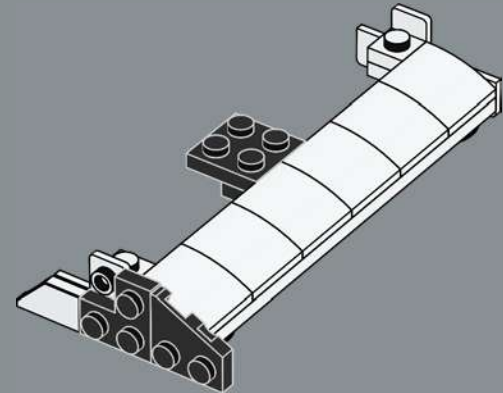
113

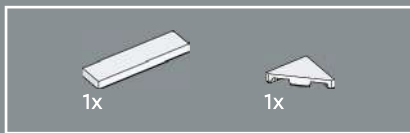


114

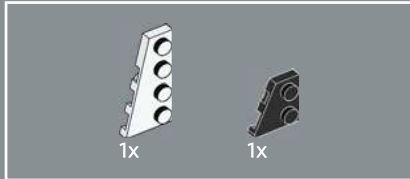
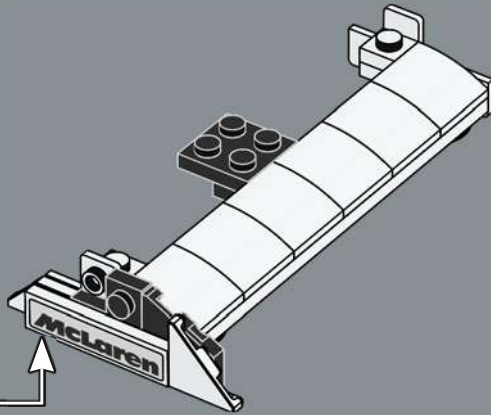
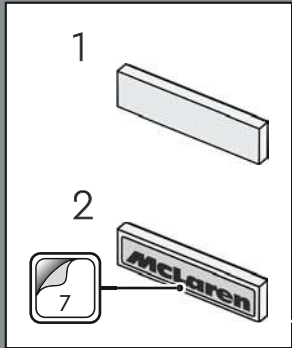


115

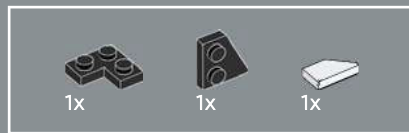
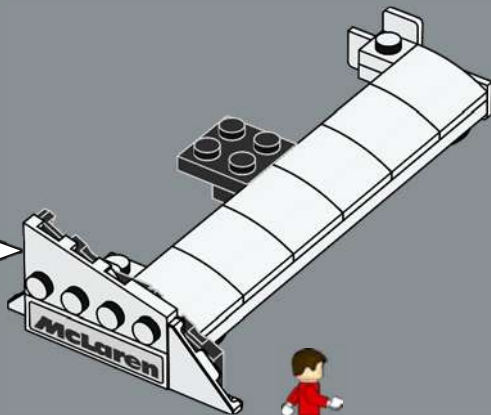
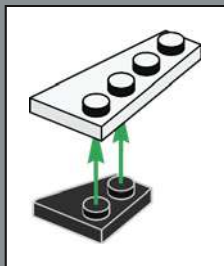




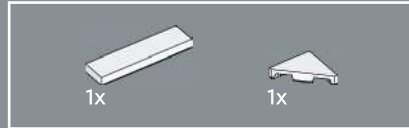
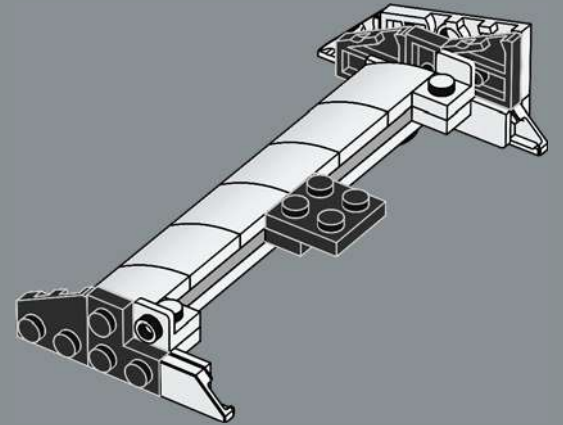
116



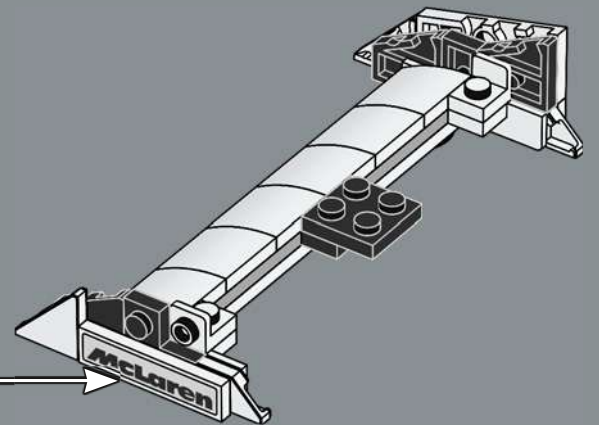
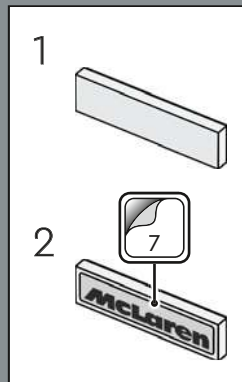
117

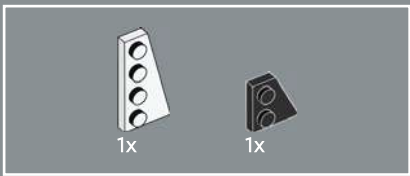


118

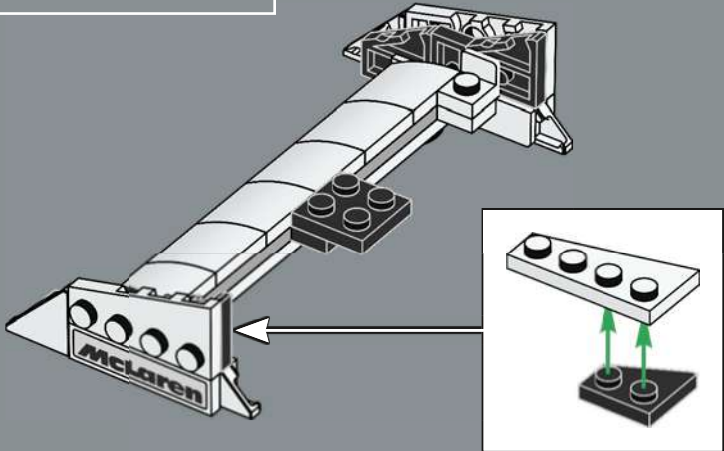


119

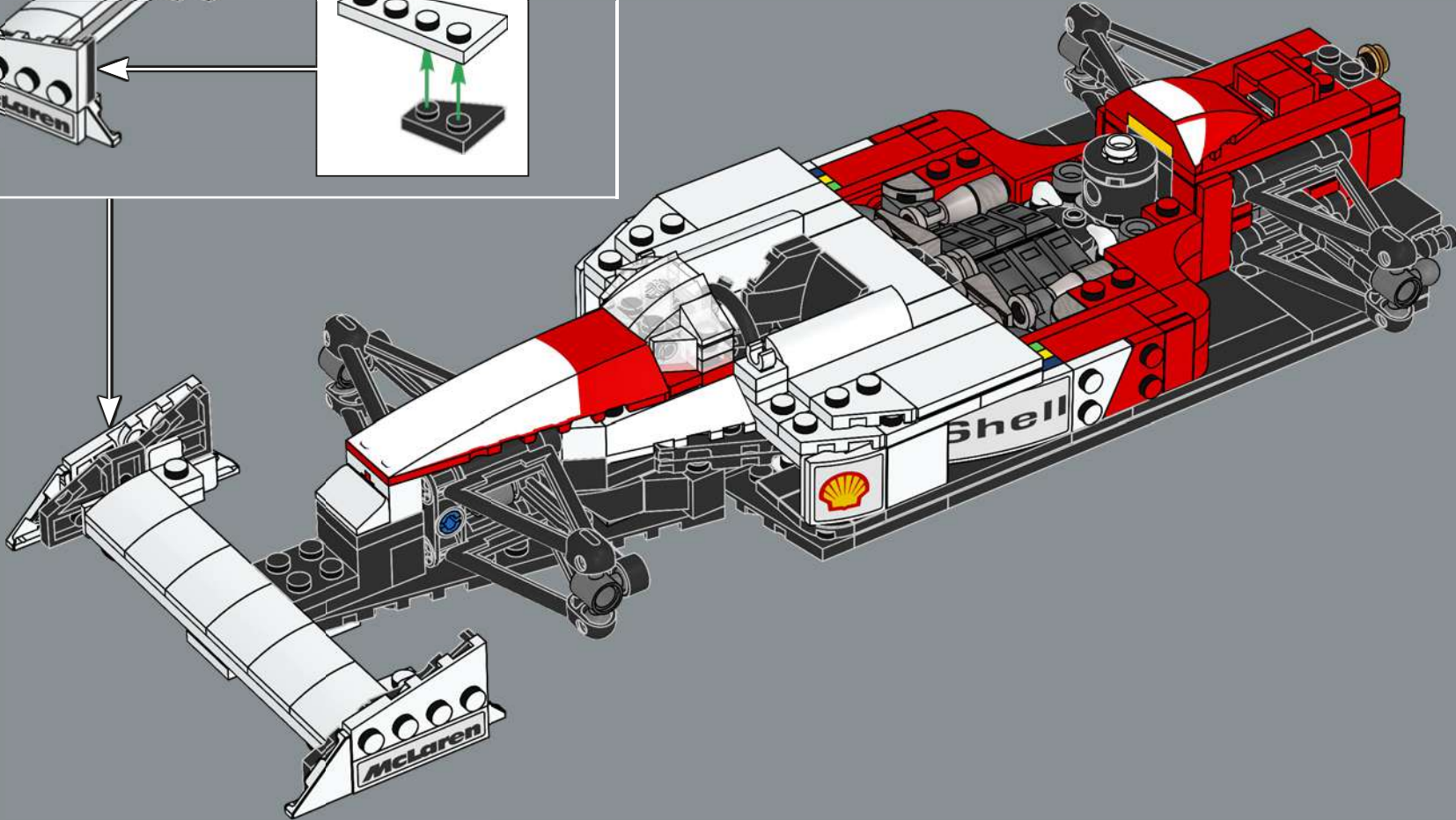




120

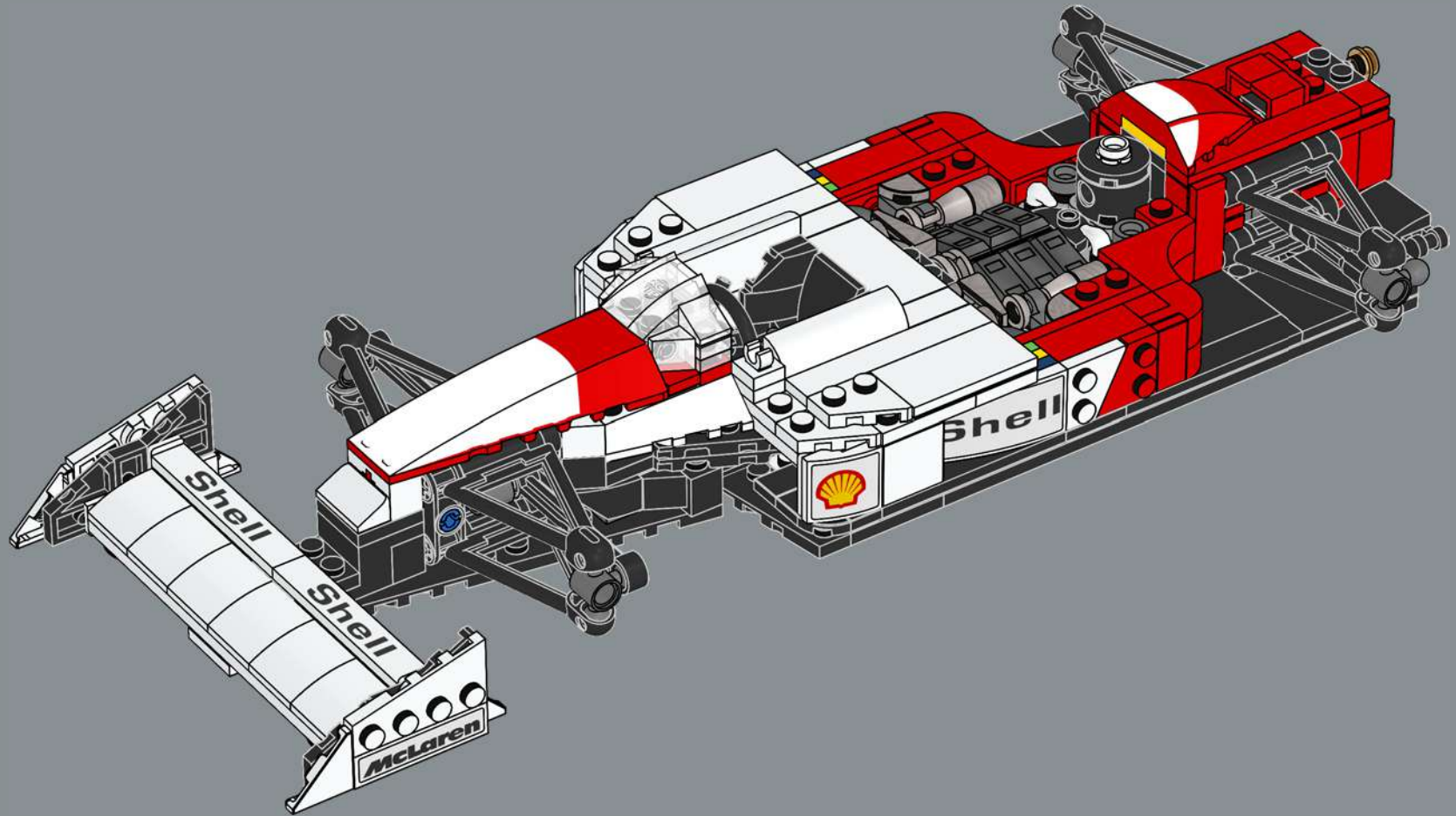


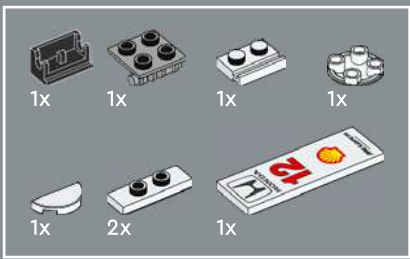
121





122





123

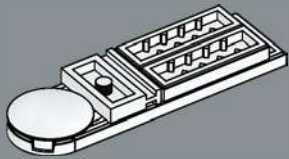
1



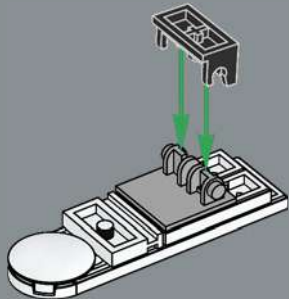
2



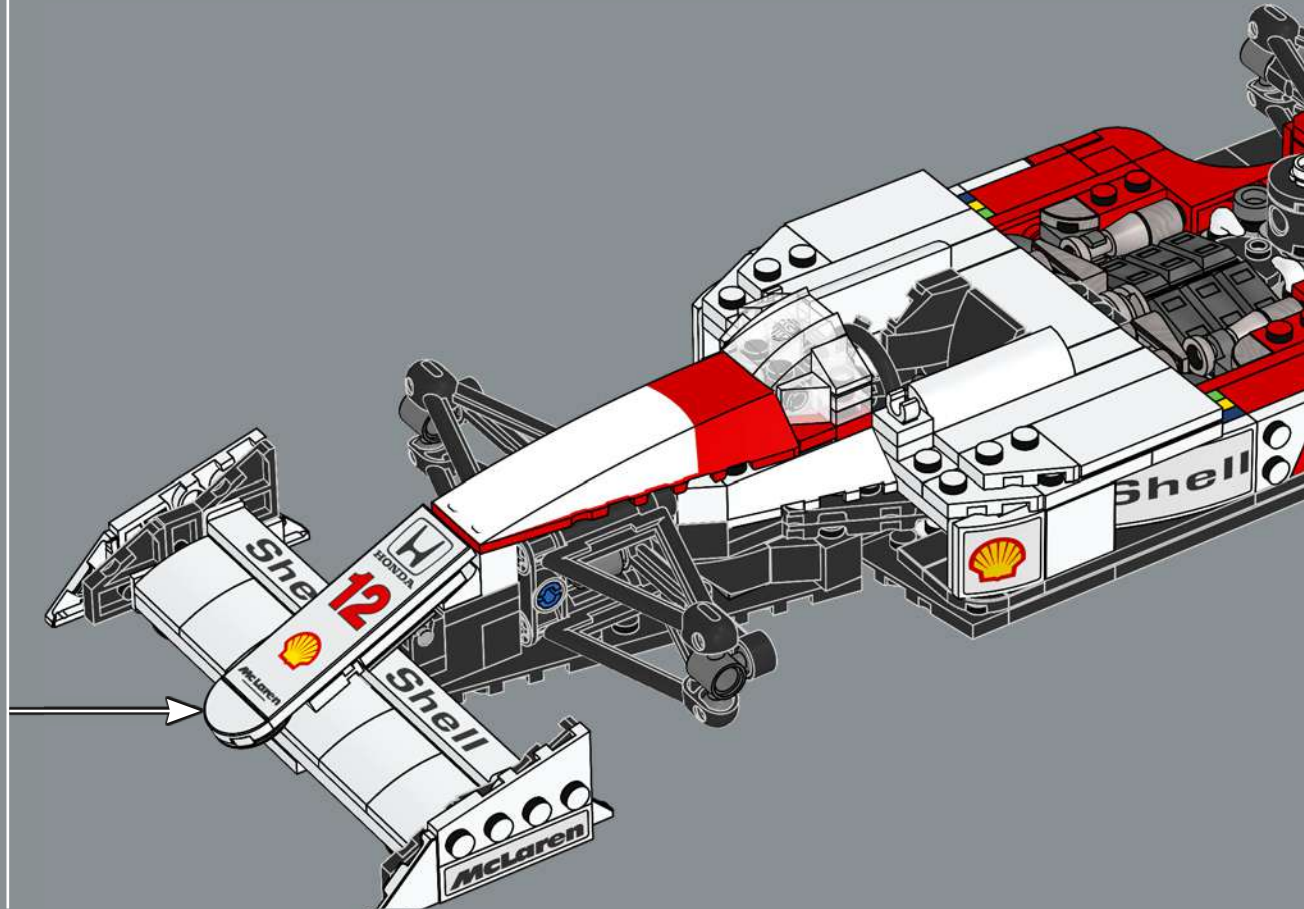
3



4

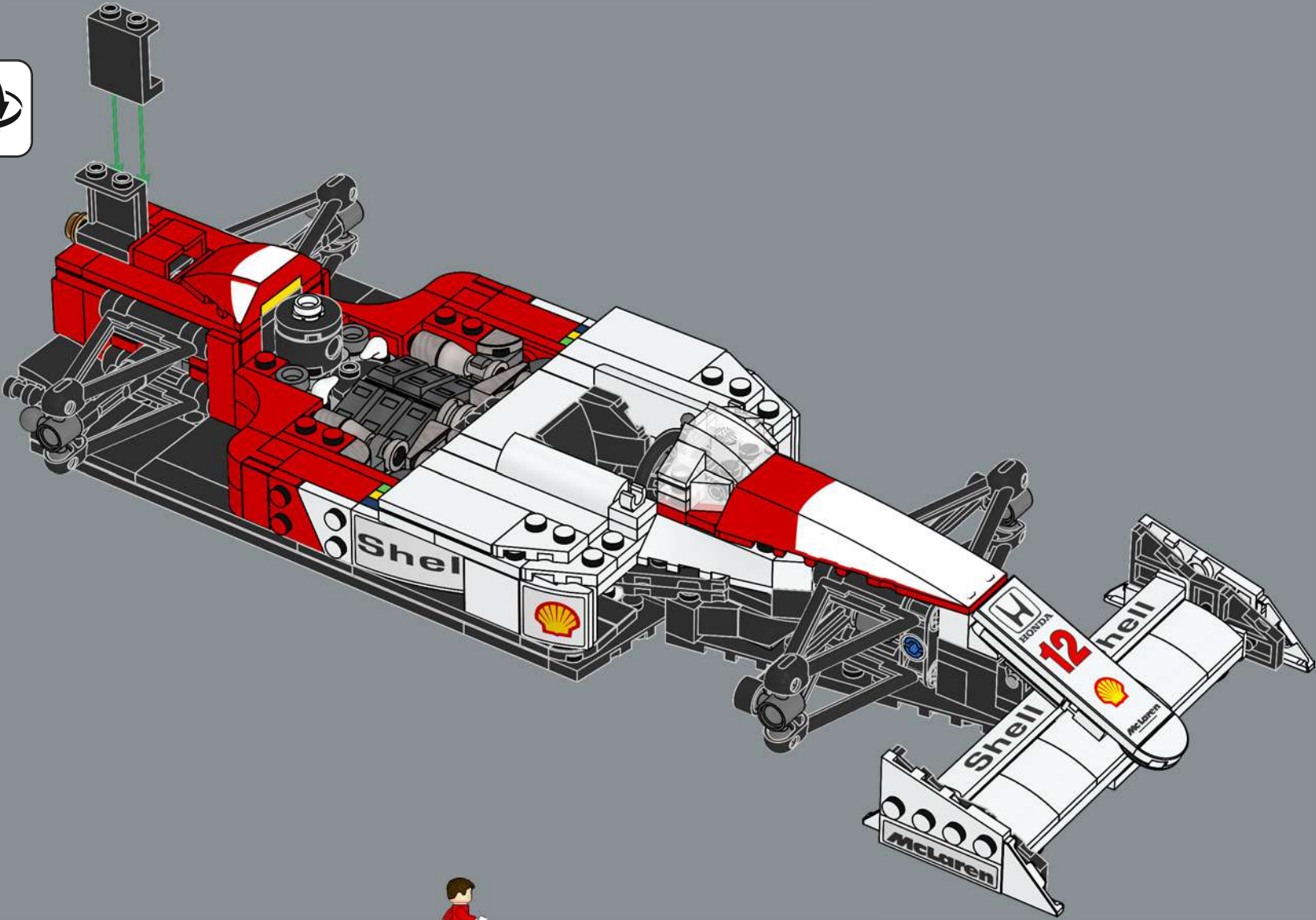


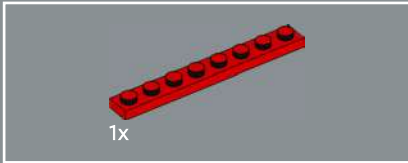
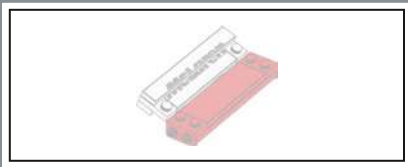
The number 12 on the car was Ayrton Senna's driver number when he won the 1988 World Championship.



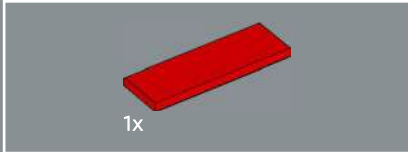
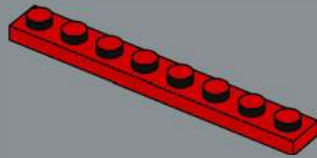


124

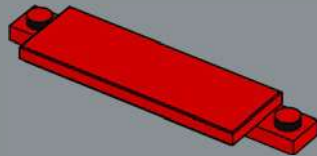




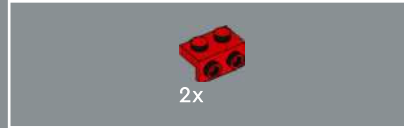
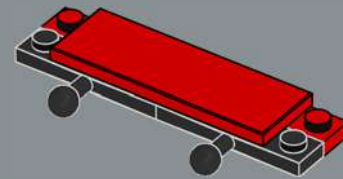
125



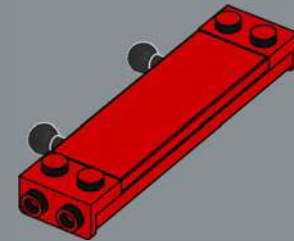
126

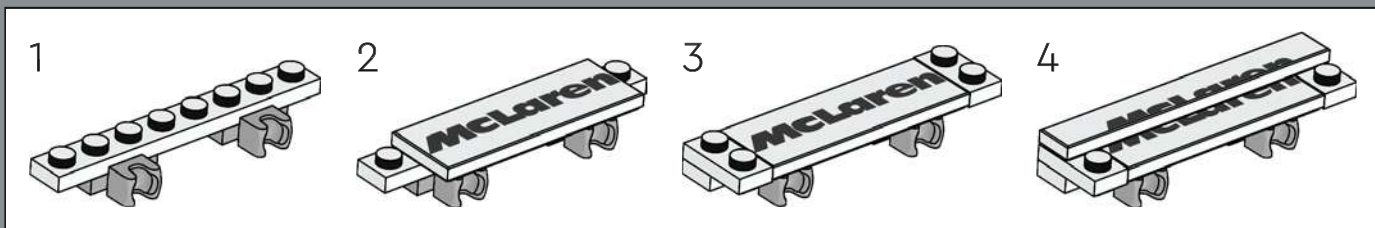
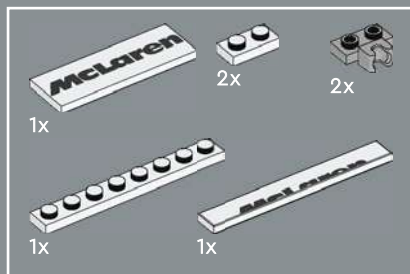


127

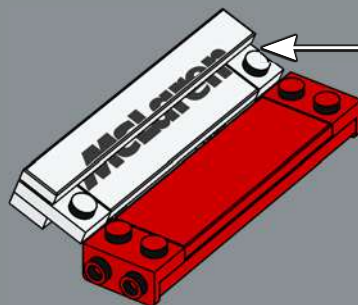


128

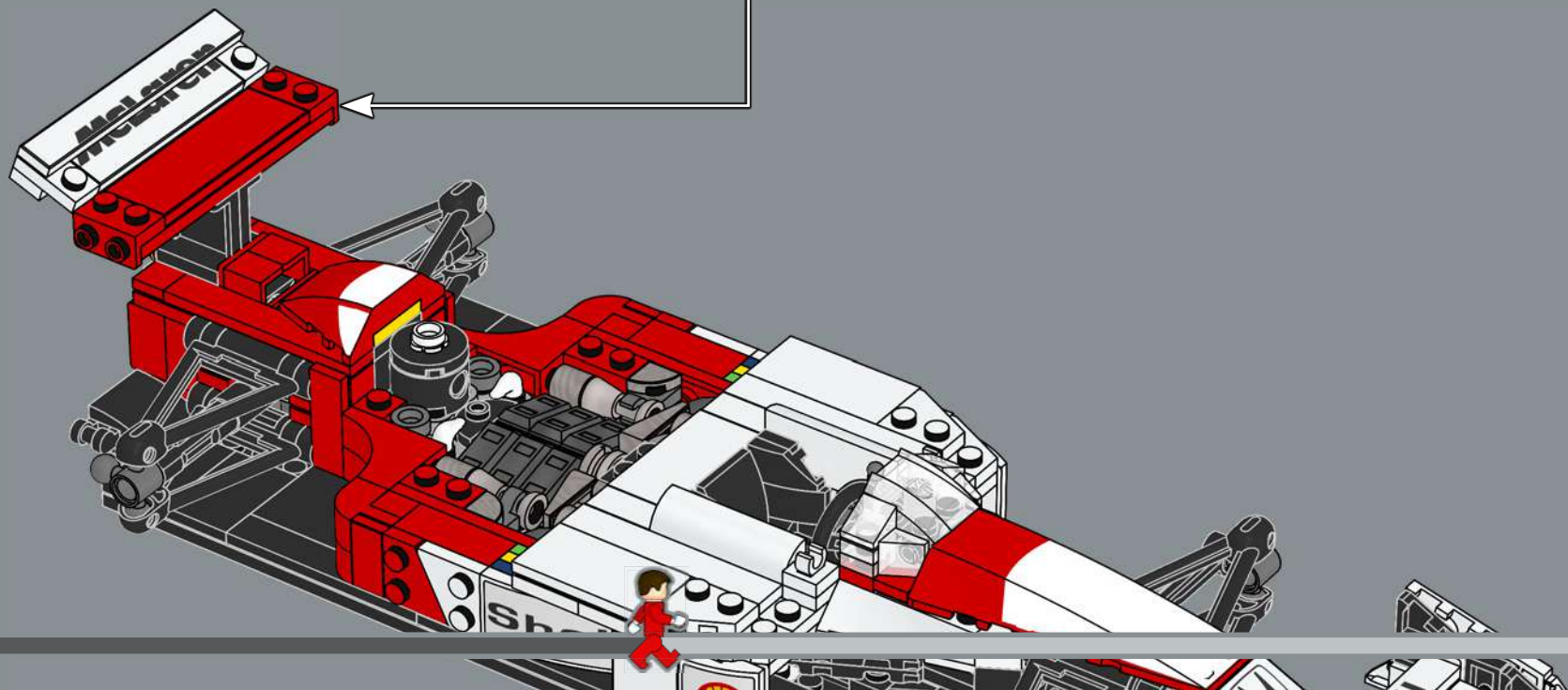


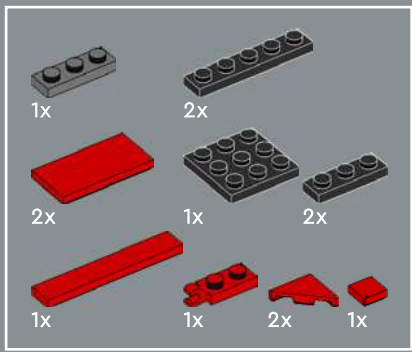


129



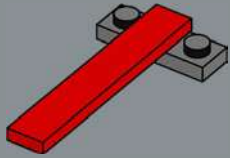
130



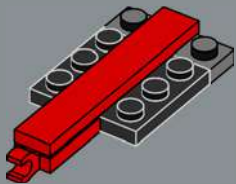


131

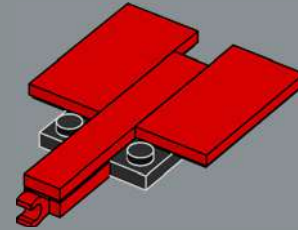
1



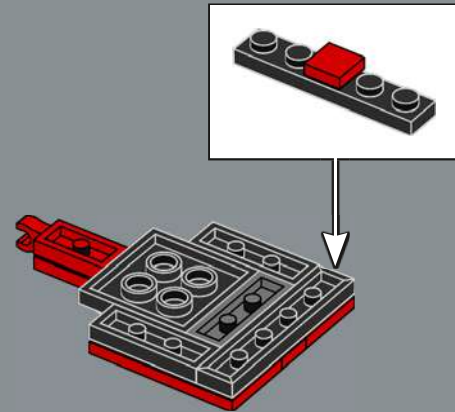
2



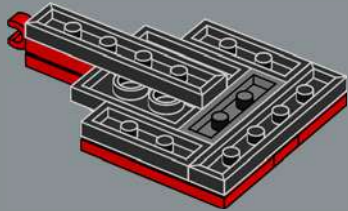
3



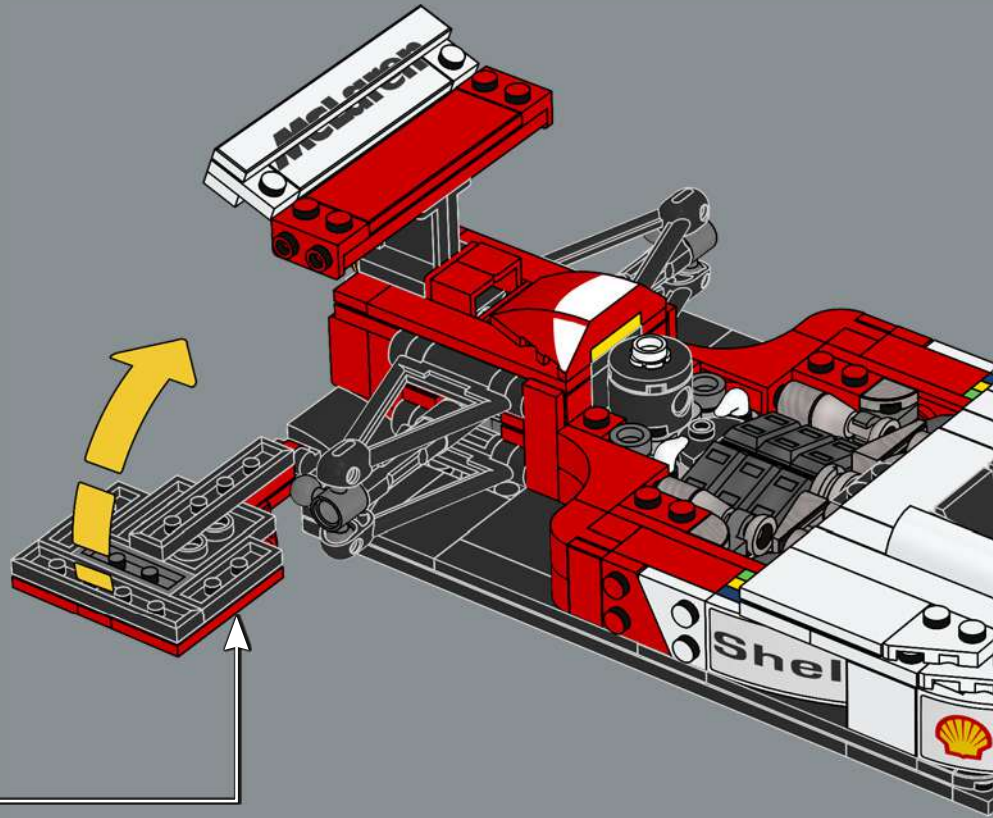
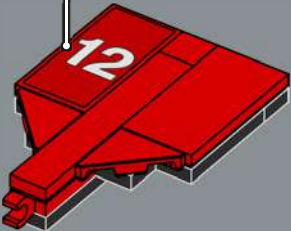
4

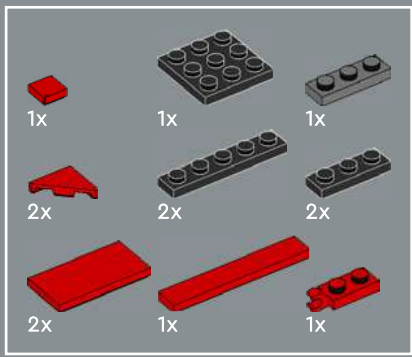


5

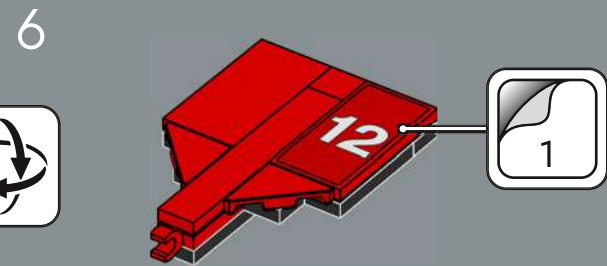
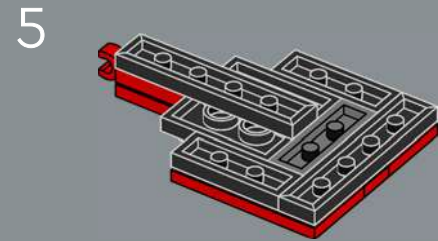
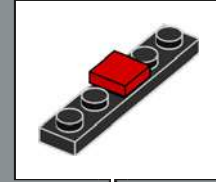
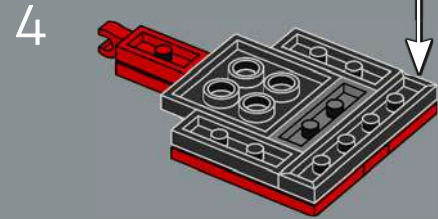
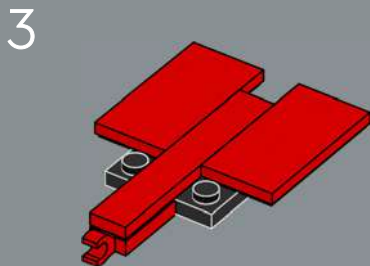
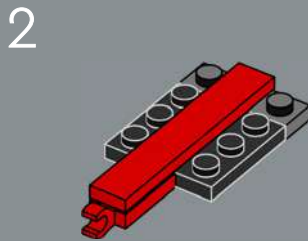
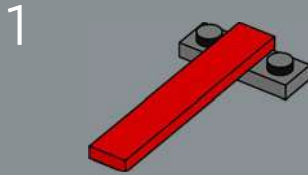


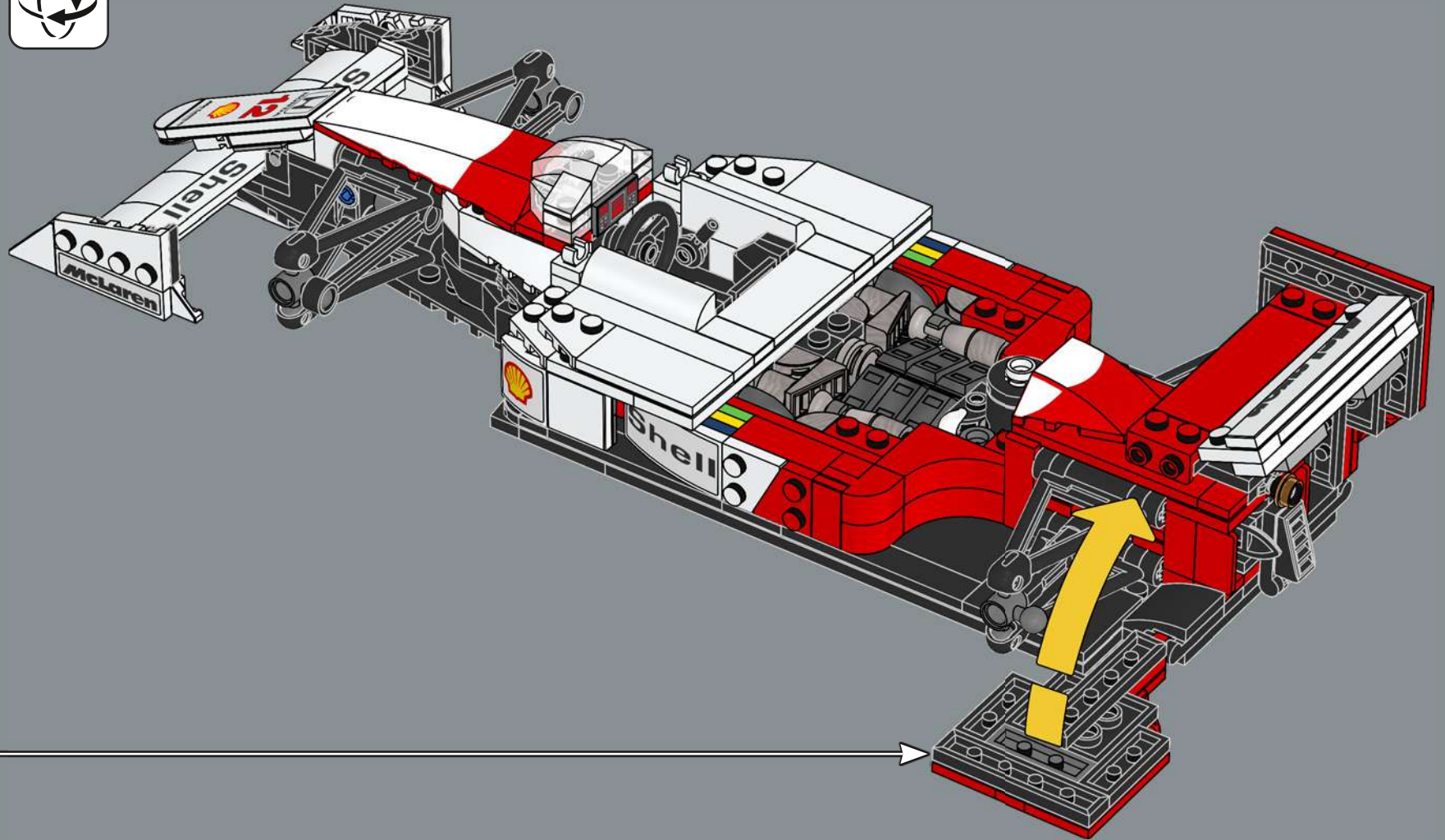
6

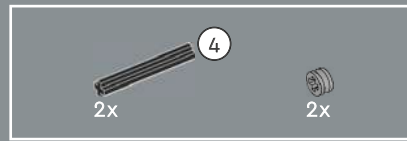
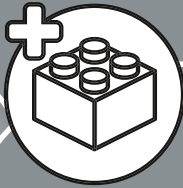




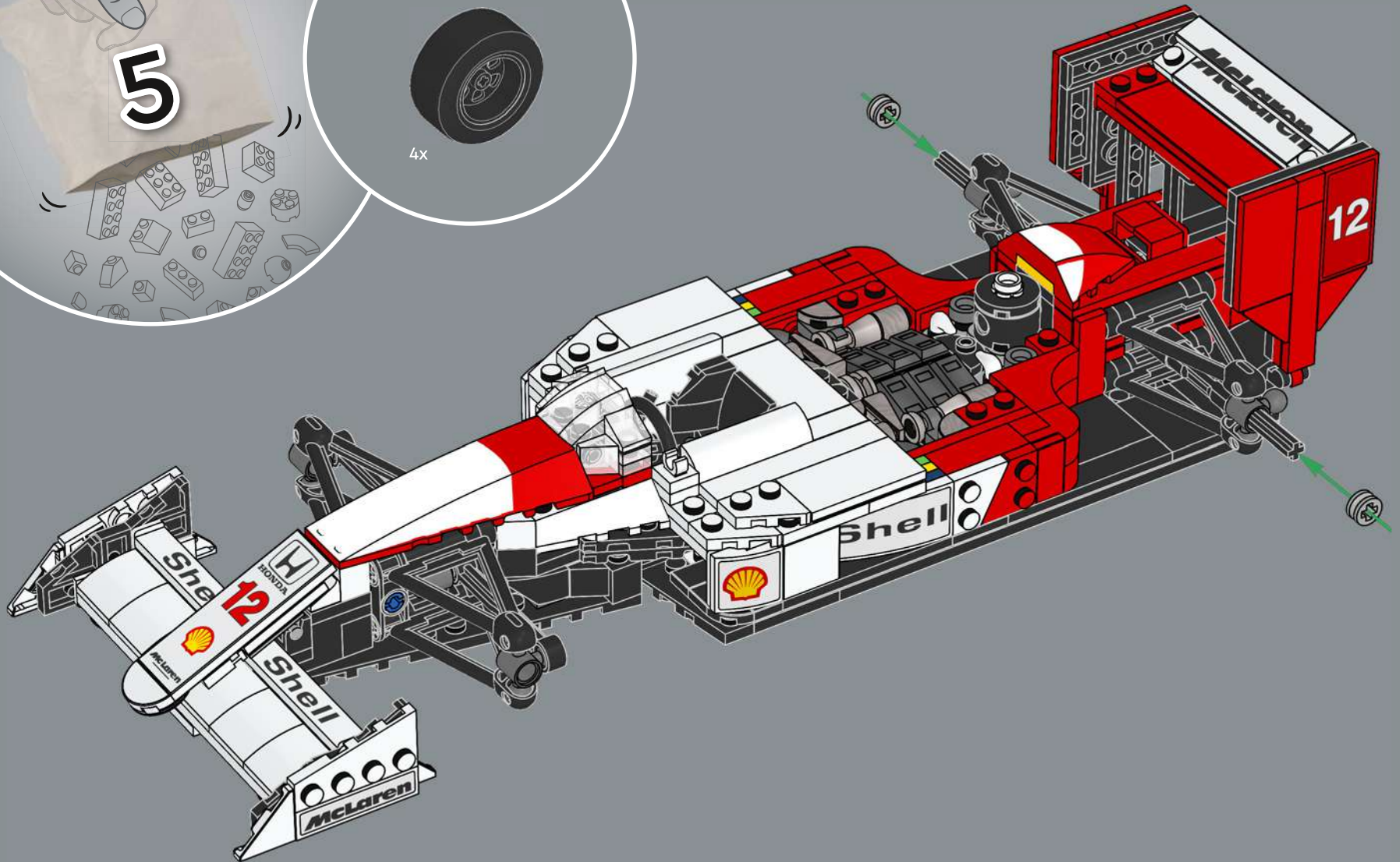
132

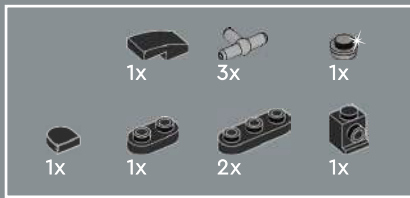




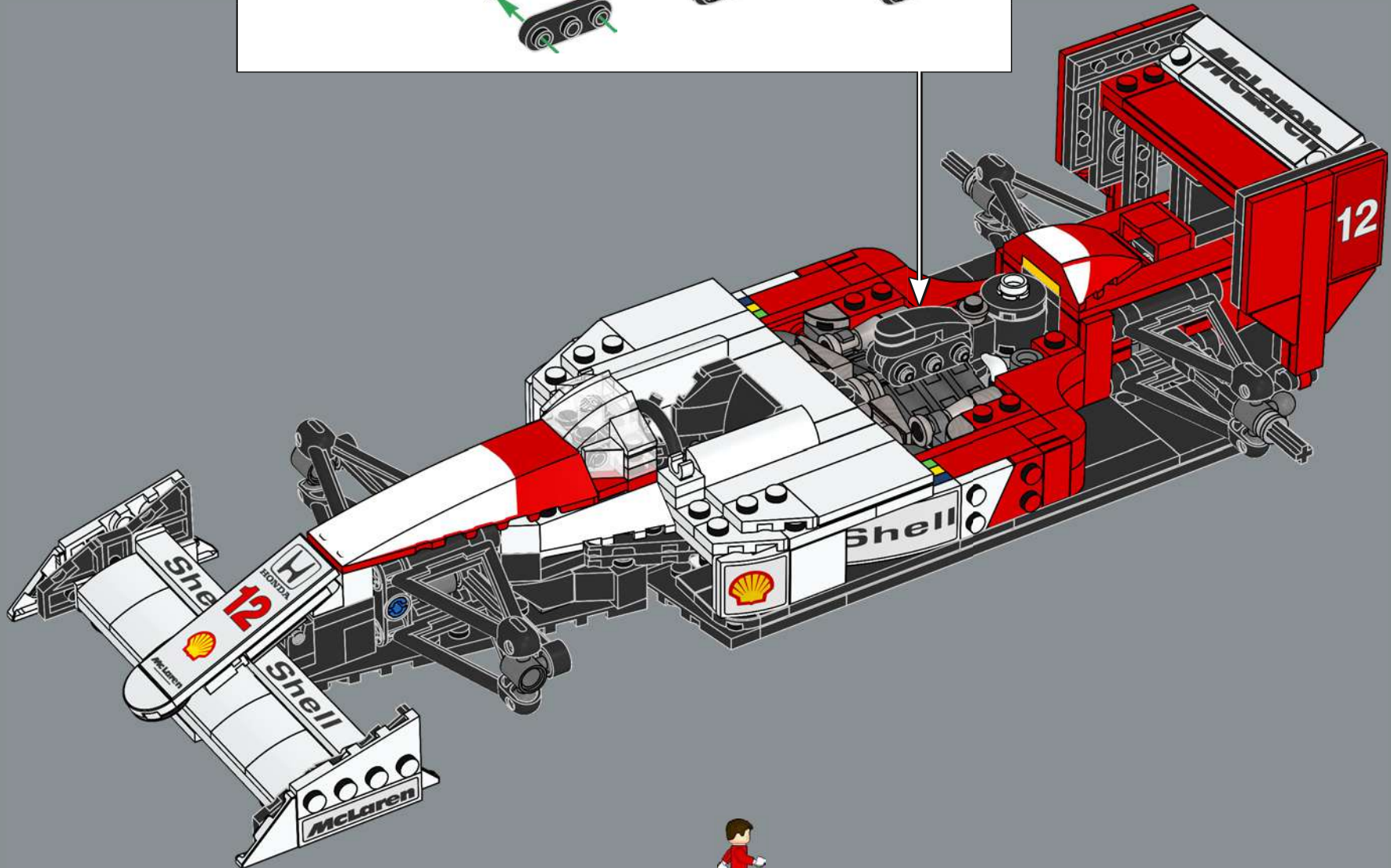
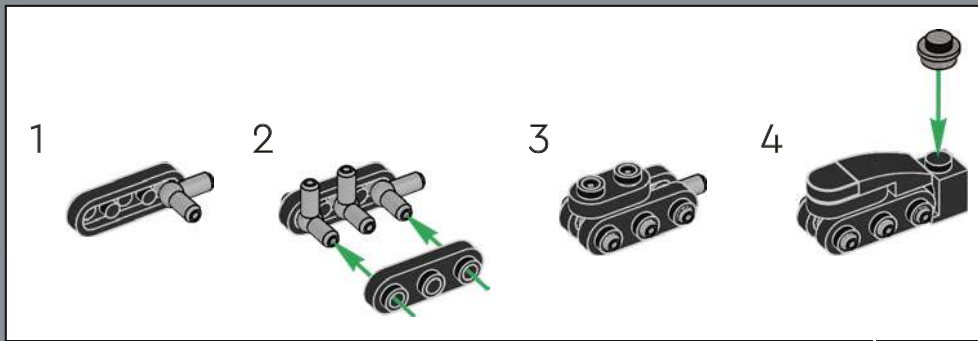


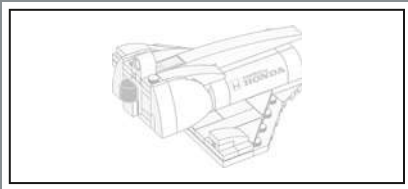
133



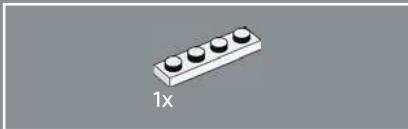


134

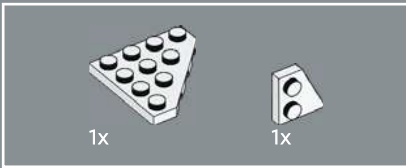
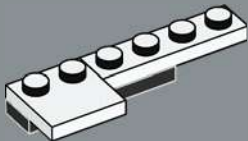




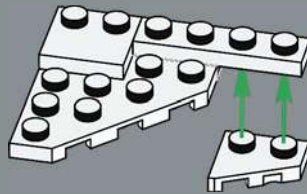
135



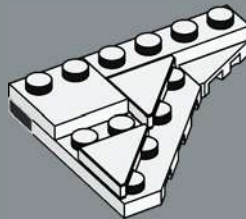
136

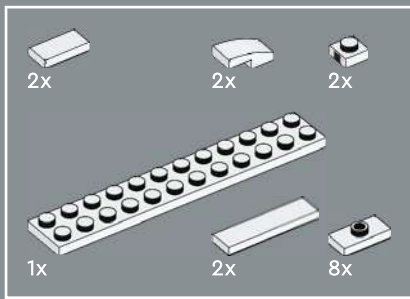


137

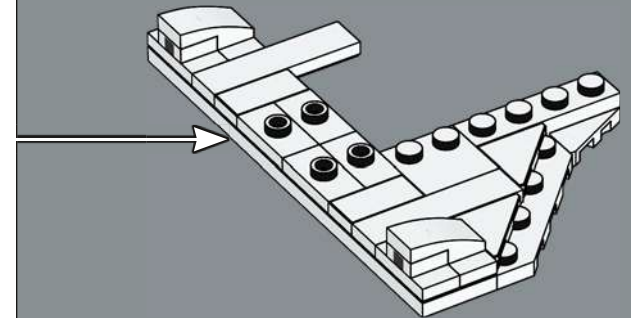
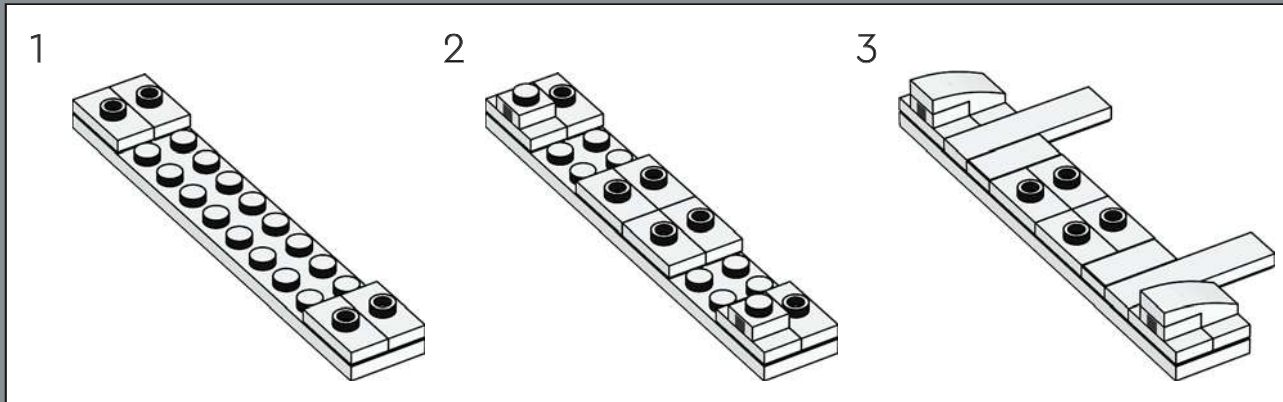


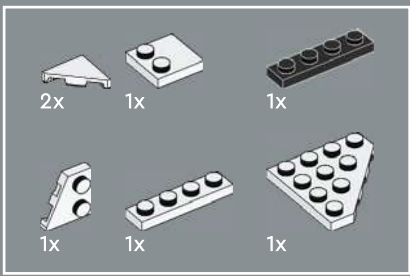
138





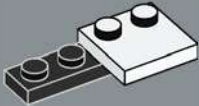
139





140

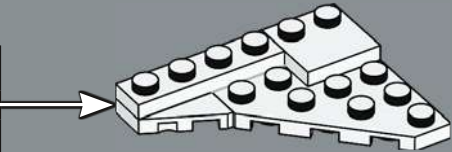
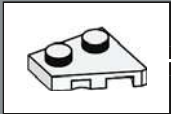
1



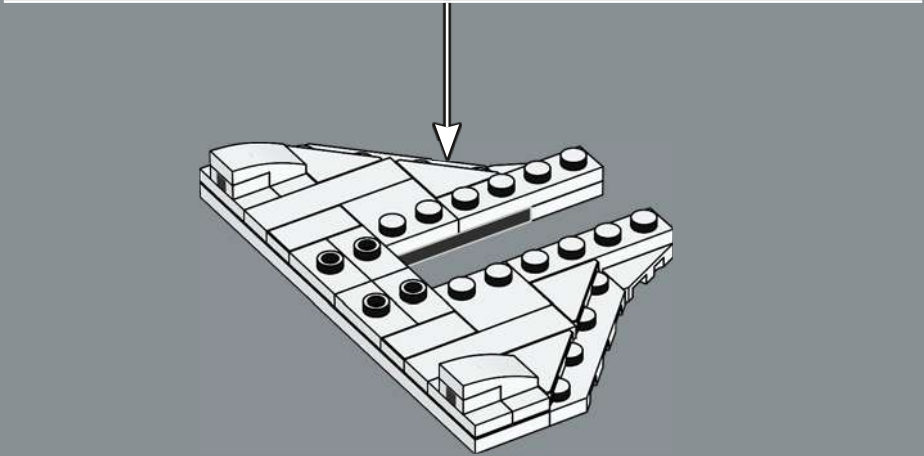
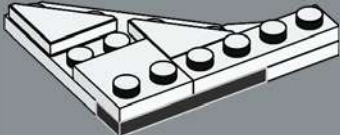
2



3

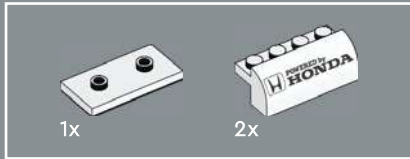
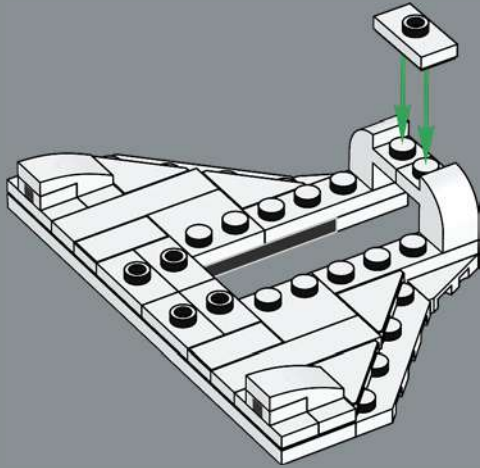


4

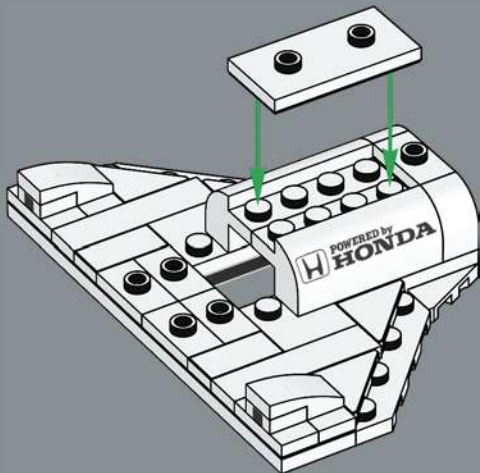




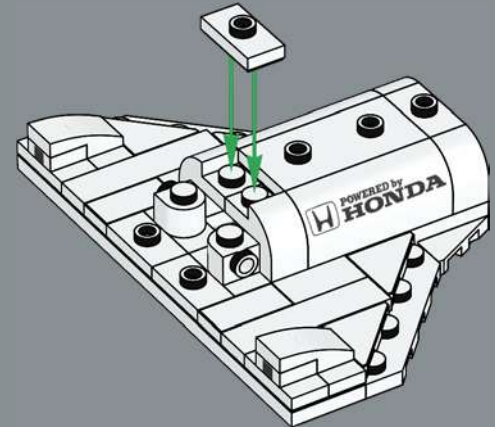
141



142

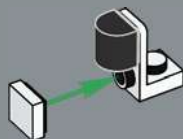


143





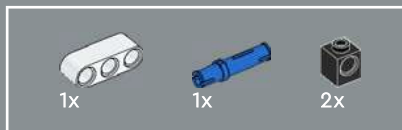
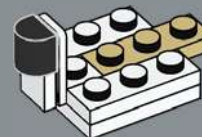
144



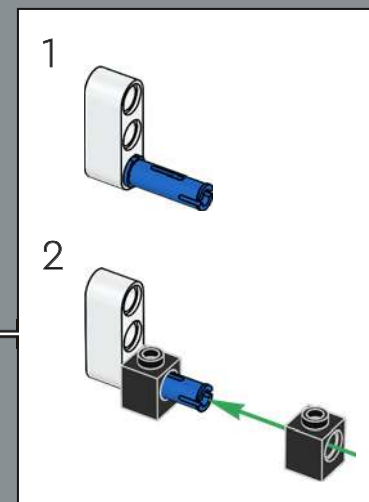
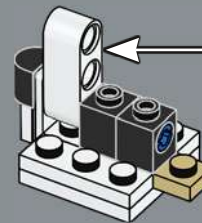
145



146

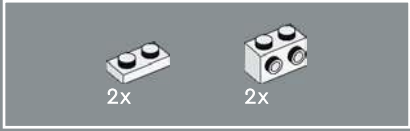
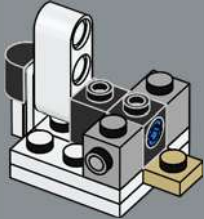


147

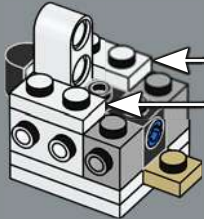
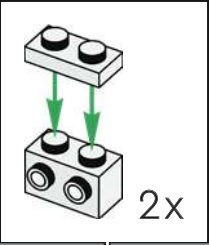




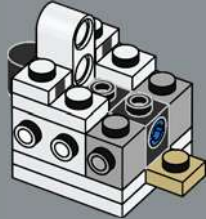
148



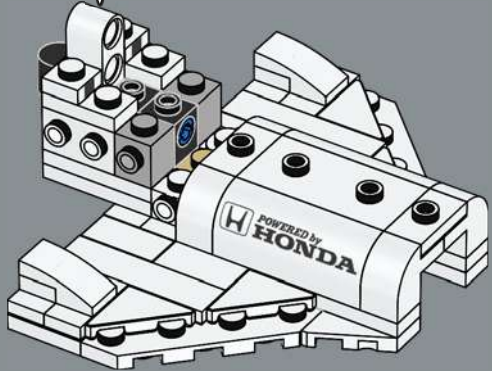
149

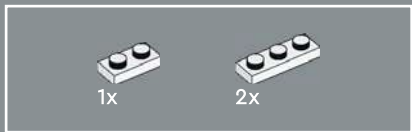


150

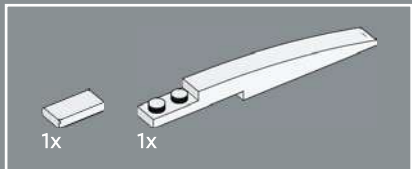
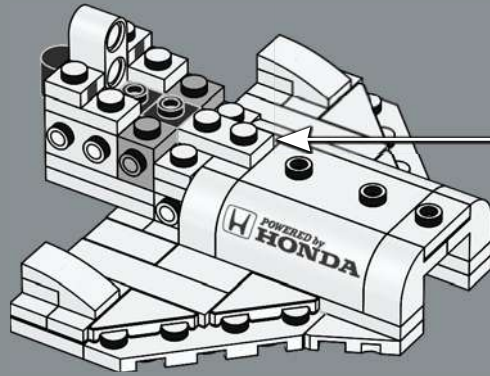
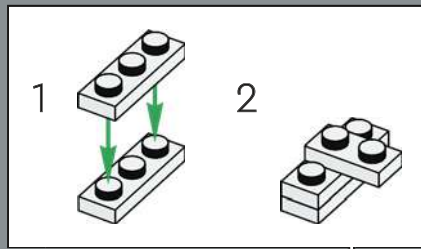


151

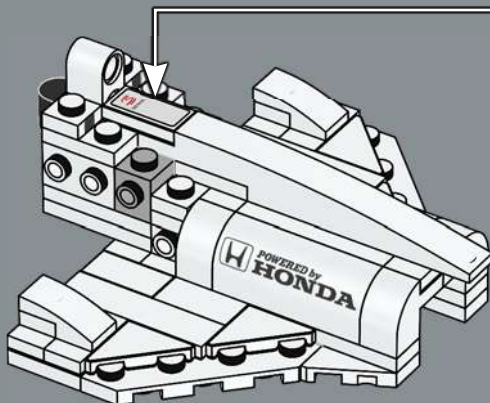
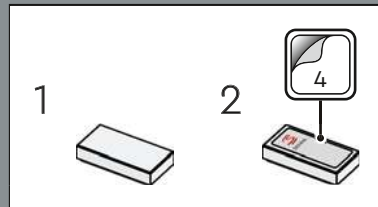




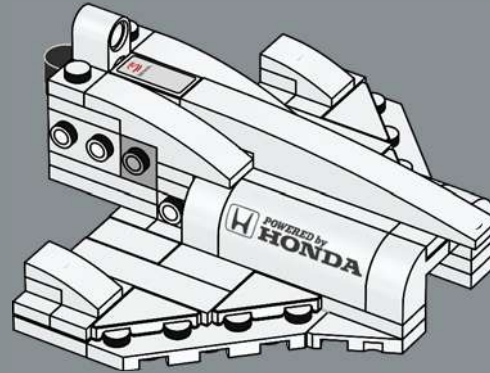
152



153

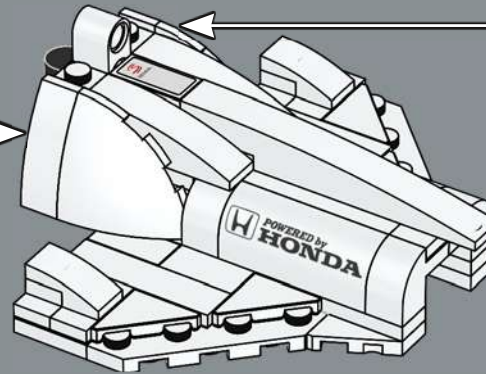
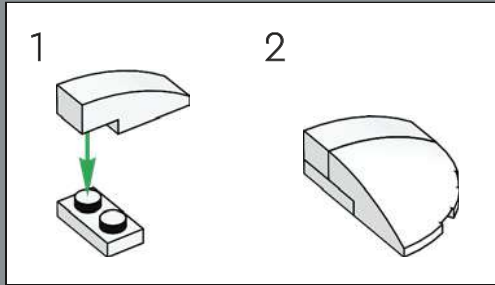
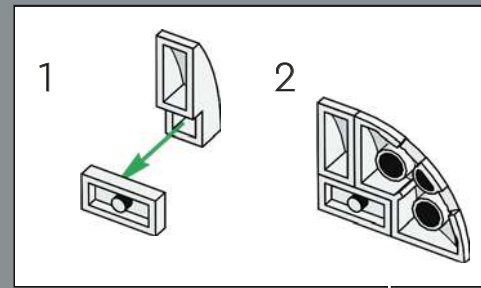


154

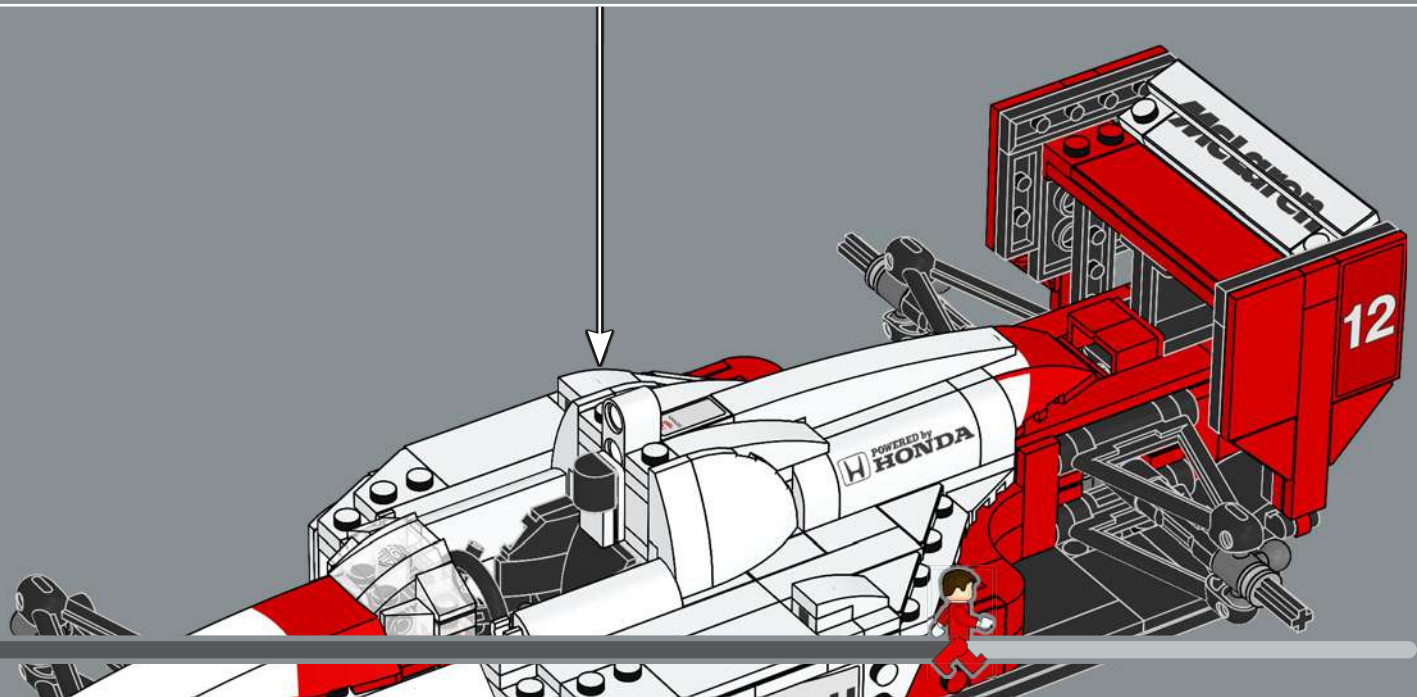




155

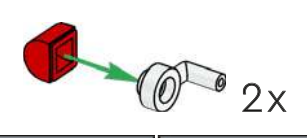
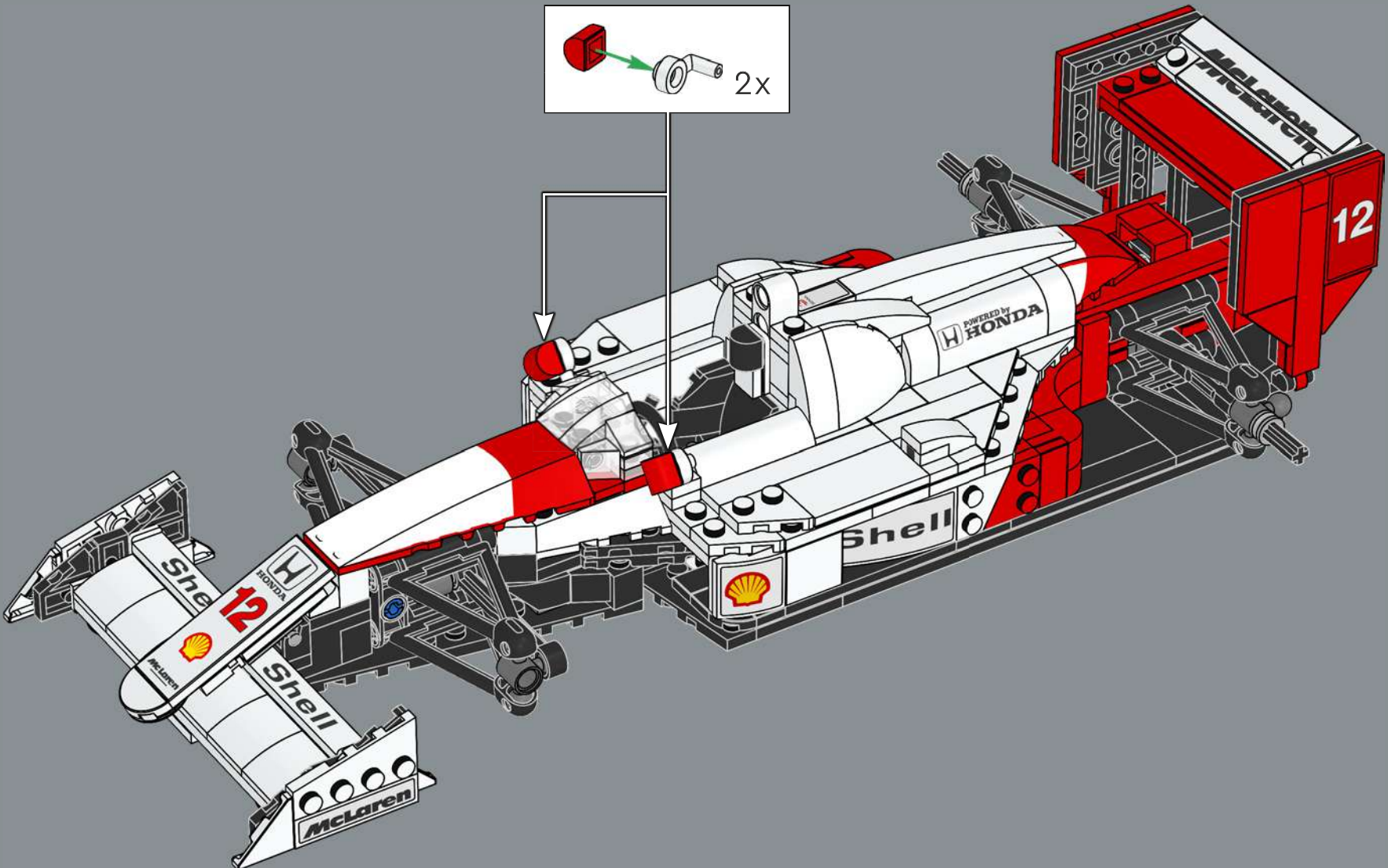


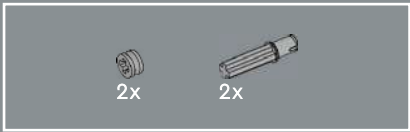
156



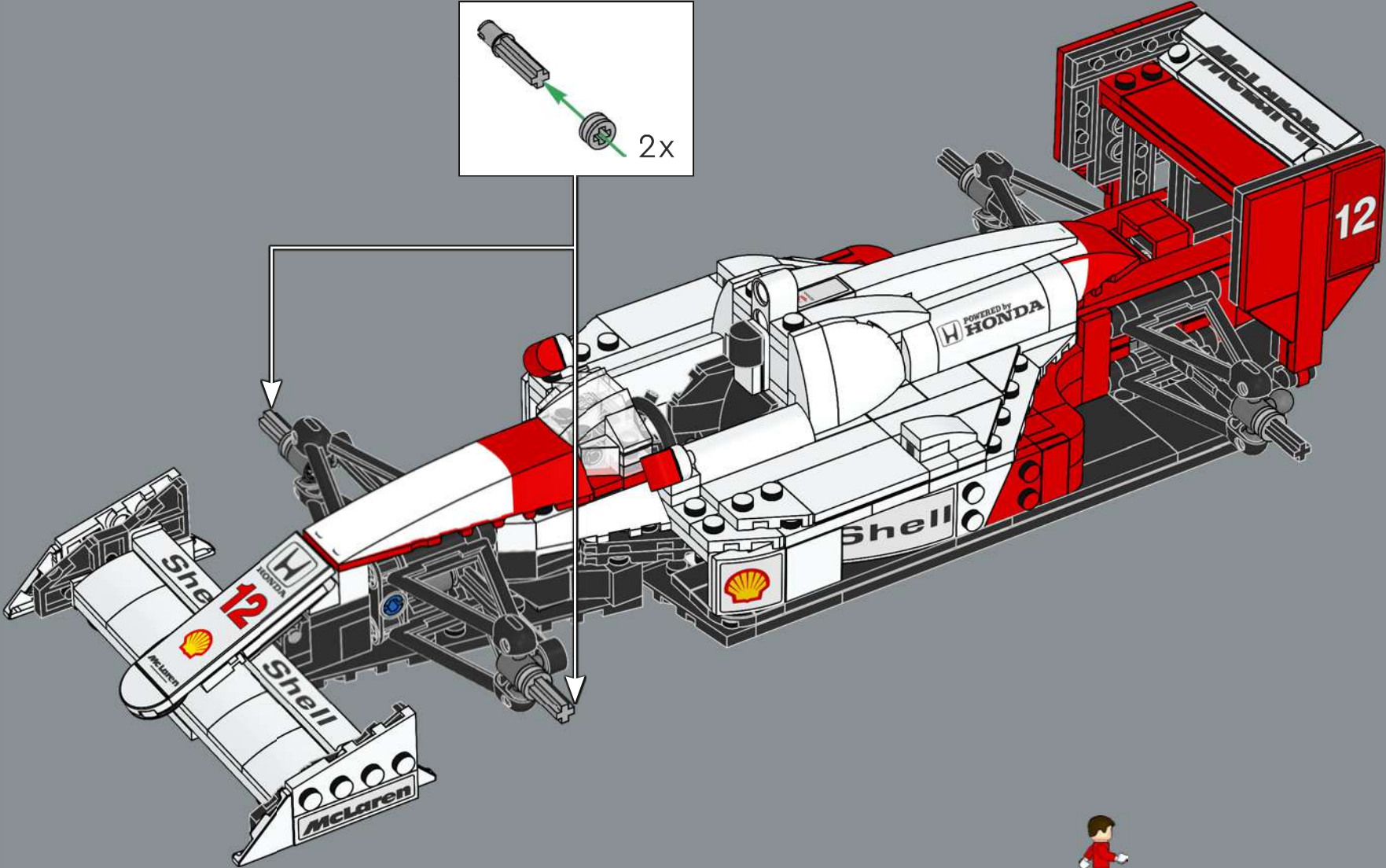
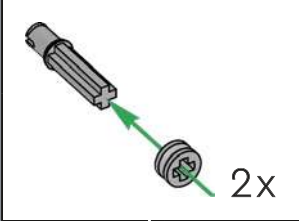


157

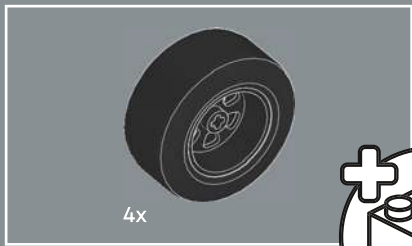




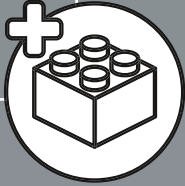
158



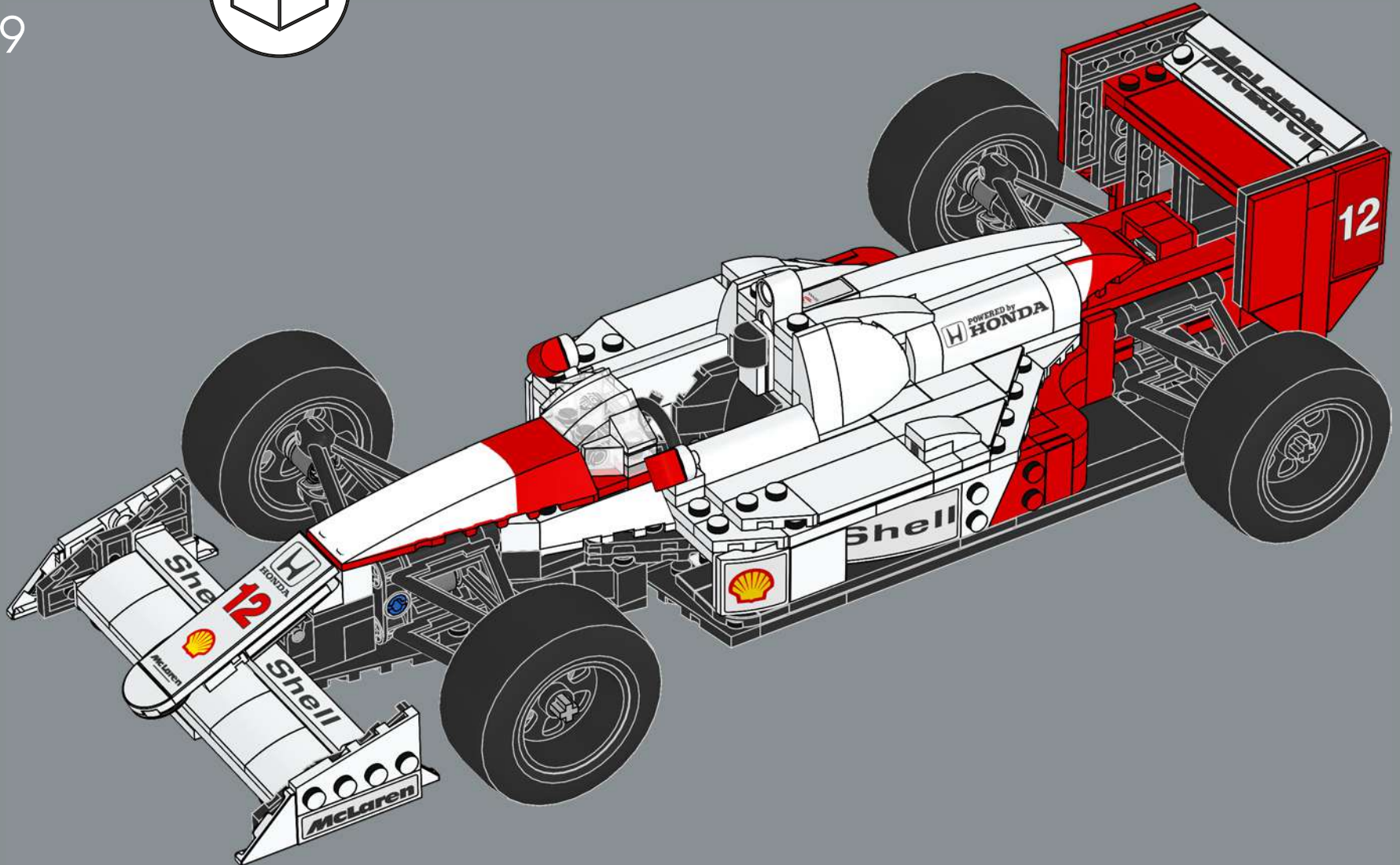
Every nanosecond counts when a Formula 1 car is in the pit, so we designed new wheels that are super-fast to remove or reattach!



4x



159

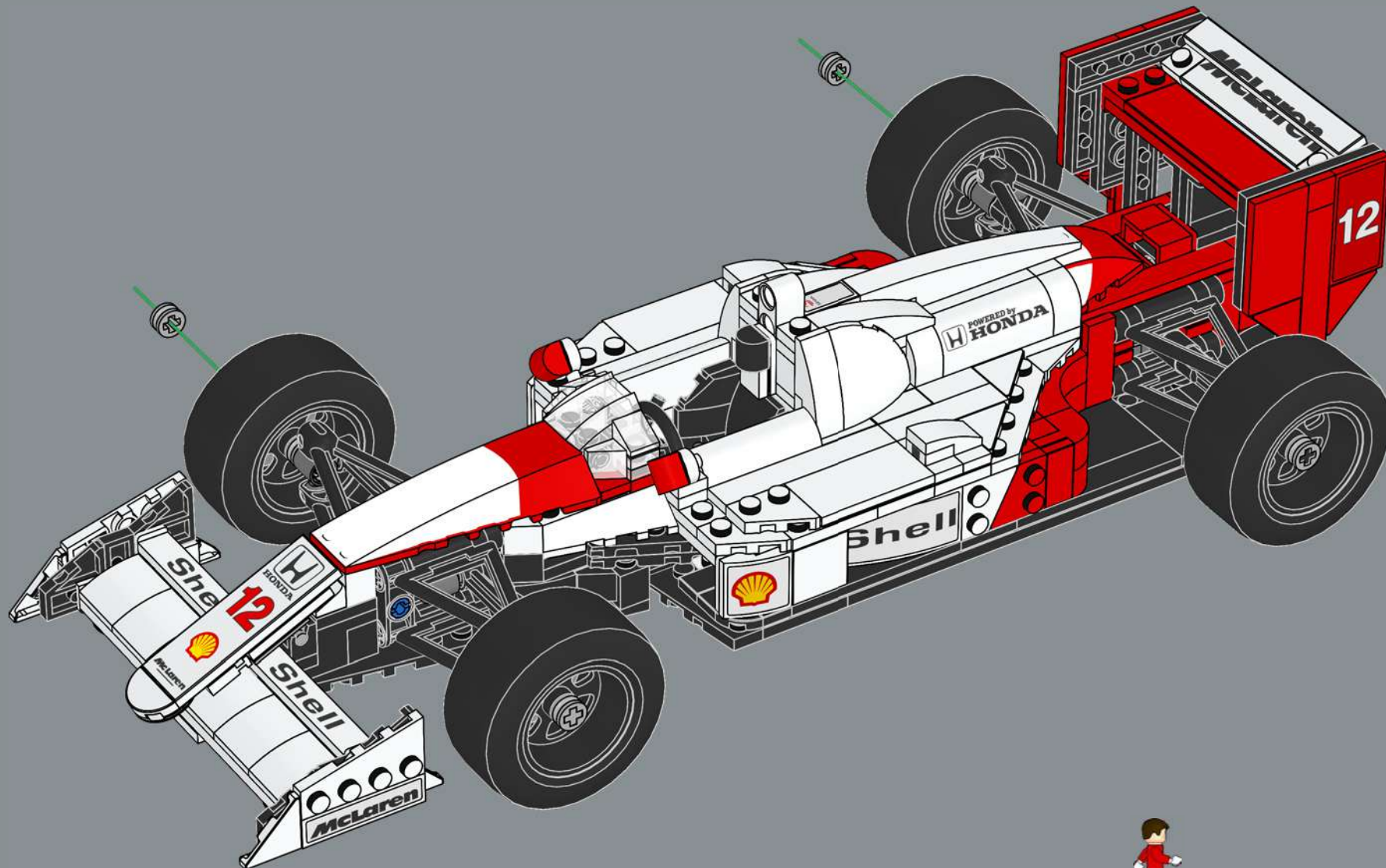


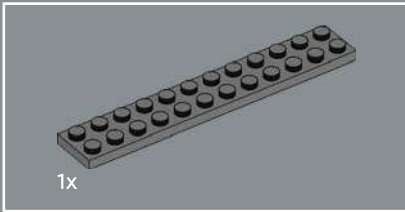
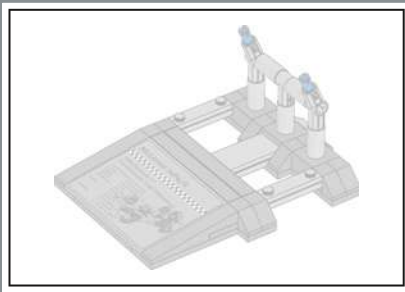
"No matter what your dream is, you have to dedicate yourself entirely to it." – Ayrton Senna



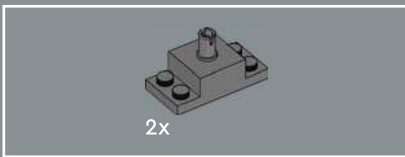
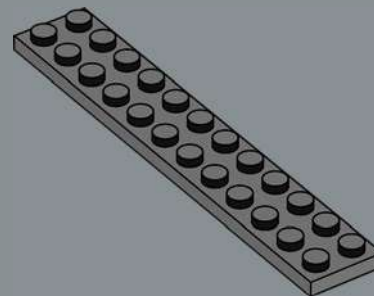
4x

160

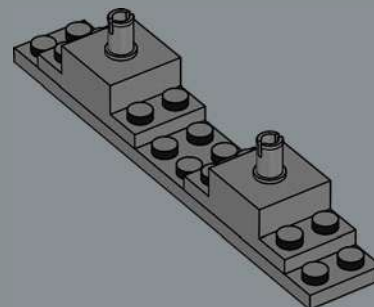


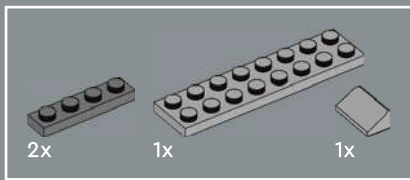


161

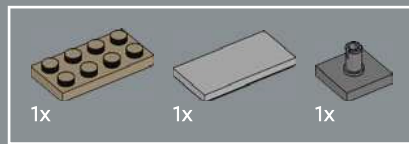
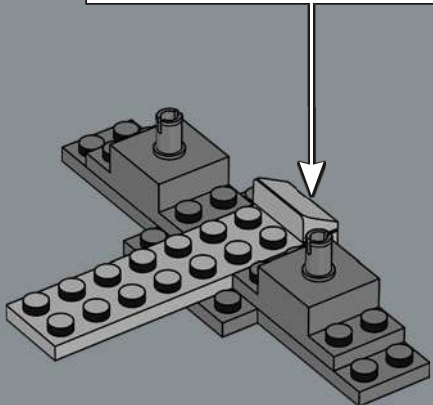
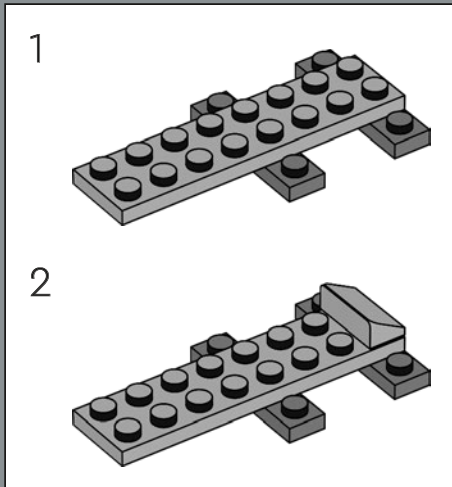


162

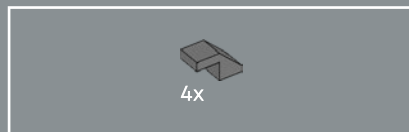
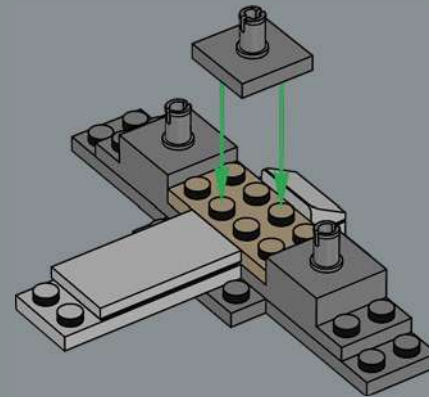




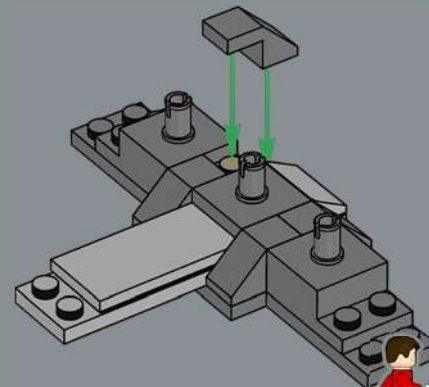
163

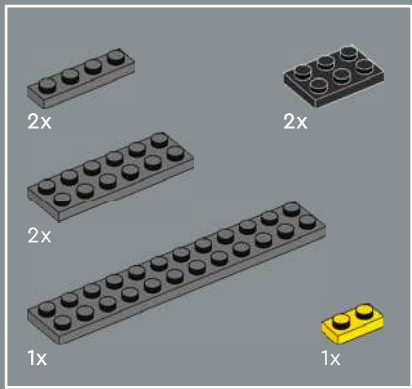


164

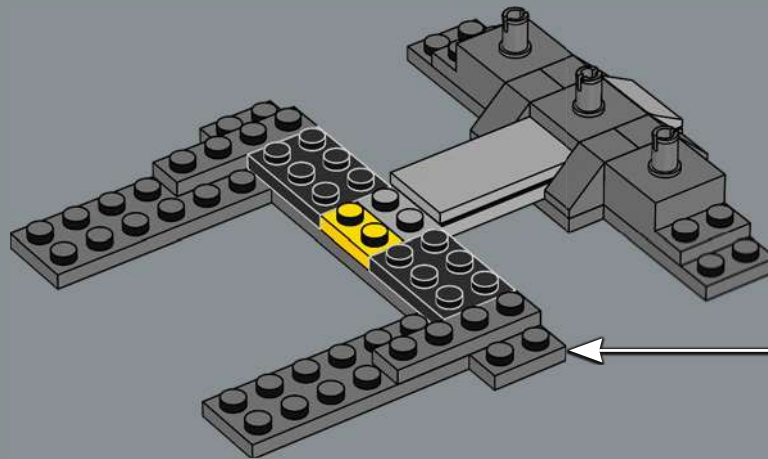
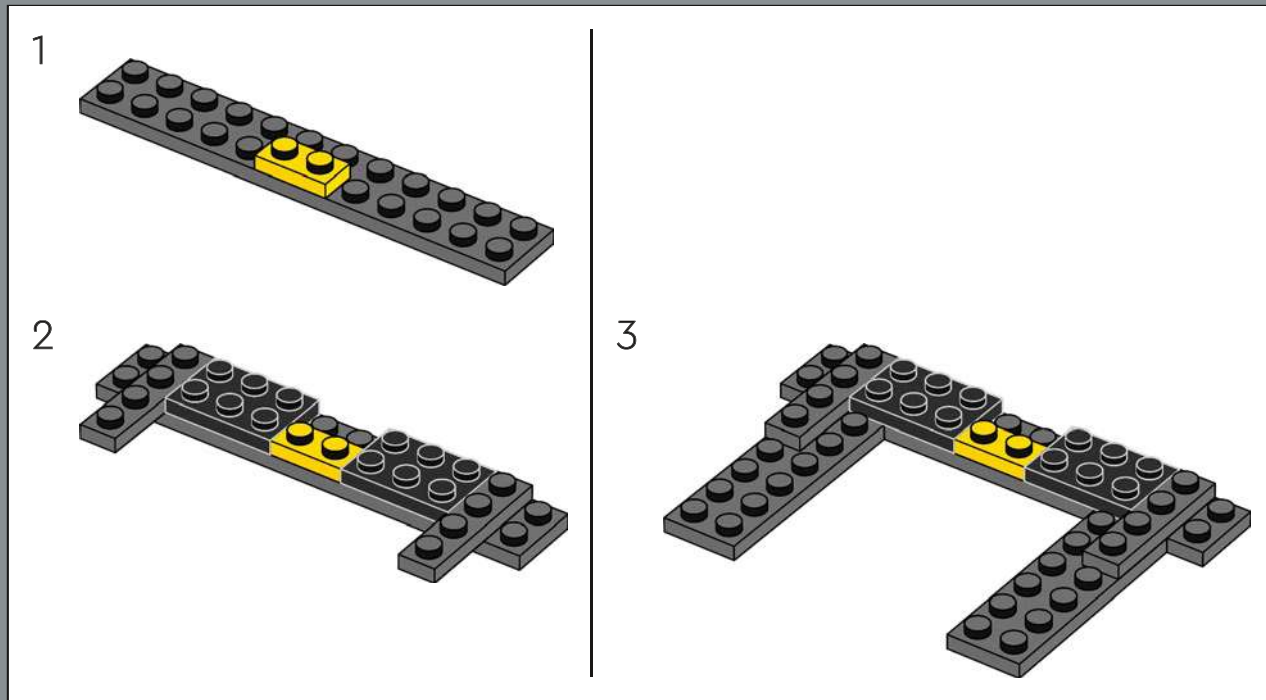


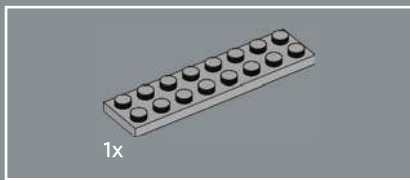
165



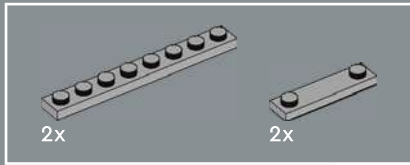
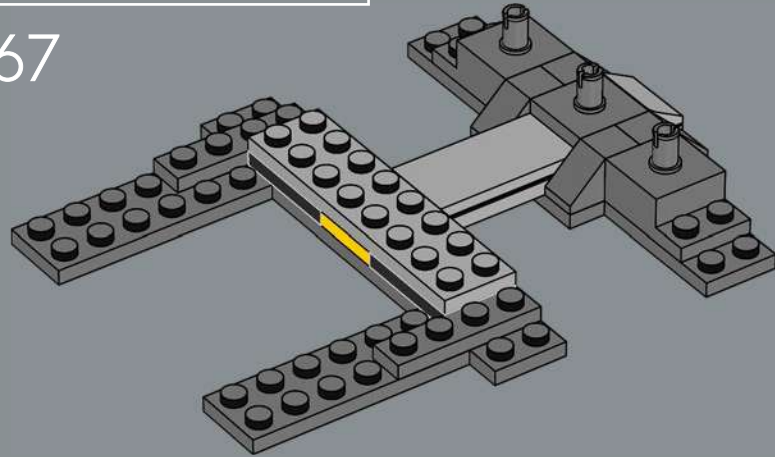


166

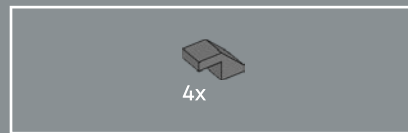
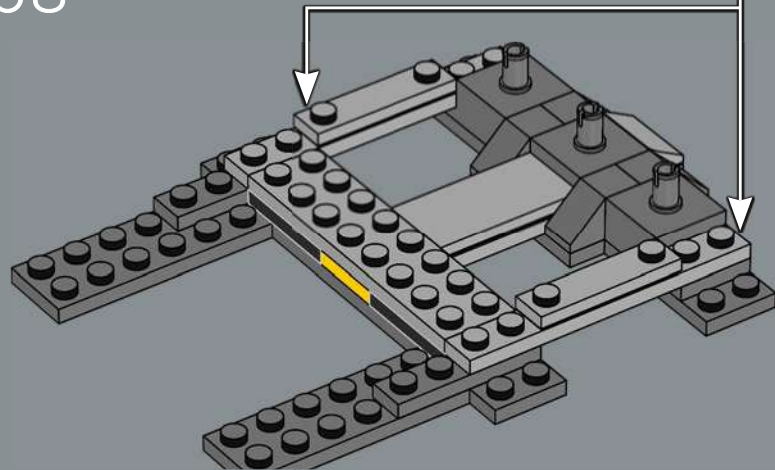




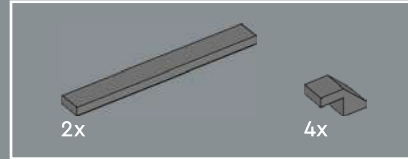
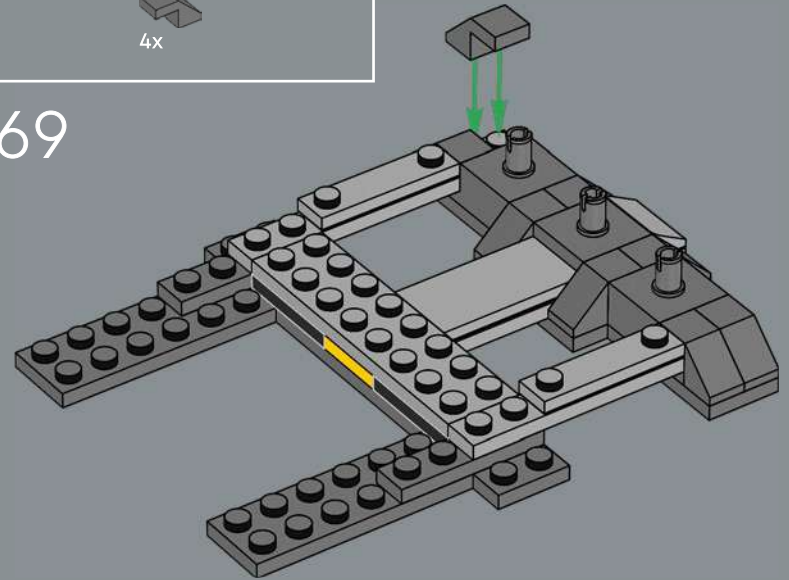
167



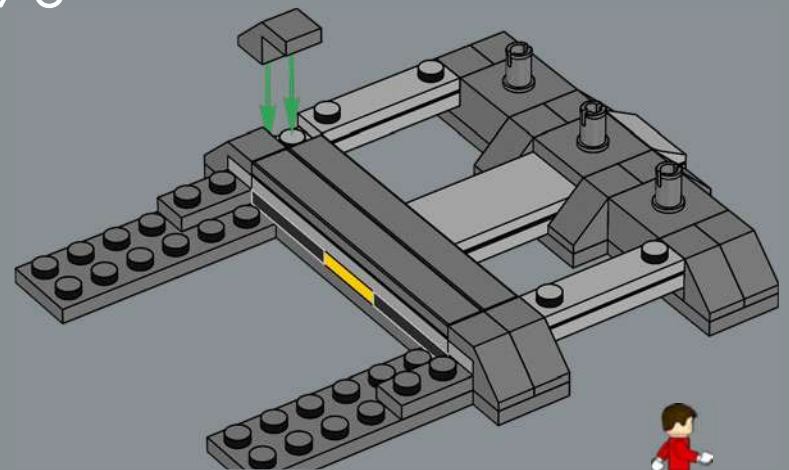
168

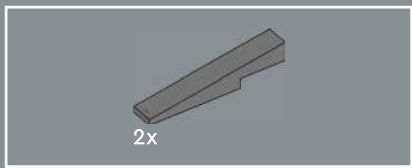


169

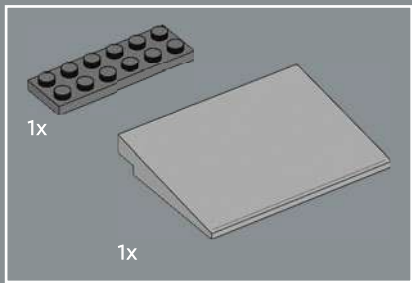
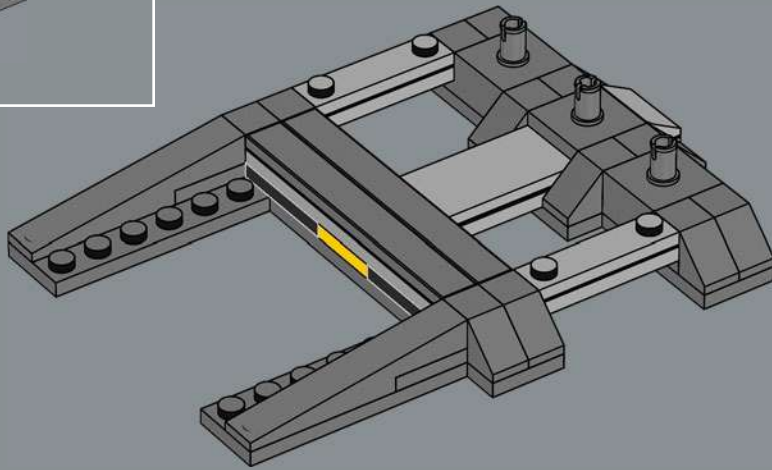


170

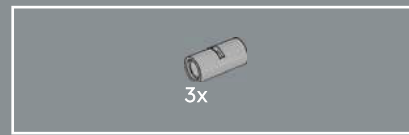
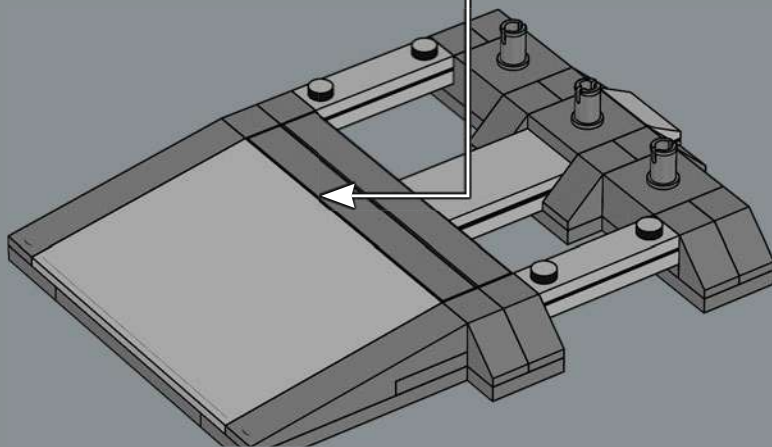
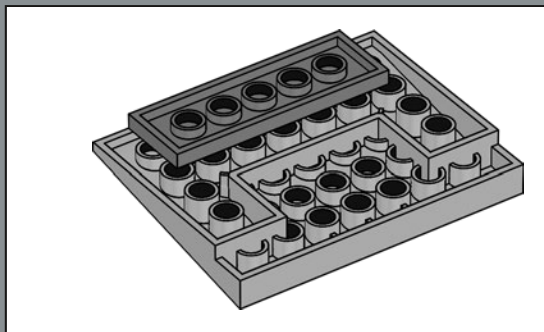




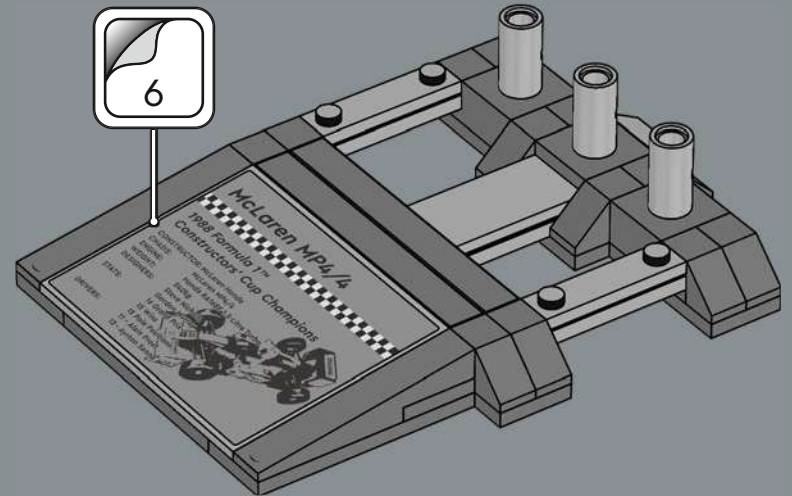
171

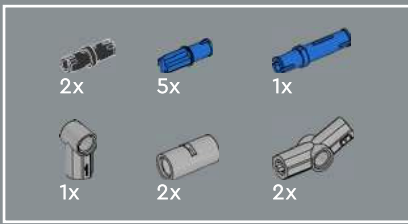


172

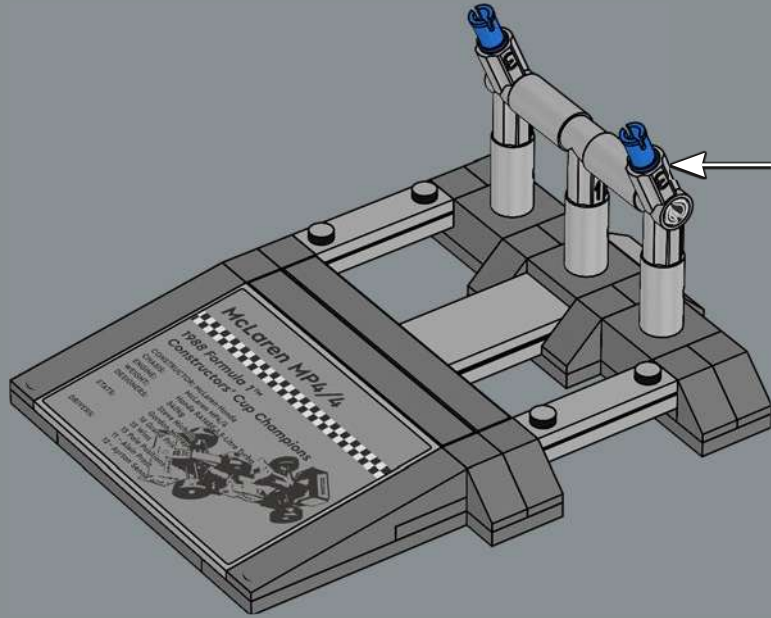
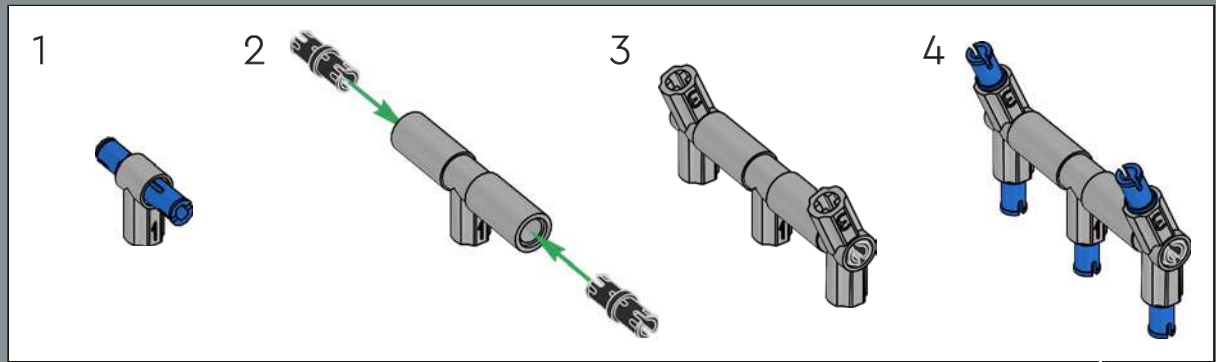


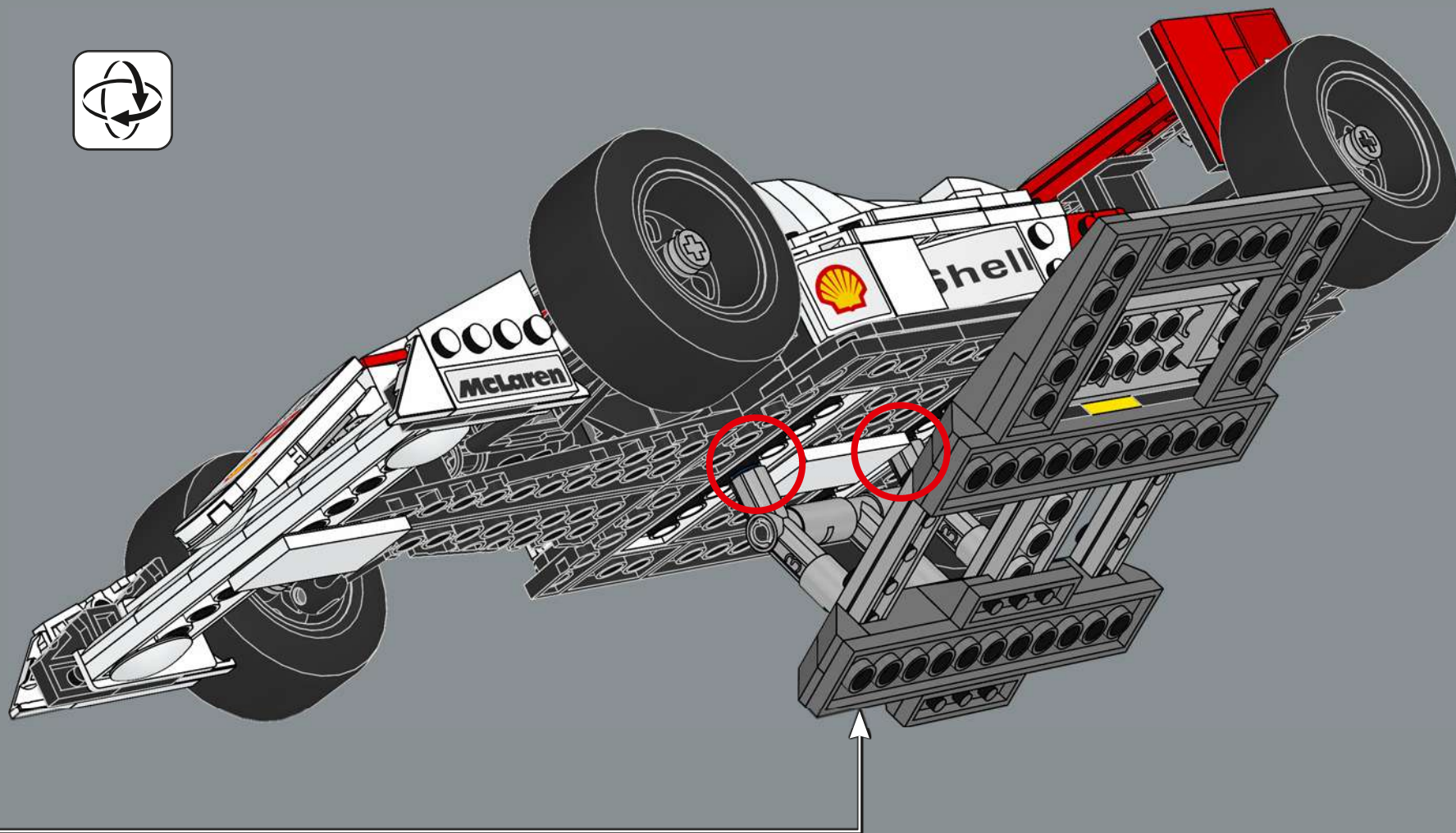
173

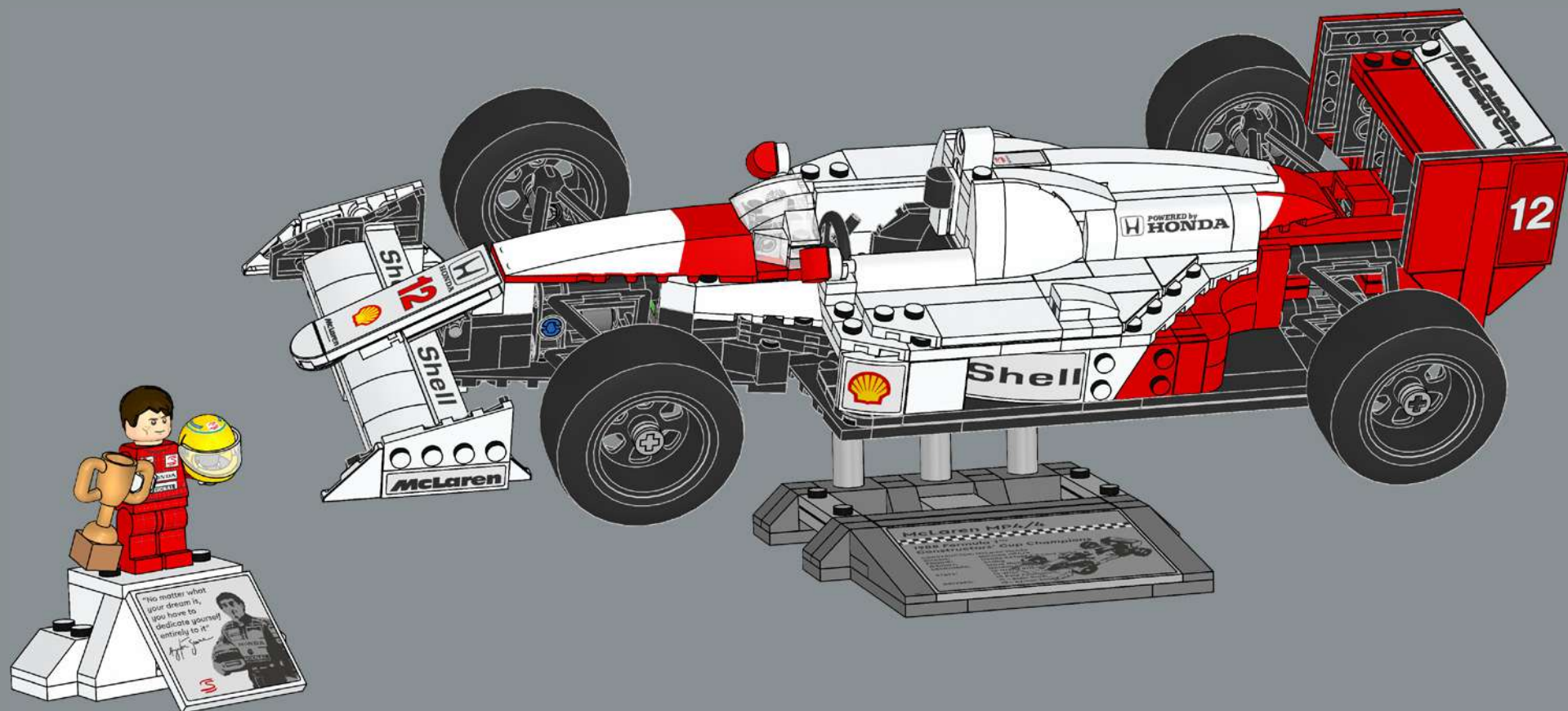




174







The model is scale 1:13 – similar to other LEGO® Icons vehicles.

- 1x 6206149
- 2x 6439046
- 6x 6446788
- 2x 6328195
- 4x 407001
- 2x 4504369
- 1x 307001
- 1x 300501
- 1x 623101
- 4x 6202501
- 2x 302401
- 2x 6348055
- 1x 6337079
- 2x 6242241
- 2x 6437184
- 1x 6477750
- 4x 6132203
- 4x 6132204
- 1x 6400114
- 1x 4160857
- 1x 4161326
- 1x 4547489
- 3x 4278271
- 1x 6477744
- 2x 4515370
- 2x 300401
- 10x 302301
- 1x 6178921
- 10x 6051511
- 5x 306901
- 2x 6058177
- 4x 6285777
- 2x 6034044
- 2x 6097637
- 1x 4249563
- 6x 6217875
- 3x 303901
- 8x 6047220
- 2x 302201
- 2x 306801
- 2x 6218822
- 2x 242001
- 1x 4208160
- 2x 6334524
- 6x 362301
- 2x 4249112
- 2x 6195371
- 1x 6188400
- 2x 6168618
- 2x 6294284
- 2x 4160215
- 2x 371001
- 4x 243101
- 2x 6045936
- 1x 4179872
- 3x 6104805
- 2x 6031947
- 1x 300101
- 2x 6440438
- 1x 4179873
- 3x 4560178
- 1x 6315024
- 2x 6475056
- 1x 6132741
- 1x 366601
- 2x 663601
- 2x Shell
- 2x 6475058
- 1x 6400128
- 1x 379501
- 1x 6475054
- 1x McLaren
- 1x 6475053
- 1x 346001
- 1x 6475052
- 2x 4527945
- 1x 6035405
- 3x 244501
- 2x 6232135
- 2x 4224793
- 4x 4666579
- 1x 4121921
- 12x 307021
- 2x 4190219
- 2x 6187620
- 10x 6397571
- 2x 302421
- 2x 6278441
- 1x 6141552
- 1x 6141553
- 2x 4142865
- 1x 6475062
- 4x 6135130
- 2x 6146217
- 4x 6184782
- 2x 306921
- 1x 6089698
- 2x 6319330
- 1x 4612575
- 4x 6351892
- 2x 6346804
- 1x 6359066
- 1x 6385920
- 6x 242021
- 2x 4533742
- 4x 6294331
- 1x 6479532
- 2x 300221
- 2x 6129995
- 1x 6475057
- 4x 4560179
- 4x 4113858
- 1x 6335578
- 1x 346021
- 1x 6475049
- 2x 383221

4

5x
4206482

1x
6297279

1x
370023

6x
6299413

4x
6195183

1x
6475064

1x
4519010

6x
302324

3x
6119197

3x
302224

1x
6475060

1x
6181575

1x
6254100

4x
407026

1x
6439560

2x
654126

1x
6273589

2x
302426

1x
4273590

2x
6344752

2x
6295295

2x
6141554

1x
6344427

1x
6438919

2x
6295293

2x
6141556

1x
6344428

1x
6196548

1x
6210270

2x
6181713

12x
6279875

3x
6195273

2x
6143850

1x
6370669

3x
6173119

1x
393726

1x
6178922

6x
302326

1x
6092585

1x
6313116

4x
306926

2x
370026

2x
4593678

3x
6047276

1x
4541191

2x
6428168

4x
6331723

6x
302226

4x
242026

2x
306826

10x
6192346

2x
6133722

4x
6053077

4x
6162892

4x
6162892

4x
371026

2x
4516020

2x
6174917

1x
6386234

4x
302126

1x
6395375

1x
4209013

1x
4209003

3x
4515368

3x
6276951

2x
6286381

4x
362326

8x
6327028

2x
389426

4x
6350415

4x
663626

1x
4243819

2x
617926

1x
6284070

2x
6424674

1x
6256435

6x
4504382

2x
6172383

2x
6181720

3x
4558954

2x
370526

2x
370526

2x
370526

1x
4580509

2x
4629921

8x
6464609

4x
6464551

1x
346026

2x
303426

1x
303526

1x
6472683

1x
4166619

2x
428226

4

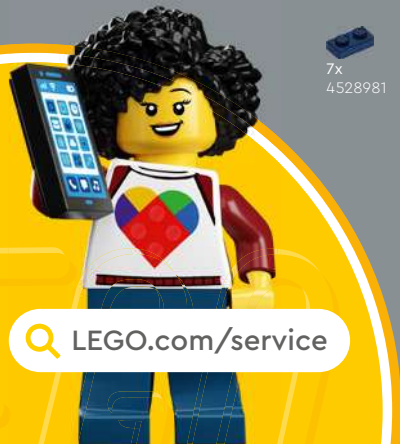
- 1x 4535553
- 1x 6383946
- 2x 6107389
- 1x 4624473
- 1x 6174023
- 2x 6357612
- 3x 6141590
- 1x 4267874
- 2x 6156875
- 6x 6208447
- 4x 6410057
- 3x 6051507
- 4x 6294879
- 2x 6092115
- 4x 6245250
- 4x 6252041
- 1x 6244787
- 1x 6475063
- 7x 4528981

- 8x 6271165
- 1x 6296859
- 2x 6262085
- 2x 4558953
- 4x 6308012
- 3x 4211508
- 1x 4568637
- 3x 6372076
- 5x 6173127
- 1x 4211440
- 4x 6123809
- 2x 6043656
- 3x 6385183

- 1x 6482958
- 2x 6315900
- 1x 4211881
- 2x 6261387
- 6x 6456718
- 2x 6257593
- 2x 4211445
- 1x 4560183
- 2x 6372029
- 2x 4211425
- 2x 4211406
- 1x 6440325

- 1x 6207934
- 2x 6271752
- 5x 4211044
- 2x 6336390
- 2x 6360111
- 2x 4211095
- 8x 6282144
- 1x 6269999
- 12x 6168776
- 1x 6291791
- 4x 6435267
- 4x 6359227

- 2x 6146321
- 1x 6313189
- 1x 6405646
- 1x 4210751
- 4x 4211133
- 4x 4211001
- 2x 6301436
- 2x 6470155
- 3x 4211002
- 2x 4211008
- 2x 4211067



 [LEGO.com/service](https://www.LEGO.com/service)



YOU COULD WIN



YOU COULD WIN

Your feedback will help shape the future development of this product series.

Visit:

DU KÖNNTEST GEWINNEN

Dein Feedback trägt zur Weiterentwicklung dieser Produktreihe bei.

Geh auf:

VOUS POURRIEZ GAGNER

Vos commentaires nous aideront à concevoir les futurs produits de cette gamme.

Visitez :

POTRESTI VINCERE TU

La tua opinione ci aiuterà a migliorare la creazione futura di questa linea di prodotti.

Visita:

PUEDES GANAR

Tu opinión contribuirá al futuro de esta serie de productos.

Visita:

轻松获奖

您的反馈将有助于我们在今后改进本产品系列。

请访问:

[LEGO.com/productfeedback](https://www.lego.com/productfeedback)

You also have the chance to win a LEGO® set.

Terms and conditions apply.*

Außerdem hast du die Chance, ein LEGO® Set zu gewinnen.

Es gelten die Teilnahmebedingungen.*

Vous pourriez également gagner un ensemble LEGO®.

Des conditions s'appliquent.*

Hai anche la possibilità di vincere un set LEGO®.

Termini e condizioni sono applicabili.*

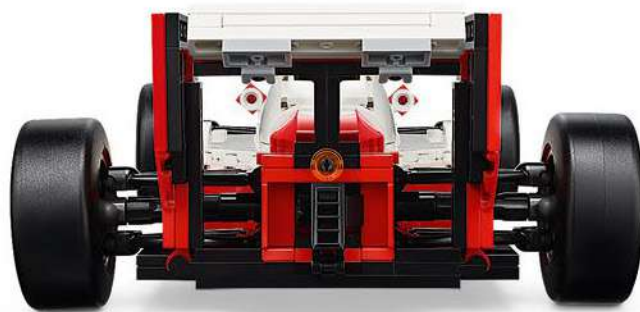
También tienes la oportunidad de ganar un set LEGO®.

Aplican términos y condiciones.*

您还有机会赢取乐高®套装。

条款和条件适用。*

*[LEGO.com/productfeedback-terms](https://www.lego.com/productfeedback-terms)



LEGO and the LEGO logo are trademarks of the LEGO Group. ©2024 The LEGO Group. 6503512

© 2024 ASE – Produced under license from Senna Brands

Manufactured under license from McLaren Racing Limited. 'McLaren' is a trademark of McLaren Services Limited.
The Sponsor branding marks featured are historic and representative of the branding of the historic era.

