



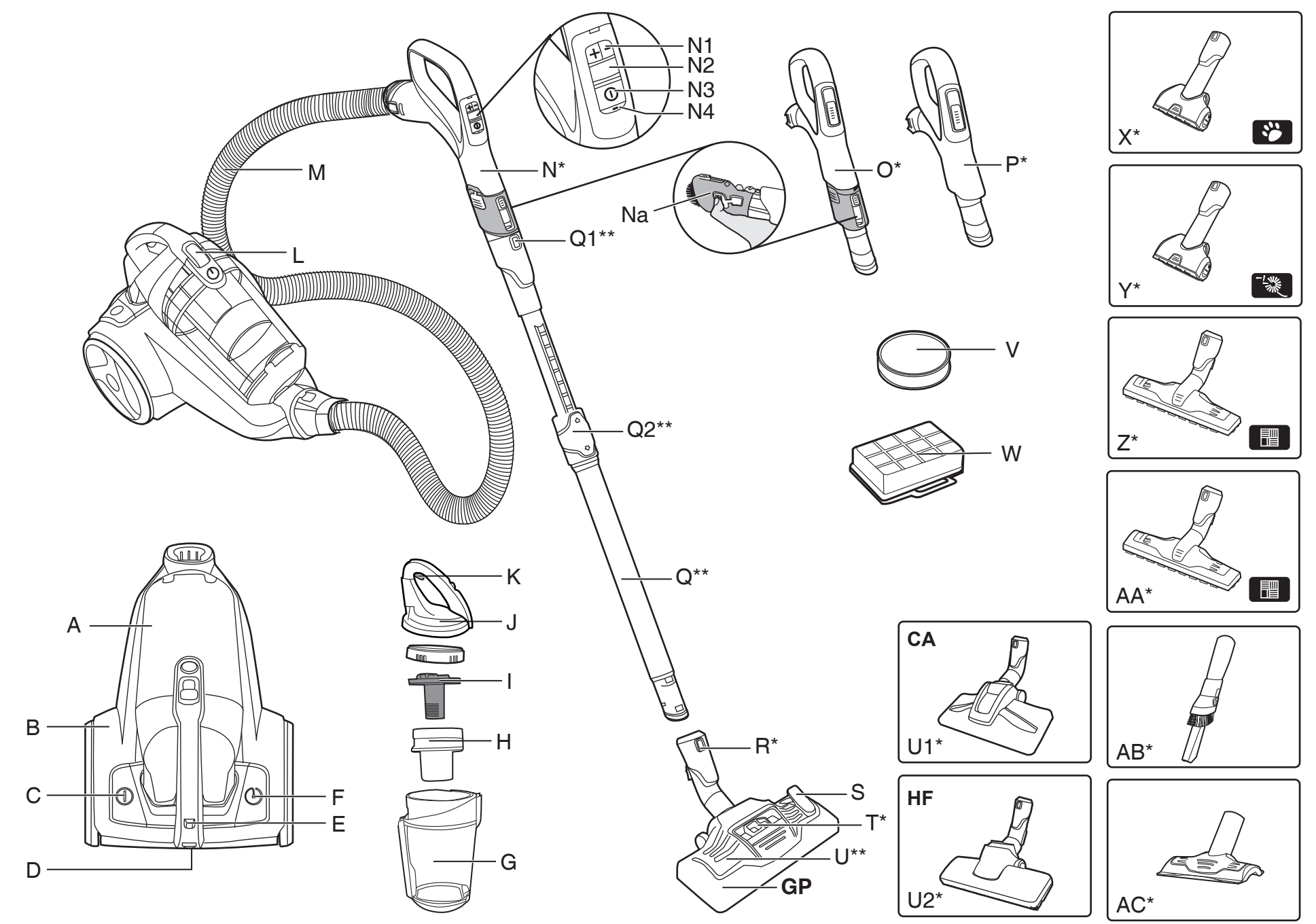
# HOOVER



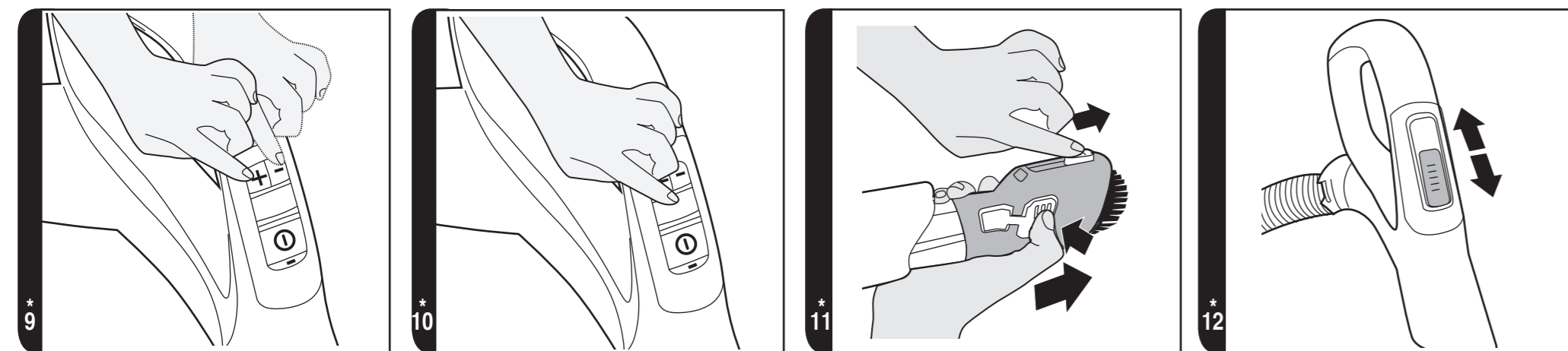
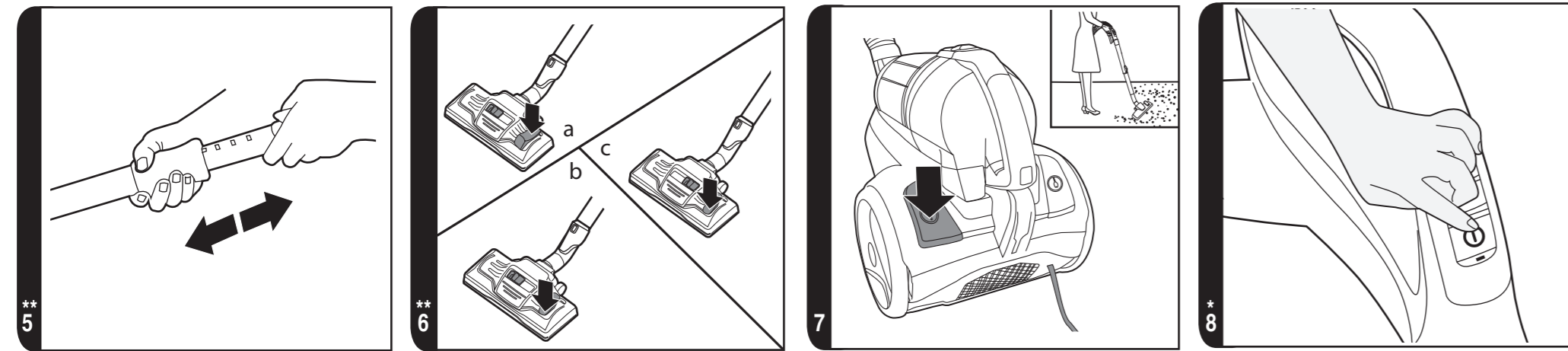
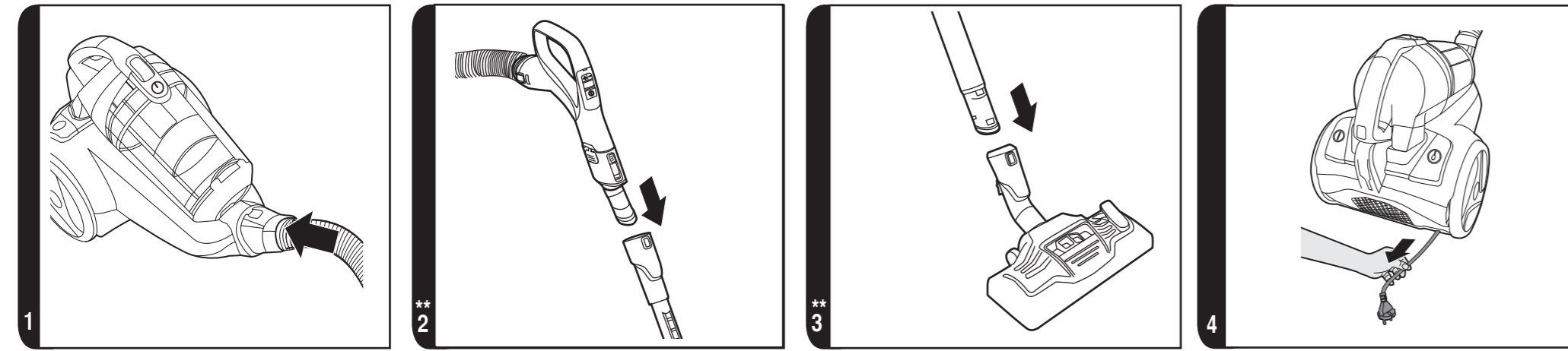
USER MANUAL (GB) .....P 01  
 MANUEL D'UTILISATION (FR) .....P 05  
 BEDIENUNGSANLEITUNG (DE) .....P 09  
 MANUALE ISTRUZIONI (IT) .....P 13  
 GEBRUIKERSHANDLEIDING (NL) .....P 17  
 MANUAL DE INSTRUÇÕES (PT) .....P 21  
 MANUAL DE INSTRUCCIONES (ES) .....P 25  
 BRUGERVEJLEDNING (DK) .....P 29  
 BRUKSANVISNING (NO) .....P 33  
 INSTRUKTIONSMANUAL (SE) .....P 37  
 KÄYTTÖOHJE (FI) .....P 41  
 ΟΔΗΓΙΕΣ ΧΡΗΣΕΩΣ (GR) .....P 45  
 РУКОВОДСТВО ПОЛЬЗОВАТЕЛЯ (RU) .....P 49  
 INSTRUKCJA OBSŁUGI (PL) .....P 53  
 NÁVOD K OBSLUZE (CZ) .....P 57  
 UŽÍVATELSKÝ MANUÁL (SK) .....P 61  
 KULLANIM KILAVUZU (TR) .....P 65  
 HASZNÁLATI ÚTMUTATÓ (HU) .....P 69



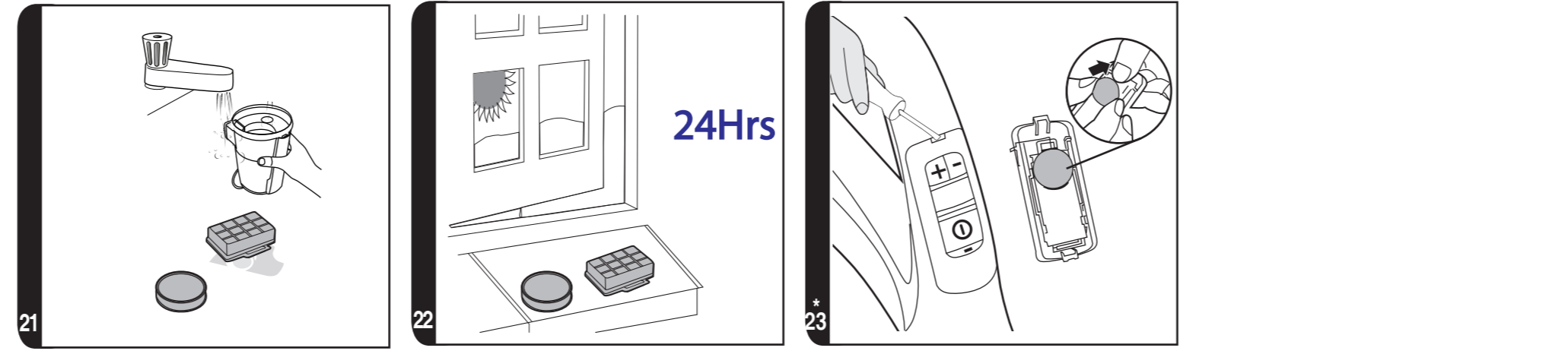
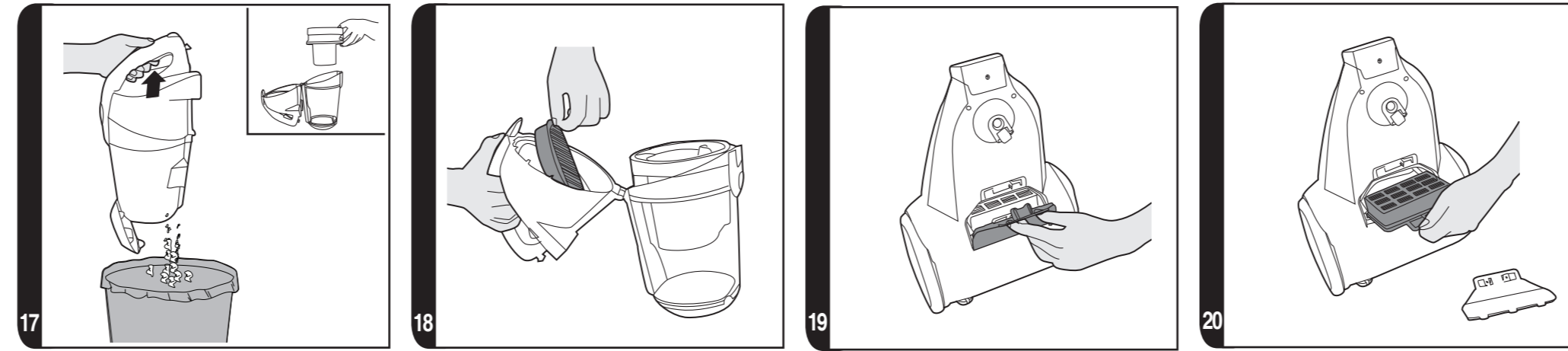
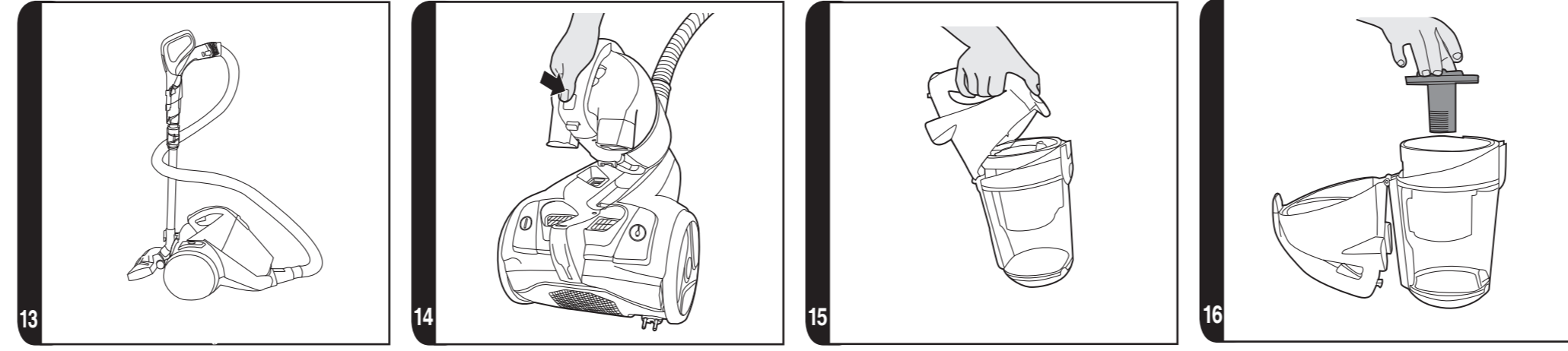
PRINTED IN P.R.C.  
48026034-1



\* Certain models only    \*\* May vary according to models



\* Certain models only \*\* May vary according to models



\* Certain models only \*\* May vary according to models

## INSTRUCTIONS FOR SAFE USE

This appliance should only be used for domestic cleaning, as described in this user guide. Please ensure that this guide is fully understood before operating the appliance.

Do not leave the appliance plugged in. Always switch off and remove the plug from the socket after use, or before cleaning the appliance or any maintenance task.

This appliance can be used by children aged from 8 years and above and persons with reduced physical, sensory or mental capabilities or lack of experience and knowledge if they have been given supervision or instruction concerning use of the appliance in a safe way and understand the hazards involved. Children shall not play with the appliance.

Cleaning and user maintenance shall not be made by children without supervision.

If the power cord is damaged stop using the appliance immediately. To avoid a safety hazard, an authorised HOOVER service engineer must replace the power cord.

Keep hands, feet, loose clothing and hair away from rotating brushes.

Use only attachments, consumables or spares recommended or supplied by HOOVER.

**Static electricity:** Some carpets can cause a small build up of static electricity. Any static discharge is not hazardous to health.

Do not use your appliance out of doors or on any wet surface or for wet pick up.

Do not pick up hard or sharp objects, matches, hot ashes, cigarette ends or other similar items.

Do not spray with or pick up flammable liquids, cleaning fluids, aerosols or their vapours.

Do not run over the power cord when using your appliance or remove the plug by pulling on the power cord.

Do not continue to use your appliance if it appears faulty.

Do not stand on or wrap the cord around arms or legs when

using your appliance.

Do not use the appliance to clean animals or people.

Do not position the appliance above you when cleaning the stairs.

**Keep batteries away from children.**

**If a battery is swallowed, immediately consult a doctor.**

Exhausted batteries are to be removed from the appliance and safely disposed of.

If the appliance is to be stored unused for a long period, the batteries should be removed and stored safely.

If the appliance is to be disposed of the batteries must first be removed.

The appliance must be disconnected from the supply mains when removing the battery.

Dispose of the batteries safely.

Use only battery type Lithium CR2032 3V. Non-rechargeable type.

Batteries are to be inserted with the correct polarity: The positive pole “+” is on the top side. [23]

Non-rechargeable batteries are not to be recharged.

The battery terminals are not to be short-circuited.

**HOOVER service:** To ensure the continued safe and efficient operation of this appliance we recommend that any servicing or repairs are only carried out by an authorised HOOVER service engineer.

### The Environment

The symbol on this appliance indicates that this appliance may not be treated as household waste. Instead it must be handed over to the applicable collection point for the recycling of electrical and electronic equipment. Disposal must be carried out in accordance with local environmental regulations for waste disposal. For more detailed information about treatment, recovery and recycling of this appliance, please contact your local city office, your household and waste disposal service or the shop where you purchased the appliance.



### For Models with Hi-Controller Remote Control:

Frequency bands	300Mhz ~ 450Mhz
Maximum RF power transmitted in the frequency band	11 dBm

**C** With this the Candy Hoover Group Srl, declares that this appliance marked with **E** complies with the essential requirements of the Directives 2014/53/EU and 2011/65/EU. To receive a copy of the declaration of conformity, please contact the manufacturer at: [www.candy-group.com](http://www.candy-group.com)

**For all other Models:**

**C** This product complies with the European Directives 2014/35/EU, 2014/30/EU and **E** 2011/65/EU.

CANDY HOOVER GROUP S.r.l. Via Privata Eden Fumagalli, 20861 Brugherio (MB) Italy

## GETTING TO KNOW YOUR CLEANER

A. Dust Bin Assembly	And Integrated Accessories: Crevice Tool,
B. Cleaner Main Body	Dusting Brush and Furniture Tool* (See <b>Na</b> )
C. On/Off Pedal	P. Essential Handle With Soft Grip, Suction
D. Park Slot	Regulator and Integrated Crevice Tool*
E. Dust Bin Release Button	Q. Telescopic Tube**
F. Cord Reel Pedal	Q1. Telescopic Tube Secure Connection*
G. Dust Bin	Q2. Telescopic Tube Adjuster**
H. Cyclone Body	R. Carpet and Floor Nozzle Secure Connection*
I. Vortex Finder ( Metallic Red )	S. Floor Type Selector Pedal
J. Dust Bin Lid	T. Carpet and Floor Nozzle Slider*
K. Dust Bin Flap Release Trigger	U. Carpet and Floor Nozzle ( <b>GP</b> )**
L. Dust Bin Lid Release Button	U1. Carpet Nozzle ( <b>CA</b> )**
M. Hose	U2. Hard Floor Nozzle ( <b>HF</b> )**
N. Hi-Controller Remote Control	V. Pre-motor Filter
Handle With Soft Grip*	W. Exhaust Filter
N1. Variable Power Control Buttons	X. Mini Turbo Dual Action Pet
N2. Silent Power Button	Hair Remover Nozzle*
N3. On/Off Button	Y. Mini Turbo Dual Action Allergen
N4. Led Battery Indicator Of	Remover Nozzle*
Handle's Remote Control	Z. Parquet Extra Care Nozzle*
Na. Integrated Accessories onto the	AA. Parquet Care Nozzle*
handle: Crevice tool, Dusting	AB. Long 2in1 Tool *
Brush and Furniture tool*	AC. XL Furniture Nozzle*
O. Advanced Comfort Handle With	
Soft Grip, Suction Regulator	

\*Certain Models Only \*\* May vary according to models

## ASSEMBLING YOUR CLEANER

Remove all components from the packaging.

1. Connect the hose to the cleaner main body, ensuring it clips and locks into position. To release the hose: simply press the latches on the hose end and pull. **[1]**
2. Connect the hose handle\*\* to the upper tube end. **[2]**
3. Connect the tube lower end to the carpet and floor nozzle\*\* or accessories if required. **[3]**

## USING YOUR CLEANER

1. Extract the power cord and plug it into the power supply. Do not pull the cord beyond the red marker. **[4]**
2. Adjust the telescopic tube to the desired height by moving the telescopic tube adjuster\*\* and raise or lower the tube to the most comfortable cleaning position. **[5]**
3. After connecting the telescopic tube lower end to Carpet and Floor Nozzle\*\* or accessories if required, press the floor type selector\* pedal on the nozzle to select the ideal cleaning mode for the floor type.
  - Hard Floor** – Brushes are lowered to protect the floor.
  - Carpet** – Brushes are raised for deeper cleaning.

### Carpet & Floor Nozzle\*\*: **[6]**

- **Hard floor Cleaning:** Press the pedal on the nozzle on Hard Floor mode and adjust the slider on the nozzle on ALL FLOORS. In this position brushes, wheels and wiper blade are lowered to protect hard floors. **[6a]**

- **Standard Carpet & Rugs Cleaning:** Press the pedal on the nozzle on Carpet mode and adjust the slider on the nozzle on ALL FLOORS. In this position brushes and wiper blade are raised while wheels are lowered to allow a perfect ease of movement on such surfaces. **[6b]**

- **Deep Carpet cleaning:** Press the pedal on the nozzle on Carpet mode and adjust the slider on the nozzle on DEEP CARPET CLEANING. In this position brushes, wheels and wiper blade are raised for a deeper cleaning of your carpet. **[6c]**

**WARNING:** It is recommended to avoid potential scratching of wooden floors that the pedal is not set on hard floor mode and the slider on deep carpet cleaning.

4. Switch the cleaner on by pressing the On/Off Pedal on the cleaner main body **[7]** or by pressing the On/Off button onto the hose handle\*. **[8]**
5. Adjust the power level by pressing the variable power control buttons on the hose handle\*. **[9]**

### Hi-Controller Handle with Settings\*:

- **Turn the cleaner on/off:** Press the on/off button. **[8]**
- **Variable power control:** Press the "+, -" buttons to adjust the power. **[9]**
- **Silent Power Mode:** Press the silent power button to clean thoroughly at a reduced noise level. **[10]**

### Integrated accessories on the handle:

- **Built-in Crevice Tool :** The hose handle end can be used as a crevice tool to reach narrow spaces.
- **Furniture Tool :** Press the latches on both sides of the handle and slide downwards to

release the furniture tool to clean soft surfaces and textiles (curtains, upholstery). [11]

- **Dusting Brush:** Press the latches on both sides of the handle and slide downwards, then push the slider to the end to release the built-in dusting brush. Ideal for hard surfaces (bookshelves, keyboards, skirting boards). [11]

#### Advanced Comfort Handle\*:

- **Suction Regulator :** Adjust the suction power by opening or closing the air valve on the handle. [12]

#### Integrated accessories on the handle :

- **Built-in Crevice Tool :** The hose handle end can be used as a crevice tool to reach narrow spaces.
- **Furniture Tool :** Press the latches on both sides of the handle and slide downwards to release the furniture tool to clean soft surfaces and textiles (curtains, upholstery). [11]
- **Dusting Brush :** Press the latches on both sides of the handle and slide downwards then push the slider to the end to release the built-in dusting brush. Ideal for hard surfaces (bookshelves, keyboards, skirting boards). [11]

#### Essential Handle\*:

- **Suction Regulator :** Adjust the suction power by opening or closing the air valve on the handle. [12]
- **Built-in Crevice Tool :** The hose handle end can be used as a crevice tool to reach narrow spaces.

Switch off at the end of use by pressing the On/Off Pedal or On/Off Button on the hose handle\*. Unplug and rewind the power cord by pressing the cord rewind pedal.

#### Parking and Storage Section

The tube can be parked on back of the cleaner for storage or temporary storage while in use. [13]

## ACCESSORIES

To obtain the best performance and efficiency it is recommended that the correct nozzles are used for the main cleaning operations. These nozzles are indicated in the diagrams by the letters **GP**, **HF** or **CA**.

A nozzle type **GP** can be used to clean both carpet and hard floor.

A nozzle type **HF** is suitable for use only on hard floor.

A nozzle of type **CA** is suitable for use only on carpet.

The other nozzles are accessories for specialist cleaning tasks and are recommended for occasional use only.

All accessories can be fitted to the end of the handle or the end of the telescopic tube.

**Dual Action Pet Hair Remover Nozzle\*** - Use the mini turbo nozzle on stairs or for deep cleaning on textile surfaces and other hard to clean areas. Particularly suitable for pet hairs removal. [X]

**Dual Action Allergen Remover Nozzle\*** - Use the mini turbo nozzle on stairs or for deep cleaning on textile surfaces and other hard to clean areas, particularly suitable for allergen removal. [Y]

\*Certain Models Only    \*\* May vary according to models

**Parquet Extra Care and Parquet Care nozzles\*** – For parquet floors and other delicate floors. [Z(30cm) , AA(25cm)]

**Long 2In1 Tool\*** – Crevice tool and dusting brush - It allows to clean hard-to-reach areas such as bookshelves and high corners. [AB]

**XL Furniture Nozzle\*** - Ideal to clean large and soft surfaces such as sofas, mattresses and couches. [AC]

**IMPORTANT:** Do not use mini turbo nozzles on rugs with long fringes, animal hides and carpet pile deeper than 15mm. Do not keep the nozzle stationary while brush is rotating.

## CLEANER MAINTENANCE

#### Emptying the Dust Bin

When the dust reaches the max level indicator in the bin, empty the dust bin.

**IMPORTANT:** To maintain optimum performance do not allow the dust above the max level indicator.

1. Turn off the cleaner with the main switch and unplug the power cable.
2. Press the dust bin release button and remove the dust bin assembly from the cleaner. [14]
3. Hold the dust bin with one hand and press the dust bin flap release trigger. [17]
4. Close the dust bin flap and refit to the cleaner main body. [14]

#### Cleaning the washable filters

The cleaner is fitted with pre-motor filter and exhaust filter. To maintain optimum cleaning performance, regularly remove the filters and tap against the side of the waste container to release dust. The filters should be washed every 5 dust container empties or when the filter has excessive dust level.

**IMPORTANT:** All bagless cleaners require regular filter cleaning. Failure to clean your filters may result in air blockage, overheating and product failure. This may invalidate your guarantee.

**IMPORTANT:** Regularly check and maintain the filters.

**IMPORTANT:** Always ensure the filter pack is fully dry before use.

#### To access the filter:

1. Press the dust bin release button and remove the dust bin assembly from the cleaner. [14]
2. Hold the dust bin with one hand and with the other hand press the dust bin lid release button to open the bin lid. [15]
3. Remove the pre-motor filter located in the bin lid. [18]
4. Gently tap and wash the pre-motor filter. Do not use hot water or detergents. Remove excess water from the filter and leave to dry fully before re-using. [21,22]
5. Reassemble the pre-motor filter to the dust bin lid once fully dry and refit to the cleaner.

**IMPORTANT:** Do not use the product without the filter pack fitted.

#### To access the exhaust filter:

1. Unlock the exhaust filter door by pressing two buttons and pulling outward from main cleaner. [19]
2. Remove the filter pack from recess by pulling the ring-pull of exhaust filter. [20]

3. Gently tap and wash the filter unit. Do not use hot water or detergents. Remove excess water from the filter and leave to dry fully before using. [21,22]
4. Reassemble the Filter pack once it is fully dry and refit to the cleaner by inserting it back into the location and pushing it fully home. [20]
5. Lock the exhaust filter cover by pressing the edge which has the clips, you will hear a click once the exhaust filter door fits into place. [19]

**IMPORTANT:** Do not use the product without the filter pack fitted.

#### **Cleaning the dust bin / separation unit**

This cleaner uses a separation system unique to Hoover. If necessary the separation unit can be disassembled from the dust bin and cleaned.

1. Press the dust bin release button and remove the dust bin assembly from the cleaner. [14]
2. Hold the dust bin with one hand and with the other hand press the dust bin lid release button to open the dust bin. [15]
3. Remove the Vortex Finder (Red) from the cyclone body. [16]
4. Remove the cyclone body from the dust bin. [17]
5. If necessary, use a cloth to remove excessive dust from the red vortex finder and the cyclone body surface.
6. Place the dust bin under the tap. [21] Rinse with lukewarm water. Wash internal surfaces of the dust bin with water only. DO NOT use soap detergents to wash the internals of the dust bin.
7. Reassemble the internal component to the dust bin, ensuring all components are dry.
8. Close over the dust bin lid and refit dust bin assembly to cleaner.

#### **Removing a blockage**

1. Check if the dust bin is full. If so refer to 'Emptying the dust bin.'
2. If the dust bin is empty but suction is still low:
  - A. Do the filters need cleaning? If so refer to 'Cleaning the washable filters'.
  - B. Check if there is any other blockage in the system - Use a rod or pole to remove any blockage from the extension tube or flexible hose.
  - C. Check if pre-motor filter is fitted.
  - D. Check if the separation unit needs to be cleaned. Refer to 'Cleaning the separation unit.'

#### **Replacing the battery of the handle remote control\* [23]**

If the remote controls on the handle do not respond when pressing any buttons, please change the battery:

1. Use screw driver to release remote control from handle.
2. To replace the battery, push aside the clip, remove old batteries, replace and then refit clip. Use only battery type Lithium CR2032 3V.

### **USER CHECKLIST**

Should you have a problem with the product, complete this simple user checklist before calling your local Hoover service.

- Is there a working electricity supply to the cleaner? Please check with another electrical appliance.
- Is the dust bin over-filled? Please refer to 'Cleaner Maintenance'.
- Is the filter blocked? Please refer to 'Cleaner Maintenance'.
- Is the hose or nozzle blocked? Please refer to 'Removing a blockage from the system'.
- Has the cleaner overheated? If so, it will take approximately 30 minutes to automatically reset.
- Doesn't the remote control on the handle respond? Please refer to 'Replace the battery of handle remote handle'.

### **IMPORTANT INFORMATION**

#### **Hoover spares and Consumables**

Always replace parts with genuine Hoover spares. These are available from your local Hoover dealer or direct from Hoover. When ordering parts always quote your model number.

#### **Hoover Service**

Should you require service at any time, please contact your local Hoover Service Office.

#### **Quality**

BSI ISO 9001: Hoover's factories have been independently assessed for quality. Our products are made using a quality system which meets the requirements of ISO 9001.

#### **Your Guarantee**

The guarantee conditions for this appliance are as defined by our representative in the country in which it is sold. Details regarding these conditions can be obtained from the dealer from whom the appliance was purchased. The bill of sale or receipt must be produced when making any claim under the terms of this guarantee.

Subject to change without notice.

## INSTRUCTIONS DE SÉCURITÉ D'UTILISATION

Cet appareil ne doit être utilisé que pour un nettoyage domestique, conformément à ce guide d'utilisation. Veuillez vous assurer que ces instructions sont parfaitement comprises avant d'utiliser l'appareil.

Ne laissez pas l'appareil branché. Eteignez et débranchez toujours l'appareil après l'avoir utilisé, ou avant de le nettoyer ou de procéder à son entretien.

Cet appareil peut être utilisé par des enfants âgés d'au moins 8 ans et par des personnes ayant des capacités physiques, sensorielles ou mentales réduites, ou n'ayant pas d'expérience ou de connaissances en la matière. Ces dernières doivent recevoir des instructions sur l'utilisation de l'appareil en toute sécurité et comprendre les risques impliqués. Les enfants ne doivent pas jouer avec l'appareil.

Le nettoyage et l'entretien ne devraient pas être effectués par des enfants sans supervision.

Si le cordon d'alimentation est endommagé, arrêtez immédiatement d'utiliser l'appareil. Pour éviter les risques d'accident, un réparateur HOOVER agréé doit remplacer le cordon d'alimentation.

Maintenez les mains, pieds, vêtements et cheveux à distance des brosses rotatives.

N'utilisez que les accessoires, consommables ou pièces détachées recommandés ou fournis par HOOVER.

**Electricité statique** : Certains tapis/moquettes peuvent entraîner une petite accumulation d'électricité statique. Les décharges d'électricité statique ne sont pas dangereuses pour la santé.

N'utilisez pas votre appareil à l'extérieur, sur une surface humide ou pour un ramassage humide.

N'aspirez pas d'objets durs ou tranchants, d'allumettes, de cendres chaudes, de mégots de cigarettes ou d'autres objets similaires.

Ne pulvérisez ou n'aspirez pas des liquides inflammables, des produits d'entretien liquides, des aérosols ou leurs vapeurs.

Ne marchez pas sur le cordon d'alimentation lorsque vous utilisez votre appareil et ne le débranchez pas de la prise en tirant sur le cordon d'alimentation.

Ne continuez pas à utiliser votre appareil s'il semble

défectueux.

Ne marchez pas sur le cordon d'alimentation ou ne l'enroulez pas sur vos bras ou vos jambes quand vous utilisez l'appareil.

N'utilisez pas l'appareil sur des personnes ou des animaux.

Lors du nettoyage des escaliers, ne placez pas l'appareil dans une position plus haute que la vôtre.

**Ne laissez pas les batteries à la portée des enfants.**

**Au cas où une batterie a été avalée, consultez immédiatement un médecin.**

Les batteries usagées doivent être retirées de l'appareil et soigneusement mises au rebut.

Au cas où l'appareil doit être rangé sans être utilisé pendant une période prolongée, les batteries doivent être retirées et rangées dans un endroit sûr.

Si vous mettez l'appareil à la poubelle, il convient de retirer les batteries d'abord.

L'appareil ne doit pas être branché à la prise, lorsque vous retirez les batteries.

Mettez les batteries à la poubelle, dans un endroit sûr.

Utilisez uniquement les batteries de type lithium CR2032 3V. Type non rechargeable.

Les batteries doivent être insérées avec la bonne polarité : le pôle positif "+" se place sur la partie supérieure. [23]

Les batteries non rechargeables ne doivent pas être rechargées.

Les bornes de la batterie ne doivent pas être court-circuitées.

**Service HOOVER** : Pour assurer l'utilisation sûre et efficace de cet appareil, nous recommandons de n'en confier l'entretien ou les réparations qu'à un réparateur HOOVER agréé.

### Environnement

Le symbole figurant sur cet appareil indique qu'il ne peut pas être considéré comme une ordures ménagères. Vous devez le déposer dans un centre de recyclage des déchets électriques et électroniques. La déposition doit être effectuée conformément à la réglementation locale en matière de déchets. Pour obtenir des compléments d'information sur le traitement, la récupération et le recyclage de cet appareil, veuillez contacter votre municipalité, le service local d'élimination des ordures ménagères ou le revendeur de l'appareil.



Pour les modèles dotés d'une télécommande Hi-Controller :

Bandes de fréquence	300Mhz ~ 450Mhz
Puissance RF maximale transmise sur la bande de fréquence	11 dBm

**C** Grâce à cela, le Groupe Candy Hoover déclare que cet appareil est conforme aux exigences fondamentales des Directives 2014/53/UE et 2011/65/UE. Pour recevoir une copie de la déclaration de conformité, veuillez contacter le fabricant à l'adresse suivante : [www.candy-group.com](http://www.candy-group.com)

**Pour tous les autres modèles:**

**C** Cet appareil est conforme aux Directives européennes 2014/35/UE, 2014/30/EUE et 2011/65/UE.

CANDY HOOVER GROUP S.r.l. Via Privata Eden Fumagalli, 20861 Brugherio (MB) Italy

## CONNAITRE VOTRE ASPIRATEUR

- |  |   |
|--|---|
| A. Ensemble de bac à poussière   | O. Poignée avec confort amélioré à manche souple, variateur d'aspiration et accessoires intégrés : suceur plat, brosse à poussière et accessoire de meuble* (Voir « Na ») |
| B. Corps principal de l'aspirateur   | P. Poignée Essential avec manche souple, variateur d'aspiration et suceur plat intégré*   |
| C. Bouton marche/arrêt   | Q. Tube télescopique**  |
| D. Position Parking  | Q1. Connexion sécurisée du tube télescopique*   |
| E. Bouton de verrouillage du bac à poussière   | Q2. Bouton de réglage du tube télescopique**  |
| F. Pédale d'enroulement du cordon  | R. Connexion sécurisée de la brosse moquette et sol*  |
| G. Cassette de poussière   | S. Sélecteur de type de sol   |
| H. Corps de cyclone  | T. Curseur de brosse moquette et sol*   |
| I. Détecteur Vortex ( Rouge métallisé )  | U. Brosse pour moquette et sol dur (GP)**   |
| J. Volet du bac à poussière  | U1. Brosse pour moquette (CA)**   |
| K. Déclencheur d'échappement du volet du bac à poussière   | U2. Brosse pour sols durs (HF)**  |
| L. Bouton de verrouillage du volet du bac à poussière  | V. Filtre pré-moteur  |
| M. Flexible  | W. Filtre d'évacuation  |
| N. Dispositif de commande Hi de télécommande avec manche souple*                                 | X. Mini turbobrosse pour élimination des poils d'animaux domestiques à double action*   |
| N1. Boutons de contrôle de puissance variable :  | Y. Mini turbobrosse pour élimination des allergènes à double action*  |
| N2. Bouton de puissance silencieuse  | Z. Brosse parquet Extra Care*   |
| N3. Commutateur Marche/Arrêt   | AA. Brosse parquet Care*  |
| N4. Indicateur de batterie LED de la télécommande de la poignée                                  | AB. Accessoire long 2 en 1 *  |
| Na. Accessoires intégrés à la poignée : suceur plat, brosse à poussière et accessoire de meuble* | AC. Petit suceur XL*  |

\*Sur certains modèles uniquement \*\* Peut varier selon le modèle

## MONTAGE DE L'ASPIRATEUR

Sortez tous les composants de l'emballage.

1. Raccordez le flexible à l'aspirateur en veillant à ce qu'il se fixe bien et se verrouille correctement. Pour détacher le tuyau : il suffit d'appuyer sur les loquets du tuyau et de tirer. [1]
2. Connectez la poignée du tuyau\*\* à l'extrémité supérieure du tube. [2]
3. Connectez l'extrémité inférieure du tube à la brosse moquette et sol\*\* ou aux accessoires, si nécessaire. [3]

## UTILISATION DE L'APPAREIL

1. Sortez le cordon d'alimentation et branchez-le sur la prise d'alimentation. Ne sortez pas le cordon au-delà du repère rouge. [4]
2. Régler le tube télescopique à la hauteur désirée en déplaçant le régulateur tube télescopique \*\* en l'élevant ou abaissant la poignée à la position de nettoyage la plus confortable. [5]
3. Après avoir connecté l'extrémité inférieure du tube à la brosse moquette et sol\*\* ou aux accessoires si nécessaire, appuyez sur la pédale\* de la brosse pour sélectionner le mode d'aspiration idéal pour le type de sol.  
**Sol dur** – Les brosses sont baissées pour protéger le sol.  
**Moquette** – Les brosses sont plus élevées pour un nettoyage en profondeur.

### Brosse moquette et sol\*\* : [6]

- **Dépoussiérage sur sols durs** : Appuyez sur la pédale de la brosse pour sélectionner le mode Sols Durs et ajustez le curseur sur la brosse sur TOUS LES SOLS. Dans cette position, les brosses, les roulettes et le balai d'essuie-glace sont baissés pour protéger le sol. [6a]

- **Nettoyage standard de moquette et tapis** : Appuyez sur la pédale de la brosse pour sélectionner le mode Sols Durs et ajustez le curseur de la brosse sur TOUS LES SOLS. Dans cette position, les brosses et le balai d'essuie-glace sont soulevés pendant que les roulettes sont baissées pour favoriser une parfaite liberté de mouvement. [6b]

- **Nettoyage en profondeur de moquette** : Appuyez sur la pédale de la brosse pour sélectionner le mode Moquette et ajustez le curseur de la brosse sur NETTOYAGE EN PROFONDEUR MOQUETTE. Dans cette position, les roulettes et le balai d'essuie-glace sont soulevés pour un nettoyage en profondeur de votre moquette. [6c]

**MISE EN GARDE** : Il est recommandé d'éviter d'éventuelles rayures du parquet sur lequel la pédale n'est pas réglée sur le mode sol dur et le curseur sur le mode nettoyage en profondeur de moquette.

4. Allumez l'aspirateur en appuyant sur la pédale Marche/Arrêt placée sur son corps principal [7] ou en appuyant sur le bouton Marche/Arrêt de la poignée du flexible\*. [8]
5. Ajustez le niveau de puissance en appuyant sur les boutons de contrôle de puissance variable sur la poignée de tuyau\*. [9]

### Poignée de dispositif de commande avec réglages\*:

- **Allumez/Éteignez l'aspirateur** : Appuyez sur le bouton Marche/Arrêt. [8]
- **Contrôle de puissance variable** : Appuyez sur les boutons "+", "-" pour ajuster la puissance. [9]
- **Mode de puissance silencieuse** : Appuyez sur le bouton de puissance silencieuse pour un nettoyage en profondeur à un faible niveau sonore. [10]

### Accessoires intégrés à la poignée :

- **Suceur plat encastré** : L'extrémité du flexible peut être utilisée comme suceur plat pour atteindre les espaces étroits.



- **Accessoire de meuble** : Appuyez sur les loquets des deux côtés de la poignée et faites-les coulisser vers le bas pour libérer l'accessoire de meuble afin de nettoyer les surfaces souples et les textiles (rideaux, tapisserie). [11]
- **Brosse meuble** : Appuyez sur les loquets des deux côtés de la poignée vers le bas, puis poussez le variateur jusqu'à l'extrémité pour relâcher la brosse à poussière encastrée. Idéale pour les surfaces dures. (étagères, claviers, plinthes). [11]

#### Poignée avec confort amélioré\*:

- **Variateur de puissance** : Ajustez la puissance d'aspiration en ouvrant ou en fermant la vanne d'air de la poignée. [12]

#### Accessoires intégrés à la poignée :

- **Suceur plat encastré** : L'extrémité du flexible peut être utilisée comme suceur plat pour atteindre les espaces étroits.
- **Accessoire de meuble** : Appuyez sur les loquets des deux côtés de la poignée et faites-les coulisser vers le bas pour libérer l'accessoire de meuble afin de nettoyer les surfaces souples et les textiles (rideaux, tapisserie). [11]
- **Brosse meuble** : Appuyez sur les loquets des deux côtés de la poignée vers le bas, puis poussez le variateur jusqu'à l'extrémité pour relâcher la brosse à poussière encastrée. Idéale pour les surfaces dures. (étagères, claviers, plinthes). [11]

#### Poignée Essential\*:

- **Variateur de puissance** : Ajustez la puissance d'aspiration en ouvrant ou en fermant la vanne d'air de la poignée. [12]
- **Suceur plat encastré** : L'extrémité du flexible peut être utilisée comme suceur plat pour atteindre les espaces étroits.

Éteignez l'aspirateur après utilisation en appuyant sur la pédale de Marche/Arrêt ou sur le bouton Marche/Arrêt de la poignée du flexible\*. Débranchez l'aspirateur et rembobinez le cordon d'alimentation en appuyant sur la pédale de rébobinage du cordon.

#### Section parking et rangement

Le tube peut être mis en position « parking » pour rangement ou rangement temporaire pendant l'utilisation. [13]

## ACCESSOIRES

Pour obtenir la meilleure performance et efficacité, il est conseillé d'utiliser les bonnes brosses pour les principales opérations de nettoyage. Ces brosses sont indiquées dans les diagrammes par les lettres **GP**, **HF** ou **CA**.

Le type de brosse **GP** peut être utilisé pour nettoyer la moquette et les sols durs.

Le type de brosse **HF** n'est adapté que pour les sols durs.

Le type de brosse **CA** n'est adapté que pour les moquettes.

Les autres brosses sont des accessoires de nettoyage spécialisés et sont conseillées pour des usages occasionnels uniquement.

Tous les accessoires s'adaptent à la poignée du flexible ou à l'extrémité du tube télescopique.

**Brosse pour élimination des poils d'animaux domestiques à double action\*** - Mini turbo brosse pour escaliers ou nettoyage en profondeur des surfaces textiles et autres surfaces difficiles à aspirer. Particulièrement efficace pour éliminer les poils d'animaux. [X]

**Brosse pour élimination des allergènes à double action\*** - Utilisez la mini turbo brosse

pour le nettoyage en profondeur des surfaces textiles et autres surfaces difficiles à nettoyer, particulièrement efficace pour éliminer les allergènes. [Y]

**Brosses parquet Extra Care et parquet Care\*** – Pour parquets et autres sols délicats. [Z(30cm) , AA(25cm)]

**Accessoire long 2 en 1\*** – Suceur plat et brosse à poussière - Il permet de nettoyer les recoins difficiles d'accès tels que les étagères et les coins en hauteur. [AB]

**Petit suceur XL\*** - Idéal pour le nettoyage de surfaces grandes et souples comme les canapés, les matelas et les couches. [AC]

**IMPORTANT** : N'utilisez pas les suceurs mini turbo sur les tapis à franges longues, les peaux d'animaux ou les moquettes à poils de plus de 15 mm de longueur. Ne pas laisser la brosse fixe au sol lorsque la turbo brosse est activé.

## ENTRETIEN DE L'ASPIRATEUR

### Vider le bac de poussière

Lorsque la poussière atteint le repère de niveau maximum, videz le bac à poussière.

**IMPORTANT** : Afin de maintenir la performance optimale de l'appareil, ne laissez pas la poussière s'accumuler au-delà du niveau maximum.

1. Arrêtez l'aspirateur à l'aide de l'interrupteur principal et débranchez le câble d'alimentation.
2. Appuyez sur le bouton de déverrouillage du bac à poussière et retirez l'ensemble du bac de l'aspirateur. [14]
3. Tenez le bac à poussière d'une main et appuyez sur le déclencheur d'échappement du volet du bac à poussière. [17]
4. Fermez le volet du bac à poussière et remettez-le sur le corps principal de l'aspirateur. [14]

### Nettoyage des filtres lavables

L'aspirateur est équipé d'un pré-moteur et d'un filtre d'évacuation. Pour maintenir une performance optimale de nettoyage, enlevez régulièrement les filtres et tapez-les sur le côté pour dégager la poussière du conteneur de déchets. Les filtres doivent être lavés après avoir vidé 5 fois le réservoir à poussière ou lorsqu'ils sont encrassés.

**IMPORTANT** : Tous les aspirateurs sans sac nécessitent un nettoyage régulier du filtre. Un défaut de nettoyage des filtres peut entraîner un blocage d'air, une surchauffe et un défaut du produit. Ceci peut annuler votre garantie.

**IMPORTANT** : Contrôlez et entretenez régulièrement les filtres.

**IMPORTANT** : Veillez toujours à ce que le jeu de filtre soit bien sec avant utilisation.

### Pour accéder au filtre :

1. Appuyez sur le bouton de déverrouillage du bac à poussière et retirez l'ensemble du bac de l'aspirateur. [14]
2. Tenez le bac à poussière d'une main et avec l'autre main, appuyez sur le bouton de verrouillage du volet du bac à poussière pour ouvrir le volet du bac. [15]
3. Retirez le filtre pré-moteur placé sur le volet du bac. [18]
4. Tapotez doucement et lavez le filtre pré-moteur. N'utilisez pas d'eau chaude ou de détergents. Éliminez l'excédent d'eau du filtre et laissez-le sécher complètement avant de le réutiliser. [21,22]
5. Remontez le filtre pré-moteur sur le volet du bac à poussière une fois qu'il est entièrement sec et remettez-le sur l'aspirateur.

**IMPORTANT** : N'utilisez pas l'aspirateur sans les filtres.

#### **Pour accéder au filtre d'évacuation**

1. Débloquez la porte du filtre d'évacuation en appuyant sur deux boutons et en tirant vers l'extérieur à partir de l'aspirateur principal. [19]
2. Retirez le jeu de filtre de son logement en tirant le dispositif d'ouverture facile du filtre d'évacuation. [20]
3. Tapotez doucement et lavez l'unité de filtre. N'utilisez pas d'eau chaude ou de détergents. Éliminez l'excédent d'eau du filtre et laissez-le sécher complètement avant de l'utiliser. [21,22]
4. Remontez le jeu de filtre une fois qu'il a entièrement séché et remettez-le sur l'aspirateur en le réinsérant en place et en le poussant pour qu'il entre complètement dans son logement. [20]
5. Verrouillez le couvercle du filtre d'évacuation en appuyant sur le bord qui dispose des fixations ; vous entendrez un déclic une fois que la porte du filtre d'évacuation se mettra en place. [19]

**IMPORTANT** : N'utilisez pas l'aspirateur sans les filtres.

#### **Nettoyage de la cuve à poussière/de l'unité de séparation**

Cet aspirateur dispose d'un système de séparation unique à Hoover. Si nécessaire, vous pouvez démonter l'unité de séparation du bac à poussière pour la nettoyer.

1. Appuyez sur le bouton de déverrouillage du bac à poussière et retirez l'ensemble du bac de l'aspirateur. [14]
2. Tenez le bac à poussière d'une main et avec l'autre main, appuyez sur le bouton de verrouillage du volet du bac à poussière pour ouvrir le bac à poussière. [15]
3. Retirez le détecteur Vortex (rouge) du corps de cyclone. [16]
4. Retirez le corps de cyclone du bac à poussière. [17]
5. Si nécessaire, utilisez un chiffon pour retirer l'excès de poussière de détecteur Vortex rouge et de la surface du corps de cyclone.
6. Placez le bac à poussière sous le robinet. [21] Rincez à l'eau tiède. Nettoyez les surfaces internes du bac à poussière avec de l'eau uniquement. N'UTILISEZ EN AUCUN CAS un détergent pour nettoyer l'intérieur du bac à poussière.
7. Remontez le composant interne sur le bac à poussière, tout en vous assurant que tous les composants sont secs.
8. Fermez le volet du bac à poussière et remettez l'ensemble de bac à poussière sur l'aspirateur.

#### **Élimination d'une obstruction**

1. Vérifiez si le bac à poussière est plein. Si c'est le cas, voir « Pour vider le bac à poussière ».
2. Si le bac à poussière est vide mais que l'aspirateur aspire mal :
  - A. Les filtres ont-ils besoin d'être nettoyés ? Si c'est le cas, voir « Pour nettoyer les filtres lavables ».
  - B. Vérifiez qu'il n'y ait pas de blocage à un autre endroit du système. - Si les obstructions sont dans le tube de rallonge, le flexible ou encore la brosse, enlevez-les à l'aide d'une tige.
  - C. Vérifiez que le filtre pré-moteur est en place.
  - D. Vérifiez si l'unité de séparation doit être nettoyée. Consultez la section "Nettoyage du séparateur".

#### **Remplacement de la batterie de la télécommande de poignée\* [23]**

Si les télécommandes de la poignée ne réagissent pas après avoir appuyé sur un bouton, veuillez changer la batterie :

1. Utilisez un tournevis pour dévisser la télécommande de la poignée.
2. Pour remplacer la batterie, poussez de côté la fixation, retirez les anciennes batteries, remplacez-les, puis remettez la fixation en place. Utilisez uniquement les batteries de type lithium CR2032 3V.

### **LISTE DE CONTRÔLE UTILISATEUR**

En cas de problèmes avec l'appareil, effectuez les vérifications de la liste de vérifications avant d'appeler le service après-vente Hoover.

- L'aspirateur est-il alimenté en électricité ? Veuillez vérifier la prise utilisée avec un autre appareil électrique.
- Le bac à poussière est-il saturé ? Veuillez vous reporter à « Entretien de l'aspirateur ».
- Le filtre est-il encrassé ? Veuillez vous reporter à « Entretien de l'aspirateur ».
- Le tube ou le flexible est-il bouché ? Veuillez vous reporter à « Pour éliminer une obstruction ».
- L'aspirateur a-t-il surchauffé ? Si c'est le cas, il lui faudra environ 30 minutes pour se réinitialiser automatiquement.
- La télécommande de la poignée ne réagit-elle pas ? Veuillez vous reporter à "Remplacer la batterie de la télécommande de la poignée".

### **INFORMATIONS IMPORTANTES**

#### **Pièces détachées et consommables Hoover**

Toujours remplacer les pièces par des pièces détachées de la marque Hoover. Celles-ci sont disponibles auprès de votre revendeur Hoover. Lors de la commande de pièces, veuillez toujours préciser le numéro de votre modèle.

#### **Service Hoover**

Pour toute intervention à tout moment, veuillez contacter le service après-vente Hoover le plus proche.

#### **Qualité**

BSI ISO 9001: La qualité des usines Hoover a fait l'objet d'une évaluation indépendante. Nos produits sont fabriqués selon un système de qualité conforme à la norme ISO 9001.

#### **Votre garantie**

Les conditions de garantie de cet appareil sont définies par notre représentant dans le pays où il est vendu et peuvent être obtenues auprès de votre revendeur. Les détails concernant ces conditions peuvent être obtenues auprès du revendeur auprès duquel l'appareil a été acheté. La facture d'achat ou le reçu doivent être présentés pour toutes réclamations relevant des conditions de cette garantie.

Ces conditions peuvent être modifiées sans préavis.

## HINWEISE FÜR DIE SICHERE BENUTZUNG

Dieses Gerät ist nur zum Gebrauch im Haushalt und nicht für gewerbliche Zwecke bestimmt. Sie sollten das Gerät ausschließlich gemäß den Angaben in dieser Bedienungsanleitung verwenden. Vor dem Gebrauch des Gerätes muss die vorliegende Bedienungsanleitung vollständig gelesen und verstanden worden sein.

Ziehen Sie den Netzstecker nach Gebrauch aus der Steckdose. Vor der Reinigung oder Wartung das Gerät stets ausschalten, den Netzstecker aus der Steckdose ziehen und abkühlen lassen.

Dieses Gerät darf von Kindern ab 8 Jahren, sowie körperlich, geistig oder sensorisch behinderten Personen bzw. Personen ohne Erfahrung und Kenntnisse im Gebrauch nur unter Aufsicht oder unter Anleitung für die sichere Benutzung und den damit verbundenen Gefahren benutzt werden. Kinder sollten nicht unbeaufsichtigt mit dem Gerät spielen.

Reinigungs- und Wartungsarbeiten dürfen von Kindern nur unter Aufsicht ausgeführt werden.

Ist das Netzkabel beschädigt, darf das Gerät NICHT mehr benutzt werden. Im Falle eines Defektes darf das Netzkabel nur durch einen autorisierten HOOVER-Kundendiensttechniker ausgetauscht werden.

Hände, Füße, lose Kleidung und Haare von den rotierenden Bürsten fernhalten.

Verwenden Sie nur von HOOVER empfohlene oder gelieferte Zubehörteile, Verbrauchsmaterialien und Ersatzteile.

**Statische Aufladung:** Manche Teppiche können die Bildung statischer Elektrizität verursachen. Diese ist jedoch sehr gering und bei Entladung nicht gesundheitsschädlich.

Benutzen Sie das Gerät nicht im Freien, auf nassen Oberflächen oder zur Aufnahme von feuchtem Schmutz.

Vermeiden Sie es, harte oder scharfe Gegenstände, Streichhölzer, heiße Asche, Zigarettenkippen oder Ähnliches aufzusaugen.

Niemals entzündliche Flüssigkeiten, Reinigungsmittel, Aerosole oder deren Dämpfe auf das Gerät sprühen oder damit aufsaugen.

Während des Betriebs nicht über das Netzkabel fahren. Nicht am

Kabel ziehen, um den Gerätestecker aus der Steckdose zu ziehen. Stellen Sie die Verwendung des Gerätes ein, wenn ein Defekt am Gerät vermutet wird.

Treten Sie beim Gebrauch des Gerätes nicht auf das Netzkabel und wickeln es sich nicht um Arme oder Beine.

Benutzen Sie das Gerät nicht zur Reinigung von Menschen oder Tieren.

Positionieren Sie das Gerät bei der Reinigung von Treppen nicht oberhalb von Ihnen.

**Halten Sie die Batterien fern von Kindern.**

**Falls eine Batterie verschluckt wird, suchen Sie sofort einen Arzt auf.**

Nehmen Sie leere Batterien aus dem Gerät und entsorgen Sie sie sicher.

Wenn Sie das Gerät längere Zeit nicht benutzen werden, sollten Sie die Batterien herausnehmen und sicher aufbewahren.

Wenn das Gerät entsorgt wird, müssen zuvor die Akkus entfernt werden.

Das Gerät muss von der Stromnetz getrennt sein, wenn die Akkus entnommen werden.

Entsorgen Sie die Akkus ordnungsgemäß.

Wenn Sie das Gerät längere Zeit nicht benutzen werden, sollten Sie die Batterien herausnehmen und sicher aufbewahren. Sie können nicht aufgeladen werden.

Die Batterien müssen richtig eingelegt werden: Der Pluspol "+" muss nach oben zeigen. [23]

Die Batterien können nicht aufgeladen werden.

Die Batteriepole dürfen nicht kurzgeschlossen werden.

**HOOVER-Kundendienst:** Um auf Dauer den sicheren und effizienten Betrieb dieses Gerätes zu gewährleisten, empfehlen wir, Wartungs- und Reparaturarbeiten ausschließlich von einem zugelassenen HOOVER-Kundendienst durchführen zu lassen.

### Umweltschutz

Das am Gerät angebrachte Symbol gibt an, dass dieses Gerät nicht als Hausmüll behandelt werden darf, sondern an einer entsprechenden Sammelstelle für das Recycling von elektrischen und elektronischen Geräten zu entsorgen ist. Die



Bei Modellen mit der Hi-Controller-Fernbedienung:

Frequenzbereiche	300Mhz ~ 450Mhz
Maximale HF-Leistung, die im Frequenzband übertragen wird	11 dBm

Entsorgung ist in Übereinstimmung mit allen geltenden Vorschriften für die umweltgerechte Abfallsorgung vorzunehmen. Ausführlichere Informationen über die Müllbehandlung und das Recycling dieses Gerätes erhalten Sie von der zuständigen Umweltbehörde, der Müllentsorgungsstelle Ihrer Kommune oder dem Händler, bei dem Sie das Gerät erworben haben.

**C** Hiermit erklärt die Candy Hoover Group Srl, dass dieses Gerät die wesentlichen Anforderungen der Richtlinien 2014/53/EU und 2011/65/EU erfüllt. Für eine Kopie der Konformitätserklärung kontaktieren Sie, bitte den Hersteller auf seiner Website: [www.candy-group.com](http://www.candy-group.com)

**Bei allen anderen Modellen:**

**C** Dieses Gerät erfüllt die Europäischen Richtlinien 2014/35/EG, 2014/30/EG und 2011/65/EG.

CANDY HOOVER GROUP S.r.l. Via Privata Eden Fumagalli, 20861 Brugherio (MB) Italy

## GERÄTEBESCHREIBUNG

- |   |   |
|---|---|
| A. Aufbau des Staubbehälters                                | Möbelpinsel und Möbelzubehör*   |
| B. Gerätekorpus   | O. Verbessertes Komforthandgriff mit weichem Griff, Nebenluftregelung und integriertem Zubehör: Fugendüse, Möbelpinsel und Möbelzubehör* (Siehe Na) |
| C. EIN-/AUS-Schalter  | P. Weicher Handgriff mit Nebenluftregelung und integrierter Fugendüse*  |
| D. Parkposition   | Q. Rasterteleskoprohr**   |
| E. Taste zur Entfernung des Staubbehälters                  | Q1. Sicherer Teleskoprohranschluss*   |
| F. Fußtaste für automatische Kabelaufwicklung               | Q2. Teleskoprohrlängenverstellung**   |
| G. Staubbehälter  | R. Sicherer Anschluss für Umschaltbare Bodendüse*   |
| H. Zykloneinheit  | S. Bodenbelagswahlschalter  |
| I. Vortex-Einheit ( Rot Metallic )                          | T. Schieberegler Umschaltbare Bodendüse*  |
| J. Staubbehälterdeckel                                      | U. Umschaltbare Bodendüse (GP)**  |
| K. Entriegelungsknopf für Staubbehälterklappe               | U1. Teppichbodendüse (CA)**   |
| L. Taste zur Öffnung des Staubbehälterdeckels               | U2. Hartbodendüse (HF)**  |
| M. Saugschlauch   | V. Vormotorfilter   |
| N. Hi Controller Fernbedienungshandgriff mit weichem Griff* | W. Abluftfilter   |
| N1. Leistungsregulierungstaste                              | X. Tierhaar-Miniturbodüse mit doppelter Aktion*   |
| N2. Leise-Taste   | Y. Mini Turbo-Allergy Remover-Düse mit doppelter Aktion*  |
| N3. Ein/Aus-Taste   | Z. Extra-Hartbodenpflegedüse*   |
| N4. LED-Batterieanzeige am Fernbedienungshandgriff          | AA. Hartbodenpflegedüse*  |
| Na. Integriertes Zubehör auf den Griff: Fugendüse,          | AB. Langes 2in1-Zubehör *   |
|   | AC. Polsterdüse XL*   |

\*Geräteausstattung ist modellabhängig

\*\* Je nach Modell unterschiedlich

## ZUSAMMENBAU DES GERÄTES

Nehmen Sie alle Teile des Gerätes aus dem Karton.

1. Befestigen Sie das eine Ende des Saugschlauches am Gerätekorpus, so dass es spürbar einrastet. Zum Abnehmen des Schlauches drücken Sie die Schnappverschlüsse am Ende des Schlauchanschlusses und ziehen den Schlauch heraus. [1]
2. Verbinden Sie den Schlauchgriff\*\* mit dem oberen Rohrende. [2]
3. Schließen Sie das untere Ende des Rohrs an der umschaltbaren Bodendüse, oder wenn benutzt, am Zubehör an. [3]

## GEBRAUCH DES GERÄTES

1. Ziehen Sie das Netzkabel raus und schließen es an eine Steckdose an. Ziehen Sie das Kabel keinesfalls weiter, als bis zur roten Markierung heraus. [4]
  2. Das Teleskoprohr\*\* auf die gewünschte Länge einstellen, indem Sie den Freigabeknopf entriegeln. [5]
  3. Um den idealen Reinigungsmodus für die Bodenart auszuwählen, drücken Sie nach dem Anschließen des unteren Teleskoprohrendes an der umschaltbaren Bodendüse\*\* oder, wenn benutzt, an das Zubehör, auf der Düse das Pedal zur Auswahl\* der Bodenart.
    - Hartboden** – Der Borstenkranz wird zum Schutz des Bodens abgesenkt.
    - Teppichboden** – Besonders gründliche Reinigung durch Anheben der Bürsten.
- Teppich- und Bodendüse\*\*:** [6]
- **Hartbodenreinigung:** Drücken Sie das Pedal auf der Düse auf Hartbodenmodus und stellen Sie den Schieberegler auf der Düse auf ALLE BÖDEN. In dieser Position werden die Bürsten, Räder und das Wischblatt zum Schutz des Hartbodens abgesenkt. [6a]
  - **Normale Teppichböden- und Vorlegerreinigung:** Drücken Sie das Pedal auf der Düse auf Teppichbodenmodus und stellen Sie den Schieberegler auf der Düse auf ALLE BÖDEN. In dieser Position werden die Bürsten und das Wischblatt angehoben, während die Räder abgesenkt bleiben, um die perfekte Bewegung auf diesen Böden zu erleichtern. [6b]
  - **Tiefgehende Teppichreinigung:** Drücken Sie das Pedal auf der Düse auf Teppichbodenmodus und stellen Sie den Schieberegler auf der Düse auf TIEFGEHENDE TEPPICHREINIGUNG. In dieser Position werden die Bürsten, Räder und das Wischblatt für eine tiefgehende Reinigung Ihres Teppichbodens angehoben. [6c]
- WARNUNG:** Um mögliche Kratzer auf Holzböden zu vermeiden, wird empfohlen, das Pedal nicht auf den Hartbodenmodus und den Schieberegler nicht auf tiefgehende Teppichreinigung einzustellen.
4. Schalten Sie den Staubsauger ein, indem Sie auf das Ein-/Aus-Pedal am Staubsaugergehäuse [7] oder die Ein-/Aus-Taste auf den Schlauchgriff\* drücken. [8]
  5. Passen Sie die Leistungsstufe durch Drücken der variablen Leistungsregulierungstaste auf dem Saugschlauch an. [9]
- Hi-Controller Handgriff mit Einstellungen\*:**
- **Schalten Sie das Gerät ein/aus:** Drücken Sie die Ein-/Aus-Taste. [8]
  - **Leistungsregler:** Um die Leistung zu regulieren, drücken Sie die Tasten "+, -". [9]
  - **Leiser Betrieb ein/aus:** Drücken Sie die Leise-Taste um gründlich mit reduziertem Geräuschpegel zu reinigen. [10]
- Integriertes Zubehör am Griff:**
- **Integrierte Fugendüse :** Der Schlauchhandgriff kann als Fugendüse verwendet werden, um enge Räume zu erreichen.
  - **Möbelzubehör :** Drücken Sie die Schnappverschlüsse auf beiden Seiten des Griffs und

schieben Sie ihn nach unten, um das Möbelzubehör zu lösen und weiche Oberflächen und Textilien (Vorhänge, Polster) zu reinigen. [11]

- **Möbelpinsel:** Drücken Sie die Schnappverschlüsse an beiden Seiten des Griffs und schieben Sie sie nach unten. Drücken Sie danach den Schieberegler bis zum Ende, um den integrierten Möbelpinsel zu lösen. Ideal für harte Oberflächen (Bücherregale, Tastaturen, Sockelleisten). [11]

#### **Fortschrittlicher Komfortgriff\*:**

- **Nebenluftregelung :** Sie können die Saugkraft regulieren, indem Sie das Luftventil auf dem Handgriff Griff öffnen oder schließen. [12]

#### **Integriertes Zubehör am Griff :**

- **Integrierte Fugendüse :** Der Schlauchhandgriff kann als Fugendüse verwendet werden, um enge Räume zu erreichen.
- **Möbelzubehör :** Drücken Sie die Schnappverschlüsse auf beiden Seiten des Griffs und schieben Sie ihn nach unten, um das Möbelzubehör zu lösen und weiche Oberflächen und Textilien (Vorhänge, Polster) zu reinigen. [11]
- **Möbelpinsel :** Drücken Sie hierzu auf die Schnappverschlüsse an beiden Seiten und schieben Sie den Schieberegler nach unten, um den integrierten Möbelpinsel zu lösen. Ideal für harte Oberflächen (Bücherregale, Tastaturen, Sockelleisten). [11]

#### **Haupthandgriff\*:**

- **Nebenluftregelung :** Sie können die Saugkraft regulieren, indem Sie das Luftventil auf dem Handgriff Griff öffnen oder schließen. [12]
- **Integrierte Fugendüse :** Der Schlauchhandgriff kann als Fugendüse verwendet werden, um enge Räume zu erreichen.

Nach Gebrauch durch erneutes Betätigen des Ein-/Aus-Pedals oder der Ein-/Aus-Taste ausschalten. Ziehen Sie den Stecker aus der Steckdose und wickeln Sie das Netzkabel durch Drücken auf das Kabelaufwickelpedal auf.

#### **Aufbewahrung**

Das Rohr kann während der Benutzung des Gerätes auf der Rückseite des Gerätes dauerhaft oder vorübergehend aufbewahrt werden. [13]

## ZUBEHÖR

Um die beste Leistung und Effizienz zu erzielen wird empfohlen, dass die richtigen Düsen für den Hauptreinigungsbetrieb verwendet werden. Die Düsen werden in den Diagrammen mit den Bezeichnungen **GP**, **HF** oder **CA** gekennzeichnet.

Die Düse mit der Bezeichnung **GP** kann zur Reinigung von Teppichen und Hartböden verwendet werden.

Die Düse mit der Bezeichnung **HF** ist nur für die Reinigung von Hartböden geeignet.

Die Düse mit der Bezeichnung **CA** ist nur für die Reinigung von Teppichen geeignet.

Die anderen Düsen sind Zubehör für besondere Reinigungsaufgaben und werden nur für die fallweise Benutzung empfohlen.

Alle Zubehörteile können direkt am Handgriff oder am Teleskoprohr befestigt werden.

**Miniturbodüse mit doppelter Aktion\*** - Die Miniturbodüse eignet sich speziell zur Reinigung von Matratzen und Polstermöbeln. Besonders geeignet zur Entfernung von Tierhaaren. [X]

**Allergy Remover-Düse mit doppelter Aktion\*** - Diese Miniturbodüse eignet sich speziell zur Reinigung von Treppen, Polstermöbeln sowie Matratzen und ist besonders wirksam gegen allergieauslösende Faktoren. [Y]

**Hartboden-Extrapflege und Hartbodenpflegedüse\*** – Ideal zur Reinigung von Parkettböden und anderen empfindlichen Hartböden. [Z(30cm) , AA(25cm)]

**Langes 2in1-Zubehör\*** – Fugendüse und Möbelpinsel - Damit ist es ermöglicht schwer zugängliche Bereiche wie Bücherregale und hohe Ecken zu reinigen. [AB]

**Polsterdüse XL\*** - Ideal zum Reinigen von großen und weichen Oberflächen wie Sofas, Polstermöbel und Matratzen. [AC]

**WICHTIG:** Benutzen Sie die Miniturbodüse nicht auf Teppichen und Vorlegern mit langen Fransen, auf Tierfellen und auf über 15 mm tiefem Teppichflor. Halten Sie die Düse bei sich drehender Bürstwalze nicht still.

## WARTUNG DES GERÄTES

#### **Leeren des Staubbehälters**

Der Staubbehälter muss spätestens dann geleert werden, wenn die MAX-Marke am Behälter erreicht ist.

**WICHTIG:** Bitte beachten Sie, dass zur Aufrechterhaltung der optimalen Leistungsfähigkeit Ihres Geräts der Staubbehälter nicht über die MAX.-Marke gefüllt sein sollte.

1. Schalten Sie den Staubsauger mit dem Hauptschalter aus und ziehen Sie den Stecker aus der Steckdose.
2. Drücken Sie die Staubbehälter-Freigabetaste und nehmen Sie die Behälterbaugruppe vom Staubsauger ab. [14]
3. Halten Sie den Staubbehälter mit einer Hand über einen Abfalleimer und drücken Sie mit der anderen Hand auf den Entriegelungsknopf des Staubbehälterdeckels. [17]
4. Schließen Sie die Staubbehälterklappe und setzen den Staubbehälter wieder in den Staubsauger ein. [14]

#### **Reinigung der waschbaren Filter**

Der Staubsauger ist mit einem Vormotor- und Abluftfilter ausgestattet. Um die optimale Reinigungsleistung sicherzustellen, entfernen Sie regelmäßig die Filter und klopfen Sie damit gegen die Seite eines Abfallbehälters, um den Staub zu lösen. Waschen Sie die Filter spätestens alle fünf Monate oder wenn diese stark verschmutzt sind mit lauwarmem Wasser aus.

**WICHTIG:** Allebeutellosen Staubsauger müssen regelmäßig gereinigt und gewartet werden. Werden die Filter nicht gereinigt, kann dies zu Verstopfung, Überhitzung und damit zu einem Produktausfall führen. Dadurch erlischt möglicherweise Ihre Garantie.

**WICHTIG:** Die Filter regelmäßig überprüfen und warten.

**WICHTIG:** Die Filter immer erst dann benutzen, wenn sie vollständig getrocknet sind.

#### **Herausnehmen der Filter:**

1. Drücken Sie die Staubbehälter-Freigabetaste und nehmen Sie die Behälterbaugruppe vom Staubsauger ab. [14]
2. Halten Sie die Staubbehälter mit einer Hand fest und drücken Sie mit der anderen Hand auf die Behälterklappenfreigabetaste, um den Deckel zu öffnen. [15]
3. Nehmen Sie den Vormotorfilter aus dem Behälterdeckel heraus. [18]
4. Klopfen Sie den Vormotorfilter vorsichtig aus und waschen Sie ihn. Verwenden Sie kein heißes Wasser und keine Reinigungsmittel. Entfernen Sie das überschüssige Wasser aus dem Filter und lassen Sie ihn vor erneuter Verwendung gründlich trocknen. [21,22]
5. Setzen Sie den Vormotorfilter, nachdem er vollständig getrocknet ist, wieder in den Behälterdeckel ein.

**WICHTIG:** Das Gerät darf auf keinen Fall ohne die Filter benutzt werden.

#### Entfernen des Abluftfilters:

1. Entriegeln Sie die Abluftfilterklappe durch Drücken der beiden Tasten und ziehen Sie diese aus dem Gerätekorpus. [19]
2. Nehmen Sie den Filter aus der Vertiefung, indem Sie ihn an der Öse vom Abluftfilter ziehen. [20]
3. Klopfen Sie den Filter vorsichtig aus und reinigen ihn. Verwenden Sie kein heißes Wasser und keine Reinigungsmittel. Entfernen Sie das überschüssige Wasser aus dem Filter und lassen ihn vor erneuter Verwendung vollständig trocknen. [21,22]
4. Bauen Sie das Filterpaket, nachdem es vollständig getrocknet ist, wieder zusammen und setzen Sie es in den Staubsauger ein, in dem Sie es hinein drücken, bis es nicht weiter gedrückt werden kann. [20]
5. Verriegeln Sie die Abluftfilterabdeckung, indem Sie auf die Kante mit den Clips drücken. Sie werden ein Klickgeräusch hören, wenn die Abdeckung richtig eingerastet ist. [19]

**WICHTIG:** Das Gerät darf auf keinen Fall ohne die Filter benutzt werden.

#### Reinigung des Staubbehälters/der Airvolution-Funktionseinheit

Dieser Staubsauger nutzt eine spezielle Schmutzabscheidereinheit. Bei Bedarf kann sie aus dem Staubbehälter ausgebaut und gereinigt werden.

1. Drücken Sie die Staubbehälter-Freigabetaste und nehmen Sie die Behälterbaugruppe vom Staubsauger ab. [14]
2. Halten Sie die Staubbehälter mit einer Hand fest und drücken Sie mit der anderen Hand auf die Behälterklappe-Freigabetaste, um den Staubbehälter zu öffnen. [15]
3. Nehmen Sie den Vortex-Finder (rot) von der Zykloneinheit ab. [16]
4. Nehmen Sie die Zykloneinheit vom Staubbehälter ab. [17]
5. Falls erforderlich, können Sie bei starker Verschmutzung den Vortex-Finder und die Zykloneinheit mit einem Lappen abwischen.
6. Einfach unter fließendem Wasser abspülen. [21] Bitte verwenden Sie ausschließlich lauwarmes Wasser zur Reinigung. Waschen Sie nur die Innenflächen des Behälters mit Wasser aus. Verwenden Sie hierzu keine Seife und keine Reinigungsmittel.
7. Bauen Sie alle Innenteile, wenn diese trocken sind, wieder in den Staubbehälter ein.
8. Schließen Sie den Staubbehälterdeckel und setzen Sie die Staubbehälterbaugruppe wieder in den Staubsauger ein.

#### Entfernen einer Verstopfung

1. Füllstand des Staubbehälters prüfen. Ist er voll, siehe „Leeren des Staubbehälters“.
2. Wenn der Staubbehälter leer und die Saugleistung weiterhin niedrig ist:
  - A. Müssen die Filter gereinigt werden? Falls ja, siehe Kapitel „Reinigung der waschbaren Filter“.
  - B. Prüfen Sie, ob der Saugtrakt an einer anderen Stelle verstopft ist. - Entfernen Sie Verstopfungen im Teleskoprohr oder im Saugschlauch mit einem Stab.
  - C. Prüfen Sie, ob der Vormotorvorfilter richtig eingebaut ist.
  - D. Prüfen Sie, ob die Multizykloneinheit gereinigt werden muss. Weitere Informationen finden Sie unter Reinigung der Schmutzabscheidereinheit.

#### Ersetzen Sie die Batterie des Fernbedienungshandgriffs\* [23]

Wenn die Fernbedienung, während Sie eine Taste am Handgriff drücken, nicht reagiert, wechseln Sie bitte die Batterie:

1. Lösen Sie hierzu die Fernbedienung mit einem Schraubenzieher vom Griff.
2. Um die Batterie auszuwechseln, drücken Sie auf dem Clip an der Seite und entnehmen Sie die Batterie. Setzen Sie danach die Neue ein befestigen Sie den Clip. Wenn Sie das Gerät längere Zeit nicht benutzen werden, sollten Sie die Batterien herausnehmen und sicher aufbewahren.

## PRÜFLISTE ZUR FEHLERSUCHE

Bitte prüfen Sie zunächst die einzelnen Punkte dieser Prüfliste, bevor Sie sich bei einem Problem an Ihre zuständige Hoover-Kundendienststelle wenden.

- Ist die Stromversorgung in Ordnung? Bitte überprüfen Sie diese mit einem anderen elektrischen Gerät.
- Ist der Staubbehälter voll? Siehe „Wartung des Staubsaugers“.
- Ist einer der Filter zugesetzt? Siehe „Wartung des Staubsaugers“.
- Ist der Saugschlauch oder die Düse verstopft? Siehe „Verstopfung des Saugtraktes beheben“.
- Ist der Staubsauger überhitzt? Falls ja, dauert es ca. 30 Minuten, bis der Überhitzungsschutz sich automatisch abschaltet.
- Funktioniert die Fernbedienung am Handgriff nicht? Weitere Informationen finden Sie unter „Batterie im Fernbedienungshandgriff austauschen“.

## WICHTIGE INFORMATIONEN

### Hoover Ersatzteile und Verbrauchsmaterial

Verwenden Sie stets Originalersatzteile von Hoover. Diese sind über den Hoover-Kundendienst erhältlich. Geben Sie bei der Bestellung von Ersatzteilen bitte stets die komplette 16stellige Artikelnummer (Typenplakette auf der Rückseite des Gerätes) Ihres Gerätemodells an.

### Hoover-Kundendienst

Zur Wartung oder Reparatur Ihres Produktes wenden Sie sich bitte an Ihre zuständige Hoover-Kundendienststelle.

### Qualität

BSI ISO 9001: Die Hoover-Werke wurden unabhängig voneinander jeweils einer Qualitätsprüfung unterzogen. Unsere Produkte werden nach einem Qualitätsstandard hergestellt, der die Anforderungen von ISO 9001 erfüllt.

### Garantieerklärung

Die Garantiebestimmungen für dieses Gerät entsprechen den Richtlinien des Landes, in dem Sie das Gerät erworben haben. Weitere Einzelheiten dazu erhalten Sie vom Händler, bei dem Sie das Gerät erworben haben oder aus dem roten Garantieheft, das der Verpackung beiliegt. Bitte bewahren Sie den Kaufbeleg sorgfältig auf, denn er wird für eventuell auftretende Garantieansprüche benötigt. Änderungen vorbehalten.

## ISTRUZIONI PER UN USO SICURO

Questo apparecchio deve essere utilizzato esclusivamente in ambito domestico per interventi di pulizia, secondo le istruzioni riportate nel presente documento. Accertarsi di aver compreso le istruzioni prima di mettere in funzione l'apparecchio.

Non lasciare l'apparecchio collegato alla corrente. Prima di procedere alla pulizia dell'apparecchiatura o di effettuare qualsiasi operazione di manutenzione, spegnere sempre l'apparecchio e scollegare la spina.

Questo elettrodomestico non è destinato a essere utilizzato da persone dalle ridotte capacità fisiche, sensoriali o mentali (bambini inclusi), senza una adeguata assistenza o controllo da parte di una persona adulta responsabile della loro sicurezza. Controllare che i bambini non giochino con l'apparecchio.

Pulizia e manutenzione non possono essere eseguite da bambini senza sorveglianza da parte di una persona responsabile.

Se il cavo di alimentazione è danneggiato, interrompere immediatamente l'utilizzo dell'apparecchio. Per evitare pericoli, il cavo di alimentazione dovrà essere sostituito da un tecnico del servizio assistenza autorizzato HOOVER.

Tenere le mani, i piedi, i capi di abbigliamento non attillati e i capelli lontani dalle spazzole rotanti.

Utilizzare solo accessori o parti di consumo e di ricambio consigliati o forniti da HOOVER.

**Elettricità statica:** alcuni tappeti possono produrre un accumulo di elettricità statica. Le cariche di elettricità statica non sono pericolose per la salute.

Non utilizzare l'apparecchio all'aperto, su superfici bagnate o per aspirare liquidi.

Non aspirare oggetti solidi o appuntiti, fiammiferi, ceneri calde, mozziconi di sigaretta o simili.

Non vaporizzare o aspirare liquidi infiammabili, detergenti, aerosol o i loro vapori.

Non calpestare il cavo di alimentazione durante l'utilizzo dell'apparecchio o scollegare la spina dalla presa tirando il cavo di alimentazione.

Non continuare a utilizzare l'apparecchio in caso di presunto guasto.

Non calpestare il cavo di alimentazione o avvolgerlo intorno alle braccia o alle gambe mentre si usa l'apparecchio.

Non utilizzare l'apparecchio per l'igiene della persona o degli animali.

Non collocare l'apparecchio in una posizione più bassa rispetto alla propria quando si puliscono delle scale.

**Tenere le batterie lontano dalla portata dei bambini.**

**Se una batteria viene ingerita, consultare immediatamente un medico.**

Le batterie scariche devono essere rimosse dall'apparecchio e smaltite secondo le disposizioni vigenti.

Se l'apparecchio viene riposto e inutilizzato per un lungo periodo, le batterie devono essere rimosse e riposte in sicurezza.

Se l'apparecchio è da smaltire, le batterie devono prima essere rimosse.

Rimuovere la batteria solo quando l'apparecchio è scollegato dalla rete di alimentazione.

Smaltire le batterie in sicurezza.

Usare solo batterie al Lithium CR2032 3V. Tipologia non ricaricabile.

Le batterie devono essere inserite con polarità corretta: il polo positivo "+" è sul lato superiore. [23]

Le batterie di tipo non ricaricabile non devono essere ricaricate. I terminali della batteria non devono essere messi in cortocircuito.

**Assistenza HOOVER:** Per garantire un funzionamento sempre sicuro ed efficiente dell'apparecchiatura, si consiglia di fare eseguire eventuali interventi di assistenza o di riparazione dai tecnici del servizio assistenza autorizzato HOOVER.

### Ambiente:

Il simbolo apposto sul prodotto indica che lo stesso non può essere smaltito come i normali rifiuti domestici, bensì deve essere portato al punto di raccolta o al centro di riciclaggio delle apparecchiature elettriche ed elettroniche più vicino. Lo smaltimento deve essere eseguito in conformità alle normative locali vigenti per la salvaguardia dell'ambiente e lo smaltimento dei rifiuti. Per ulteriori informazioni sul trattamento, il recupero e il riciclaggio di questo prodotto, contattare l'unità territoriale competente per il servizio di smaltimento o il negozio in cui il prodotto è stato acquistato.



### Per modelli muniti di telecomando Hi-Controller:

Bande di frequenza	300Mhz ~ 450Mhz
Potenza RF massima trasmessa nella banda di frequenza	11 dBm

**CE** Con questo Candy Hoover Group Srl, dichiara che questo apparecchio è conforme ai requisiti essenziali delle Direttive 2014/53/UE e 2011/65/UE. Per ricevere una copia di questa dichiarazione di conformità, si prega di contattare il produttore consultando il sito [www.candy-group.com](http://www.candy-group.com)

**Per tutti gli altri modelli:**

**CE** Questo prodotto è conforme alle Direttive Europee 2014/35/EU, 2014/30/EU e 2011/65/EU.

CANDY HOOVER GROUP S.r.l. Via Privata Eden Fumagalli, 20861 Brugherio (MB) Italy

## DESCRIZIONE DELL'APPARECCHIO

- |   |  |
|---|--|
| A. Gruppo contenitore raccogli-polvere  | O. Impugnatura morbida Advanced Comfort, regolatore dell'aspirazione ed accessori integrati: bocchetta per fessure, spazzola a pennello e spazzola per mobili e imbottiti* (Vedi Na) |
| B. Corpo principale dell'apparecchio  | P. Impugnatura morbida Essential, regolatore dell'aspirazione e bocchetta per fessure integrata*   |
| C. Pulsante a pedale Accensione/ Spegnimento  | Q. Tubo telescopico**  |
| D. Alloggiamento tubo in posizione di parcheggio  | Q1. Connettore per connessione sicura per tubo telescopico*  |
| E. Pulsante sblocco contenitore raccogli-polvere  | Q2. Dispositivo di controllo del tubo telescopico**  |
| F. Pedale di riavvolgimento del cavo  | R. Raccordo per connessione sicura per spazzola tappeti e pavimenti*   |
| G. Contenitore raccogli-polvere   | S. Pedale selettore tipo pavimento   |
| H. Apparato ciclonico   | T. Corsore spazzola tappeti e pavimenti*   |
| I. Condotto d'uscita ( Rosso metallico )  | U. Spazzola per tappeti e pavimenti (GP)**   |
| J. Coperchio contenitore raccogli-polvere   | U1. Spazzola per tappeti (CA)**  |
| K. Levetta di sblocco dello sportello del contenitore raccogli-polvere  | U2. Spazzola per pavimenti duri (HF)**   |
| L. Pulsante di sblocco del coperchio del contenitore raccogli-polvere   | V. Filtro pre-motore   |
| M. Tubo flessibile  | W. Filtro in uscita  |
| N. Impugnatura morbida con telecomando Hi-Controller*   | X. Spazzola Mini Turbo doppia azione per rimuovere i peli di animali domestici*  |
| N1. Pulsanti controllo potenza variabile  | Y. Spazzola Mini Turbo doppia azione per rimuovere gli allergeni*  |
| N2. Pulsante Silent Power   | Z. Spazzola Parquet Extra Care*  |
| N3. Pulsante di accensione/spegnimento  | AA. Spazzola Parquet Care*   |
| N4. Indicatore a Led della batteria del telecomando sull'impugnatura  | AB. Bocchetta lunga 2In1 *   |
| Na. Accessori integrati nell'impugnatura: bocchetta per fessure, spazzola a pennello e spazzola per mobili e imbottiti* | AC. Bocchetta XL tutti gli usi*  |

\*Solo su alcuni modelli \*\* Possono variare secondo il modello

## MONTAGGIO DELL'APPARECCHIO

Disimballare tutti i componenti.

1. Collegare il tubo flessibile al corpo principale dell'apparecchio, assicurandosi che si agganci e si blocchi in posizione. Per disinserire il tubo è sufficiente premere le levette all'estremità del tubo flessibile e tirare. [1]
2. Collegare l'impugnatura\*\* all'estremità superiore del tubo. [2]
3. Collegare l'estremità inferiore del tubo alla spazzola\*\* per tappeti e pavimenti o, se necessario, agli accessori. [3]

## UTILIZZO DELL'APPARECCHIO

1. Estrarre il cavo di alimentazione e inserirlo in una presa di corrente. Non tirare il cavo oltre l'indicatore rosso. [4]
2. Regolare il tubo telescopico all'altezza desiderata spostando il dispositivo di controllo del tubo telescopico\*\* e sollevando o abbassando il tubo fino a trovare la posizione di pulizia più confortevole. [5]
3. Dopo aver collegato l'estremità inferiore del tubo telescopico alla spazzola\*\* per tappeti e pavimenti o, se necessario, agli accessori, premere il pedale sulla spazzola\* per selezionare la modalità di pulizia ideale per il tipo di pavimento. **Pavimento** – Le setole si abbassano per proteggere il pavimento. **Tappeto/moquette** – Le spazzole si sollevano per garantire una pulizia più in profondità.

**Spazzola tappeti e pavimenti\*\*:** [6]

- **Pulizia pavimentazioni dure:** Premere il pedale sulla spazzola in modalità "Pavimenti Duri" e selezionare con il cursore sulla spazzola la modalità "TUTTI I PAVIMENTI". In questa modalità spazzole, ruote e inserto in gomma vengono abbassati per proteggere i pavimenti duri. [6a]

- **Pulizia standard per tappeti e moquette:** Premere il pedale sulla spazzola in modalità "Tappeti" e selezionare con il cursore sulla spazzola la modalità "TUTTI I PAVIMENTI". In questa modalità spazzole e inserto in gomma vengono sollevati, mentre le ruote sono abbassate per facilitare il movimento su queste superfici. [6b]

- **Pulizia profonda per tappeti:** Premere il pedale sulla spazzola in modalità "Tappeti" e selezionare con il cursore sulla spazzola la modalità "PULIZIA PROFONDA TAPPETI". In questa modalità spazzole, ruote e inserto in gomma vengono sollevati per pulire a fondo il tappeto. [6c]

**ATTENZIONE:** Per evitare graffiature a pavimenti in legno prestare attenzione e non posizionare il pedale in modalità "Pavimenti duri" e il cursore in modalità "PULIZIA PROFONDA TAPPETI".

4. Spegner l'apparecchio premendo il pulsante di accensione/spegnimento sul corpo principale [7] o facendo slittare il pulsante di accensione/spegnimento sull'impugnatura\* del tubo flessibile. [8]
5. Regolare il livello di potenza premendo i pulsanti di controllo potenza variabile sull'impugnatura\* del tubo flessibile. [9]

**Impostazioni con Impugnatura morbida Hi-Controller\*:**

- **Accensione/spegnimento dell'apparecchio:** Premere il pulsante accensione/spegnimento. [8]
- **Variatore di potenza:** premere i pulsanti "+, -" per regolare la potenza. [9]
- **Modalità Silenziosa:** Premere il pulsante Silent per pulizie accurate con un basso livello di rumore. [10]

**Accessori integrati nell'impugnatura:**

- **Bocchetta per fessure incorporata :** L'estremità dell'impugnatura del tubo flessibile



- può essere utilizzata come bocchetta per fessure per raggiungere gli spazi più stretti.
- **Spazzola per mobili e imbottiti** : Premere le levette su entrambi i lati della maniglia e far scorrere verso il basso per rilasciare la spazzola per mobili e imbottiti per pulire superfici morbide e tessuti (tende, tappezzeria). [11]
- **Spazzola a pennello**: Premere le levette su entrambi i lati della maniglia e far scorrere verso il basso, quindi spingere il cursore verso l'esterno per rilasciare la spazzola a pennello incorporata. Ideale per superfici dure (librerie, tastiere, battiscopa). [11]

#### Impugnatura Advanced Comfort\*:

- **Regolatore forza aspirante** : Regolare la potenza di aspirazione aprendo o chiudendo la valvola dell'aria sull'impugnatura. [12]

#### Accessori integrati nell'impugnatura :

- **Bocchetta per fessure incorporata** : L'estremità dell'impugnatura del tubo flessibile può essere utilizzata come bocchetta per fessure per raggiungere gli spazi più stretti.
- **Spazzola per mobili e imbottiti** : Premere le levette su entrambi i lati della maniglia e far scorrere verso il basso per rilasciare la spazzola per mobili e imbottiti per pulire superfici morbide e tessuti (tende, tappezzeria). [11]
- **Spazzola a pennello** : Premere le levette su entrambi i lati della maniglia e far scorrere verso il basso, quindi spingere il cursore verso l'esterno per rilasciare la spazzola a pennello incorporata. Ideale per superfici dure (librerie, tastiere, battiscopa). [11]

#### Impugnatura Essential\*:

- **Regolatore forza aspirante** : Regolare la potenza di aspirazione aprendo o chiudendo la valvola dell'aria sull'impugnatura. [12]
- **Bocchetta per fessure incorporata** : L'estremità dell'impugnatura del tubo flessibile può essere utilizzata come bocchetta per fessure per raggiungere gli spazi più stretti.

Dopo l'uso, spegnere l'apparecchio premendo il pedale di accensione/spegnimento o il pulsante sulla maniglia\* del tubo flessibile. Staccare la spina e riavvolgere il cavo di alimentazione premendo il pedale di riavvolgimento.

#### Stazionamento e Parcheggio

Il tubo può essere parcheggiato sul retro dell'apparecchio per essere riposto o per uno stazionamento temporaneo durante l'uso. [13]

## ACCESSORI

Per ottenere prestazioni ottimali ed efficienza, è consigliato usare le spazzole appropriate per le principali operazioni di pulizia. Queste spazzole sono indicate nel diagramma con le lettere **GP**, **HF** o **CA**.

La spazzola di tipo **GP** è adatta per pulire sia tappeti che pavimenti duri.

La spazzola di tipo **HF** è adatta solo per la pulizia dei pavimenti duri.

La spazzola di tipo **CA** è adatta solo per la pulizia dei tappeti.

Le altre spazzole sono accessorie per operazioni di pulizia speciale e sono raccomandate solo per usi occasionali.

Tutti gli accessori possono essere inseriti nell'impugnatura o all'estremità del tubo telescopico.

**Spazzola doppia azione per rimuovere i peli di animali domestici\*** - utilizzare la mini turbospazzola per la pulizia profonda di superfici tessili e imbottiti e per altre aree difficili. Particolarmente adatta per rimuovere i peli degli animali domestici. [X]

**Spazzola doppia azione per rimuovere gli allergeni\*** - Utilizzare la mini turbospazzola per la pulizia profonda di superfici tessili, imbottiti e altre aree difficili da pulire in cui si annidano acari e batteri. [Y]

\*Solo su alcuni modelli    \*\* Possono variare secondo il modello

**Spazzole Parquet Extra Care e Parquet Care\*** – Per parquet e pavimenti delicati. [Z(30cm), AA(25cm)]

**Bocchetta lunga 2In1\*** – Bocchetta per fessure e spazzola a pennello - Consente di pulire aree difficili da raggiungere come scaffali e angoli alti. [AB]

**Bocchetta XL tutti gli usi\*** - Ideale per la pulizia di superfici ampie e morbide come divani, materassi e imbottiti. [AC]

**IMPORTANTE:** Non utilizzare le mini turbo spazzole su tappeti a frange, pellicce o moquette con pelo di oltre 15 mm. Non tenere ferma la spazzola mentre è in rotazione.

## MANUTENZIONE DELL'APPARECCHIO

### Svuotamento contenitore raccogli polvere

Quando la polvere raggiunge l'indicatore di livello massimo, svuotare il contenitore raccogli polvere.

**IMPORTANTE:** Per ottenere prestazioni ottimali, non consentire che la polvere si accumuli oltre il livello massimo.

1. Spegnerne l'apparecchio tramite l'interruttore e staccare la spina.
2. Premere il pulsante di sblocco del contenitore raccogli polvere e rimuovere il gruppo contenitore dall'apparecchio. [14]
3. Con una mano tenere il contenitore raccogli polvere e premere la levetta di sblocco dello sportello. [17]
4. Chiudere lo sportello contenitore raccogli polvere e riposizionarlo sul corpo principale dell'apparecchio. [14]

### Pulizia dei filtri lavabili

L'apparecchio è dotato di filtro pre-motore e di filtro in uscita. Per mantenere prestazioni ottimali, rimuovere periodicamente i filtri e picchiettarli contro il lato del contenitore dei rifiuti per eliminarne la polvere. I filtri devono essere lavati ogni 5 svuotamenti del contenitore raccogli polvere o quando la polvere nel filtro risulti eccessiva.

**IMPORTANTE:** Tutti gli apparecchi senza sacchetto richiedono una regolare pulizia del filtro. La mancata pulizia dei filtri può causare il blocco, il surriscaldamento e il danneggiamento dell'apparecchio. Tutto ciò può invalidare la garanzia.

**IMPORTANTE:** Controllare i filtri sistematicamente e sottoporli a regolare manutenzione.

**IMPORTANTE:** prima di utilizzare i filtri, accertarsi sempre che siano asciutti.

### Per accedere al filtro:

1. Premere il pulsante di sblocco del contenitore raccogli polvere e rimuovere il gruppo contenitore dall'apparecchio. [14]
2. Con una mano tenere il contenitore raccogli polvere e con l'altra premere il pulsante di sblocco del coperchio per aprirlo. [15]
3. Rimuovere il filtro pre-motore collocato nel coperchio del contenitore. [18]
4. Picchiettare e lavare il filtro pre-motore. Non utilizzare acqua bollente o detergenti. Eliminare l'acqua in eccesso dal filtro e lasciarlo asciugare completamente prima di riutilizzarlo. [21,22]
5. Quando completamente asciutto, riassemblare il filtro pre-motore nel coperchio del contenitore raccogli polvere e rimontarlo nell'apparecchio.

**IMPORTANTE:** Non utilizzare il prodotto senza aver prima montato l'unità filtro.

**Per accedere al filtro in uscita:**

1. Sbloccare il coperchio del filtro in uscita premendo i due pulsanti e poi tirando verso l'esterno dell'apparecchio. [19]
2. Estrarre l'unità filtro dalla sua sede trascinandola con il suo anello per l'estrazione. [20]
3. Picchiettare e lavare l'unità filtro. Non utilizzare acqua bollente o detersivi. Eliminare l'acqua in eccesso dal filtro e lasciarlo asciugare completamente prima di riutilizzarlo. [21,22]
4. Una volta completamente asciugata, riassemblare l'unità filtro e rimontarla sull'apparecchio reinserendola nella sua posizione spingendo fino in fondo. [20]
5. Bloccare il coperchio del filtro in uscita premendo il lato con le clips, si udirà quindi un click quando il coperchio del filtro in uscita si inserirà in posizione. [19]

**IMPORTANTE:** Non utilizzare il prodotto senza aver prima montato l'unità filtro.

**Pulizia del contenitore raccogli-polvere/dell'unità Airvolution**

Questo apparecchio utilizza un sistema di separazione esclusivo di Hoover. Se necessario, l'unità di separazione può essere smontata dal contenitore raccogli-polvere e pulita.

1. Premere il pulsante di sblocco del contenitore raccogli-polvere e rimuovere il gruppo contenitore dall'apparecchio. [14]
2. Con una mano tenere il contenitore raccogli-polvere e con l'altra premere il pulsante di sblocco del coperchio per aprirlo. [15]
3. Rimuovere il condotto d'uscita (rosso) dall'apparato ciclonico. [16]
4. Rimuovere l'apparato ciclonico dal contenitore raccogli-polvere. [17]
5. Se necessario, utilizzare un panno per rimuovere la polvere in eccesso dalla superficie del condotto d'uscita rosso e dall'apparato ciclonico.
6. Collocare il contenitore raccogli-polvere sotto il rubinetto. [21] Sciacquare con acqua tiepida. Lavare le superfici interne del contenitore raccogli-polvere solo con acqua. NON utilizzare detersivi o sapone per lavare le parti interne del contenitore raccogli-polvere.
7. Rimontare il componente interno nel contenitore raccogli-polvere, assicurandosi che tutti i componenti siano asciutti.
8. Chiudere il coperchio del contenitore raccogli-polvere e rimontare il gruppo contenitore raccogli-polvere nell'apparecchio.

**Rimozione di un'ostruzione**

1. Controllare se il contenitore raccogli-polvere è pieno. Se così fosse, vedere la sezione "Svuotamento del contenitore raccogli-polvere".
2. Se il contenitore raccogli-polvere è vuoto, ma l'aspirazione è ancora scarsa:
  - A. Potrebbe essere necessario pulire i filtri. In questo caso, vedere la sezione "Pulizia dei filtri lavabili".
  - B. Controllare che non vi siano altre ostruzioni nel sistema. - Utilizzare un'asticella o un bastoncino per rimuovere eventuali ostruzioni dal tubo telescopico o dal tubo flessibile.
  - C. Verificare che il filtro pre-motore sia installato.
  - D. Verificare se l'unità di separazione debba essere pulita. Vedere "Pulizia dell'unità di separazione".

**Sostituzione della batteria del telecomando nell'impugnatura\* [23]**

Sostituire la batteria, se premendo un pulsante qualsiasi, i comandi nell'impugnatura non rispondono:

1. Utilizzare un cacciavite per estrarre il telecomando dall'impugnatura.

2. Per sostituire la batteria, premere e spostare la clip, rimuovere le vecchie batterie e sostituirle, quindi riposizionare la clip. Usare solo batterie al Lithium CR2032 3V.

**CHECKLIST UTENTE**

In caso di problemi, completare questa semplice checklist utente prima di chiamare il centro assistenza Hoover.

- La presa elettrica a cui è collegato l'apparecchio è funzionante? Controllare collegando un altro elettrodomestico.
- Il contenitore raccogli-polvere è pieno? Vedere "Manutenzione dell'apparecchio".
- Il filtro è ostruito? Vedere "Manutenzione dell'apparecchio".
- Il tubo flessibile o la bocchetta sono ostruiti? Vedere "Rimozione di un'ostruzione dal sistema".
- L'aspirapolvere si è surriscaldato? In questo caso, il reset automatico richiede circa 30 minuti.
- Il telecomando nell'impugnatura non funziona? Vedere la sezione "Sostituzione della batteria del telecomando nell'impugnatura".

**INFORMAZIONI IMPORTANTI****Parti di ricambio e di consumo Hoover**

Utilizzare sempre parti di ricambio originali Hoover. che è possibile acquistare dal distributore locale Hoover o direttamente sul sito internet Hoover. Quando si ordinano delle parti di ricambio, ricordarsi sempre di fornire il numero di modello dell'apparecchio utilizzato.

**Qualità**

BSI ISO 9001: La qualità degli stabilimenti Hoover è stata sottoposta a valutazione indipendente. I nostri prodotti vengono realizzati mediante un sistema di qualità che soddisfa i requisiti ISO 9001.

**Assistenza e garanzia Hoover**

Il prodotto è garantito, oltre che ai sensi di legge, alle condizioni e nei termini riportati sul certificato di garanzia convenzionale inserito nel prodotto. Il certificato dovrà essere conservato e mostrato al nostro Centro di Assistenza Tecnica Autorizzato, in caso di necessità, insieme allo scontrino comprovante l'acquisto dell'elettrodomestico. Puoi consultare le condizioni di garanzia anche sul nostro sito internet.

Per ottenere assistenza compila l'apposito form on-line oppure contattaci al numero che trovi indicato nella pagina di assistenza del nostro sito internet.

Queste condizioni potrebbero venire modificate senza obbligo di preavviso.

## INSTRUCTIES VOOR VEILIG GEBRUIK

Dit toestel mag enkel gebruikt worden voor reiniging in het huis, zoals beschreven in deze gebruikersgids. Zorg ervoor dat u de instructies volledig begrijpt voordat u het apparaat in gebruik neemt.

Laat het toestel nooit aangesloten achter. Schakel het toestel altijd uit en verwijder de stekker uit het stopcontact na gebruik, of voor het reinigen van het toestel of bij elke onderhoudstaak.

Dit toestel kan gebruikt worden door kinderen vanaf 8 jaar en ouder en personen met verminderde lichamelijke, zintuiglijke of mentale capaciteiten of een gebrek aan ervaring of kennis indien ze toezicht of onderricht gehad hebben betreffende het veilig gebruik van het toestel en het begrip van de gevaren in kwestie. Kinderen mogen niet met het toestel spelen.

Reinigings- en gebruiksonderhoud mag niet uitgevoerd worden door kinderen zonder toezicht.

Indien het stroomsnoer beschadigd is, stop dan onmiddellijk met het toestel te gebruiken. Om veiligheidsgevaar te vermijden, mag enkel een erkende HOOVER dienstingenieur de stroomkabel vervangen.

Houd handen, voeten, losse kleding en haar uit de buurt van roterende borstels.

Gebruik enkel verlengstukken, verbruiksartikelen of reserveonderdelen aanbevolen of geleverd door HOOVER.

**Statische elektriciteit:** Sommige tapijten kunnen statische elektriciteit veroorzaken. Ontladingen van statische elektriciteit zijn onschadelijk voor uw gezondheid.

Gebruik je toestel nooit buiten of op natte oppervlaktes of om vocht op te nemen.

Raap geen harde of scherpe objecten op zoals lucifers, hete assen, sigaretten of andere gelijkaardige items.

Spuut niet met ontvlambare vloeistoffen, reinigingsvloeistoffen, aerosols of hun dampen en zuig ze ook niet op.

Loop niet over het stroomsnoer wanneer je het toestel gebruikt of verwijder de stekker niet door aan het stroomsnoer te trekken.

Blijf dit toestel niet gebruiken wanneer het defect blijkt.

Niet op het snoer staan of het snoer rond armen of benen

winden terwijl je het toestel gebruikt.

Gebruik het toestel niet om dieren of mensen te reinigen.

Plaats het toestel niet boven je tijdens het reinigen van de trap.

**Houd de batterijen buiten het bereik van kinderen.**

**Als een batterij wordt ingeslikt, raadpleeg dan onmiddellijk een arts.**

Lege batterijen moeten uit het apparaat worden verwijderd en op een veilige manier worden verwerkt.

Als het apparaat gedurende een lange tijd ongebruikt zal worden opgeslagen, dan moeten de batterijen worden verwijderd en veilig worden opgeslagen.

In het geval dat u het apparaat weg doet, dienen de batterijen eerst verwijderd te worden.

Bij het verwijderen van de batterij moet het apparaat ontkoppeld zijn van het net.

Gooi de batterijen veilig weg.

Gebruik alleen batterijen van het type lithium CR2032 3V. Van het niet-herlaadbare type.

Batterijen moeten volgens de juiste polariteit worden geplaatst: de pluspool "+" gaat bovenaan. [23]

Niet-herlaadbare batterijen mogen niet worden herladen.

De batterijaansluitingen mogen niet worden kortgesloten.

**HOOVER dienstverlening:** Om de blijvende veilige en efficiënte werking van dit toestel te verzekeren, bevelen we aan dat alle herstellingen uitgevoerd worden door een erkende HOOVER dienstingenieur.

### Het milieu

Het symbool op dit toestel duidt aan dat dit toestel niet mag behandeld worden als huishoudelijk afval. In de plaats daarvan moet het overhandigd worden aan het geschikte verzamelpunt voor de recyclage van elektrische en elektronische uitrusting. U moet het toestel weggooien in overeenstemming met de lokale voorschriften voor afvalverwerking. Voor meer gedetailleerde informatie over behandeling, herstel en recyclage van dit toestel, gelieve je lokale gemeentebestuur te contacteren, je dienst voor huishoud- en afvalverwerking of de winkel waar je het toestel kocht.



### Voor modellen met Hi-Controller-afstandsbediening

Frequentiebanden	300Mhz ~ 450Mhz
Maximaal in de frequentieband verstuurd hoogfrequent vermogen	11 dBm

**C** Hierbij verklaart de Candy Hoover Group Srl dat dit apparaat voldoet aan de basisvoorwaarden van de Europese Richtlijnen 2014/53/EU en 2011/65/EU. Om een kopie van de conformiteitsverklaring te ontvangen, kunt u contact opnemen met de fabrikant op [www.candy-group.com](http://www.candy-group.com)

**Voor alle andere modellen:**

**C** Dit toestel voldoet aan de Europese Richtlijnen 2014/35/EU, 2014/30/EU en 2011/65/EU.

CANDY HOOVER GROUP S.r.l. Via Privata Eden Fumagalli, 20861 Brugherio (MB) Italy

## LEER JE REINIGER KENNEN

- |  |   |
|--|---|
| A. Stofbak samenstelling   | zuigkrachtregelaar en geïntegreerde                         |
| B. Hoofdlichaam Stofzuiger   | accessoires: kierenmondstuk, stofborstel                    |
| C. Aan/uit-knop  | en meubelmondstuk* (Zie 'Na')                               |
| D. Parkeerstand  | P. Essentiële handgreep met soft                            |
| E. Stofbak ontgrendelknop  | grip, zuigkrachtregelaar en geïntegreerd kierenmondstuk*    |
| F. Snoerpropedaal  | Q. Telescopische buis**                                     |
| G. Stofzak   | Q1.Veilige verbinding telescopische buis*                   |
| H. Cycloon lichaam   | Q2.Regelaar voor telescopische buis**                       |
| I. Vortex Finder ( Rood-metallic )   | R. Veilige verbinding tapijt- en vloermondstuk*             |
| J. Stofbak klep  | S. Keuzeknop vloertype                                      |
| K. Stofbak klep ontgrendeltrekker  | T. Schuifknop tapijt- en vloermondstuk*                     |
| L. Stofbak deksel ontgrendelknop   | U. Tapijt en vloermondstuk (GP)**                           |
| M. Slang   | U1.Tapijt Mondstuk. (CA)**                                  |
| N. Hi-Controller-handgreep met afstandsbediening en soft grip*                               | U2.Mondstuk voor harde vloer (HF)**                         |
| N1.Variabele vermogensknoppen  | V. Pre-motor filter   |
| N2.'Silent Power'-knop   | W. Uitlaat Filter   |
| N3.Aan/uit-schakelaar  | X. Dubbelwerkende miniturbozuigmond voor dierenharen*       |
| N4.Ledbatterij-indicator van afstandsbediening handgreep                                     | Y. Dubbelwerkende miniturbozuigmond voor allergene stoffen* |
| Na.Geïntegreerde accessoires op de handgreep: kierenmondstuk, stofborstel en meubelmondstuk* | Z. Zuigmond Extra parketverzorging*                         |
| O. Handgreep met geavanceerd comfort en soft grip,   | AA.Zuigmond parketverzorging*                               |
|  | AB.Lang 2-in-1-gereedschap *                                |
|  | AC.Meubelmondstuk XL*                                       |

\*Alleen bepaalde modellen \*\* Kan verschillen per model

## JE REINIGER MONTEREN

Verwijder alle onderdelen uit de verpakking.

1. Steek de slang in de stofzuiger en klik deze erin vast. Om de slang los te koppelen volstaat het om op de grendels aan het uiteinde van de slang te drukken en dan te trekken. [1]
2. Sluit de handgreep\*\* van de slang aan op het bovenste buisuiteinde. [2]
3. Sluit, indien noodzakelijk, het onderste deel van de buis aan op het tapijt- en vloermondstuk\*\* of de accessoires. [3]

## UW STOFZUIGER GEBRUIKEN

1. Trek de voedingskabel uit en steek hem in het stopcontact. Trek het snoer niet verder uit dan de rode markering. [4]
  2. Pas de telescopische buis aan op gewenste hoogte door de telescopische buis aanpasser te bewegen\*\* en hef de buis op of verlaag het naar de meest comfortabele reinigingspositie. [5]
  3. Druk de vloertype keuzeknop in en selecteer de gewenste reinigingswijze voor het voertype als, indien noodzakelijk, het onderste deel van de telescopische buis is aangesloten op het tapijt- en vloermondstuk\*\* of de accessoires.  
**Harde vloer** – De borstels wijzen naar beneden en beschermen zo de vloer.  
**Tapijt** – Voor een grondigere reiniging worden de borstels omhoog gehaald.  
**Tapijt- & vloermondstuk\*\*:** [6]
    - **Reiniging van harde vloer:** Druk de knop op het mondstuk naar de harde-vloer-stand en zet de schuifknop op het mondstuk op ALLE VLOERTYPEN. In deze stand worden de borstels, wielen en wisser omlaag gebracht om harde vloeren te beschermen. [6a]
    - **Standaardreiniging van tapijt en vloerkleden:** Druk de knop op het mondstuk naar de tapijtstand en zet de schuifknop op het mondstuk op ALLE VLOERTYPEN. In deze stand worden de borstels en de wisser omhoog gehaald en zijn de wielen omlaag gebracht zodat eenvoudig over elk oppervlak kan worden bewogen. [6b]
    - **Grondige reiniging van tapijt:** Druk de knop op het mondstuk naar de tapijtstand en zet de schuifknop op het mondstuk op GRONDIGE REINIGING TAPIJT. In deze stand zijn de borstels, wielen en wisser omhoog gehaald voor een grondigere reiniging van het tapijt. [6c]**WAARSCHUWING:** Om eventuele krassen op houten vloeren te vermijden, wordt geadviseerd om de knop niet op de harde-vloer-stand te plaatsen en de schuifknop niet op de grondige reiniging tapijt te zetten.
  4. Zet de stofzuiger aan door op de aan/uit-knop op de stofzuiger zelf te drukken [7] of op de aan/uit-knop op de handgreep\* van de slang te drukken. [8]
  5. Stel de gewenste zuigkracht in door op de bedieningsknoppen voor variabele zuigkracht op de handgreep\* van de slang te drukken. [9]
- Hi-Controller-handgreep met instellingen\*:**
- **Schakel de stofzuiger aan/uit:** Druk op de aan/uit-knop. [8]
  - **Variabele vermogensregeling:** Druk op de knoppen "+,-" om het vermogen af te stellen. [9]
  - **Silent Power Mode:** Druk op de 'silent power'-knop om grondig te reinigen aan een beperkt geluidsniveau. [10]
- Geïntegreerde accessoires op de handgreep:**
- **Ingebouwd kierenmondstuk :** Het uiteinde van de slanghandgreep kan worden gebruikt als kierenmondstuk om nauwe plekken te bereiken.
  - **Meubelmondstuk :** Druk op de grendels aan weerszijden van de handgreep en schuif de greep naar beneden zodat het meubelmondstuk vrijkomt om zachte oppervlakken en

- stoffen (gordijnen, bekleding) te reinigen. [11]
- **Stofborstel:** Druk op de grendels aan weerszijden van de handgreep, schuif de greep naar beneden en schuif de glijder naar het uiteinde zodat de ingebouwde stofborstel vrijkomt. Ideaal voor harde oppervlakken (boekenplanken, toetsenborden, plinten). [11]

#### Handgreep met geavanceerd comfort\*:

- **Zuigkrachtregeling :** Pas het zuigvermogen aan door de luchtklep op de handgreep open of dicht te draaien. [12]

#### Geïntegreerde accessoires op de handgreep :

- **Ingebouwd kierenmondstuk :** Het uiteinde van de slanghandgreep kan worden gebruikt als kierenmondstuk om nauwe plekken te bereiken.
- **Meubelmondstuk :** Druk op de grendels aan weerszijden van de handgreep en schuif de greep naar beneden zodat het meubelmondstuk vrijkomt om zachte oppervlakken en stoffen (gordijnen, bekleding) te reinigen. [11]
- **Stofborstel :** Druk op de grendels aan weerszijden van de handgreep, schuif de greep naar beneden en schuif de glijder naar het uiteinde zodat de ingebouwde stofborstel vrijkomt. Ideaal voor harde oppervlakken (boekenplanken, toetsenborden, plinten). [11]

#### Essentiële handgreep\*:

- **Zuigkrachtregeling :** Pas het zuigvermogen aan door de luchtklep op de handgreep open of dicht te draaien. [12]
- **Ingebouwd kierenmondstuk :** Het uiteinde van de slanghandgreep kan worden gebruikt als kierenmondstuk om nauwe plekken te bereiken.

Schakel de stofzuiger na gebruik uit door op de aan/uit-knop op de stofzuiger of de aan/uit-knop op de handgreep\* van de slang te drukken. Koppel het snoer los en druk op de spoelpedaal van het snoer om het snoer op te winden.

#### Parkeer- en opslagsectie

De telezoombuis kan tijdens het gebruik tijdelijk worden geparkeerd, of kan in de opslagpositie worden gezet wanneer de buis niet wordt gebruikt. [13]

## ACCESSOIRES

Voor optimaal functioneren en efficiëntie is het aan te bevelen dat de juiste mondstukken voor de voornaamste schoonmaak taken worden gebruikt. Deze mondstukken worden in de diagrammen afgebeeld met de letters **GP**, **HF** of **CA**.

Een **GP** type mondstuk kan gebruikt worden voor schoonmaak van zowel tapijt als harde vloer.

Een **HF** type mondstuk is enkel geschikt voor gebruik op harde vloer.

Een **CA** type mondstuk is enkel geschikt voor gebruik op tapijt.

De andere mondstukken zijn accessoires voor gespecialiseerde schoonmaaktaken en worden alleen aanbevolen voor occasioneel gebruik.

Alle accessoires kunnen op de handgreep van de slang of op het uiteinde van de telescopische buis worden geplaatst.

**Dubbelwerkende zuigmond voor dierenharen\*** - Gebruik het miniturbomondstuk voor trappen of voor het grondig reinigen van textielproducten en andere moeilijk schoon te maken plaatsen. Vooral geschikt voor het verwijderen van haren van huisdieren. [X]

**Dubbelwerkende zuigmond voor allergene stoffen\*** - Gebruik het miniturbomondstuk voor trappen of voor het grondig reinigen van textielproducten en andere moeilijk schoon te

maken plekken; bijzonder geschikt om huisstofmijt te verwijderen. [Y]

**Zuigmonden Extra parketverzorging en parketverzorging\*** – Voor parketvloeren en andere kwetsbare vloeren. [Z(30cm) , AA(25cm)]

**Lang 2-in-1-gereedschap\*** – Kierenmondstuk en stofborstel - Hiermee kunnen moeilijk te bereiken plekken zoals boekenplanken en hoge hoeken worden gereinigd. [AB]

**Meubelmondstuk XL\*** - Ideaal voor het reinigen van grote en zachte oppervlakken zoals sofa's, matrassen en divans. [AC]

**BELANGRIJK:** Gebruik het turbomondstuk en het miniturbomondstuk niet op tapijten met lange franjes, op dierenhuiden of op tapijten dikker dan 15 mm. Hou de zuigmond niet stil terwijl de borstel draait.

## ONDERHOUD STOFZUIGER

#### De stofbak leegmaken

Ledig de stofcontainer zodra het stof de markering 'max. niveau' in het reservoir bereikt.

**BELANGRIJK:** Zorg ervoor dat het stof niet boven het aangegeven maximale niveau uitkomt als u wilt dat uw stofzuiger optimaal werkt.

1. Zet de stofzuiger uit met de hoofdknop en haal de stekker uit het stopcontact.
2. Druk op de stofbakontgrendelingsknop en verwijder de stofbak van de stofzuiger. [14]
3. Houd de stofbak in één hand en druk op de stofbak klep ontgrendel trekker. [17]
4. Doe de stofbak klep dicht en maak deze opnieuw vast aan het hoofdlichaam van de stofzuiger. [14]

#### De wasbare filters reinigen

De stofzuiger is uitgerust met een pre-motorfilter en een uitlaatfilter. Voor de beste prestaties van de stofzuiger verwijdert u de filters regelmatig en klop ze schoon tegen de zijkant van de afvalbak. De filters moeten worden uitgespoeld nadat het reservoir 5 maal is geleegd, maar ook wanneer het filter te veel stof bevat.

**BELANGRIJK:** Bij alle zakloze stofzuigers moeten de filters regelmatig worden gereinigd. Het niet reinigen van de filters kan leiden tot verstopping, oververhitting en storing van het product. Hierdoor kan uw garantie komen te vervallen.

**BELANGRIJK:** Controleer en reinig de filters regelmatig.

**BELANGRIJK:** Zorg er voor gebruik altijd voor dat het filterelement helemaal droog is.

#### Voor toegang tot de filters:

1. Druk op de stofbakontgrendelingsknop en verwijder de stofbak van de stofzuiger. [14]
2. Houd de stofbak vast met één hand en druk met de andere hand op de stofbak klep ontgrendelknop om de klep van de bak te openen. [15]
3. Verwijder de pre-motor filter die zich in de klep van de bak bevindt. [18]
4. Voorzichtig op de pre-motor filter tikken en deze wassen. Gebruik geen heet water of schoonmaakmiddelen. Verwijder het overtollige water uit de filter en laat hem helemaal opdrogen alvorens hem opnieuw te gebruiken. [21,22]
5. Plaats de pre-motor filter weer terug in de klep van de stofbak als deze helemaal droog is en zet het weer vast op de stofzuiger.

**BELANGRIJK:** Gebruik het product niet zonder filterpakket.

**Voor toegang tot de uitlaatfilter:**

1. Ontgrendel de uitlaatfilter door de twee knoppen in te drukken en deze buitenwaarts uit de hoofdstofzuiger te trekken. [19]
2. Verwijder het filterpak uit de holte door aan de ring van de uitlaatfilter te trekken. [20]
3. Tiken wasde filtereenheid voorzichtig. Gebruik geen heet water of schoonmaakmiddelen. Verwijder overtollig water van de filter en laat het drogen alvorens te gebruiken. [21,22]
4. Zet het filter pak weer in elkaar zodra het geheel droog is en pas het in de stofzuiger door het weer op zijn plek te zetten en helemaal in te drukken. [20]
5. Vergrendel het uitlaatfilterdeksel door de kant met de klemmen aan te drukken, u hoort een klik als het uitlaatfilter op zijn plaats valt. [19]

**BELANGRIJK:** Gebruik het product niet zonder filterpakket.

**Het schoonmaken van de stofcontainer/ scheidingseenheid**

Deze stofzuiger is uitgerust met een separatie-eenheid dat uniek is bij Hoover. Indien nodig kan de scheidingseenheid losgemaakt worden van het stofreservoir en kan gereinigd worden.

1. Druk op de stofbakontgrendelingsknop en verwijder de stofbak van de stofzuiger. [14]
2. Houd de stofbak vast met één hand en druk met de andere hand op de ontgrendelknop van de stofbakklep om de stofbak te openen. [15]
3. Verwijder de Vortex Finder (rood) van het cycloon lichaam. [16]
4. Verwijder het cycloon lichaam van de stofbak. [17]
5. Gebruik waar nodig een doek om een teveel aan stof van de rode vortex finder en het oppervlak van het cycloon lichaam te verwijderen.
6. Plaats de stofbak onder de kraan. [21] Spoel af met lauwwarm water. Reinig de interne oppervlakken van het reservoir alleen met water. Gebruik GEEN schoonmaakmiddelen om de binnenkant van het reservoir te reinigen.
7. Plaats de interne component opnieuw vast in de stofbak, zorg ervoor dat alle onderdelen droog zijn.
8. Doe de stofbak klep dicht en plaats de stofbak samenstelling opnieuw in de stofzuiger.

**Een verstopping verwijderen**

1. Controleer of het stofreservoir vol is. Zo ja, zie 'Het stofreservoir leegmaken'.
2. Als de stoftank leeg is, maar de afzuiging is nog steeds laag:
  - A. Moeten de filters worden gereinigd? Zo ja, zie 'Wasbare filters reinigen'.
  - B. Controleer of niets het systeem blokkeert. - Gebruik een staaf of stok om eventuele verstoppingen uit de verlengbuis of zuigslang te verwijderen.
  - C. Controleer of de pre-motorfilter is geplaatst.
  - D. Controleer of de scheidingseenheid gereinigd moet worden. Zie 'Reinigen van de scheidingseenheid'.

**De batterij vervangen van de afstandsbediening van de handgreep\* [23]**

Gelieve de batterij te vervangen als de afstandsbedieningen op de handgreep niet reageren bij het indrukken van knoppen:

1. Maak de afstandsbediening los van de handgreep met behulp van een schroevendraaier.
2. Om de batterij te vervangen, duwt u de klem opzij, verwijdert en vervangt u de oude batterijen en brengt u de klem terug aan. Gebruik alleen batterijen van het type lithium CR2032 3V.

**CHECKLIST VOOR DE GEBRUIKER**

Mocht u problemen ondervinden met dit product, loop dan deze eenvoudige checklist na voordat u uw Hoover dealer belt.

- Krijgt de stofzuiger wel stroom? Controleer dit met een ander elektrisch toestel.
- Is de stofzak overvol? Zie 'Onderhoud stofzuiger'.
- Is de filter verstopt? Zie 'Onderhoud stofzuiger'.
- Is de slang of de zuigmond geblokkeerd? Zie 'Verstoppingen uit het systeem verwijderen'.
- Is de stofzuiger oververhit? Zo ja, dan duurt het ongeveer dertig minuten voordat het toestel weer gebruiksklaar is.
- Reageert de afstandbediening op de handgreep niet? Gelieve 'De batterij vervangen van de afstandsbediening van de handgreep' te raadplegen.

**BELANGRIJKE INFORMATIE****Originale reserveonderdelen en toebehoren van Hoover**

Gebruik uitsluitend originele reserveonderdelen van Hoover. Deze zijn verkrijgbaar bij uw Hoover dealer. Als u onderdelen bestelt, vermeld dan altijd het modelnummer.

**Hoover Service**

Mocht u gebruik willen maken van de service, neem dan contact op met uw Hoover dealer.

**Kwaliteit**

BSI ISO 9001: De fabrieken van Hoover zijn op onafhankelijke wijze getest op kwaliteit. Onze producten worden vervaardigd aan de hand van een kwaliteitssysteem dat voldoet aan de vereisten van ISO 9001.

**Uw garantie**

De garantievoorwaarden voor dit toestel worden bepaald door onze vertegenwoordiger in het land waar het toestel wordt verkocht. Details omtrent deze voorwaarden zijn verkrijgbaar bij de dealer waar u het toestel hebt gekocht. Wanneer u aanspraak wilt maken op deze garantie, dan moet u het verkoop- of ontvangstbewijs voorleggen. Wijzigingen zijn zonder voorafgaande kennisgeving mogelijk.

## INSTRUÇÕES PARA UMA UTILIZAÇÃO SEGURA

Este aparelho só deve ser utilizado para limpeza doméstica, conforme descrito neste guia do utilizador. Certifique-se de que este manual é totalmente compreendido antes de utilizar o aparelho.

Não deixe o aparelho ligado. Desligue sempre o aparelho e retire a ficha da tomada após a utilização ou antes de o limpar ou executar qualquer tarefa de manutenção.

Este aparelho pode ser utilizado por crianças com idade igual ou superior a 8 anos e por pessoas com capacidades mentais, sensoriais e físicas reduzidas ou sem experiência e conhecimento caso lhes sejam fornecidas instruções e supervisão relativas à utilização do aparelho de modo seguro e caso compreendam os perigos envolvidos. As crianças não devem brincar com o aparelho.

A limpeza e a manutenção não devem ser efectuada por crianças sem supervisão.

Se o cabo de alimentação estiver danificado deixe de utilizar o aparelho imediatamente. Para evitar um perigo para a segurança, deve ser um técnico de assistência Hoover a substituir o cabo de alimentação.

Mantenha as mãos, os pés, as roupas largas e o cabelo longe das escovas rotativas.

Utilize exclusivamente acessórios, peças sobressalentes ou consumíveis recomendados ou fornecidos pela HOOVER.

**Electricidade estática:** Algumas alcatifas podem provocar uma pequena acumulação de electricidade estática. A descarga de electricidade estática não constitui qualquer perigo para a saúde.

Não utilize o aparelho no exterior, em superfícies húmidas ou para aspirar líquidos.

Não aspire objectos duros ou afiados, fósforos, cinzas quentes, pontas de cigarro ou outros itens semelhantes.

Não pulverize nem aspire líquidos inflamáveis, líquidos de limpeza, aerossóis ou respectivos vapores.

Não passe por cima do cabo de alimentação ao utilizar o aspirador nem retire a ficha puxando pelo cabo de alimentação.

Não continue a utilizar o aparelho se este parecer defeituoso.

Não permaneça em cima do cabo de alimentação nem o

enrole à volta das pernas ou braços ao utilizar o aparelho.

Não utilize o aparelho para limpar pessoas ou animais.

Não posicione o aparelho num nível superior aquele em que se encontra ao limpar escadas.

**Mantenha as pilhas longe do alcance das crianças.**

**Se uma pilha for engolida, consulte um médico imediatamente.**

As pilhas gastas devem ser retiradas do aparelho e eliminadas em segurança.

Se pretender armazenar o aparelho sem utilização durante um longo período de tempo, deve retirar as pilhas e armazenar em segurança.

Se for necessário eliminar o aparelho, primeiro retire as baterias.

O aparelho deve ser desligado da fonte de alimentação ao remover a bateria.

Elimine as baterias em segurança.

Utilize apenas pilhas de Lítio CR2032 3V. Tipo não recarregável.

As pilhas devem ser inseridas com a polaridade correta: O polo positivo "+" está na parte superior. **[23]**

As pilhas não recarregáveis não devem ser recarregadas.

Os terminais das pilhas não devem sofrer um curto-circuito.

**Assistência HOOVER:** Para assegurar o funcionamento seguro e eficiente deste aparelho, recomendamos que todas as intervenções de assistência ou reparação sejam efectuadas apenas por um técnico de assistência autorizado da Hoover.

### Ambiente

O símbolo no aparelho indica que este não pode ser tratado como resíduo doméstico. Pelo contrário, deve ser encaminhado para o ponto de recolha aplicável para reciclagem de equipamento eléctrico e electrónico. A eliminação deve ser realizada em conformidade com as leis ambientais locais relativas à eliminação de resíduos. Para obter informações mais detalhadas sobre o tratamento, recuperação e reciclagem deste produto, contacte as autoridades locais, o serviço de eliminação de resíduos domésticos ou a loja onde adquiriu o produto.



### Para Modelos com controlo remoto de alto controlo:

Bandas de frequência	300Mhz ~ 450Mhz
Potência de RF máxima transmitida na banda de frequência	11 dBm

**C** Com o presente, o Candy Hoover Group Srl declara que o aparelho assinalado cumpre os requisitos importantes das Diretivas 2014/53/UE e 2011/65/UE. Para receber uma cópia da declaração de conformidade, entre em contacto com o fabricante em: [www.candy-group.com](http://www.candy-group.com)

#### Para todos os outros Modelos:

**C** Este aparelho encontra-se em conformidade com as Directivas Europeias 2014/35/UE, 2014/30/UE e 2011/65/UE.

CANDY HOOVER GROUP S.r.l. Via Privata Eden Fumagalli, 20861 Brugherio (MB) Italy

## APRESENTAÇÃO DO ASPIRADOR

A. Montagem do depósito de pó	para o pó e ferramenta para móveis*
B. Corpo principal do aspirador	O. Manípulo de conforto avançado com pega suave, Regulador de sucção e acessórios integrados: ferramenta de fissuras, escova para pó e ferramenta para móveis* (Consulte Na)
C. Pedal Ligar/Desligar	P. Manípulo essencial com pega suave, regulador de sucção e ferramenta de fissuras integrado*
D. Ranhura de Arrumação	Q. Tubo Telescópico**
E. Botão de libertação do depósito de pó	Q1. Ligação fixa do tubo telescópico*
F. Pedal de recolha do cabo	Q2. Adaptador do tubo telescópico**
G. Contentor de pó	R. Ligação fixa do bocal de tapetes e piso*
H. Corpo de ciclone	S. Selector de tipo de pavimentos
I. Localizador em espiral ( Rede metálica )	T. Controlo deslizante do bocal para pisos e alcatifas*
J. Tampa do depósito de pó	U. Escova para Pisos e Alcatifas (GP)**
K. Gatilho de desengate da aba do depósito de pó	U1. Escova para alcatifas (CA)**
L. Botão de libertação da tampa do depósito de pó	U2. Escova para pavimentos duros (HF)**
M. Tubo flexível	V. Filtro do pré-motor
N. Controlo remoto do controlador Manípulo com pega suave*	W. Filtro do escape
N1. Botões do regulador de potência variável	X. Bocal para retirar pelos dos animais de dupla ação com mini turbo*
N2. Botão de alimentação em silêncio	Y. Bocal para remover alérgenos de dupla ação com mini turbo*
N3. Botão ligar/desligar	Z. Bocal extra para cuidados com parquet*
N4. Led indicador de bateria do Controlo remoto do manípulo	AA. Bocal para cuidados com parquet*
Na. Acessório integrados no manípulo: ferramenta de fissuras, Escova	AB. Ferramenta comprida 2 em 1 *
	AC. Escova XL para móveis*

\*Apenas em alguns modelos \*\* Pode variar de acordo com o modelo

## MONTAGEM DO ASPIRADOR

Retire todos os componentes da embalagem.

1. Ligue o tubo flexível ao corpo principal do aspirador, certificando-se de que encaixa e fica bem fixo. Para desapertar o tubo flexível: basta pressionar os bloqueios na extremidade do tubo flexível e puxar. [1]
2. Ligue o manípulo do tubo flexível\*\* na extremidade superior do tubo. [2]
3. Ligue a extremidade inferior do tubo ao bocal para pisos e alcatifas\*\* ou aos acessórios, conforme necessário. [3]

## UTILIZAR O SEU ASPIRADOR

1. Extraia o cabo de alimentação e ligue-o na fonte de alimentação. Não puxe o cabo para além do marcador vermelho. [4]
2. Regule o tubo telescópico para o comprimento pretendido movendo o ajustador do tubo telescópico\*\* e suba ou desça o tubo para a posição de limpeza mais confortável. [5]
3. Após ligar a extremidade inferior do tubo telescópico ao bocal para pisos e alcatifas\*\* ou aos acessórios, conforme necessário, pressione o pedal do seletor do tipo de piso no bocal para selecionar o modo de limpeza ideal para o tipo de piso.
  - Pavimentos duros** – Baixar as escovas para proteger o soalho.
  - Alcatifas** – Escovas levantadas para uma limpeza intensa.

### Escova para pisos e alcatifas\*\*: [6]

- **Limpeza de pisos duros:** Pressione o pedal no bocal no modo de Piso duro e ajuste o controlo deslizante no bocal em TODOS OS PISOS. Nesta posição, as escovas, rodas e a lâmina de limpeza são rebaixadas para proteger os pisos duros. [6a]
- **Limpeza padrão de tapetes e alcatifas:** Pressione o pedal no bocal no modo de Alcatifa e ajuste o controlo deslizante no bocal como TODOS OS PISOS. Nesta posição, as escovas e a lâmina de limpeza são levantadas enquanto as rodas são rebaixadas, de modo a permitir um movimento livre em tais superfícies. [6b]
- **Limpeza intensa de carpetes:** Pressione o pedal no bocal no modo de Alcatifa e ajuste o controlo deslizante no bocal como LIMPEZA INTENSA DE CARPETES. Nesta posição, as escovas, rodas e a lâmina de limpeza são levantadas para uma limpeza intensa da sua carpete. [6c]

**ATENÇÃO:** É recomendado evitar possíveis riscos nos pisos de madeira, quando o pedal não está definido no modo de piso duro e o controlo deslizante na limpeza intensa de carpetes.

4. Ligue o aspirador ao pressionar o pedal On/Off na estrutura principal do aspirador [7] ou ao pressionar o botão On/Off no manípulo do tubo flexível\*. [8]
5. Ajuste o nível de potência ao pressionar os botões de controlo de potência variável no manípulo do tubo flexível\*. [9]

### Manípulo do controlador Hi com Definições\*:

- **Ligar/Desligar o aspirador:** Pressione o botão on/off. [8]
- **Regulador de potência variável:** Pressione os botões "+,-" para ajustar a potência. [9]
- **Modo de alimentação em silêncio:** Pressione o botão de alimentação em silêncio para limpar minuciosamente com um nível de ruído reduzido. [10]

### Acessórios integrados no manípulo:

- **Ferramenta de fissuras incorporada :** A extremidade do manípulo do tubo flexível pode ser utilizado como uma ferramenta para fissuras para alcançar espaços mais estreitos.



- **Ferramenta para móveis** : Pressione os trincos de ambos os lados do manípulo e deslize para baixo para desapertar a ferramenta para móveis para limpar superfícies suaves e têxteis (cortinas, estofos). [11]
- **Escova para pó**: Pressione os trincos de ambos os lados do manípulo e deslize para baixo e, em seguida, empurre o deslizador para a extremidade para libertar a escova para o pó incorporada. Ideal para superfícies rígidas (prateleiras, teclados, rodapés). [11]

#### Manípulo de conforto avançado\*:

- **Regulador de Sucção** : Ajuste a potência de sucção ao abrir ou fechar a válvula de ar no manípulo. [12]

#### Acessórios integrados no manípulo :

- **Ferramenta de fissuras incorporada** : A extremidade do manípulo do tubo flexível pode ser utilizado como uma ferramenta para fissuras para alcançar espaços mais estreitos.
- **Ferramenta para móveis** : Pressione os trincos de ambos os lados do manípulo e deslize para baixo para desapertar a ferramenta para móveis para limpar superfícies suaves e têxteis (cortinas, estofos). [11]
- **Escova para pó** : Pressione os bloqueios de ambos os lados e deslize para baixo e, em seguida, empurre o deslizador para a extremidade para libertar a escova para o pó incorporada. Ideal para superfícies rígidas (prateleiras, teclados, rodapés). [11]

#### Manípulo básico\*:

- **Regulador de Sucção** : Ajuste a potência de sucção ao abrir ou fechar a válvula de ar no manípulo. [12]
- **Ferramenta de fissuras incorporada** : A extremidade do manípulo do tubo flexível pode ser utilizado como uma ferramenta para fissuras para alcançar espaços mais estreitos.

Desligue a extremidade em utilização ao pressionar o Pedal On/Off ou o Botão On/Off no manípulo do tubo flexível\*. Retire da tomada e recolha o cabo de alimentação ao pressionar o pedal de recolha do cabo.

#### Secção de Descanso e Arrumação

O tubo pode ser fixado na parte de trás do aspirador para armazenamento ou armazenamento temporário durante a utilização. [13]

## ACESSÓRIOS

Para obter o melhor desempenho e eficiência é recomendada a utilização das escovas correctas para as principais operações de limpeza. As escovas estão indicadas nos diagramas pelas letras **GP**, **HF** ou **CA**.

Uma escova do tipo **GP** pode ser utilizada para limpar alcatifas e pisos duros.

Uma escova do tipo **HF** é adequada para utilização apenas em pisos duros.

Uma escova do tipo **CA** é adequada para utilização apenas em alcatifas

As restantes escovas são acessórios para tarefas de limpeza especializadas e são recomendadas apenas para utilização ocasional.

Todos os acessórios podem ser montados no manípulo da mangueira ou na extremidade do tubo telescópico.

**Bocal para retirar pelos dos animais de dupla ação\*** - Utilize a mini escova turbo em escadas ou para uma limpeza em profundidade de tecidos e outras áreas mais difíceis. Especialmente adequada para a remoção de pêlos de animais. [X]

**Bocal para remover alérgenos de dupla ação\*** - Utilize a mini-escova turbo em escadas

\*Apenas em alguns modelos \*\* Pode variar de acordo com o modelo

ou para a limpeza em profundidade de superfícies têxteis e outras áreas de difícil limpeza, especialmente adequada para a remoção de alérgenos. [Y]

**Bocais para cuidados com parquet e cuidados extra\*** - Para pavimentos de parquet e outros pavimentos delicados. [Z(30cm) , AA(25cm)]

**Ferramenta comprida 2 em 1\*** - Ferramenta para fissuras e escova para o pó - Permite limpar áreas de difícil alcance como prateleiras e cantos altos. [AB]

**Escova XL para móveis\*** - Indicado para limpar superfícies grandes e suaves como sofás, colchões e poltronas. [AC]

**IMPORTANTE:** Não utilize mini escovas turbo em tapetes com franjas, animais e alcatifas com um pêlo com mais de 15 mm de altura. Não mantenha o bocal parado enquanto a escova está em rotação.

## MANUTENÇÃO DO ASPIRADOR

### Esvaziar o depósito de pó

Quando o pó atinge o indicador de nível máximo no depósito de pó, este deve ser esvaziado.

**IMPORTANTE:** Para manter o melhor desempenho, não permita que o pó ultrapasse o nível máximo.

1. Desligue o aspirador com o interruptor principal e retire o cabo de alimentação.
2. Pressione o trinco do depósito de pó e retire o conjunto do depósito do aspirador. [14]
3. Agarre o depósito do pó com uma mão e prima o gatilho de desengate da aba do depósito do pó. [17]
4. Feche a aba do depósito de pó e recolha-a no corpo principal do aspirador. [14]

### Limpar os filtros laváveis

O aspirador contém, filtro de pré-motor e filtro de exaustão. Para manter o desempenho ótimo da limpeza, remova regularmente os filtros e bata-os contra a parte lateral do recipiente de resíduos para libertar a sujidade. Os filtros devem ser lavados em cada 5 despejos do depósito ou quando apresentarem um nível de pó excessivo.

**IMPORTANTE:** Todos os aspiradores sem saco necessitam de limpeza regular do filtro. Se não limpar os seus filtros isto poderá resultar num bloqueio de ar, sobreaquecimento ou falha do produto. Isto poderá tornar a sua garantia inválida.

**IMPORTANTE:** Efectue regularmente a verificação e manutenção dos filtros.

**IMPORTANTE:** Verifique sempre se a unidade do filtro está completamente seca.

#### Para aceder ao filtro:

1. Pressione o trinco do depósito de pó e retire o conjunto do depósito do aspirador. [14]
2. Agarre o depósito do pó com uma mão e com a outra mão prima o botão de libertação da tampa do depósito do pó para abrir a tampa do depósito. [15]
3. Retire o filtro do pré-motor do depósito localizado na tampa do depósito. [18]
4. Bata cuidadosamente e lave o filtro do pré-motor. Não utilize água quente nem detergentes. Remova o excesso de água do filtro e deixe secar completamente antes de usar de novo. [21,22]
5. Volte a montar o filtro do pré-motor na tampa do depósito do pó quando estiver totalmente seca e recolha-o no aspirador.

**IMPORTANTE:** Não utilize o aspirador sem a unidade do filtro colocada.

**Para aceder ao filtro de exaustão:**

1. Desbloqueie a porta do filtro de exaustão ao premir dois botões e puxando para fora do corpo principal do aspirador. [19]
2. Retire o conjunto do filtro arrastando o anel do filtro de exaustão. [20]
3. Bata cuidadosamente e lave a unidade do filtro. Não utilize água quente nem detergentes. Retire o excesso de água do filtro e deixe secar completamente antes de usar. [21,22]
4. Volte a montar o conjunto do filtro assim que estiver completamente seco e reinstale no aspirador introduzindo-o novamente no respetivo local. [20]
5. Bloqueie a tampa do filtro de exaustão ao premir a extremidade que tem as molas. Ouve um clique assim que o filtro de exaustão encaixar. [19]

**IMPORTANTE:** Não utilize o aspirador sem a unidade do filtro colocada.

**Limpar o contentor de pó / a unidade de separação**

Este aspirador utiliza o sistema de separação, único da Hoover. Se necessário, a unidade de separação pode ser desmontada do depósito do pó para ser limpa.

1. Pressione o trinco do depósito de pó e retire o conjunto do depósito do aspirador. [14]
2. Segure o saco do pó com uma mão e com a outra pressione o botão para abrir a tampa do saco do pó para abrir o saco do pó. [15]
3. Retire o localizador em espiral (vermelho) do corpo de ciclone. [16]
4. Retire o corpo de ciclone do depósito de pó. [17]
5. Caso seja necessário, utilize um pano para remover o excesso de pó do localizador em espiral vermelho e da superfície do corpo de ciclone.
6. Coloque o depósito de pó sob a torneira. [21] Enxague com água tépida. Lave as superfícies internas do depósito de pó apenas com água. NÃO utilize detergentes para lavar as peças interiores depósito de pó.
7. Volte a montar o componente interno no depósito de pó garantindo que todos os componentes estão secos.
8. Feche a tampa do depósito de pó e volte a instalar o conjunto do depósito de pó no aspirador.

**Remover uma obstrução**

1. Verifique se o depósito de pó está cheio. Caso esteja, consulte a secção “Esvaziar o depósito de pó”.
2. Se o depósito de pó está vazio mas a aspiração continua fraca:
  - A. Os filtros necessitam de limpeza? Caso necessitem, consulte a secção “Limpar os filtros laváveis”.
  - B. Caso esteja, consulte a secção “Esvaziar o depósito de pó”. - Utilize uma vara ou um pau para remover qualquer obstrução do tubo de extensão ou do tubo flexível.
  - C. Verifique se o filtro anterior ao motor está colocado.
  - D. Verifique se a unidade de separação necessita de ser limpa. Consulte “Limpar a unidade de separação”.

**Substituir a pilha do controlo remoto do manípulo\* [23]**

Se os controlos remotos do manípulo não responderem ao pressionar qualquer botão, mude as pilhas:

1. Utilize a chave de fendas para libertar o controlo remoto do manípulo.
2. Para substituir as pilhas, pressione o clipe, retire as pilhas antigas, substitua-as e volte a

colocar a tampa. Utilize apenas pilhas de Lítio CR2032 3V.

**LISTA DE VERIFICAÇÃO DO UTILIZADOR**

Se tiver algum problema com o aparelho, preencha esta simples lista de verificação do utilizador antes de chamar o serviço de assistência Hoover local.

- O aspirador tem alimentação de corrente? Verifique com outro aparelho eléctrico.
- O saco está cheio? Consulte “Manutenção do Aspirador”.
- O filtro está entupido? Consulte “Manutenção do Aspirador”.
- O tubo flexível ou o bocal estão entupidos? Consulte “Remover uma obstrução do sistema”.
- O aspirador apresenta sobreaquecimento? Em caso afirmativo, a reposição automática ocorrerá passados cerca de 30 minutos.
- O controlo remoto no manípulo não responde? Consulte “Substituir as pilhas do controlo remoto do manípulo”.

**INFORMAÇÕES IMPORTANTES****Peças sobressalentes e consumíveis Hoover**

Substitua sempre as peças por peças sobressalentes Hoover genuínas. Pode obtê-las junto do seu representante local ou directamente da Hoover. Quando encomendar peças, mencione sempre o número do seu modelo.

**Assistência Hoover**

Se necessitar de assistência a qualquer altura, queira contactar o seu serviço de assistência Hoover local.

**Qualidade**

BSI ISO 9001: A qualidade das instalações industriais da Hoover foi avaliada de forma independente. Os nossos produtos são fabricados de acordo com um sistema de qualidade que satisfaz os requisitos da norma ISO 9001.

**Garantia**

As condições de garantia para este aparelho são as definidas pelo nosso representante no país onde foi vendido. Pode obter detalhes sobre estas condições junto do agente a quem adquiriu o aparelho. A factura de venda ou o recibo deverão ser entregues quando apresentar uma reclamação ao abrigo dos termos da garantia. Sujeito a alteração sem aviso prévio.

### INSTRUCCIONES PARA UN USO SEGURO

Este aparato solo debe utilizarse para la limpieza doméstica habitual, como se describe en este manual de usuario. Asegúrese de haber comprendido todo el contenido de este manual antes de poner en funcionamiento el aparato.

No deje enchufado el aparato. Apague y desenchufe siempre el aparato antes de limpiarlo o de realizar cualquier labor de mantenimiento.

Este aparato puede ser usado por niños de 8 años en adelante y personas con capacidades físicas, sensoriales o mentales reducidas o falta de experiencia y conocimiento bajo supervisión y con una explicación de las instrucciones con respecto al uso del aparato de manera segura y que comprendan los riesgos implicados. Los niños no deben jugar con el aparato.

Los niños no deben limpiar ni dar mantenimiento sin supervisión.

Si el cable de alimentación está dañado, deje de utilizar el aparato inmediatamente. Para evitar peligros de seguridad, solo profesionales del Servicio Técnico de Hoover deben reemplazar el cable de alimentación.

Mantener lejos de los cepillos rotatorios pies, manos, ropa suelta y cabellos.

Utilizar únicamente accesorios, consumibles o recambios recomendados o suministrados por HOOVER.

**Electricidad estática:** Algunas alfombras pueden provocar una pequeña acumulación de electricidad estática. Las descargas estáticas no son peligrosas para la salud.

No utilice el aparato al aire libre, en superficies húmedas o para recoger líquidos.

No aspire objetos duros o afilados, cerillas, cenizas calientes, colillas de cigarrillo u objetos similares.

No rocíe, ni aspire líquidos inflamables, aerosoles para limpiar o sus vapores.

No pase por encima del cable de alimentación cuando utilice el aparato ni lo desenchufe tirando del cable.

No siga utilizando el aparato si parece tener algún defecto.

No pise el cable, ni lo enrolle en los brazos ni piernas al utilizar

el aparato.  
No utilice el aparato en personas ni animales.

No sitúe el aparato por encima de usted cuando esté limpiando las escaleras.

**Mantenga las baterías fuera del alcance de los niños. En caso de ingestión de una batería consulte inmediatamente a un médico.**

Las baterías agotadas deben extraerse del electrodoméstico y eliminarse de manera segura.

Si el aparato no se utiliza durante un periodo prolongado, extraiga las baterías y guárdelas de manera segura.

Si se debe desechar el aparato, primero es necesario extraer la batería.

Cuando extraiga la batería, el electrodoméstico debe estar desconectado de la red eléctrica.

Elimine la batería de manera segura.

Use sólo baterías de litio tipo CR2032 3V. No recargables.

Introduzca las baterías según la polaridad correcta. El polo “+” se encuentra en el lado superior. [23]

Las baterías no recargables no deben ser recargadas.

No debe haber un cortocircuito en los terminales de la batería.

**Servicio Técnico HOOVER:** Para garantizar el funcionamiento seguro y eficaz del aparato, recomendamos que las tareas de mantenimiento y reparación sean realizadas exclusivamente por profesionales autorizados del Servicio Técnico de Hoover.

**El Medio Ambiente:**

El símbolo que puede verse en el producto indica que este no puede tratarse como residuo doméstico. En su lugar, se debe entregar en un punto de recogida de electrodomésticos para el reciclaje de equipos eléctricos y electrónicos. La eliminación debe llevarse a cabo según los reglamentos medioambientales locales sobre eliminación de residuos. Para información más detallada sobre el tratamiento, la recuperación y el reciclaje de este aparato, ponte en contacto con tu Ayuntamiento, el servicio de recogida de residuos domésticos o con el establecimiento donde hayas comprado el producto.



**Para modelos con mando a distancia del Hi-Controller:**

Bandas de frecuencias	300Mhz ~ 450Mhz
Potencia máxima de radiofrecuencia transmitida en la banda de frecuencias	11 dBm

**C** Mediante el presente, Candy Hoover Group Srl declara que este electrodoméstico que tiene el marcado cumple con los requisitos esenciales de las Directivas 2014/53/EU y 2011/65/EU. Si desea recibir una copia de la declaración de conformidad, contacte con el fabricante en: [www.candy-group.com](http://www.candy-group.com)

**Para todos los demás modelos:**

**C** Esta aparato cumple con las Directivas europeas 2014/35/EU, 2014/30/EU y 2011/65/EU.

CANDY HOOVER GROUP S.r.l. Via Privata Eden Fumagalli, 20861 Brugherio (MB) Italy

## INFORMACIÓN SOBRE EL ASPIRADOR

- |   |   |
|---|---|
| A. Grupo recolector de polvo  | para polvo y accesorio para muebles*  |
| B. Cuerpo principal del aparato                                       | O. Asa sumamente cómoda con agarre suave, regulador de succión y accesorios integrados:     |
| C. Pedal de encendido/apagado   | regulador de succión y accesorios integrados:   |
| D. Parking  | accesorio para rincones, cepillo para polvo, accesorio para muebles* (Véase <b>Na</b> )     |
| E. Botón de liberación del recolector de polvo                        | P. Asa esencial con agarre suave, regulador de succión y accesorio para rincones integrado* |
| F. Pedal recogecable  | Q. Tubo telescópico**   |
| G. Recolector de Polvo  | Q1. Conexión segura del tubo telescópico**  |
| H. Cuerpo ciclón  | Q2. Regulador del tubo telescópico**  |
| I. Conducto de salida ( Rojo metalizado )                             | R. Conexión segura de la tobera para alfombras y suelos*                                    |
| J. Tapa del recolector de polvo                                       | S. Selector de tipo de pisos  |
| K. Gatillo de liberación de la aleta del recolector de polvo          | T. Tobera deslizante para alfombras y suelos*   |
| L. Botón de liberación de la tapa del recolector de polvo             | U. Cepillo para alfombras y suelos ( <b>GP</b> )**  |
| M. Manguera   | U1. Tobera para alfombras ( <b>CA</b> )**   |
| N. Mando a distancia del asa del Hi-Controller con agarre suave*      | U2. Tobera para suelos duros ( <b>HF</b> )**  |
| N1. Botones de control de potencia variable                           | V. Filtro Pre-motor:  |
| N2. Botón de potencia silenciosa                                      | W. Filtro de Descarga   |
| N3. Botón de encendido/apagado  | X. Tobera Miniturbo de doble acción para el pelo de los animales*                           |
| N4. Indicador de baterías led del mando a distancia del asa           | Y. Tobera Miniturbo de doble acción para la eliminación de alérgenos*                       |
| Na. Accesorios integrados en el asa: accesorio para rincones, cepillo | Z. Tobera para el cuidado especial del parquet*   |
|   | AA. Tobera para el cuidado del parquet*   |
|   | AB. Accesorio largo 2 en 1 *  |
|   | AC. Cepillo XL para limpieza de muebles*  |

\*Sólo para algunos modelos \*\* Puede variar en base al modelo

## MONTAJE DEL ASPIRADOR

Saque todas las piezas del embalaje.

1. Conecte la manguera a la estructura central del aspirador, asegurándose de que quede encajado y bien sujeto en su sitio. Para liberar la manguera: presione las dos pestañas situadas en el extremo de la manguera y tire. [1]
2. Conecte el asa\*\* de la manguera al extremo superior del tubo [2]
3. Conecte el extremo inferior del tubo con la tobera para suelos y alfombras\*\* o, de ser necesario, con los accesorios. [3]

## USO DEL ASPIRADOR

1. Extraer el cable de conexión y enchufarlo a la red. No debe continuar tirando cuando llegue a la marca roja. [4]
2. Ajuste el tubo telescópico a la altura deseada desplazando el regulador del tubo telescópico\*\* y levantando o bajando el tubo hasta encontrar la posición de limpieza más cómoda. [5]
3. Después de conectar el extremo inferior del tubo telescópico con la tobera para suelos y alfombras \*\* o con los accesorios si fuera necesario, presione el pedal selector\* del tipo de suelo ubicado en la tobera para seleccionar el modo de limpieza ideal para el tipo de suelo.

**Suelos duros** – Los cepillos bajan para proteger el suelo.

**Alfombra** – Los cepillos se elevan para una limpieza profunda.

**Tobera de alfombra y suelo\*\*:** [6]

- **Limpieza de suelos duros:** Presione el pedal de la tobera, póngalo en modo Suelos Duros y ajuste el control deslizante de la tobera colocándolo en TODOS LOS SUELOS. En esta posición los cepillos, las ruedas y la rasqueta se bajan para proteger los suelos duros. [6a]

- **Limpieza de alfombras y tapetes estándar:** Presione el pedal de la tobera, póngalo en modo Alfombra y regule el control deslizante de la tobera colocándolo en TODOS LOS SUELOS. En esta posición, los cepillos y la rasqueta se levantan, mientras que las ruedas se bajan para permitir una perfecta facilidad de movimiento en dichas superficies. [6b]

- **Limpieza profunda de alfombras:** Presione el pedal de la tobera, colóquelo en modo Alfombra y regule colocando el control deslizante de la tobera en LIMPIEZA PROFUNDA DE LAS ALFOMBRAS. En esta posición los cepillos, las ruedas y la rasqueta se levantan para una limpieza profunda de la alfombra. [6c]

**ADVERTENCIA:** Para evitar que se puedan rayar los suelos de madera se recomienda que el pedal no se encuentre en modo suelos duros y el control deslizante en limpieza profunda de las alfombras.

4. Encienda el aspirador pulsando el pedal de encendido/apagado que está en el cuerpo principal del aparato [7] o pulsando el botón de encendido/apagado que está en el asa\* de la manguera. [8]
5. Ajuste el nivel de potencia presionando los botones de control de potencia variable ubicados en el asa\* de la manguera. [9]

**Asa del Hi-Controller con configuración\*:**

- **Encienda/apague el aspirador:** Pulse el botón de encendido/apagado. [8]
- **Control de potencia variable:** Pulse los botones “+,” para regular la potencia. [9]
- **Modo de potencia silenciosa:** Pulse el botón de potencia silenciosa para limpiar minuciosamente con un nivel de ruido reducido. [10]

**Accesorios integrados en el asa:**

- **Accesorio para rincones incorporado :** El extremo del asa de la manguera se

- puede utilizar como accesorio para rincones para alcanzar espacios estrechos.
- **Accesorio para muebles** : Presione las pestañas a cada lado del asa y deslice hacia abajo para liberar el accesorio para muebles para limpiar superficies suaves y tejidos (cortinas, tapicería). [11]
  - **Cepillo**: Presione las pestañas a cada lado del asa y deslice hacia abajo luego empuje el control deslizante hasta el final para liberar el cepillo para polvo incorporado. Ideal para superficies duras (estantes, teclados, zócalos). [11]

#### Asa Advanced Comfort\*:

- **Regulador de succión** : Regule la potencia de succión abriendo o cerrando la válvula de aire que está en el asa. [12]

#### Accesorios integrados en el asa :

- **Accesorio para rincones incorporado** : El extremo del asa de la manguera se puede utilizar como accesorio para rincones para alcanzar espacios estrechos.
- **Accesorio para muebles** : Presione las pestañas a cada lado del asa y deslice hacia abajo para liberar el accesorio para muebles para limpiar superficies suaves y tejidos (cortinas, tapicería). [11]
- **Cepillo para polvo** : Presione las pestañas a cada lado del asa y deslice hacia abajo luego empuje el control deslizante hasta el final para liberar el cepillo para polvo incorporado. Ideal para superficies duras (estantes, teclados, zócalos). [11]

#### Asa esencial\*:

- **Regulador de succión** : Regule la potencia de succión abriendo o cerrando la válvula de aire que está en el asa. [12]
- **Accesorio para rincones incorporado** : El extremo del asa de la manguera se puede utilizar como accesorio para rincones para alcanzar espacios estrechos.

Apague el aparato tras su uso pulsando el pedal de encendido/apagado o el botón de encendido/apagado que está en el asa\* de la manguera. Desenchufe y enrolle el cable de alimentación presionando el pedal de enrollado del cable.

#### Sección de estacionamiento y almacenamiento

El tubo puede colocarse en la parte posterior del aspirador para guardarlo o apoyarlo temporalmente durante el uso. [13]

## ACCESORIOS

Para obtener el mejor rendimiento y eficiencia se recomienda utilizar toberas adecuadas para las principales acciones de limpieza. Estas toberas se indican en los diagramas con las letras **GP**, **HF** o **CA**.

Una tobera de tipo **GP** se puede utilizar para limpiar tanto alfombras, como suelos duros.

Una tobera de tipo **HF** es adecuada solo para la limpieza de suelos duros.

Una tobera de tipo **CA** es adecuada solo para la limpieza de alfombras.

Las demás toberas son accesorios para efectuar tareas de limpieza especializadas y se recomiendan solo para un uso ocasional.

Todos los accesorios pueden instalarse en la empuñadura de la manguera o en el extremo del tubo telescópico.

**Tobera de doble acción para el pelo de los animales\*** - Emplee la mini tobera turbo para la limpieza de escaleras o para la limpieza a fondo de tejidos y demás áreas difíciles de limpiar. Particularmente adecuada para eliminar los pelos de los animales domésticos. [X]

**Tobera de doble acción para la eliminación de alérgenos\*** - Emplee la mini tobera turbo para la limpieza de escaleras o para la limpieza a fondo de tejidos y demás áreas difíciles

de limpiar, ideal para eliminar alérgenos. [Y]

**Tobera para el cuidado especial del parquet y tobera para el cuidado del parquet\*** – Para suelos de parquet y demás suelos delicados. [Z(30cm) , AA(25cm)]

**Accesorio largo 2 en1\*** – Accesorio para rincones y cepillo para polvo - Permite limpiar áreas difíciles de alcanzar como estantes y esquinas elevadas. [AB]

**Cepillo XL para limpieza de muebles\*** - Ideal para limpiar superficies amplias y suaves como sofás, colchones y divanes. [AC]

**IMPORTANTE:** No utilice la tobera mini turbo para alfombras que tengan flecos largos, estén hechas de piel animal, ni sean de un espesor superior a 15 mm. No mantener la tobera fija en un sitio mientras esté girando el cepillo.

## MANTENIMIENTO DEL ASPIRADOR

### Vaciado del depósito de suciedad

Vacíe el depósito de suciedad cuando la suciedad acumulada llegue al indicador de nivel máximo.

**IMPORTANTE:** Para que su aspirador mantenga un rendimiento óptimo, no deje que la suciedad acumulada supere el nivel máximo.

1. Apague la aspiradora con el interruptor principal y desconecte el cable de energía.
2. Pulse el botón de desenganche del depósito de suciedad y extraiga el grupo recolector del aspirador. [14]
3. Sostenga el recolector de polvo con una mano y presione el gatillo de liberación de la aleta del recolector de polvo. [17]
4. Cierre la aleta del recolector de polvo y encaje nuevamente en el cuerpo principal de la aspiradora. [14]

### Limpieza de los filtros lavables

El aspirador está dotado de filtro pre-motor y filtros de salida. Para mantener prestaciones de limpieza excelentes, extraiga los filtros con regularidad y golpee suavemente contra el borde del contenedor de basura para desprender el polvo. Los filtros deben lavarse después de haber sido vaciados 5 veces o cuando el filtro acumule una cantidad excesiva de suciedad.

**IMPORTANTE:** Todos los aspiradores sin bolsa requieren una limpieza regular de los filtros. De no hacerlo, sus filtros pueden producir bloqueos de aire, recalentamiento y fallos en el producto; lo cual además puede hacer invalidar la garantía.

**IMPORTANTE:** Compruebe los filtros con regularidad y manténgalos en buen estado.

**IMPORTANTE:** Cerciórese siempre de que el paquete de filtros esté completamente seco antes de utilizarlo de nuevo.

### Para acceder al filtro:

1. Pulse el botón de desenganche del depósito de suciedad y extraiga el grupo recolector del aspirador. [14]
2. Sostenga el recolector de polvo con una mano y con la otra pulse el botón de liberación de la tapa del recolector de polvo para abrir la tapa. [15]
3. Extraiga el filtro pre-motor ubicado en la tapa del recolector. [18]
4. Golpee suavemente y lave el filtro pre-motor. No usar agua hirviendo o detergentes. Eliminar el exceso de agua del filtro y dejar que se seque completamente antes de usarlo nuevamente. [21,22]
5. Cuando se haya secado por completo, vuelva a montar el filtro pre-motor en la tapa del recolector de polvo y encaje nuevamente en la aspiradora.

**IMPORTANTE:** No utilice el aparato si el paquete de filtros no está instalado.

sustitúyalas y vuelva a encajar el clip. . Use sólo baterías de litio tipo CR2032 3V.

#### Para acceder al filtro:

1. Desenganche la portezuela del filtro de descarga pulsando dos botones y tirando hacia la parte exterior de la estructura central del aspirador. [19]
2. Extraiga el paquete de filtros del alojamiento tirando la anilla de abertura del filtro de descarga. [20]
3. Sacuda suavemente y lave la unidad de filtraje. No usar agua hirviendo o detergentes. Elimine el exceso de agua del filtro y deje secar por completo antes del uso. [21,22]
4. Cuando se haya secado por completo, monte nuevamente el paquete de filtros y vuelva a encajarlo en la aspiradora introduciéndolo de nuevo en el alojamiento y empujándolo hasta el fondo. [20]
5. Enganche la tapa del filtro de descarga presionando el borde que tiene las grapas, se oirá un clic una vez que la portezuela del filtro de descarga encaje en su lugar. [19]

**IMPORTANTE:** No utilice el aparato si el paquete de filtros no está instalado.

#### Limpeza del contenedor de polvo / unidad de separación

Este equipo usa un sistema de separación exclusivo de Hoover. Si es necesario, la unidad se puede desmontar del contenedor recolector de polvo para ser limpiada.

1. Pulse el botón de desenganche del depósito de suciedad y extraiga el grupo recolector del aspirador. [14]
2. Sostenga el recolector de polvo con una mano y con la otra pulse el botón de liberación de la tapa del recolector de polvo para abrir dicho recolector. [15]
3. Extraiga el conducto de salida (rojo) del cuerpo ciclón. [16]
4. Extraiga el cuerpo ciclón del recolector de polvo. [17]
5. De ser necesario, utilice un paño para quitar el polvo excesivo del conducto de salida rojo y la superficie del cuerpo ciclón.
6. Ponga el recolector de polvo debajo del grifo. [21] Enjuagar con agua tibia. Lavar las superficies internas del contenedor solo con agua. NO usar detergentes a base de jabón para lavar las partes internas del contenedor.
7. Vuelva a montar los componentes internos en el recolector de polvo, asegurándose de que todos los componentes estén secos.
8. Cierre la tapa del recolector de polvo y vuelva a encajar el grupo recolector de polvo en la aspiradora.

#### Eliminación de obstrucciones

1. Compruebe si el depósito de suciedad está lleno. En caso afirmativo, consulte el apartado "Vaciado del depósito de suciedad".
2. Si el depósito está vacío y la potencia de aspirado es aún baja:
  - A. ¿Cabe la posibilidad de que sea preciso limpiar los filtros? En caso afirmativo, consulte el apartado "Limpeza de los filtros lavables".
  - B. Compruebe si existe alguna otra obstrucción en el sistema - Utilice una varilla o una barra para eliminar cualquier obstrucción del tubo de extensión o de la manguera flexible.
  - C. Comprobar que el filtro pre-motor se encuentre instalado.
  - D. Comprobar si es necesario limpiar la unidad multiciclónica. Ver "Limpeza de la unidad ciclón"

#### Sustitución de la batería del mando a distancia del asa\* [23]

Si los mandos a distancia que están en el asa no responden al pulsar cualquier botón, cambie las baterías:

1. Use un destornillador para liberar el mando a distancia del asa.
2. Para sustituir la batería, empuje hacia un lado el clip, extraiga las viejas baterías,

### LISTA DE COMPROBACIÓN PARA EL USUARIO

Si surgiera algún problema con el producto, lleve a cabo las sencillas comprobaciones que se enumeran a continuación antes de llamar a su Servicio Técnico Hoover más cercano.

- ¿Hay suministro de corriente para el aspirador? Pruebe con otro aparato eléctrico.
- ¿El contenedor del polvo está demasiado lleno? Remítase al capítulo "Mantenimiento del Aspirador".
- ¿Está obstruido el filtro? Remítase al capítulo "Mantenimiento del Aspirador".
- ¿Está obstruida la manguera o la tobera? Consulte "Eliminación de una obstrucción en el sistema".
- ¿Se ha recalentado el aspirador? En caso afirmativo, tardará aproximadamente 30 minutos en reiniciarse automáticamente.
- ¿El mando a distancia que está en el asa no responde? Véase "Sustitución de la batería del mando a distancia del asa".

### INFORMACIÓN IMPORTANTE

#### Piezas de repuesto y consumibles Hoover

Utilice siempre piezas de repuesto originales de Hoover. Puede adquirirlas a través de su Servicio Técnico de Hoover. Cuando realice pedidos de piezas, indique siempre el número de modelo que posee.

#### Servicio técnico Hoover

Si en cualquier momento necesitara efectuar reparaciones, diríjase al servicio técnico de Hoover más próximo a su hogar.

#### Calidad

BSI ISO 9001: Las fábricas de Hoover han sido sometidas a inspecciones de calidad independientes. Nuestros productos se fabrican de conformidad con un sistema de calidad que cumple los requisitos de la norma ISO 9001.

#### Su garantía

Las condiciones de garantía para este aparato vienen definidas por nuestro representante en el país de venta. Puede obtener los detalles acerca de estas condiciones en el establecimiento donde haya comprado este aparato. Debe mostrarse la factura de compra o el recibo al hacer alguna reclamación en virtud de las condiciones de garantía. Sujeto a cambios sin previo aviso.

## INSTRUKTIONER FOR SIKKER ANVENDELSE

Denne støvsuger må kun anvendes til almindelig husholdningsrengøring, som beskrevet i brugsanvisningen. Du bør sikre dig, at du har forstået indholdet af denne brugervejledning fuldt ud, inden apparatet tages i brug.

Efterlad ikke støvsugeren tilsluttet. Inden du rengør eller foretager vedligeholdelse af støvsugeren, skal du altid slukke for den og tage stikket ud af stikkontakten.

Dette udstyr kan anvendes af børn, der er 8 år gamle og derover, og af personer med nedsatte fysiske, sensoriske eller mentale evner eller manglende erfaring og viden, hvis de er under opsyn eller vejledning i at bruge udstyret på en sikker måde og forstår de risici, der er involveret. Børn må ikke lege med udstyret.

Rengøring og vedligeholdelse må ikke udføres af børn uden en voksen tilstede.

Hvis netledningen er ødelagt, skal du stoppe med at bruge støvsugeren øjeblikkeligt. For at undgå en sikkerhedsrisiko, skal en autoriseret HOOVER servicetekniker udskifte strømkablet.

Hold hænder, fødder, løstsiddende tøj og hår væk fra roterende børster.

Brug kun tilbehør, forbrugsvarer eller reservedele, som anbefalet eller leveret af Hoover.

**Statisk elektricitet:** Visse tæpper kan forårsage en mindre akkumulering af statisk elektricitet. Udledning af statisk elektricitet er ikke sundhedsfarligt.

Brug ikke støvsugeren udendørs eller på våde overflader eller til opugning af væsker.

Undlad at opsuge hårde eller skarpe genstande, tændstikker, varm aske, cigaretstumper eller andre lignende genstande.

Undlad at sprøjte med eller opsuge brændbare væsker, rensesvæsker, spraydåser eller spray fra disse.

Undlad at køre over strømkablet når du bruger din støvsuger og undlad at trække stikket ud ved at trække i strømkablet, men hold fast i stikket.

Lad være med at fortsætte at bruge støvsugeren, hvis den ser ud til at være defekt.

Snur hverken ledningen om arme eller ben eller stå på den, mens du bruger støvsugeren.

Undlad at bruge apparatet på at rengøre mennesker eller dyr. Undlad at lade støvsugeren stå oven for dig, når du rengør trapper.

**Hold batterierne uden for børns rækkevidde.**

**Hvis der forekommer lækager fra batteriet, skal du kontakte lægen.**

brugt batterier skal tages ud af apparatet og bortskaffes sikkert.

Hvis apparatet skal opbevares ubrugt i en længere periode, skal batterierne fjernes og opbevares sikkert.

Hvis dit apparat skal kasseres, skal batterierne fjernes inden. Apparatet skal abydes fra lysnettet når batteriet fjernes.

Bortskaf batterierne på en sikker måde.

Brug kun batterier af typen Litium CR2032 3V. Ikke-genopladelig type.

Batterierne skal sættes i med den korrekte polaritet: den positive pol "+" øverst. **[23]**

Ikke-genopladelige batterier må ikke genoplades.

Batteriets klemskruer må ikke kortsluttes.

**HOOVER-SERVICE:** For at sikre løbende sikker og effektiv drift af dette apparat anbefaler vi, at eftersyn eller reparationer udelukkende udføres af en autoriseret Hoover-servicetekniker.

### Miljøet

Symbolet på produktet angiver, at produktet ikke må behandles som husholdningsaffald. Det skal i stedet afleveres til en relevant affaldsstation for genbrug af elektrisk og elektronisk udstyr. Bortskaffelse skal ske i overensstemmelse med de lokale miljøregler vedrørende bortskaffelse af affald. For mere detaljeret information om behandling, genvinding og genbrug af dette produkt, henvend dig da til den lokale kommune, til dit affaldsselskab eller den forretning hvor du købte produktet.



### For modeller med fjernstyret Hi-Controller-betjening:

Frekvensbånd	300Mhz ~ 450Mhz
Maksimal RF strøm i frekvensbåndet	11 dBm

**C** Med dette erklærer Candy Hoover Group Srl, at apparatet er afmærket og i overensstemmelse med de væsentlige krav i direktiverne 2014/53/EU og 2011/65/EU. Kontakt venligst producenten for en kopi af overensstemmelseserklæringen: www.candy-group.com

#### For alle andre modeller:

**C** Dette apparat overholder bestemmelserne is EU Direktiverne 2014/35/EU, 2014/30/EU og 2011/65/EU.

CANDY HOOVER GROUP S.r.l. Via Privata Eden Fumagalli, 20861 Brugherio (MB) Italy

## LÆR DIN STØVSUGER AT KENDE

- |   |   |
|---|---|
| A. Støvbeholder-delen   | og indbygget tilbehør: fugemundstykke,        |
| B. Støvsugerens hoveddel  | støvbørste og møbelmundstykke* (Se Na)        |
| C. Tænd/sluk-pedalknap  | P. Essentielt greb med blødt greb, sugekon-   |
| D. Parkeringslås  | trol og indbygget fugemundstykke*             |
| E. Støvbeholderens udløserknap  | Q. Teleskoprør**                              |
| F. Pedalknap til ledningsoprulning  | Q1.Sikker tilslutning af teleskopisk rør*     |
| G. Støvbeholder   | Q2.Reguleringsanordning til teleskoprør**     |
| H. Cyklondelen  | R. Sikker tilslutning af tæppe-               |
| I. Hvirvelfinder ( Metallisk rød )  | og gulvmundstykke*                            |
| J. Låg til støvbeholder   | S. Gulvtypevælger                             |
| K. Klapudløser til støvbeholder   | T. Glider til tæppe- og gulvmundstykke*       |
| L. Udløserknap til støvbeholderens låg  | U. Tæppe- og gulvmundstykke (GP)**            |
| M. Slange   | U1.Tæppemundstykke (CA)**                     |
| N. Fjernstyret Hi-Controller med blødt greb*                                    | U2.Mundstykke til hårde gulve (HF)**          |
| N1.Styreknapper til variabel effekt   | V. Præ-Motor Filter                           |
| N2.Knap til lydløs tilstand   | W. Udsugningsfilter                           |
| N3.Tænd/sluk-knap   | X. Mini-turbomundstykke med                   |
| N4.Led-batteri indikator for grebets fjernstyring                               | dobbelt virkning til dyrehår*                 |
| Na.Indbygget tilbehør på grebet: fugemundstykke, støvbørste og møbelmundstykke* | Y. Mini-turbomundstykke med dobbelt           |
| O. Greb med avanceret komfort og blødt greb, sugekontrol                        | virkning til allergener*                      |
|   | Z. Mundstykke til ekstra pleje af parketgulv* |
|   | AA.Mundstykke til parketgulv*                 |
|   | AB.Langt 2i1 mundstykke *                     |
|   | AC.Møbelmundstykke XL*                        |

\*Kun til visse modeller \*\* Kan variere i forhold til model

## MONTERING AF DIN DAMPRENSER

Udtag alle komponenter fra emballagen.

1. Tilslut slangen til støvsugerens hoveddel, og sørg for, at den klikker og låses på plads. For at frigøre slangen: tryk blot på låsene på slangens ende og træk. [1]
2. Tilslut rørgrebet\*\* til røret. [2]
3. Tilslut rørets nederste ende til tæppe- og gulvmundstykket\*\* eller evt. andet tilbehør. [3]

## BRUG AF STØVSUGEREN

1. Træk strømledningen ud, og sæt den i stikkontakten. Træk ikke ledningen længere ud end det røde mærke. [4]
2. Indstil teleskoprøret i den ønskede højde ved at skubbe teleskoprørets justeringsanordning\*\* opad og løfte eller sænke røret til den ønskede rengøringsposition. [5]
3. Efter at det teleskopiske rørs nederste ende er blevet tilsluttet til tæppe- og gulvmundstykket\*\* eller evt. andet tilbehør, trykkes der på gulvtypevælgerpedalen\* for at vælge den ideelle rengøringsfunktion til gulvtypen.  
**Hårdt gulv** – Børsterne sænkes for at beskytte gulvet.  
**Tæppe** – Børsterne løftes for dyb rengøring.

### Tæppe- og gulvmundstykke\*\*:

- **Rengøring af hårde gulve:** Tryk pedalen på mundstykket i indstilling for hårde gulve og justér glideren på mundstykket til ALLE GULVE. I denne stilling sænkes børsterne, hjulene og viskerbladet for at beskytte hårde gulve. [6a]
  - **Standardrengøring af gulvtæpper og løse tæpper:** Tryk pedalen på mundstykket i indstilling for gulvtæpper og justér glideren på mundstykket til ALLE GULVE. I denne stilling løftes børsterne og viskerbladet, mens hjulene sænkes for at give en perfekt bevægelsesfrihed på sådanne overflader. [6b]
  - **Dyb rengøring af gulvtæpper:** Tryk pedalen på mundstykket i indstilling for gulvtæpper og justér glideren på mundstykket til DYB RENGØRING AF GULVTÆPPER. I denne stilling løftes børsterne, hjulene og viskerbladet for en dybere rengøring af dit gulvtæppe. [6c]
- ADVARSEL:** Det anbefales at undgå eventuelle ridser af trægulve, da pedalen ikke er sat i indstillingen for hårde gulve og glideren på dyb rengøring af gulvtæpper.
4. Sluk for apparatet ved at trykke på On/Off-pedalen på apparatets hovedenhed [7] eller på On/Off-knappen på rørgrebet\*. [8]
  5. Justér styrkens niveau ved at trykke på knapperne til styring af variabel styrke på slangens greb\*. [9]

### Hi-Controller greb med indstillinger\*:

- **Sluk/tænd for apparatet:** Tryk på on/off-knappen. [8]
- **Variabel effektstyring:** Tryk på "+, -" knapperne for at justere effekten. [9]
- **Lydløs tilstand:** Tryk på knappen for lydløs tilstand for at gøre grundigt rent med reduceret støjniveau. [10]

### Indbygget tilbehør på grebet:

- **Indbygget fugemundstykke :** Rørgrebets ende kan bruges som et fugemundstykke for at nå smalle steder.



- **Møbelmundstykke** : Tryk på hasperne på begge sider af grebet og tryk nedad for at bruge møbelmundstykket til rengøring af bløde overflader og tekstiler (gardiner, polstringer). [11]
- **Børstemundstykke**: Tryk på hasperne på begge sider af grebet og tryk nedad, tryk derefter glideren til dens endestop for at bruge den indbyggede støvbørste. Ideel til hårde overflader (bograoler, tastaturer, gulvlister). [11]

#### Greb med avanceret komfort\*:

- **Sugekontrol** : Justér sugekontrollen ved at åbne eller lukke luftventilen på grebet. [12]

#### Indbygget tilbehør på grebet :

- **Indbygget fugemundstykke** : Rørgrebets ende kan bruges som et fugemundstykke for at nå smalle steder.
- **Møbelmundstykke** : Tryk på hasperne på begge sider af grebet og tryk nedad for at bruge møbelmundstykket til rengøring af bløde overflader og tekstiler (gardiner, polstringer). [11]
- **Børstemundstykke** : Tryk på hasperne på begge sider af grebet og tryk nedad, tryk derefter glideren til dens endestop for at bruge den indbyggede støvbørste. Ideel til hårde overflader (bograoler, tastaturer, gulvlister). [11]

#### Essentielt greb\*:

- **Sugekontrol** : Justér sugekontrollen ved at åbne eller lukke luftventilen på grebet. [12]
- **Indbygget fugemundstykke** : Rørgrebets ende kan bruges som et fugemundstykke for at nå smalle steder.

Sluk efter brug ved at trykke på tænd/sluk-pedalen eller tænd/sluk-knappen på rørgrebet\*. Træk stikket ud og fold ledningen ved at trykke på pedalen for foldning af ledning.

#### Afsnit om Opbevaring

Røret kan placeres på bagsiden af støvsugeren under opbevaring eller under midlertidigt pause i brugen. [13]

## TILBEHØR

For at opnå den bedste ydeevne og effektive udnyttelse, anbefales det at de korrekte mundstykker anvendes til de vigtigste rengøringsformål. Disse mundstykker er vist i illustrationerne ved bogstaverne **GP**, **HF** og **CA**.

Mundstykketypen **GP** anvendes for at rengøre både tæpper og hårde gulve.

Mundstykketypen **HF** er kun velegnet til brug på hårde gulve.

Et mundstykke af typen **CA** er kun velegnet på tæpper

De andre mundstykker er tilbehør for specielle rengøringsopgaver og er kun anbefalede til lejlighedsvis anvendelse.

Alt tilbehør kan monteres på slangens håndtag eller for enden af teleskoprøret.

**Mini-turbomundstykke med dobbelt virkning til dyrehår\*** - Brug mini-turbomundstykket på trapper eller til rengøring af tekstiloverflader i dybden og andre områder, der er svære at rengøre. Især velegnet til fjernelse af dyrehår. [X]

**Mini-turbomundstykke med dobbelt virkning til allergener\*** – Brug mini-turbomundstykket på trapper eller til grundig rengøring af tekstiloverflader og andre områder, der er svære at rengøre. Velegnet til fjernelse af allergener. [Y]

\*Kun til visse modeller    \*\* Kan variere i forhold til model

**Mundstykker til ekstra pleje af parketgulv og til parketgulv\*** – Til parketgulve og andre sarte gulve. [Z(30cm) , AA(25cm)]

**Langt 2i1 mundstykke\*** – Fugemundstykke og støvbørste - De gør det muligt at rengøre de sværeste steder at nå som bogreoler og høje hjørner. [AB]

**Møbelmundstykke XL\*** - Ideel til rengøring af store og bløde overflader som sofaer og madrasser. [AC]

**VIGTIGT:** Brug ikke turbo- og mini-turbomundstykket på tæpper med lange frynser, skind og på tæppefliser, der er dybere end 15 mm. Hold ikke mundstykket stille, mens børsten roterer.

## VEDLIGEHOLDELSE AF STØVSUGEREN

### Tømning af støvbeholderen

Når støvet når maksimumsindikatoren i beholderen, skal støvbeholderen tømmes.

**VIGTIGT:** For at opnå optimal ydelse må støvet ikke nå højere end til maks.niveaue.

1. Sluk støvsugeren på hovedkontakten og tag ledningen ud.
2. Tryk på støvbeholderens udløserknop og fjern skraldespanden fra støvsugeren. [14]
3. Hold støvbeholderen med en hånd og tryk på udløseren til støvbeholderklappen. [17]
4. Luk støvbeholderklappen og tilpas til støvsugerens hoveddel. [14]

### Rengøring af de vaskbare filtre

Støvsugeren er udstyret med præmotor- og udsugningsfilter. For at opretholde den optimale rengøringsydelse, skal filtrene fjernes og bankes regelmæssigt for at fjerne støvet. Filtrene bør vaskes hver 5. gang beholderen tømmes, eller når filteret er fyldt med støv.

**VIGTIGT:** Alle poseløse støvsuger kræver regelmæssig rensning af filtre. Hvis du ikke renser din filtre, kan det resultere i luftblokering, overophedning og beskadigelse af produktet. Dette kan gøre din garanti ugyldig.

**VIGTIGT:** Kontroller og vedligehold filtrene regelmæssigt.

**VIGTIGT:** Sørg altid for, at filterpakken er helt tør før brug.

### Adgang til filteret:

1. Tryk på støvbeholderens udløserknop og fjern skraldespanden fra støvsugeren. [14]
2. Hold støvbeholderen med en hånd og tryk med den anden på udløserknappen til støvbeholderens låg for at åbne det. [15]
3. Fjern forfilteret placeret på beholderens låg. [18]
4. Bank forsigtigt filteret og vask det. Brug ikke meget varmt vand eller rengøringsmidler. Fjern det overskydende vand fra filteret, og lad det tørre helt, før det genbruges. [21,22]
5. Genindsæt forfilteret i beholderens låg, når det er helt tørt, og klargør støvsugeren.

**VIGTIGT:** Produktet må ikke bruges uden filterpakken monteret.

### Adgang til udblæsningsfilteret:

1. Frigør døren til udblæsningsfilteret ved at presse to knapper og trække udad fra støvsugerens hoveddel. [19]
2. Fjern filterpakken fra fordybningen ved at trække i udblæsningsfilterets ring. [20]
3. Bank filteret let og vask filterenheden. Brug ikke meget varmt vand eller rengøringsmidler. Fjern overskydende vand fra filteret og lad den tørre helt før det anvendes igen. [21,22]

4. Genindsæt filterpakken, når den er helt tør, og fastgør den ved at skubbe den helt på plads. [20]
5. Lås dækslet til udblæsningsfilteret ved at trykke på kanten som har tre clips. Du vil høre et klik, når først dækslet til udblæsningsfilteret er kommet på plads. [19]

**VIGTIGT:** Produktet må ikke bruges uden filterpakken monteret.

#### Rengøring af støvbeholderen / separeringsenheden

Denne støvsuger har en separeringsenhed, som kun findes hos Hoover. Hvis det er nødvendigt, kan separeringsenheden afmonteres fra støvbeholderen og rengøres.

1. Tryk på støvbeholderens udløserknop og fjern skraldespanden fra støvsugeren. [14]
2. For at åbne støvbeholderen skal du holde den med den ene hånd og trykke på lågets frigørelsesknop med den anden hånd. [15]
3. Fjern hvirvelfinderen (rød) fra cyklondelen. [16]
4. Fjern cyklondelen fra støvbeholderen. [17]
5. Brug om nødvendigt en klud til at fjerne overskydende støv fra den røde hvirvelfinder og cyklondelens overflade.
6. Hold støvbeholderen ind under vandhanen. [21] Skyl med lunken vand. Vask beholderens indvendige flader med vand. Man må IKKE bruge sæbemidler til afvaskning af filterbeholderens indvendige dele.
7. Saml alle de indvendige dele af støvbeholderen, og sørg for at de er tørre.
8. Luk støvbeholderens låg og genindsæt beholderen i støvsugeren.

#### Fjernelse af en tilstopning

1. Kontroller, om støvbeholderen er fuld. Hvis det er tilfældet, skal du se "Tømning af støvbeholderen".
2. Hvis støvbeholderen er tom, men suget stadig er lavt
  - A. Trænger filtrene til at blive rensede? Hvis det er tilfældet, skal du se "Rensning af de vaskbare filtre".
  - B. Kontrollér, om der er andre tilstopninger i systemet - Brug en stang eller lignende til at fjerne eventuelle tilstopninger fra forlængerrøret eller den bøjelige slange.
  - C. Kontroller, om for-motorfilteret er monteret.
  - D. Kontroller, om separeringsenheden skal renses. Se "Rengøring af separeringsenheden".

#### Udskiftning af batteriet til fjernstyringsgrebet\* [23]

Hvis fjernstyringerne på grebet ikke reagerer ved at trykke på knapperne, skal batteriet skiftes ud:

1. Brug en skruetrækker for at løsne fjernstyringen fra grebet.
2. For at skifte batteriet ud, skal du skubbe klemmen til side og fjerne de gamle batterier, skifte dem ud, og sætte klemmen på igen. Brug kun batterier af typen Litium CR2032 3V.

### BRUGERENS CHECKLISTE

Hvis du får et problem med produktet, skal du udfylde denne enkle brugercheckliste, før du ringer til den lokale Hoover-service.

- Virker strømforsyningen til støvsugeren? Kontroller venligst på et andet elektrisk apparat.
- Er støvbeholderen overfyldt? Se venligst under "Vedligeholdelse af støvsugeren".
- Er filteret tilstoppet? Se venligst under "Vedligeholdelse af støvsugeren".
- Er slangen eller mundstykket tilstoppet? Se "Sådan fjerner du en tilstopning fra systemet".
- Er støvsugeren overophedet? Hvis den er, vil det vare ca. 30 minutter at nulstille automatisk.
- Reagerer fjernstyringen på grebet stadig ikke? Se 'Udskiftning af batteriet til fjernstyringsgreb'.

### VIGTIGE OPLYSNINGER

#### Hoover reservedele og forbrugsstoffer

Udskift altid dele med ægte Hoover reservedele. Disse fås fra Hoovers reservedelsforhandler, check [www.hoover.dk](http://www.hoover.dk) Når du bestiller dele, skal du altid opgive modelnummer.

#### Hoover-service

Hvis du ønsker service på dine produkter, skal du kontakte det lokale Hoover-servicekontor.

#### Kvalitet

BSI ISO 9001: Hoovers fabrikker er blevet vurderet uafhængigt for kvalitet. Vores produkter fremstilles med brug af et kvalitetssystem, der opfylder kravene i henhold til ISO 9001.

#### Din reklamationsret

Garantibetingelserne for dette apparat er som defineret af vores repræsentant i det land, hvor det er solgt. Oplysninger vedrørende disse betingelser kan indhentes hos den forhandler, apparatet er købt hos. Kvitteringen skal fremvises i forbindelse med ethvert krav under disse garantibetingelser.

Ret til ændringer uden varsel forbeholdes

## INSTRUKSJONER FOR SIKKER BRUK

Dette apparatet må kun brukes til husrengjøring, og slik denne bruksanvisningen beskriver. Sørg for at denne veiledningene er forstått fullstendig før du bruker apparatet.

Apparatet må ikke forlates mens det er tilkoblet strømmettet. Slå alltid av apparatet og koble fra støpselet etter bruk samt før apparatet rengjøres eller vedlikeholdes.

Apparatet kan brukes av barn fra 8 år, og av personer med nedsatte fysiske, sanselige eller mentale evner, eller manglende erfaring og kunnskap, dersom de er under oppsyn eller har fått opplæring i sikker bruk av apparatet og forstår farene bruk av apparatet kan medføre. Barn skal ikke leke med apparatet.

Rengjøring og vedlikehold skal ikke utføres av barn uten oppsyn.

Bruken av apparatet må opphøre umiddelbart dersom strømledningen er skadet. Unngå sikkerhetsfarer ved å la en autorisert HOOVER-tekniker skifte ut strømledningen.

Hold hender, føtter, løse klær og hår unna roterende børster. Bruk kun tilbehør, forbruksvarer eller reservedeler som anbefales eller leveres av HOOVER.

**Statisk elektrisitet:** Noen tepper kan forårsake små dannelser av statisk elektrisitet. Utladning av statisk elektrisitet er ikke helseskadelig.

Du må ikke bruke apparatet utendørs, på våte overflater eller til å støvsuge væske.

Du må ikke støvsuge harde eller skarpe objekter, varm aske, sigarettneiper eller andre liknende gjenstander.

Apparatet må ikke utsettes for eller støvsuge opp brennbare væsker, rengjøringsmidler, aerosoler eller damp fra slike væsker.

Unngå å kjøre over ledningen eller trekke ut støpselet under bruk.

All bruk av apparatet må opphøre hvis det viser tegn på feilfunksjon.

Du må ikke stå på ledningen eller la den vikle seg rundt

armene eller bena dine under bruk.

Du må ikke bruke apparatet til å rengjøre dyr eller mennesker. Apparatet må ikke være plassert ovenfor deg under rengjøring av trapper.

**Hold batteriene unna barn.**

**Hvis et batteri svelges, må du straks kontakte en lege.**

Tomme batterier skal fjernes fra apparatet og avhendes på en sikker måte.

Hvis apparatet skal oppbevares ubrukt i lengre tid, skal batteriene tas ut og oppbevares sikkert.

Hvis apparatet skal avhendes, bør batteriene fjernes først.

Apparatet må være frakoblet strømmettet når du fjerner batteriet.

Kast batteriene på en trygg måte.

Bruk kun batteritype litium CR2032 3 V. Ikke-oppladbar type.

Batteriene skal settes inn med riktig polaritet: Den positive polen «+» er på oversiden. [23]

Ikke-oppladbare batterier skal ikke lades.

Batteriterminalene må ikke kortsluttes.

**HOOVER-service:** For å sikre at apparatet fortsetter å fungerer på en trygg og effektiv måte, anbefaler vi at service- og reparasjonsarbeid kun utføres av autoriserte HOVER-teknikere.

### Miljøet

Symbolet på dette apparatet indikerer at det ikke kan betraktes som husholdningsavfall. Ved avhending må apparatet overleveres til en egnet miljøstasjon for resirkulering av elektrisk og elektronisk utstyr. Avhendingen må gjennomføres i samsvar med lokale miljøforskrifter for avfallshåndtering. Du kan få mer detaljert informasjon om avfallsbehandling, gjenvinning og resirkulering av dette apparatet ved å ta kontakt med vårt nærmeste lokalkontor, renovasjonsetaten eller forretningen du kjøpte apparatet hos.



### For modeller med Hi-kontroller med fjernkontroll:

Frekvensbånd	300Mhz ~ 450Mhz
Maksimal RF-effekt som avgis i frekvensbåndet	11 dBm

**CE** Med dette erklærer Candy Hoover Group Srl at dette apparatet samsvarer med vesentlige krav i direktivene 2014/53/EU og 2011/65/EU. Hvis du vil motta en kopi av samsvarserklæringen, kan du kontakte produsenten via [www.candy-group.com](http://www.candy-group.com)

#### For alle andre modeller:

**CE** Dette produktet overholder EU-direktiv 2014/35/EU, 2014/30/EU og 2011/65/EU.  
CANDY HOOVER GROUP S.r.l. Via Privata Eden Fumagalli, 20861 Brugherio (MB) Italy

## BLI KJENT MED STØVSUGEREN DIN

A. Støvbeholderinnretning	med mykt grep, innsugingsregulator
B. Rengjøringsapparatets hoveddel	og integrert tilbehør: Kløftverktøy,
C. På/av-knapp	støvbørste og møbelverktøy* (Se "Na")
D. Parkeringsspor	P. Essensielt håndtak med mykt grep,
E. Utløserknapp for støvbeholder	innsugingsregulator og kløftverktøy*
F. Fotpedal for innrulling av ledning	Q. Teleskoprør**
G. Søppelbøtte	Q1. Teleskoprør med sikker tilkobling*
H. Syklonkroppen	Q2. Teleskoprørjustering**
I. Vortex-finner ( Metallisk rød )	R. Teppe- og gulvdyse med sikker tilkobling*
J. Lokk til støvbeholder	S. Gulvtypevelger
K. Utløserknapp for støvbeholderklaff	T. Glidebryter til munnstykke for teppe og gulv*
L. Utløserknapp for støvbeholderlokk	U. Munnstykke til teppe og gulv (GP)**
M. Slange	U1. Munnstykke for harde gulv (CA)**
N. HI-kontroller med fjernkontrollhåndtak med mykt grep*	U2. Dyse for harde gulv (HF)**
N1. Regulerbar effektstyringsknapper	V. Pre-motor filter
N2. Stille effektknapp	W. Avgassfilter
N3. På/av-knapp	X. Pelsdyse med miniturbo og dobbel virkning*
N4. LED-batteriindikator for håndtakets fjernkontroll	Y. Allergendyse med miniturbo og dobbel virkning*
Na. Integrert tilbehør på håndtaket: Kløftverktøy, støvbørste og møbelverktøy*	Z. Ekstra skånsom dyse for parkett*
O. Avansert komforthåndtak	AA. Skånsom dyse for parkett*
	AB. Langt to-i-ett-verktøy *
	AC. Møbelmunnstykke XL*

\*Bare enkelte modeller \*\* Kan variere avhengig av modell

## SLIK SETTER DU SAMMEN RENGJØRINGSAPPARATET

Fjern alle komponenter fra emballasjen.

1. Koble slangen til støvsugerens hoveddel, og påse at den smetter på plass og låses fast. For å løsne slangen: bare trykk på sperrehakene på slangeenden og trekk. [1]
2. Koble slangehåndtaket\*\* til den øvre slangeenden. [2]
3. Kople rørets nedre endestykke til munnstykket for teppe og gulv " eller tilbehør hvis påkrevd. [3]

## BRUK AV APPARATET

1. Ta ut strømledningen og sett den inn i stikkkontakten. Ikke trekk ledningen utover det røde merket. [4]
2. Juster teleskoprøret til ønsket høyde ved å bevege teleskoprørreguleringen\*\* og heve eller senke røret til det er i en mest mulig komfortabel høyde for støvsuging. [5]
3. Etter å ha koplet teleskopets nedre endestykke til munnstykket for teppe og gulv " eller tilbehør, hvis påkrevd, trykk på gulvets pedal" på munnstykket for å velge gulvets korrekte rengjøringsmodus.  
**Hardt gulv** – Børstene senkes for å beskytte gulvet.  
**Teppe** – Børstene heves for en dypere rengjøring.

### Teppe- og gulvdyse\*\*:

- **Rengjøring av hardt gulv:** Trykk på pedalen på munnstykket for hard gulv-modus og juster glidebryteren på munnstykket til ALLE GULV. I denne posisjonen vil børster, hjul og viskeblad senkes for å beskytte harde gulv. [6a]
- **Standard rengjøring av Tepper & Pledd:** Trykk på munnstykkepedalen for teppemodus og juster glidebryteren til munnstykket for ALLE GULV. I denne posisjonen vil børster og viskerbladet løftes mens hjulene senkes for å lette rengjøringen på disse overflatene. [6b]
- **Dyp tepperens:** Trykk på munnstykets pedal i teppemodus og juster glidebryteren på munnstykket for DYP TEPPERENS. I denne posisjonen vil børster og viskerblad heves for en dypere rens av teppet. [6c]

**ADVARSEL:** For å unngå oppskraping av tregulv er det anbefalt å ikke sette pedalen i hardt gulv - modus og glidebryteren på dyp gulvrens.

4. Slå på rengjøringsapparatet ved å trykke på på/av-knappen på hovedenheten [7] eller ved å trykke på/av-knappen på slangehåndtaket\*. [8]
5. Juster effektnivået ved å trykke på de regulerbare effektstyringsknappene på slangehåndtaket\*. [9]

### HI-kontrollerhåndtak med innstillinger\*:

- **Slå rengjøringsapparatet på/av:** Trykk på på/av-knappen. [8]
- **Regulerbar effektstyring:** Trykk på «+», «-»-knappene for å justere effekten. [9]
- **Stille effektknapp:** Trykk på den stille effektknappen for å rengjøre grundig med redusert støynivå. [10]

### Integrert tilbehør på håndtaket:

- **Innebygget kløftverktøy :** Håndtakenden til slangen kan brukes som kløftverktøy for å komme til på trange steder.
- **Møbelverktøy :** Trykk på sperrehakene på begge sider av håndtaket og skyv ned for å frigjøre møbelverktøyet som du kan bruke til å rengjøre myke overflater og tekstiler

(gardiner, møbeltrekk). [11]

- **Støvbørste:** Trykk på sperrehakene på begge sider av håndtaket og skyv ned, før du skyver glidebryteren til enden for å frigjøre den innebygde støvbørsten. Ideell for harde overflater (bokhyller, tastatur, gulvlister). [11]

#### Avansert komforthåndtak\*:

- **Sugeregulator :** Juster sugekraften ved å åpne eller lukke luftventilen på håndtaket. [12]

#### Integrert tilbehør på håndtaket :

- **Innebygget kløftverktøy :** Håndtakenden til slangen kan brukes som kløftverktøy for å komme til på trange steder.
- **Møbelverktøy :** Trykk på sperrehakene på begge sider av håndtaket og skyv ned for å frigjøre møbelverktøyet som du kan bruke til å rengjøre myke overflater og tekstiler (gardiner, møbeltrekk). [11]
- **støvbørste :** Trykk på sperrehakene på begge sider av håndtaket og skyv ned, før du skyver glidebryteren til enden for å frigjøre den innebygde støvbørsten. Ideell for harde overflater (bokhyller, tastatur, gulvlister). [11]

#### Essensielt håndtak\*:

- **Sugeregulator :** Juster sugekraften ved å åpne eller lukke luftventilen på håndtaket. [12]
- **Innebygget kløftverktøy :** Håndtakenden til slangen kan brukes som kløftverktøy for å komme til på trange steder.

Slå av etter bruk ved å trykke på på/av-pedalen eller på/av-knappen på slangehåndtaket\*. Trekk ut støpselet og rull sammen strømledningen ved å trykke på tilbakespolingspedalen.

#### Avsnitt om parkering og oppbevaring

Røret kan festes på baksiden av støvsugeren når den skal settes bort eller forlates midlertidig under bruk. [13]

## TILBEHØR

For å oppnå optimal ytelse og effektivitet anbefales det at det brukes riktig munnstykke for de største rengjøringsjobbene. Munnstykkene indikeres i diagrammene med bokstavene **GP**, **HF** eller **CA**.

Et **GP**-munnstykke kan brukes til å støvsuge både tepper og harde gulv.

Et **HF**-munnstykke egner seg kun for bruk på harde gulv.

Et **CA**-munnstykke egner seg kun for bruk på tepper.

De andre munnstykkene er tilbehør for spesialiserte rengjøringsjobber. Det anbefales kun å bruke disse til spesialiserte oppgaver.

Alt tilbehør kan monteres på enden av håndtaket eller enden på røret.

**Pelsdyse med dobbel virkning\*** - Bruk miniturbomunnstykket i trapper eller for dyp rengjøring av tekstiler og andre områder som er vanskelige å rengjøre. Er spesielt godt egnet til fjerning av dyrehår. [X]

**Allergendyse med dobbel virkning\*** - Bruk miniturbomunnstykket i trapper eller for dyp rengjøring av tekstiler og andre områder som er vanskelige å rengjøre, spesielt egnet for fjerning av allergener. [Y]

\*Bare enkelte modeller \*\* Kan variere avhengig av modell

**Ekstra skånsom og skånsom dyse for parkett\*** – for parkettgulv og andre ømtålige gulv. [Z(30cm) , AA(25cm)]

**Langt to-i-ett-verktøy\*** – Kløftverktøy og støvbørste - Muliggjør rengjøring av områder som er vanskelige å nå, som bokhyller og høye hjørner. [AB]

**Møbelmunnstykke XL\*** - Ideell til rengjøring av store og myke overflater som sjeselonger, madrasser og sofaer. [AC]

**VIKTIG:** Ikke bruk turbo- og miniturbomunnstykkene på tepper med lange frynser, dyreskinn eller på tepper med en tråddybde på mer enn 15 mm. Ikke la kraftmunnstykket stå stille mens børsten roterer.

## VEDLIKEHOLD AV STØVSUGEREN

### Tømme støvbeholderen

Når støvet når indikatoren for maksimalnivået i beholderen må støvbeholderen tømmes.

**VIKTIG:** For å vedlikeholde optimal ytelse, ikke la støvmengden komme høyere opp enn maksimalnivået.

1. Slå av støvsugeren med hovedbryteren og trekk ut strømkabelen.
2. Trykk på støvbeholderens utløserknapp og ta avfallsbeholderen ut av rengjøringsapparatet. [14]
3. Hold støvbeholderen med den ene hånden og trykk på utløserknappen for støvbeholderklaffen. [17]
4. Lukk støvbeholderklaffen og sett hoveddelen av støvsugeren tilbake på plass. [14]

### Rengjøre de vaskbare filterene

Støvsugeren er montert med pre-motorfilter og utløpsfilter. Du opprettholder optimal rengjøringsytelse ved å fjerne filterene regelmessig, og dunke lett mot avfallsbeholderens sider for å frigjøre støv. Filterene skal vaskes for hver femte tømming av beholderen, eller når filteret har ekstra mye støv.

**VIKTIG:** Alle poseløse rengjøringsmaskiner trenger regelmessig rens av filterene. Manglende rengjøring av filterene kan resultere i tilstopping av luft, overopphetning og produktsvikt. Dette kan gjøre garantien ugyldig.

**VIKTIG:** Jevnlig kontroller og oppretthold filterene.

**VIKTIG:** Påse alltid at filterpakken er fullstendig tørr før bruk.

### Gjør følgende for å få tilgang til filteret:

1. Trykk på støvbeholderens utløserknapp og ta avfallsbeholderen ut av rengjøringsapparatet. [14]
2. Hold støvbeholderen med den ene hånden og trykk på utløserknappen for støvbeholderlokket med den andre hånden. [15]
3. Fjern pre-motor-filteret i beholderlokket. [18]
4. Bank forsiktig på og vask pre-motor-filteret. Ikke bruk for varmt vann eller vaskemidler. Tørk bort overflødig vann fra filteret, og la det tørke helt før du bruker det på nytt. [21,22]
5. Monter pre-motor-filteret til støvbeholderlokket straks det er blitt helt tørt og sett det tilbake på støvsugeren.

**VIKTIG:** Ikke bruk produktet uten montert filterpakke.

### Gjør følgende for å få tilgang til utsugingsfilteret:

1. Lås opp eksosfilterdøren ved å trykke på to knapper og fra den ut fra hoveddelen. [19]
2. Fjern filterpakken fra fordypningen ved å dra i ringen for eksosfilteret. [20]
3. Bank forsiktig og vask filterenheten. Ikke bruk for varmt vann eller vaskemidler. Tørk bort overflødig vann fra filteret, og la det tørke helt før du bruker det. [21,22]
4. Sett sammen filterpakken når den er helt tørr og sett den i støvsugeren ved å sette den tilbake i sin opprinnelige plassering og skyve den helt inn. [20]
5. Lås eksosfilterdekslet ved å trykke på kanten med klipsene. Du hører et klikk når eksosfilterdekslet kommer på plass. [19]

**VIKTIG:** Ikke bruk produktet uten montert filterpakke.

### Rengjøre støvbeholderen / separasjonsenheten

Denne støvsugeren bruker et separasjonssystem som kun brukes av Hoover. Separasjonsenheten kan fjernes fra støvbeholderen og rengjøres.

1. Trykk på støvbeholderens utløserknapp og ta avfallsbeholderen ut av rengjøringsapparatet. [14]
2. Hold støvbeholderen med en hånd og med den andre hånden trykker du på utløserknappen for støvbeholderen for å åpne den. [15]
3. Fjern vortex-finneren (rød) fra sykklonkroppen. [16]
4. Fjern sykklonkroppen fra støvbeholderen. [17]
5. Fjern overdrevent støv fra den røde spilledningen og sykklonkroppens overflate med en klut når det blir nødvendig.
6. Plasser støvbeholderen under kranen. [21] Skyll med lunkent vann. Vask bare med vann på innsiden av støvbeholderen. IKKE BRUK såpe eller rengjøringsmidler til å vaske innsiden av støvbeholderen.
7. Monter den interne komponenten på støvbeholderen, mens du ser til at alle komponenter er tørre.
8. Lukk støvbeholderlokket og monter støvbeholderinnretningen på støvsuger.

### Fjerne en tilstopping

1. Kontroller om støvbeholderen er full. Hvis det er tilfellet, sjekk "Tømme støvbeholderen".
2. Hvis støvbeholderen er tom men sugekraften er dårlig:
  - A. Trenger filteret å bli rensset? Hvis det er tilfellet, sjekk "Rense de vaskbare filterene".
  - B. Kontroller om det finnes andre tilstoppinger i systemet - bruk en stak eller annen lang gjenstand til å fjerne tilstoppingen fra røret eller slangen.
  - C. Kontroller om premotorfilteret er montert.
  - D. Kontroller om separasjonsenheten trenger å rengjøres. Se kapittelet "Rengjør separasjonsenheten".

### Bytt batteriet til håndtakets fjernkontroll\* [23]

Hvis fjernkontrollene på håndtaket ikke svarer når du trykker på knappene, må du bytte batteri:

1. Bruk et skrujern til å frigjøre fjernkontrollen fra håndtaket.
2. For å bytte ut batteriet, skyv bort klemmen, fjern gamle batterier, bytt ut og sett klemmen på igjen. Bruk kun batteritype litium CR2032 3 V.

## SJEKKLISTE FOR BRUKER

Hvis du har problemer med produktet, går du gjennom denne enkle kontrollisten før du ringer ditt lokale Hoover-servicekontor.

- Får støvsugeren tilført strøm? Prøv å koble annet elektrisk utstyr til stikkkontakten.
- Er støvboksen overfylt? Vennligst sjekk "Vedlikehold av Støvsugeren".
- Er filteret blokkert? Vennligst sjekk "Vedlikehold av Støvsugeren".
- Er slangen eller munnstykket blokkert? Vennligst sjekk "Fjerne en blokkering fra systemet".
- Har støvsugeren blitt overopphetet? Hvis det er tilfellet vil det ta omtrent 30 minutter før den blir automatisk nullstilt.
- Svarer ikke fjernkontrollen på håndtaket? Se «Bytte batteriet til håndtakets fjernkontroll».

## VIKTIG INFORMASJON

### Originaldeler fra Hoover

Bruk alltid originale deler fra Hoover. Disse er tilgjengelige fra din lokale Hoover-forhandler eller direkte fra Hoover. Når du bestiller deler, må du alltid oppgi modellnummeret ditt.

### Hoover-service

Hvis du på noe tidspunkt skulle trenge service, ber vi deg kontakte ditt lokale Hoover-servicekontor.

### Kvalitet

BSI ISO 9001: Hoovers fabrikker har blitt uavhengig kvalitetsvurdert. Våre produkter produseres ved å bruke et kvalitetssystem som er i samsvar med ISO 9001.

### Din garanti

Garantibetingelsene for dette apparatet er som definert av vår representant i det landet der det ble solgt. Detaljer vedrørende disse betingelsene fås fra forhandleren der apparatet ble kjøpt. Salgskvitteringen må fremvises ved fremsetting av krav under betingelsene i denne garantien..

Kan endres uten forvarsel.

## INSTRUKTIONER FÖR SÄKER ANVÄNDNING

Som beskrivs i denna bruksanvisning, får denna apparat endast användas vid städning av hemmet. Se till att du förstår anvisningarna helt innan du börjar använda maskinen.

Lämna aldrig denna apparat inkopplad. Stäng alltid av apparaten och dra ut kontakten ur vägguttaget efter användning eller innan rengöring av produkten eller utföring av en underhållsåtgärd.

Den här apparaten kan användas av barn från 8 års ålder och personer med en nedsatt fysisk, sensorisk eller mental förmåga och som inte har den erfarenhet och kunskaper som behövs, förutsatt att de övervakas eller har fått instruktioner om hur apparaten används på ett säkert vis och förstår riskerna som är involverade. Barn får inte leka med apparaten.

Rengöring och underhåll som användaren ska utföra, får inte göras av barn utan överinseende.

Om nätsladden är skadad, sluta då omedelbart att använda produkten. För att undvika en säkerhetsrisk, måste en auktoriserad servicetekniker från HOOVER byta nätsladden. Håll händer, fötter, lösa klädesplagg och hår borta från roterande borstar.

Använd endast tillbehör, förbrukningsartiklar eller reservdelar som rekommenderas eller levererats av HOOVER.

**Statisk elektricitet:** Vissa mattor kan orsaka att lite statisk elektricitet byggs upp. Elektrostatiska urladdningar är inte hälsofarliga.

Använd inte apparaten ut ur dörrar eller på något vått underlag eller för våtupptagning.

Plocka inte upp hårda eller vassa föremål, tändstickor, het aska, fimpar eller andra liknande föremål.

Plocka inte upp eller spraya med brandfarliga vätskor, rengöringsmedel, aerosoler eller ångor.

Kör inte över sladden när du använder apparaten eller dra ut kontakten genom att dra i sladden.

Fortsätt inte att använda apparaten om den verkar defekt.

Stå inte på sladden eller vira den runt armar eller ben när du

använder apparaten.

Använd inte apparaten för att rengöra djur eller människor.

Placera inte apparaten ovanför dig när du rengör trappor.

**Håll batterier borta från barn.**

**Kontakta omedelbart en läkare om ett batteri sväljs.**

Förbrukade batterier ska plockas bort från apparaten och bortskaffas på ett säkert sätt.

Om apparaten ska lagras under en längre tid ska batterierna plockas bort och lagras säkert.

Om maskinen ska kasseras måste batterierna först tas bort.

Maskinen måste kopplas bort från elnätet vid borttagning av batterierna.

Kassera batterierna på ett säkert sätt.

Använd endast litiumbatteri CR2032 3 V. Den icke-laddningsbara typen.

Batterier ska sättas in med korrekt polaritet: Den positiva polen ”+” är på ovansidan. **[23]**

Icke-laddningsbara batterier får inte laddas.

Batteriklämmorna får inte kortslutas.

**HOOVER service:** För att säkerställa en fortsatt säker och effektiv drift av denna apparat rekommenderar vi att service eller reparationer endast utförs av en auktoriserad servicetekniker från HOOVER.

### Miljön

Symbolen på apparaten indikerar att denna produkt inte får behandlas som hushållsavfall. Den måste i stället lämnas in på uppsamlingsplats för återvinning av elektrisk och elektronisk utrustning. Avfallshanteringen ska utföras enligt de lokala miljöbestämmelserna. För mer information om hantering, återvinning och återanvändning av denna produkt, kontakta din kommun, lokala myndigheter och renhållningsverk eller den butik där du köpte apparaten.



### För modeller med Hi-fjärrkontroll:

Frekvensband	300Mhz ~ 450Mhz
Maximal RF-effekt överförd i frekvensbanden	11 dBm

**CE** och med detta deklarerar Candy Hoover Group Srl att denna märkta apparat överensstämmer med de grundläggande kraven hos direktiv 2014/53/EU och 2011/65/EU. För att få en kopia på försäkran om överensstämmelse, vänligen kontakta tillverkaren på: [www.candy-group.com](http://www.candy-group.com)

#### För alla andra modeller:

**CE** Denna apparat uppfyller de europeiska direktiven 2014/35/EU, 2014/30/EU och 2011/65/EU.

CANDY HOOVER GROUP S.r.l. Via Privata Eden Fumagalli, 20861 Brugherio (MB) Italy

## LÄRA KÄNNA DIN ÅNGRENGÖRARE

- |  |  |
|--|--|
| A. Dammbehållare   | O. Avancerat och bekvämt handtag med mjukt grepp, sugregulator och integrerade tillbehör: Fogmunstycke, dammborste och munstycke för möbler* (Se 'Na') |
| B. Huvuddel  | P. Grundläggande handtag med mjukt grepp, sugregulator och integrerat fogmunstycke*  |
| C. På/av-pedal   | Q. Teleskoprör**   |
| D. Förvaringsplats   | Q1. Teleskoprör med säker anslutning*  |
| E. Frigöringsknapp för dammbehållarens lock  | Q2. Teleskoprörsreglage**  |
| F. Pedal till sladdvinda   | R. Munstycke för matta och golv med säker anslutning*  |
| G. Dammbehållare   | S. Golvtypväljare  |
| H. Cyklonkropp   | T. Reglage matt- och golvmunstycke*  |
| I. Vortex Finder ( Röd metallic )  | U. Matt- och golvmunstycke (GP)**  |
| J. Dammbehållarens lock  | U1. Munstycke för mattor (CA)**  |
| K. Frigöringsknapp till dammbehållarklaffen  | U2. Munstycke för hårda golv (HF)**  |
| L. Frigöringsknapp till dammbehållarens lock   | V. Förmotorfilter  |
| M. Slang   | W. Utblåsningsfilter   |
| N. Handtag med fjärrkontroll och mjukt grepp*  | X. Mini-turbomunstycke för uppsugning av päls*   |
| N1. Knappar för effektregering   | Y. Mini-turbomunstycke för uppsugning av allergen*   |
| N2. Knapp för ljudlöst läge  | Z. Munstycke för extra försiktighet med parkettgolv*   |
| N3. På/av-knapp  | AA. Munstycke för parkettgolv*   |
| N4. LED-indikator för batteristatus hos handtagets fjärrkontroll                           | AB. Långt 2-i-1 verktyg *  |
| Na. Integrerade tillbehör på handtaget: Fogmunstycke, dammborste och munstycke för möbler* | AC. Möbelmunstycke XL*   |

\*Endast vissa modeller \*\* Kan variera beroende på modell

## SÄTTA IHOP ÅNGRENGÖRAREN

Ta ur alla delar ur förpackningen.

1. Koppla i slangen i dammsugarkroppen och se till så att den knäpper i läge. För att ta loss slangen: tryck på spärrarna på änden av slangen och dra. [1]
2. Anslut slangens handtag\*\* till den övre änden av röret. [2]
3. Anslut rörets nedre ände till matt- och golvmunstycket\*\* eller tillbehören vid behov. [3]

## ANVÄNDA PRODUKTEN

1. Dra ur nätsladden och koppla in den i kraftkällan. Dra inte ut sladden längre än till den röda markeringen. [4]
2. Justera den teleskopiska röret\*\* till önskad höjd genom att flytta reglaget. Höj eller sänk sedan röret till den mest bekväma rengöringspositionen. [5]
3. När du har anslutit teleskoprörets nedre ände till matt- och golvmunstycket\*\* eller tillbehören vid behov, tryck på pedalväljaren på munstycket för att välja det perfekta rengöringsläget för golvtypen.  
**Hårt golv** – Borstarna sänks ned för att skydda golvet.  
**Matta** – Borstarna dras upp för djupare rengöring.

#### Matt & Golv Munstycke\*\*: [6]

- **Rengöring av hårda golv:** Tryck på munstyckets pedal för att välja hårdgolvsläget och justera reglaget på munstycket till ALLA GOLV. I det här läget sänks borstar, hjul och torkarblad för att skydda hårda golv. [6a]
- **Rengöring av standardmattor:** Tryck pedalen på munstycket till mattläget och justera reglaget på munstycket till ALLA GOLV. I det här läget lyfts alla borstar och torkarblad medan hjuler sänks för att tillåta en enkel förflyttning på en sådan yta. [6b]
- **Djup mattrengöring:** Tryck pedalen på munstycket till mattläget och justera reglaget på munstycket till DJUP MATTRENGÖRING. I det här läget lyfts borstar, hjul och torkarblad för en djupare rengöring av din matta. [6c]

**WARNING:** Vi rekommenderar att pedalen inte ställs in på hårdgolvsläget och reglaget på djup mattrengöring för att undvika eventuella repor på trägolv.

4. Sätt på dammsugaren genom att trycka på pedalen ovanpå dammsugaren [7] eller genom att trycka på knappen på slangens handtag\*. [8]
5. Justera effekten genom att trycka på de varierbara kontrollknapparna på slangens handtag\*. [9]

#### Handtag med inställningar\*:

- **Sätta på/stänga av dammsugaren:** Tryck på/av-knappen. [8]
- **Rörlig effektregering:** Tryck på knapparna "+, -" för att justera styrkan. [9]
- **Ljudlöst läge:** Tryck på knappen för ljudlöst läge för att dammsuga med en reducerad ljudnivå. [10]

#### Integrerade tillbehör på handtaget:

- **Inbyggt fogmunstycke :** Änden hos slangens handtag kan användas som ett munstycke för att dammsuga i trånga utrymmen.
- **Munstycke för möbler :** Tryck på spärrarna på båda sidorna av handtaget och dra den nedåt för att ta fram munstycket för möbler och dammsuga mjuka ytor samt textilier



(gardiner, hemtextiler). [11]

- **Dammborste:** Tryck på spärrarna på båda sidorna av handtaget och dra den nedåt, tryck därefter reglaget till slutet för att ta fram den inbyggda dammborsten. Ideal för hårda ytor (bokhyllor, tangentbord, golvlister). [11]

#### Avancerat och bekvämt handtag\*:

- **Sugreglerare :** Justera sugkraften genom att öppna eller stänga luftventilen på handtaget. [12]

#### Integrerade tillbehör på handtaget :

- **Inbyggt fogmunstycke :** Änden hos slangens handtag kan användas som ett munstycke för att dammsuga i trånga utrymmen.
- **Munstycke för möbler :** Tryck på spärrarna på båda sidorna av handtaget och dra den nedåt för att ta fram munstycket för möbler och dammsuga mjuka ytor samt textiler (gardiner, hemtextiler). [11]
- **Dammborste :** Tryck på spärrarna på båda sidorna och dra den nedåt, tryck därefter reglaget till slutet för att ta fram den inbyggda dammborsten. Ideal för hårda ytor (bokhyllor, tangentbord, golvlister). [11]

#### Grundläggande handtag\*:

- **Sugreglerare :** Justera sugkraften genom att öppna eller stänga luftventilen på handtaget. [12]
- **Inbyggt fogmunstycke :** Änden hos slangens handtag kan användas som ett munstycke för att dammsuga i trånga utrymmen.

Stäng av efter användning genom att trycka pedalen eller knappen på slangens handtag\*. Koppla ur och samla in sladden genom att trycka på pedalen till sladdvindan.

#### Parkerings och förvarings avsnitt

Röret kan förvaras på baksidan av dammsugaren för lagring eller tillfällig förvaring under användning. [13]

## TILLBEHÖR

För att uppnå bästa prestanda och effektivitet rekommenderas det att rätt munstycke används för de huvudsakliga städarbetena. Dessa munstycken visas i diagrammen med beteckningarna **GP**, **HF** och **CA**.

Ett munstycke av typen **GP** kan användas till att rengöra både mattor och hårda golv.

Ett munstycke av typen **HF** är endast lämpligt för användning på hårda golv.

Ett munstycke av typen **CA** är endast lämpligt för användning på mattor.

De andra munstyckena är tillbehör för specialrengöring och rekommenderas endast för enstaka rengöringstillfällen.

Alla tillbehör kan fästas vid änden av handtaget eller änden av det teleskopiska röret.

**Dubbelt munstycke för uppsugning av päls\*** - Använd miniturbomunstycket i trappor eller för djuprengöring av textilytor och andra svårrengjorda ytor. Särskilt lämpligt för borttagning av djurhår. [X]

**Dubbelt munstycke för uppsugning av allergen\*** - Använd miniturbomunstycket i trappor eller för djuprengöring av textilytor och andra svårrengjorda ytor. Det är särskilt lämpligt för allergenborttagning. [Y]

\*Endast vissa modeller \*\* Kan variera beroende på modell

**Munstycke för extra försiktighet med parkettgolv och munstycke för parkettgolv\* -** För parkettgolv och andra känsliga golv. [Z(30cm) , AA(25cm)]

**Långt 2-i-1 verktyg\*** - Fogmunstycke och dammborste - Den gör det möjligt att rengöra på svåråtkomliga platsen som bokhyllor och höga hörn. [AB]

**Möbelmunstycke XL\*** - Perfekt för rengöring av stora och mjuka ytor såsom soffor och madrasser. [AC]

**VIKTIGT:** Använd inte turbo- och miniturbomunstycket på mattor med långa fransar, djurfällar eller mattor med högre lugg än 15 mm. Håll inte drivmunstycket stilla medans borstarna roterar.

## UNDERHÅLL AV DAMMSUGAREN

### Tömma dammbehållaren

När dammet når maxnivån tömmer du dammbehållaren.

**VIKTIGT:** För att bibehålla optimal kapacitet får dammet inte överskrida maxnivån.

1. Slå av dammsugaren med huvudströmbrytaren och dra ut strömsladden.
2. Tryck på dammbehållarens frigöringsknapp och ta bort behållaren från dammsugaren. [14]
3. Håll dammbehållaren med en hand och tryck på frigöringsspaken till dammbehållarklaffen. [17]
4. Stäng dammbehållarklaffen och sätt tillbaka den på dammsugarkroppen. [14]

### Rengöra de tvättbara filtren

Dammsugaren är försedd med förmotorfilter och utblåsningsfilter. För att upprätthålla rengöringsprestandan måste du regelbundet ta bort filtret och slå den mot sopkorgens sida för att ta bort dammet. Filtren ska tvättas var 5:e gång du tömmer behållaren eller när filtren blir för dammiga.

**VIKTIGT:** Filtren måste rengöras regelbundet på alla påslösa dammsugare. Om filtren inte rengörs kan detta leda till att luften blockeras, överhettning och produktfel. Dessutom kan garantin upphöra att gälla.

**VIKTIGT:** Kontrollera och underhåll filtren regelbundet.

**VIKTIGT:** Se alltid till att filtersatsen är helt torr innan du använder den.

### Så här kommer du åt filtret:

1. Tryck på dammbehållarens frigöringsknapp och ta bort behållaren från dammsugaren. [14]
2. Håll dammbehållaren med en hand och tryck på frigöringsknappen med den andra för att öppna behållarens lock. [15]
3. Ta bort förmotorfiltret i behållarens lock. [18]
4. Knacka försiktigt på förmotorfiltret och tvätta det. Använd inte hett vatten eller rengöringsmedel. Ta bort överflödigt vatten från filtret och låt det torka helt innan du använder det igen. [21,22]
5. Sätt tillbaka förmotorfiltret i dammbehållarens lock när det har torkat helt och fäst det sedan på dammsugaren.

**VIKTIGT:** Använd inte produkten utan filtersatsen.

### Så här kommer du åt utblåsningsfiltret:

1. Lossa utblåsfiltrets lucka genom att trycka på två knappar och dra utåt från dammsugaren. [19]
2. Ta ur filtersatsen från fördjupningen genom att dra i utblåsfiltrets ringhandtag. [20]
3. Knacka försiktigt på och tvätta filterenheten. Använd inte hett vatten eller rengöringsmedel. Avlägsna överflödigt vatten från filtret och lämna det för att torka innan du återanvänder det. [21,22]
4. Återmontera filtersatsen när den är helt torr och sätt tillbaka i dammsugaren. Tryck in tills det tar stopp. [20]
5. Fäst utblåsfiltrets lock genom att trycka på sidorna som har clips. Du hör ett klick när locket sitter på plats. [19]

**VIKTIGT:** Använd inte produkten utan filtersatsen.

### Rengöring av dammbehållaren/separationsenheten

Den här dammsugaren använder ett separationssystem som är unikt för Hoover. Om det är nödvändigt kan separationsenheten monteras bort från dammbehållaren och rengöras.

1. Tryck på dammbehållarens frigöringsknapp och ta bort behållaren från dammsugaren. [14]
2. Håll dammbehållaren med en hand och tryck med den andra handen på knappen hos dammbehållarens lock för att öppna den. [15]
3. Ta bort Vortex findern (röd) från cyklonkroppen. [16]
4. Ta bort cyklonkroppen från dammbehållaren. [17]
5. Om så krävs kan du använda en trasa för att ta bort överblivet damm från den röda vortex findern och cyklonkroppens yta.
6. Placera dammbehållaren under vattenkranen. [21] Skölj med ljummet vatten. Tvätta insidan av behållaren med enbart vatten. ANVÄND INTE tvålbaserade rengöringsmedel för att tvätta behållarens insida.
7. Återmontera den interna delen i dammbehållaren och se till att alla delar är torra.
8. Stäng dammbehållarens lock och sätt tillbaka dammbehållaren på dammsugaren.

### Åtgärda stopp

1. Kontrollera om dammbehållaren är full. Gå i så fall till "Tömma dammbehållaren".
2. Om dammbehållaren är tom, men suget är ändå lågt:
  - A. Behöver filtren rengöras? Gå i så fall till avsnittet "Rengöra de tvättbara filtren".
  - B. Kontrollera om det är något annat stopp i systemet. - Använd en stång eller liknande för att ta bort det som eventuellt blockerar teleskopröret eller den böjliga slangen.
  - C. Kontrollera att förmotorfiltret sitter på plats.
  - D. Kontrollera om separationsenheten behöver rengöras. Se "Rengöra separationsenheten".

### Byte av batteriet hos handtagets fjärrkontroll\* [23]

Vänligen byt batteriet om fjärrkontrollen på handtaget inte reagerar på knapptryck:

1. Använd en skruvmejsel till att ta loss fjärrkontrollen från handtaget.
2. För att byta ut det gamla batteriet, tryck spännet åt sidan, ta bort gamla batterier, byt ut dem och sätt därefter tillbaka spännet. Använd endast litiumbatteri CR2032 3 V.

## CHECKLISTA FÖR ANVÄNDAREN

Om du får problem med produkten fyller du i den här enkla kontrollistan innan du ringer till den lokala Hoover-servicerepresentanten.

- Har dammsugaren tillgång till fungerande strömförsörjning? Kontrollera genom att koppla in en annan eldriven apparat.
- Är dammbehållaren överfylld? Se "Underhåll av dammsugaren".
- Är filtret igensatt? Se "Underhåll av dammsugaren".
- Är slangen eller munstycket igensatt? Se "Ta bort ett stopp i systemet".
- Är dammsugaren överhettad? Om så är fallet tar det cirka 30 minuter för en automatisk återställning.
- Reagerar inte fjärrkontrollen på handtaget? Vänligen se 'Byta ut batteriet hos det fjärrstyrda handtaget'.

## VIKTIG INFORMATION

### Reserv- och förbrukningsdelar från Hoover

Använd alltid originaldelar från Hoover vid byte. Du kan beställa delar från närmaste Hoover-återförsäljare eller direkt från Hoover. Uppge alltid modellnummer när du beställer delar.

### Hoover-service

Kontakta ditt närmaste Hoover-servicekontor om du behöver service.

### Kvalitet

BSI ISO 9001: Hoovers fabriker har kvalitetsbedömts av oberoende organisationer. Våra produkter tillverkas enligt ett kvalitetssystem som uppfyller kraven för ISO 9001.

### Garanti

Garantivillkoren för produkten definieras av vår representant i det land där produkten säljs. Du kan få uppgifter om aktuella villkor från återförsäljaren. Kvittot måste visas upp när man kräver ersättning enligt garantin.

Specifikationerna kan ändras utan föregående meddelande.

## OHJEET TURVALLISTA KÄYTTÖÄ VARTEN

Tämä laite on tarkoitettu ainoastaan kotikäyttöön tämän käyttöoppaan kuvaamalla tavalla. Tutustu tähän käyttöoppaaseen huolellisesti ennen laitteen käyttöä.

Älä jätä laitetta kytketyksi virtaan. Kytke laitteesta virta ja irrota virtajohto virtalähteestä aina käytön jälkeen ja ennen kuin puhdistat laitteen tai teet huoltotoimenpiteitä.

Tätä laitetta voivat käyttää yli 8-vuotiaat lapset ja henkilöt joilla on vähentynyt fyysinen, aistillinen tai henkinen kyky tai joilla ei kokemusta tai tietoja, mikäli heille on annettu ohjausta ja valvontaa koskien laitteen turvallista käyttöä ja ymmärtävät käyttöön liittyvät vaaratekijät. Lapset eivät saa leikkiä laitteella. Käyttäjän suorittamaa puhdistusta ja huoltoa ei tule suorittaa lasten toimesta ilman valvontaa.

Lopeta laitteen käyttö välittömästi, jos virtajohto on vahingoittunut. Turvallisuusriskin välttämiseksi valtuutetun Hoover-huoltoliikkeen tulee vaihtaa virtajohto.

Pidä kädet, jalat, löysät vaatteet ja hiukset loitolla pyörivistä harjoista.

Käytä ainoastaan Hooverin toimittamia tai suosittelemia kiinnityskappaleita, lisävarusteita tai varaosia.

**Staattinen sähkö:** Joihinkin mattoihin voi kertyä staattista sähköä. Staattisen sähkön purkaus ei ole vaarallista terveydelle.

Älä käytä laitettasi ulkona tai märällä alustalla. Älä imuroi nesteitä.

Älä imuroi kovia tai teräviä esineitä, tulitikkuja, kuumaa tuhkaa, tupakantumppeja tai muita vastaavia esineitä.

Älä ruiskuta laitteelle tai imuroi laitteella syttyviä nesteitä, puhdistusnesteitä, aerosoleja tai näiden höyryjä.

Älä aja laitteella verkkojohdon yli tai irrota pistoketta virtalähteestä johdosta vetämällä.

Älä käytä laitetta, jos se vaikuttaa vialliselta.

Älä seiso johdon päällä tai kierrä sitä käsien tai jalkojen ympärille laitetta käyttäessäsi.

Älä käytä laitetta ihmisten tai eläinten puhdistamiseen.

Älä aseta laitetta yläpuolellesi, kun imuroit portaita.

**Pidä paristot poissa lasten ulottuvilta.**

**Jos paristo on nielty, ota välittömästi yhteys lääkäriin.**

Tyhjentyneet paristot on poistettava laitteesta ja hävitettävä turvallisesti.

Jos laitetta säilytetään käyttämättömänä pitkän aikaa, paristot on poistettava ja varastoitava turvallisesti.

Jos laite hävitetään, akut on ensin poistettava.

Laitteen täytyy olla irti verkkovirrasta akkua vaihdettaessa.

Hävitä akut turvallisesti.

Käytä vain paristotyyppiä litium CR2032 3 V. Ei-ladattava tyyppi.

Paristot on asetettava navat oikein päin: Positiivinen napa ”+” on yläpuolella. [23]

Ei-ladattavia paristoja ei saa ladata.

Paristoliittimiä ei saa oikosulkea.

**HOOVER-huolto** Laitteen käyttöturvallisuuden ja tehokkaan toiminnan varmistamiseksi huolto ja korjaukset kannattaa antaa valtuutetun Hoover-huoltoliikkeen tehtäväksi.

### Ympäristö

Tässä laitteessa oleva symboli osoittaa, että laitetta ei saa hävittää kotitalousjätteenä. Se täytyy luovuttaa sähkö- ja elektroniikkalaitteiden keräyspisteeseen kierrätystä varten. Hävittäminen on suoritettava paikallisten jätteiden hävittämistä koskevien ympäristösäännösten mukaisesti. Saat lisätietoja tämän laitteen käsittelemisestä, hyötykäytöstä ja kierrätyksestä paikallisilta viranomaisilta, kotitalouksien ja muiden jätteiden jätehuollosta tai liikkeestä, josta ostit laitteen.



### Mallit, joissa on Hi-Controller-etäohjaus:

Taajuusalueet	300Mhz ~ 450Mhz
Taajuusalueella kuuluva enimmäisäänenvoimakkuus	11 dBm

**Candy Hoover Group Srl** vakuuttaa, että tämä merkitty laite on direktiivien 2014/53/EU ja 2011/65/EU vaatimusten mukainen. Jos haluat kopion vaatimustenmukaisuusvakuutuksesta, ota yhteyttä valmistajaan osoitteessa [www.candy-group.com](http://www.candy-group.com)

#### Kaikki muut mallit:

Tämä tuote on yhdenmukainen Euroopan direktiivien 2014/35/EU, 2014/30/EU ja 2011/65/EU kanssa.

CANDY HOOVER GROUP S.r.l. Via Privata Eden Fumagalli, 20861 Brugherio (MB) Italy

### LAITTEeseen TUTUSTUMINEN

A. Pölysäiliön asennus	kahvaosa, jossa pehmeä kädensija, imutehon
B. Imurin runko	säädin ja integroidut lisävarusteet: Rakosuutin,
C. Virtapainike	pölyharja ja huonekalusuutin* (Katso 'Na')
D. Putken säilytysura	P. Kahvaosa pehmeällä kädensijalla,
E. Pölysäiliön vapautuspainike	imutehonsäädin ja integroitu rakosuutin*
F. Johdonkeräyspoljin	Q. Teleskooppiputki**
G. Pölysäiliö	Q1. Teleskooppiputken liitäntä*
H. Pyörrepuhdistimen runko	Q2. Teleskooppiputken säädin**
I. Pyörresuunnin ( Metallinen punainen )	R. Matto- ja lattiasuuttimen liitäntä*
J. Pölysäiliön kansi	S. Lattiatyyppin valitsin
K. Pölysäiliön läpän vapautusliipaisin	T. Matto- ja lattiasuulakkeen liukusäädin*
L. Pölysäiliön kannen vapautuspainike	U. Matto- ja lattiasuulake (GP)**
M. Letku	U1. Mattosuulake (CA)**
N. Kahvaosa kaukosäätimellä ja kädensijalla*	U2. Lauta-, parketti- tai laminaattilattian suulake (HF)**
N1. Tehonsäädön hallintapainikkeet	V. Moottorin edessä oleva suodatin
N2. Hiljaisen tehotilan painike	W. Poistoilmansuodatin
N3. Virtakatkaisin	X. Kaksitoiminen mini turbo -imusuutin lemmikinkarvalle*
N4. Kahvaosan kaukosäätimen pariston varauksen led-ilmais	Y. Kaksitoiminen mini turbo -imusuutin allergeeneille*
Na. Kahvaosaan integroidut lisävarusteet: Rakosuutin, pölyharja ja huonekalusuutin*	Z. Erittäin hellävarainen parkettisuutin*
O. Edistyksellinen ja mukava	AA. Parkettisuutin*
	AB. Pitkä 2-in-1-suutin *
	AC. Tekstiilisuulake XL*

\*Vain joissakin malleissa \*\* Voi vaihdella mallista riippuen

### LAITTEEN KOKOAMINEN

Pura kaikki osat pakkauksesta.

1. Liitä letku imurin runkoon ja varmista, että se naksahaa ja lukittuu paikalleen. Letkun vapauttaminen: paina letkun päässä olevia salpoja ja vedä. [1]
2. Liitä kahvaosa\*\* yläputken päähän. [2]
3. Liitä putken alapää matto- ja lattiasuulakkeeseen\*\* tai tarvittaessa lisävarusteisiin. [3]

### LAITTEEN KÄYTTÖ

1. Vedä verkkojohto esiin ja kytke se virtalähteeseen. Vedä johto ulos enintään punaiseen merkkiin asti. [4]
2. Säädä teleskooppiputki sopivalle korkeudelle siirtämällä teleskooppivapautuspainike\*\* ylös ja siirtämällä kädensijaa ylös tai alas. [5]
3. Kun teleskooppiputken alapää on liitetty matto- ja lattiasuulakkeeseen\*\* tai tarvittaessa lisävarusteisiin, paina suulakkeessa olevaa lattiatyyppin valitsinpainiketta\* lattiatyyppille sopivimman puhdistustavan valitsemiseksi.

**Kova lattia:** – Harjakset ovat alhaalla lattian suojaamiseksi.

**Matto:** – Harjat nostetaan ylös tarkempaa puhdistusta varten.

**Matto- ja lattiasuutin\*\*:** [6]

- **Kovan lattian puhdistus:** Paina suulakkeessa oleva poljin Kova lattia -tilaan ja säädä suulakkeessa oleva liukukytkin tilaan KAIKKI LATTIAT. Tässä asennossa harjat, pyörät ja pyyhkijäsulka ovat alhaalla kovan lattian suojaamiseksi. [6a]

- **Tavallinen maton & pitkähapsullisen maton puhdistus:** Paina suulakkeessa oleva poljin matto-tilaan ja säädä suulakkeessa oleva liukukytkin asentoon KAIKKI LATTIAT. Tässä asennossa harjat ja pyyhkijäsulka on nostettu ylös, kun taas pyörät on laskettu niin, että liikkuminen tällaisilla pinnoilla on helppoa. [6b]

- **Mattojen syväpuhdistus:** Paina suulakkeessa oleva poljin matto-tilaan ja säädä suulakkeessa oleva liukukytkin asentoon MATTOJEN SYVÄPUHDISTUS. Tässä asennossa harjat, pyörät ja pyyhkijäsulka on nostettu ylös maton syvempää puhdistusta varten. [6c]

**VAROITUS:** Puulattioiden mahdollisen naarmuuntumisen välttämiseksi poljinta ei tule asettaa kova lattia -tilaan, ja liukukytkimen tulee olla maton syväpuhdistuksen asennossa.

4. Kytke pölynimuri päälle painamalla pölynimurin pääyksikön käynnistysjalkapainiketta [7] tai kahvaosan\* käynnistyspainiketta. [8]

5. Säädä tehoa painamalla letkun kahvassa olevia tehonhallintapainikkeita\*. [9]

**Kompakti kahvaosa säädöillä\*:**

- Puhdistimen kytkeminen päälle ja pois päältä: Paina käynnistyspainiketta. [8]
- Tehonsäätö: Säädä tehoa "+"- ja "-"-painikkeilla. [9]
- Hiljainen tehotila: Paina hiljaisen tehotilan painiketta, jos haluat imuroida hiljaisemmalla melutasolla. [10]

**Kahvaosaan integroidut lisävarusteet:**

- **Integroitu rakosuutin :** Kahvaosan päätä voidaan käyttää rakosuuttimena, joka mahtuu ahtaisiin paikkoihin.
- **Huonekalusuutin :** Vapautaa huonekalusuutin painamalla kahvaosan molemmin puolin

sijaitsevia salpoja alaspäin. Huonekalusuuttimella voit imuroida pehmeät pinnat ja tekstiilit (verhot ja huonekalujen verhoilut). [11]

- **Pölyharja:** Vapauta integroitu pölyharja painamalla kahvaosan molemmin puolin sijaitsevia salpoja alaspäin ja tämän jälkeen liukupainike loppuun asti. Ihanteellinen koviille pinnoille (kirjahyllyt, näppäimistöt, jalkalistat). [11]

#### **Edistyksellinen ja mukava kahvaosa\*:**

- **Imutehon säädin :** Säädä imutehoa avaamalla tai sulkemalla kahvaosan ilmaventtiiliä. [12]

#### **Kahvaosaan integroidut lisävarusteet :**

- **Integroitu rakosuutin :** Kahvaosan päätä voidaan käyttää rakosuuttimena, joka mahtuu ahtaisiin paikkoihin.
- **Huonekalusuutin :** Vapauta huonekalusuutin painamalla kahvaosan molemmin puolin sijaitsevia salpoja alaspäin. Huonekalusuuttimella voit imuroida pehmeät pinnat ja tekstiilit (verhot ja huonekalujen verhoilut). [11]
- **Pölyharja :** Vapauta integroitu pölyharja painamalla molemmin puolin sijaitsevia salpoja alaspäin ja tämän jälkeen liukupainike loppuun asti. Ihanteellinen koviille pinnoille (kirjahyllyt, näppäimistöt, jalkalistat). [11]

#### **Kahvaosan suutin\*:**

- **Imutehon säädin :** Säädä imutehoa avaamalla tai sulkemalla kahvaosan ilmaventtiiliä. [12]
- **Integroitu rakosuutin :** Kahvaosan päätä voidaan käyttää rakosuuttimena, joka mahtuu ahtaisiin paikkoihin.

Kun lopetat imuroimisen, kytke virta pois päältä painamalla käynnistysjalkapainiketta tai kahvaosan\* käynnistyspainiketta. Irrota virtajohto pistorasiasta ja kelaa se sisään painamalla johdonkelausjalkapainiketta.

#### **Säilytys ja varastointi -osio**

Teleskooppiputki voidaan asettaa säilytysasentoon käytön aikana tai kun sitä ei käytetä. [13]

## LISÄVARUSTEET

Parhaan suorituskyvyn ja atehokkuuden saavuttamiseksi on suositeltavaa käyttää oikeanlaisia suulakkeita. Kaavioissa näihin suulakkeisiin viitataan kirjainyhdistelmillä **GP**, **HF** ja **CA**.

Suulaketyyppi **GP** soveltuu sekä mattojen että kovan lattian puhdistukseen.

Suulaketyyppi **HF** soveltuu ainoastaan kovan lattian puhdistukseen.

Suulaketyyppi **CA** soveltuu ainoastaan mattojen puhdistukseen.

Muut suulakkeet ovat lisävarusteita erityisiä puhdistustoimenpiteitä varten ja niitä suositellaan käytettävän vain satunnaisesti.

Kaikki lisävarusteet voidaan kiinnittää kädensijan tai teleskooppiputken päähän.

**Kaksitoiminen imusuutin lemmikinkarvalle\*** - Pienellä miniturbosuulakkeella voit imuroida portaita tai syväpuhdistaa tekstiilipintoja ja muita vaikeasti puhdistettavia paikkoja.

Sopii erityisesti eläinten karvojen imurointiin. [X]

**Kaksitoiminen imusuutin allergeeneille\*** - Pienellä tehosuuttimella voit imuroida portaita tai syväpuhdistaa tekstiilipintoja ja muita vaikeasti puhdistettavia paikkoja. Soveltuu erityisen

hyvin allergeenien poistoon. [Y]

**Parkettisuutin ja erittäin hellävarainen parkettisuutin\*** - Parketin ja muiden arkojen lattiapintojen imurointiin. [Z(30cm) , AA(25cm)]

**Pitkä 2-in-1-suutin\*** - Rakosuutin ja pölyharja - Sen avulla voidaan imuroida vaikeapääsyiset alueet, kuten kirjahyllyt ja korkealla olevat kulmat. [AB]

**Tekstiilisuu lake XL\*** - Ihanteellinen laajojen ja pehmeiden pintojen, kuten sohvien ja patjojen puhdistamiseen. [AC]

**TÄRKEÄÄ:** Älä käytä mini turbosuulaketta imuroidessasi pitkähapsullisia mattoja, eläinten taljoja tai mattoja, joiden nukan pituus on yli 15 mm. Älä pidä suulaketta paikoillaan yhdessä kohdassa harjan pyöriessä.

## LAITTEEN KUNNOSSAPITO

### **Pölysäiliön tyhjennys**

Tyhjennä pölysäiliö, kun pölymäärämittari osoittaa säiliön olevan täynnä.

**TÄRKEÄÄ:** Älä imuroi enää sen jälkeen, kun mittari osoittaa säiliön olevan täynnä.

1. Sammuta puhdistin pääkytkimestä ja irrota virtajohto.
2. Paina pölysäiliön vapautuspainiketta ja irrota pölysäiliö imurista. [14]
3. Pitele pölysäiliötä toisella kädellä ja paina pölysäiliön läpän vapautusliipaisinta. [17]
4. Sulje pölysäiliön läppä ja aseta se takaisin imurin runkoon. [14]

### **Pestävien suodattimien puhdistus**

Imurissa on moottorin edessä suodatin ja poistosuodatin. Jotta imurin suorituskyky säilyy hyvänä, irrota suodattimet säännöllisesti ja kopauta niitä roskasäiliön reunaan pölyn irrottamiseksi. Pese suodattimet pölykasetin viiden tyhjennyskerran välein tai kun suodatimeen on kertynyt liikaa pölyä.

**TÄRKEÄÄ:** Kaikkien pölypussittomien imurien suodattimet on puhdistettava säännöllisesti. Jos suodattimia ei puhdisteta, ilman virtaus voi tukkeutua, imuri ylikuumeta ja rikkoutua. Myös takuu voi mitätöityä.

**TÄRKEÄÄ:** Tarkista suodatinten kunto säännöllisesti ja huolla tarvittaessa.

**TÄRKEÄÄ:** Varmista ennen imurointia, että suodatinpakkaus on täysin kuiva.

### **Suodattimen puhdistus:**

1. Paina pölysäiliön vapautuspainiketta ja irrota pölysäiliö imurista. [14]
2. Pitele pölysäiliötä toisella kädellä ja paina toisella pölysäiliön kannen vapautuspainiketta säiliön kannen avaamiseksi. [15]
3. Irrota säiliön kannessa sijaitseva moottorin esisuodatin. [18]
4. Napauta kevyesti moottorin edessä olevaa suodatinta ja pese se. Älä käytä kuumaa vettä tai pesuaineita. Poista suodatimesta liika vesi ja anna kuivua kokonaan, ennen kuin asennat sen takaisin. [21,22]
5. Kokoa täysin kuivunut moottorin suodatin uudelleen pölysäiliön kanteen ja asenna takaisin puhdistimeen.

**TÄRKEÄÄ:** Älä käytä imuria ilman suodatinpakkausta.

### **Poistoilmansuodattimen puhdistus:**

1. Vapauta poistoilmansuodattimen luukku painamalla kahta nappia ja vetämällä se ulos

imurin rungosta. [19]

2. Irrota suodatinpakkaus syvennyksestä vetämällä poistosuodattimen vetorenkaasta. [20]
3. Kopauta varoen suodatinyksikköä ja pese se. Älä käytä kuumaa vettä tai pesuaineita. Poista suodattimesta ylimääräinen vesi ja anna sen kuivua kokonaan ennen käyttöä. [21,22]
4. Kokoa täysin kuivunut suodatinpakkaus ja asenna se takaisin puhdistimeen laittamalla se takaisin sille tarkoitettuun kohtaan ja painamalla se kokonaan paikoilleen. [20]
5. Lukitse poistoilmansuodattimen suojuksen painamalla reunaa, jossa on kiinnikkeet. Kuulet napsahduksen, kun poistoilmansuodattimen luukku on asettuut paikalleen. [19]

**TÄRKEÄÄ:** Älä käytä imuria ilman suodatinpakkausta.

### Pölysäiliön / Erotusyksikön puhdistaminen

Tässä imurissa on ainutlaatuinen Hoover-erottelujärjestelmä. Erotusyksikkö voidaan tarvittaessa irrottaa pölysäiliöstä puhdistusta varten.

1. Paina pölysäiliön vapautuspainiketta ja irrota pölysäiliö imurista. [14]
2. Pitele pölysäiliötä toisella kädellä ja paina toisella pölysäiliön kannen vapautuspainiketta säiliön avaamiseksi. [15]
3. Irrota pyörresuunnin (punainen) pyörrepuhdistimen rungosta. [16]
4. Irrota pyörrepuhdistimen runko pölysäiliöstä. [17]
5. Poista tarvittaessa liiallinen pöly rätillä punaisesta pyörresuuntimesta ja pyörrepuhdistimen rungon pinnalta.
6. Aseta pölysäiliö hanan alle. [21] Huuhtelee kädenlämpöisellä vedellä. Pese säiliön sisäpinnat pelkällä vedellä. Säiliön sisäpintoja EI SAA pestä saippualliuoksilla.
7. Asenna sisäkomponentti takaisin pölysäiliöön. Varmista, että kaikki osat ovat kuivia.
8. Sulje pölysäiliön kansi ja aseta pölysäiliö takaisin puhdistimeen.

### Tukoksen poistaminen

1. Tarkista, onko pölysäiliö täynnä. Tyhjennä se tarvittaessa kohdan "Pölysäiliön tyhjennys" ohjeiden mukaan.
2. Jos pölysäiliö on tyhjä, mutta imuteho on silti heikko:
  - A. Ovatko suodattimet puhdistuksen tarpeessa? Jos ovat, katso lisätietoja kohdasta "Pestävien suodattimien puhdistus".
  - B. Tarkasta, onko laitteessa muuta tukosta. - Poista tukos jatkoputkesta tai letkusta kepin tms. avulla.
  - C. Tarkasta, onko imuriin asennettu esisuodatin.
  - D. Tarkasta, tarvitseeko erotusosa puhdistusta. Katso lisätietoja kohdasta "Erotusosan puhdistus".

### Kahvaosan kaukosäätimen pariston vaihtaminen\* [23]

Jos kahvaosan kaukosäätöpainikkeet eivät toimi, vaihda paristo:

1. Irrota kaukosäädin kahvaosasta ruuvimeisselillä.
2. Kun haluat vaihtaa pariston, työnnä kansi sivuun, poista vanhat paristot, aseta uudet ja laita kansi takaisin. Käytä vain paristotyyppiä litium CR2032 3 V.

## VIANMÄÄRITYSLISTA

Jos laitteen käytössä ilmenee ongelmia, käy läpi nämä vianmääritysohjeet ennen kuin otat yhteyttä paikalliseen Hoover-huoltoon.

- Toimiiko virtalähde? Tarkista tämä toisella sähkölaitteella.
- Onko pölysäiliö täyttynyt äärimmilleen? Katso lisätietoja kohdasta "Laitteen huolto".
- Onko suodatin tukossa? Katso lisätietoja kohdasta "Laitteen huolto".
- Onko letku tai suulake tukossa? Katso lisätietoja kohdasta "Tukoksen poistaminen".
- Onko imuri ylikuumentunut? Jäähtyminen kestää noin 30 minuuttia.
- Eikö kahvaosan kaukosäädin reagoi? Katso kohta "Kahvaosan kaukosäätimen pariston vaihtaminen".

## TÄRKEÄÄ TIETOA

### Hoover-varaosat ja tarvikkeet

Käytä vain alkuperäisiä Hoover-varaosia. Niitä on saatavana paikalliselta Hoover-jälleenmyyjältä tai valtuutetusta huoltoliikkeestä. Mainitse varaosatilauksen yhteydessä laitteen tyyppinumero.

### Hoover-huolto

Ota huoltoon liittyvissä asioissa yhteyttä paikalliseen Hoover-huoltoon.

### Laatu

BSI ISO 9001: Hooverin tehtaat on arvioitu laadun suhteen riippumattoman tahon toimesta. Tuotantoprosessimme täyttävät ISO 9001 -laatuohjeistuksen vaatimukset.

### Takuu

Tämän laitteen takuehdot määrittelee ostomaan Hoover-edustaja. Yksityiskohtaiset tiedot näistä ehdoista saa laitteen myyneeltä jälleenmyyjältä. Tämän takuun mukaisia vaateita esitettäessä on esitettävä myyntitodistus tai ostokuitti.

Oikeus muutoksiin pidätetään.

## ΟΔΗΓΙΕΣ ΑΣΦΑΛΟΥΣ ΧΡΗΣΗΣ

Η συσκευή πρέπει να χρησιμοποιείται αποκλειστικά για οικιακή χρήση, σύμφωνα με τις οδηγίες χρήσης. Πριν δοκιμάσετε να χρησιμοποιήσετε τη συσκευή, βεβαιωθείτε ότι έχετε κατανοήσει τις οδηγίες που περιέχει το βιβλίο που κρατάτε στα χέρια σας.

Μην αφήνετε τη συσκευή συνδεδεμένη στην πρίζα. Πριν τον καθαρισμό της συσκευής ή οποιασδήποτε εργασία συντήρησης, πρέπει να απενεργοποιείτε τη συσκευή και να την αποσυνδέετε από την πρίζα.

Η χρήση της συσκευής από παιδιά άνω των 8 ετών, ηλικιωμένους και ΑΜΕΑ προϋποθέτει την παρουσία ενήλικα που θα φέρει την ευθύνη για την ασφαλεία τους. Η χρήση της συσκευής από άτομα που δεν έχουν εξοικειωθεί στη χρήση παρόμοιων συσκευών μπορεί να γίνει μόνο αφού γίνει κατανοητός ο κίνδυνος που ενέχει η χρήση της συσκευής. Μην αφήνετε τα παιδιά να παίζουν με τη συσκευή.

Οι εργασίες καθαρισμού και συντήρησης της συσκευής δεν πρέπει να γίνονται από τα παιδιά χωρίς την επίβλεψη ενήλικα που θα φέρει την ευθύνη για την ασφαλεία τους.

Εάν το καλώδιο σύνδεσης με το δίκτυο παροχής εμφανίσει φθορές διακόψτε την λειτουργία της συσκευής αμέσως. Για λόγους ασφαλείας η αντικατάσταση του καλωδίου πρέπει να γίνει αποκλειστικά από εξουσιοδοτημένο προς τούτο τεχνικό HOOVER.

Μην πλησιάζετε τις περιστρεφόμενες βούρτσες με τα χέρια, τα πόδια, τα μαλιά ή τα ρούχα σας.

Χρησιμοποιείτε αποκλειστικά γνήσια εξαρτήματα, ανταλλακτικά και αναλώσιμα HOOVER.

**Στατικός ηλεκτρισμός:** Ορισμένα χαλιά μπορεί να προκαλέσουν μικρή συσσώρευση στατικού ηλεκτρισμού. Τυχόν στατικές εκκενώσεις δεν είναι επικίνδυνες για την υγεία.

Μην χρησιμοποιείτε τη συσκευή σας σε εξωτερικούς χώρους, σε υγρή επιφάνεια ή για τη συλλογή υγρών.

Μην συλλέγετε με τη συσκευή σκληρά ή αιχμηρά αντικείμενα, καυτή στάχτη, αποτσίγαρα ή άλλα παρόμοια αντικείμενα.

Μην ψεκάζετε ή συλλέγετε εύφλεκτα υγρά, υγρά καθαρισμού, αερολύματα ή τους ατμούς τους.

Ενώσω χρησιμοποιείτε τη συσκευή δεν πρέπει να πατάτε επάνω στο καλώδιο, μην τραβάτε το καλώδιο για να αποσυνδέσετε τη συσκευή από την παροχή.

Εάν η συσκευή εμφανίσει κάποια βλάβη μην συνεχίσετε να την

χρησιμοποιείτε.

Μην στέκεστε πάνω στο καλώδιο και μην το περιτυλίγετε γύρω από τα χέρια ή τα πόδια σας ενόσω η συσκευή βρίσκεται σε λειτουργία.

Μην χρησιμοποιείτε τη συσκευή για να καθαρίζετε ζώα ή άτομα. Μην τοποθετείτε πάνω σας τη συσκευή όταν καθαρίζετε τις σκάλες.

**Κρατήστε τις μπαταρίες μακριά από τα παιδιά.**

**Σε περίπτωση κατάποσης μιας μπαταρίας, συμβουλευτείτε αμέσως γιατρό.**

Οι εξαντλημένες μπαταρίες πρέπει να αφαιρεθούν από τη συσκευή και να απορριφθούν με ασφάλεια.

Αν η συσκευή πρόκειται να αποθηκευθεί αδρανής για μεγάλο χρονικό διάστημα, οι μπαταρίες πρέπει να αφαιρεθούν και να αποθηκευθούν με ασφάλεια.

Εάν η συσκευή πρόκειται να απορριφθεί, πρώτα πρέπει να αφαιρεθούν οι μπαταρίες.

Η συσκευή πρέπει να αποσυνδεθεί από το ηλεκτρικό δίκτυο κατά την αφαίρεση των μπαταριών.

Απορρίψτε τις μπαταρίες με ασφαλή τρόπο.

Χρησιμοποιείτε μόνο μπαταρίες λιθίου τύπου CR2032 3V. Μην επαναφορτιζόμενες μπαταρίες.

Οι μπαταρίες πρέπει να μπαίνουν με τη σωστή πολικότητα: Ο θετικός πόλος "+" είναι στην επάνω πλευρά. **[23]**

Οι μη επαναφορτιζόμενες μπαταρίες δεν πρέπει να φορτίζονται.

Οι ακροδέκτες των μπαταριών δεν πρέπει να βραχυκυκλώνονται.

**Τεχνική Υποστήριξη Hoover :** Για την διατήρηση της ασφαλούς και αποτελεσματικής λειτουργίας της συσκευής οι επεμβάσεις συντήρησης και αποκατάστασης βλαβών πρέπει να γίνονται αποκλειστικά μέσω των εξουσιοδοτημένων τεχνικών HOOVER.

### Περιβάλλον

Το σύμβολο πάνω σε αυτή τη συσκευή υποδεικνύει ότι αυτή η συσκευή δεν μπορεί να αντιμετωπιστεί σαν κοινό οικιακό απόρριμα. Αντίθετα, πρέπει να παραδοθεί στο πλησιέστερο κέντρο συλλογής για την ανακύκλωση ηλεκτρικού και ηλεκτρονικού εξοπλισμού. Η απόρριψη της συσκευής πρέπει να γίνει σύμφωνα με την ισχύουσα κατά τόπο νομοθεσία για την απόρριψη ηλεκτρονικών και ηλεκτρικών αποβλήτων. Για πιο λεπτομερείς πληροφορίες σχετικά με την επεξεργασία, την ανάκτηση και την ανακύκλωση αυτής της συσκευής, επικοινωνήστε με την κατά τόπους αρμόδια αρχή, την υπηρεσία αποκομιδής οικιακών απορριμμάτων ή το κατάστημα από το οποίο αγοράσατε τη συσκευή.



### Για μοντέλα με τηλεχειριστήριο Hi-Controller:

Ζώνες συχνότητας	300Mhz ~ 450Mhz
Μέγιστη ισχύς ραδιοσυχνότητας που μεταδίδεται στη ζώνη συχνοτήτων.	11 dBm

**C** **E** Με το παρόν η Candy Hoover Group Srl, δηλώνει ότι αυτή η συσκευή με σήμανση συμμορφώνεται με τις ουσιώδεις απαιτήσεις των Οδηγιών 2014/53/ΕΕ και 2011/65/ΕΕ. Για να λάβετε ένα αντίγραφο της δήλωσης συμμόρφωσης παρακαλώ επικοινωνήστε με τον κατασκευαστή στο: [www.candy-group.com](http://www.candy-group.com)

#### Για όλα τα άλλα μοντέλα:

**C** **E** Αυτή η συσκευή πληροί τις υπ' αριθμ. 2014/35/ΕΥ, 2014/30/ΕΥ και 2011/65/ΕΥ Ευρωπαϊκές Οδηγίες.

CANDY HOOVER GROUP S.r.l. Via Privata Eden Fumagalli, 20861 Brugherio (MB) Italy

### ΕΞΟΙΚΕΙΩΣΗ ΜΕ ΤΗ ΣΚΟΥΠΑ

- |   |  |
|---|--|
| A. Συγκρότημα δοχείου σκόνης  | O. Σύνθετη άνετη λαβή με μαλακό πιάσιμο, ρυθμιστή αναρρόφησης και ολοκληρωμένα εξαρτήματα: Εργαλείο σχισμών, Βούρτσα ξεσκονίσματος και Εργαλείο επίπλων.* (Βλέπε <b>Na</b> ) |
| B. Κυρίως σώμα καθαριστή  | P. Βασική λαβή με μαλακό πιάσιμο, Ρυθμιστή αναρρόφησης και ολοκληρωμένο εργαλείο σχισμών*  |
| C. Πεντάλ (On/Off)  | Q. Τηλεσκοπικός σωλήνας**  |
| D. Εγκοπή στάθμευσης  | Q1. Ασφαλής σύνδεση τηλεσκοπικού σωλήνα*   |
| E. Κουμπί απασφάλισης δοχείου σκόνης  | Q2. Μηχανισμός ρύθμισης τηλεσκοπικού σωλήνα**  |
| F. Πεντάλ περιέλιξης καλωδίου   | R. Ασφαλής σύνδεση ακροφυσίου χαλιών και δαπέδου*  |
| G. Κάδος σκόνης   | S. Επιλογέας τύπου δαπέδου   |
| H. Σώμα κυκλών  | T. Πέλμα ακροφυσίου χαλιών και δαπέδου*  |
| I. Ανιχνευτής στροβίλου (Κόκκινο μεταλλικό)   | U. Πέλμα χαλιών και δαπέδων: <b>(GP)**</b>   |
| J. Καπάκι δοχείου σκόνης  | U1. Ακροφύσιο χαλιών <b>(CA)**</b>   |
| K. Σκανδάλη απασφάλισης πτερυγίου δοχείου σκόνης  | U2. Ακροφύσιο (στόμιο) για σκληρά δάπεδα <b>(HF)**</b>   |
| L. Κουμπί απασφάλισης καπακιού δοχείου σκόνης   | V. Φίλτρο πριν το μοτέρ  |
| M. Εύκαμπτος σωλήνας  | W. Φίλτρο απαγωγής   |
| N. Επάνω λαβή τηλεχειριστήριο ελέγχου με μαλακή λαβή*   | X. Ακροφύσιο Mini Turbo διπλής δράσης για τρίχες κατοικιδίων*  |
| N1. Κουμπιά ελέγχου μεταβλητής ισχύος   | Y. Ακροφύσιο Mini Turbo διπλής δράσης για αλλεργιογόνα*  |
| N2. Κουμπί ισχύος ήσυχης λειτουργίας  | Z. Ακροφύσιο επιπλέον φροντίδας παρκέ*   |
| N3. Πλήκτρο λειτουργίας (On/Off)  | AA. Ακροφύσιο φροντίδας παρκέ*   |
| N4. Ενδειξη μπαταρίας Led τηλεχειριστηρίου λαβής  | AB. Μακρύ εργαλείο 2 σε 1 *  |
| Na. Εξαρτήματα ολοκληρωμένα στη λαβή: Εργαλείο για σχισμές, Βούρτσα ξεσκονίσματος και Εργαλείο επίπλων* | AC. Εξάρτημα καθαρισμού επίπλων XL*  |

\*Μόνο ορισμένα μοντέλα \*\* Ενδέχεται να διαφέρει ανάλογα με το μοντέλο

### ΣΥΝΑΡΜΟΛΟΓΗΣΗ ΤΟΥ ΚΑΘΑΡΙΣΤΗ

Αφαιρέστε όλα τα εξαρτήματα από τη συσκευασία.

1. Συνδέστε τον εύκαμπτο σωλήνα στο κυρίως σώμα της σκούπας, διασφαλίζοντας ότι έχει κουμπώσει και ασφαλίσει στη σωστή θέση. Για να απελευθερώσετε τον σωλήνα: απλά πιέστε τα κουμπώματα στο άκρο του σωλήνα και τραβήξτε. **[1]**
2. Συνδέστε τη λαβή σωλήνα\*\* στο άνω άκρο του σωλήνα. **[2]**
3. Συνδέστε το κάτω άκρο του σωλήνα στο ακροφύσιο χαλιών και δαπέδου\*\* ή των αξεσουάρ αν χρειάζεται. **[3]**

### ΟΔΗΓΙΕΣ ΧΡΗΣΕΩΣ

1. Βγάλτε το καλώδιο ρεύματος και συνδέστε το σε μια πρίζα. Μην τραβάτε το καλώδιο πέραν της κόκκινης σήμανσης. **[4]**
2. Με την βοήθεια του μηχανισμού ρύθμισης ρυθμίστε το μήκος του τηλεσκοπικού σωλήνα σύμφωνα\*\* με τις ανάγκες σας για άνετη χρήση. **[5]**
3. Αφού συνδέσετε το κάτω άκρο του τηλεσκοπικού σωλήνα στο ακροφύσιο χαλιών και δαπέδου\*\* ή των αξεσουάρ αν χρειάζεται, πατήστε το πεντάλ επιλογής τύπου δαπέδου\* στο ακροφύσιο για να επιλέξετε τον ιδανικό τρόπο καθαρισμού για τον τύπο δαπέδου. **Σκληρά δάπεδα** – Οι βούρτσες χαμηλώνουν στο ανάλογο επίπεδο για να μην φθείρουν το δάπεδο. **Χαλί** – Οι βούρτσες ανασκάνονται για βαθύτερο καθαρισμό.

#### Πέλμα Δαπέδων & Χαλιών\*\* : [6]

- **Καθαρισμός σκληρών δαπέδων:** Πατήστε το πεντάλ\* στο ακροφύσιο στη λειτουργία σκληρών δαπέδων και ρυθμίστε το ακροφύσιο στην επιλογή ΟΛΑ ΤΑ ΔΑΠΕΔΑ. Σε αυτή τη θέση οι βούρτσες, οι τροχοί και η λεπίδα καθαρισμού κατεβαίνουν για την προστασία των σκληρών δαπέδων. **[6a]**

- **Κανονικός καθαρισμός χαλιών & μοκετών:** Πατήστε το πεντάλ\* στο ακροφύσιο στη λειτουργία χαλιών και ρυθμίστε το ακροφύσιο στην επιλογή ΟΛΑ ΤΑ ΔΑΠΕΔΑ. Σε αυτή τη θέση οι βούρτσες, οι τροχοί και η λεπίδα καθαρισμού κατεβαίνουν για ευκολία κίνησης σε αυτές τις επιφάνειες. **[6b]**

- **Βαθύς καθαρισμός χαλιών:** Πατήστε το πεντάλ στο ακροφύσιο στη λειτουργία χαλιών και ρυθμίστε το ακροφύσιο στην επιλογή ΒΑΘΥΣ ΚΑΘΑΡΙΣΜΟΣ ΧΑΛΙΩΝ. Σε αυτή τη θέση οι βούρτσες, οι τροχοί και η λεπίδα καθαρισμού ανεβαίνουν για βαθύτερο καθαρισμό του χαλιού σας. **[6c]**

**ΠΡΟΣΟΧΗ :** Συνιστάται για να αποφεύγετε πιθανότητα γδαρσίματος των ξύλινων δαπέδων το πεντάλ να μην έχει ρυθμιστεί στη λειτουργία σκληρού δαπέδου και το πέλμα στον βαθύ καθαρισμό χαλιών.

4. Ανάψτε τη σκούπα πατώντας το πεντάλ On/Off στο κύριο σώμα της σκούπας **[7]** ή πατώντας το κουμπί On/Off στη λαβή του σωλήνα\*. **[8]**

5. Ρυθμίστε το επίπεδο ισχύος περιστρέφοντας τα κουμπιά ελέγχου μεταβλητής ισχύος στη λαβή του σωλήνα\*. **[9]**

#### Επάνω λαβή χειρισμού με ρυθμίσεις\*:

- **Ανάψτε/σβήστε τη σκούπα:** Πατήστε το κουμπί on/off. **[8]**

- **Χειριστήριο μεταβολής της ισχύος:** Πατήστε τα κουμπιά "+, -" για να ρυθμίσετε την ισχύ. **[9]**

- **Ήσυχη λειτουργία:** Πατήστε το κουμπί σίγασης για να καθαρίσετε σχολαστικά με χαμηλότερη στάθμη θορύβου. **[10]**

#### εξαρτήματα ενσωματωμένα στη λαβή:

- **Ενσωματωμένο εργαλείο σχισμών :** Το άκρο της λαβής του σωλήνα μπορεί να χρησιμοποιηθεί σαν εργαλείο σχισμών για στενούς χώρους.



- **Εργαλείο επίπλων :** Πατήστε τα κλιπ και στις δύο πλευρές της λαβής και σύρετε προς τα κάτω για να απελευθερώσετε το εργαλείο επίπλων και να καθαρίσετε μαλακές επιφάνειες και υφάσματα (κουρτίνες, ταπεσαρίες). [11]
- **Βούρτσα Ξεσκονίσματος** Πατήστε τα κλιπ και στις δυο πλευρές της λαβής και σύρετε προς τα κάτω, μετά σπρώξτε τον συρόμενο διακόπτη μέχρι τέρμα για να απελευθερώσετε την ενσωματωμένη βούρτσα ξεσκονίσματος. Ιδανικό για σκληρές επιφάνειες (ράφια, πληκτρολόγια, σοβατεπί) [11]

#### Σύνθετη άνετη λαβή\*:

- **Ρυθμιστής αναρρόφησης :** Ρυθμίστε την ισχύ αναρρόφησης ανοίγοντας και κλείνοντας τη βαλβίδα αέρα στη λαβή. [12]

#### εξαρτήματα ενσωματωμένα στη λαβή :

- **Ενσωματωμένο εργαλείο σχισμών :** Το άκρο της λαβής του σωλήνα μπορεί να χρησιμοποιηθεί σαν εργαλείο σχισμών για στενούς χώρους.
- **Εργαλείο επίπλων :** Πατήστε τα κλιπ και στις δύο πλευρές της λαβής και σύρετε προς τα κάτω για να απελευθερώσετε το εργαλείο επίπλων και να καθαρίσετε μαλακές επιφάνειες και υφάσματα (κουρτίνες, ταπεσαρίες). [11]
- **Βούρτσα ξεσκονίσματος :** Πατήστε τα κλιπ και στις δυο πλευρές της λαβής και σύρετε προς τα κάτω, μετά σπρώξτε τον συρόμενο διακόπτη μέχρι τέρμα για να απελευθερώσετε την ενσωματωμένη βούρτσα ξεσκονίσματος. Ιδανικό για σκληρές επιφάνειες (ράφια, πληκτρολόγια, σοβατεπί) [11]

#### Βασική λαβή\*:

- **Ρυθμιστής αναρρόφησης :** Ρυθμίστε την ισχύ αναρρόφησης ανοίγοντας και κλείνοντας τη βαλβίδα αέρα στη λαβή. [12]
- **Ενσωματωμένο εργαλείο σχισμών :** Το άκρο της λαβής του σωλήνα μπορεί να χρησιμοποιηθεί σαν εργαλείο σχισμών για στενούς χώρους.

Απενεργοποιήστε στο τέλος της χρήσης πατώντας το πεντάλ On/Off ή το κουμπί On/Off στη λαβή του σωλήνα\*. Βγάλτε το φικ και τυλίξτε το καλώδιο πατώντας το πεντάλ τυλίγματος καλωδίου.

#### Αποθεση και αποθήκευση συσκευής

Ο σωλήνας μπορεί να στερεωθεί στο πίσω μέρος μέρος της σκούπας για αποθήκευση ή προσωρινά κατά τη διάρκεια της λειτουργίας της συσκευής. [13]

## ΕΞΑΡΤΗΜΑΤΑ

Για να πετύχετε τις καλύτερες επιδόσεις και απόδοση συνιστάται να χρησιμοποιείτε τα σωστά ακροφύσια για τις βασικές εργασίες καθαρισμού. Αυτά τα πέλματα απεικονίζονται στα σχέδια με τα γράμματα **GP**, **HF** ή **CA**.

Το πέλμα τύπου **GP** μπορεί να χρησιμοποιηθεί τόσο για τον καθαρισμό χαλιών όσο και πατωμάτων.

Το πέλμα τύπου **HF** είναι κατάλληλο για χρήση μόνο σε σκληρά δάπεδα .

Το ακροφύσιο τύπου **CA** είναι κατάλληλο για χρήση μόνο σε χαλιά

Τα υπόλοιπα ακροφύσια προορίζονται για ειδικές εργασίες καθαρισμού και πρέπει να χρησιμοποιούνται μόνο για το συγκεκριμένο σκοπό.

Όλα τα εξαρτήματα μπορούν να τοποθετηθούν στο άκρο της λαβής ή του εύκαμπτου σωλήνα.

**Ακροφύσιο διπλής δράσης για τρίχες κατοικίδιων\*** - Χρησιμοποιήστε το πέλμα μίνι τούρμπο για τις σκάλες ή για τον βαθύ καθαρισμό υφασμάτων επιφανειών και άλλων σημείων που καθαρίζονται δύσκολα. Ιδιαίτερα κατάλληλο για την απομάκρυνση τριχών κατοικίδιων. [X]

**Ακροφύσιο διπλής δράσης για αλλεργιογόνα\***– Χρησιμοποιήστε το πέλμα μίνι τούρμπο για τις σκάλες ή για το βαθύ καθαρισμό υφασμάτων επιφανειών και άλλων σημείων που καθαρίζονται δύσκολα, ιδιαίτερα κατάλληλο για την απομάκρυνση αλλεργιογόνων. [Y]

**Ακροφύσια επιπλέον φροντίδας και φροντίδας παρκέ\*** – Για παρκέ και άλλα ευαίσθητα δάπεδα. [Z(30cm), AA(25cm)]

**Μακρύ εργαλείο 2 σε 1\*** – Εργαλείο σχισμών και βούρτσα ξεσκονίσματος - Επιτρέπει να καθαρίζετε δύσκολα σημεία όπως ράφια και ψηλές γωνίες. [AB]

**Εξάρτημα καθαρισμού επίπλων XL\*** - Ιδανικό για τον καθαρισμό μαλακών επιφανειών όπως καναπέδες, στρώματα και ντιβάνια. [AC]

**ΕΠΙΣΗΜΑΝΣΗ:** Μη χρησιμοποιείτε τα πέλματα turbo και μίνι turbo σε χαλιά με μακριά κρόσσια, σε φλοκάτες και χαλιά με πέλος μεγαλύτερο των 15 χιλιοστών. Μην κρατάτε το ηλεκτρικό ακροφύσιο ακίνητο ενώ η βούρτσα περιστρέφεται.

## ΣΥΝΤΗΡΙΣΗ ΚΑΙ ΚΑΘΑΡΙΣΜΟΣ

### Αδειάστε το δοχείο σκόνης

Όταν η σκόνη φτάσει στην ανώτερη ένδειξη του δοχείου, αδειάστε το.

**ΕΠΙΣΗΜΑΝΣΗ:** Για βέλτιστη απόδοση μην αφήνετε τη σκόνη να υπερβεί τη μέγιστη ένδειξη.

1. Κλείστε τον καθαριστή από τον γενικό διακόπτη και βγάλτε το καλώδιο ρεύματος από τη πρίζα.
2. Πατήστε το κουμπί απελευθέρωσης του δοχείου σκόνης και αφαιρέστε το συγκρότημα κάδου από τον καθαριστή. [14]
3. Κρατήστε το δοχείο σκόνης με το ένα χέρι και πατήστε τη σκανδάλη απασφάλισης του πτερυγίου του δοχείου σκόνης. [17]
4. Κλείστε το πτερύγιο του δοχείου σκόνης και τοποθετήστε ξανά στο κύριο σώμα του καθαριστή. [14]

### Καθαρισμός των πλενόμενων φίλτρων

Η σκούπα είναι εξοπλισμένη με ένα φίλτρο πριν το μοτέρ και ένα φίλτρο εξόδου. Για να διατηρήσετε τη βέλτιστη απόδοση καθαρισμού, πρέπει να αφαιρείτε τακτικά τα φίλτρα και να τα χτυπάτε στο πλάι του δοχείου απορριμάτων για να απομακρύνετε τη σκόνη. Τα φίλτρα πρέπει να πλένονται κάθε 5 αδειάσματα του δοχείου ή όταν το φίλτρο έχει υπερβολική σκόνη.

**ΕΠΙΣΗΜΑΝΣΗ :** Όλες οι σκούπες χωρίς σακούλα απαιτούν συχνό καθαρισμό του φίλτρου. Η αποτυχία καθαρισμού των φίλτρων μπορεί να έχει σαν αποτέλεσμα την εμπλοκή αέρα, την υπερθέρμανση και την αστοχία του προϊόντος. Αυτό μπορεί να καταστήσει άκυρη την εγγύησή σας.

**ΕΠΙΣΗΜΑΝΣΗ :** Ελέγχετε και συντηρείτε τακτικά τα φίλτρα.

**ΕΠΙΣΗΜΑΝΣΗ :** Πρέπει να διασφαλίζετε πάντα ότι το σύστημα των φίλτρων είναι απόλυτα στεγνό πριν από τη χρήση.

### Για να βρείτε το φίλτρο:

1. Πατήστε το κουμπί απελευθέρωσης του δοχείου σκόνης και αφαιρέστε το συγκρότημα κάδου από τον καθαριστή. [14]
2. Κρατήστε το δοχείο σκόνης με το ένα χέρι και με το άλλο χέρι πατήστε το κουμπί απασφάλισης του καπακιού του δοχείου σκόνης για να ανοίξετε το καπάκι του δοχείου. [15]
3. Αφαιρέστε το φίλτρο πριν από το μοτέρ που βρίσκεται στο καπάκι του δοχείου. [18]
4. Τινάξτε απαλά και πλύνετε το φίλτρο πριν από το μοτέρ. Μη χρησιμοποιείτε καυτό νερό ή απορρυπαντικό. Απομακρύνετε τα υπολείμματα νερού από το φίλτρο και αφήστε το να στεγνώσει εντελώς πριν το ξαναχρησιμοποιήσετε. [21,22]
5. Επανασυναρμολογήστε το φίλτρο πριν από το μοτέρ στο καπάκι του δοχείου σκόνης αφού στεγνώσει τελείως και τοποθετήστε ξανά στον καθαριστή.

**ΕΠΙΣΗΜΑΝΣΗ :** Μη χρησιμοποιείτε το προϊόν εάν προηγουμένως δεν έχετε τοποθετήσει σωστά το σύστημα φίλτρων.

**Για πρόσβαση στο φίλτρο εξόδου:**

1. Ξεκλειδώστε το φίλτρο εξόδου πατώντας τα δύο κουμπιά και τραβώντας έξω από τον καθαριστή. [19]
2. Αφαιρέστε το πακέτο φίλτρων από την υποδοχή τους τραβώντας τον δακτύλιο του φίλτρου εξόδου. [20]
3. Χτυπήστε απαλά και πλύνετε τη μονάδα φίλτρων. Μη χρησιμοποιείτε καυτό νερό ή απορρυπαντικό. Απομακρύνετε την περίσσεια νερού από το φίλτρο και αφήστε το να στεγνώσει εντελώς πριν το χρησιμοποιήσετε. [21,22]
4. Επανασυναρμολογήστε το πακέτο φίλτρων και επανατοποθετήστε το στον καθαριστή μόλις στεγνώσει εντελώς, βάζοντας το στη θέση του και σπρώχνοντας το μέχρι τέρμα. [20]
5. Ασφαλίστε το κάλυμμα του φίλτρου εξόδου πατώντας στο άκρο με τα κλιπ, θα ακούσετε ένα κλικ όταν το κάλυμμα του φίλτρου εξόδου μπει στη θέση του. [19]

**ΕΠΙΣΗΜΑΝΣΗ :** Μη χρησιμοποιείτε το προϊόν εάν προηγουμένως δεν έχετε τοποθετήσει σωστά το σύστημα φίλτρων.

**Καθαρισμός του κάδου απορριμάτων / της μονάδας διαχωρισμού**

Η συσκευή χρησιμοποιεί ένα σύστημα διαχωρισμού, μοναδικό για την Hoover. Εάν χρειάζεται η μονάδα διαχωρισμού μπορεί να αποσυναρμολογηθεί από το δοχείο σκόνης και να καθαριστεί.

1. Πατήστε το κουμπί απελευθέρωσης του δοχείου σκόνης και αφαιρέστε το συγκρότημα κάδου από τον καθαριστή. [14]
2. Κρατήστε το δοχείο σκόνης με το ένα χέρι και με το άλλο χέρι πατήστε το κουμπί απασφάλισης του καπακιού του δοχείου σκόνης για να ανοίξετε το δοχείο σκόνης. [15]
3. Αφαιρέστε τον ανιχνευτή κυκλώνα (κόκκινο) από το σώμα του κυκλώνα. [16]
4. Αφαιρέστε το σώμα του κυκλώνα από το δοχείο σκόνης. [17]
5. Αν χρειάζεται χρησιμοποιήστε ένα πανί για να αφαιρέσετε την υπερβολική ποσότητα σκόνης από την επιφάνεια του κόκκινου ανιχνευτή στροβίλου και το σώμα κυκλώνα.
6. Τοποθετήστε το δοχείο σκόνης κάτω από τη βρύση. [21] Ξεπλύνετε με χλιαρό νερό. Πλύντε τις εσωτερικές επιφάνειες του κάδου μόνο με νερό. ΜΗ χρησιμοποιήσετε απορρυπαντικά σαπουνιού για να πλύνετε το εσωτερικό του κάδου.
7. Επανασυναρμολογήστε τα εσωτερικά εξαρτήματα στο δοχείο σκόνης, εξασφαλίζοντας ότι όλα τα εξαρτήματα είναι στεγνά.
8. Κλείστε το καπάκι του δοχείου σκόνης και επανατοποθετήστε το συγκρότημα του δοχείου σκόνης στον καθαριστή.

**Απομάκρυνση σκουπιδιού**

1. Ελέγξτε εάν το δοχείο σκόνης είναι γεμάτο. Εάν ναι, ανατρέξτε στην ενότητα «Άδειασμα του δοχείου σκόνης».
2. Αν το δοχείο σκόνης είναι άδειο, αλλά η απορρόφηση εξακολουθεί να είναι χαμηλή:
  - A. Μήπως χρειάζονται καθαρίσματα τα φίλτρα; Εάν ναι, ανατρέξτε στην ενότητα «Καθαρισμός των πλενόμενων φίλτρων».
  - B. Ελέγξτε εάν έχει φράξει κάπου αλλού το σύστημα - Χρησιμοποιήστε μια ράβδο ή ένα κοντάρι για να αφαιρέσετε τυχόν σκουπίδια από το σωλήνα επέκτασης ή από τον εύκαμπτο σωλήνα.
  - C. Ελέγξτε εάν είναι τοποθετημένο το φίλτρο πριν το μοτέρ
  - D. Ελέγξτε εάν η μονάδα διαχωρισμού χρειάζεται καθαρισμό. Ανατρέξτε στην ενότητα «Καθαρισμός της μονάδας διαχωρισμού».

**Αντικατάσταση μπαταρίας τηλεχειριστηρίου λαβής\* [23]**

Αν το τηλεχειριστήριο στη λαβή δεν αποκρίνεται όταν πατάτε τα κουμπιά, αλλάξτε τη μπαταρία:

1. Χρησιμοποιήστε κατσαβίδι για να βγάλετε το τηλεχειριστήριο από τη λαβή.
2. Βγάλτε τη μπαταρία σπρώξτε στο πλάι το κλιπ, βγάλτε τις παλιές μπαταρίες και αντικαταστήστε και μετά βάλτε ξανά το κλιπ. Χρησιμοποιείτε μόνο μπαταρίες λιθίου τύπου CR2032 3V.

**ΛΙΣΤΑ ΕΛΕΓΧΟΥ ΧΡΗΣΤΗ**

Εάν αντιμετωπίσετε πρόβλημα με το προϊόν, πριν απευθυνθείτε στις υπηρεσίες τεχνικής υποστήριξης Τεχνική Υποστήριξη Hoover, κάντε τους ελέγχους που ακολουθούν.

- Υπάρχει ρεύμα στην πρίζα που έχει συνδεθεί η ηλεκτρική σκούπα; Ελέγξτε το με κάποια άλλη ηλεκτρική συσκευή.
- Είναι το δοχείο σκόνης υπερβολικά γεμάτο; Ανατρέξτε στην ενότητα «Συντήρηση σκούπας».
- Είναι φραγμένο το φίλτρο; Ανατρέξτε στην ενότητα «Συντήρηση σκούπας».
- Είναι φραγμένο το πέλμα ή ο εύκαμπτος σωλήνας; Ανατρέξτε στο κεφάλαιο «Απομάκρυνση σκουπιδιού από το σύστημα».
- Μήπως υπερθερμάνθηκε η σκούπα; Εάν ναι, η αυτόματη επαναφορά θα διαρκέσει περίπου 30 λεπτά.
- Δεν αποκρίνεται το τηλεχειριστήριο στη λαβή; Ανατρέξτε στην "Αντικατάσταση μπαταρίας τηλεχειριστηρίου λαβής".

**ΣΗΜΑΝΤΙΚΕΣ ΠΛΗΡΟΦΟΡΙΕΣ****Ανταλλακτικά και αναλώσιμα Hoover**

Όταν παραστεί η ανάγκη χρησιμοποιείτε αποκλειστικά γνήσια ανταλλακτικά Hoover. Τα ανταλλακτικά Hoover διατίθενται από τον τοπικό αντιπρόσωπο Hoover ή απευθείας από τη Hoover. Κατά την παραγγελία εξαρτημάτων να αναφέρετε πάντα τον αριθμό μοντέλου.

**Τεχνική Υποστήριξη Hoover**

Όποτε χρειαστεί να γίνει κάποια επισκευή στη συσκευή σας, επικοινωνήστε με το πλησιέστερο κέντρο τεχνικής υποστήριξης Gias Service

**Ποιότητα**

BSI ISO 9001: Τα εργοστάσια Hoover έχουν ελεχθεί από ανεξάρτητους φορείς ποιοτικού ελέγχου. Τα προϊόντα μας κατασκευάζονται μέσω ενός συστήματος ποιότητας το οποίο πληροί τις προδιαγραφές του προτύπου ISO 9001.

**Η εγγύησή σας**

Οι όροι ισχύος της εγγύησης της συσκευής καθορίζονται από τον αντιπρόσωπο της χώρας στην οποία έχει πραγματοποιηθεί η πώληση. Περισσότερες πληροφορίες σχετικά με τους όρους εγγύησης μπορείτε να ζητήσετε από τον αντιπρόσωπο που αγοράσατε τη συσκευή. Η προσκόμιση του τιμολογίου ή της απόδειξης αγοράς είναι βασική προϋπόθεση για την ισχύ της εγγύησης.

Ο κατασκευαστής διατηρεί το δικαίωμα να επιφέρει αλλαγές χωρίς προγενέστερη ενημέρωση.

## ИНСТРУКЦИИ ПО БЕЗОПАСНОМУ ИСПОЛЬЗОВАНИЮ

Данный прибор предназначен только для домашнего использования в соответствии с описанием, приведенным в настоящем Руководстве пользователя. Прежде чем приступить к эксплуатации данного бытового электроприбора, убедитесь в том, что вы понимаете настоящее руководство.

Не оставляйте прибор включенным в розетку. После использования или перед очисткой или обслуживанием всегда вынимайте вилку из розетки.

Дети старше восьми лет, а также лица со сниженным физическим, сенсорным или умственным развитием или отсутствием опыта или знаний об устройстве могут использовать устройство под присмотром или если они должным образом проинструктированы о безопасном использовании устройства и понимают риски, которые может повлечь собой его использование. С устройством не должны играть дети.

Не следует допускать детей к очистке и обслуживанию прибора без присмотра взрослых.

Если провод питания поврежден, немедленно отключите прибор. Во избежание угрозы безопасности замену провода питания должен проводить только мастер авторизованной сервисной службы HOOVER.

Не приближайте вращающиеся щетки к рукам, ногам, болтающейся одежде и волосам.

Используйте только те насадки, расходные материалы или запасные части, которые рекомендует или поставляет HOOVER.

**Статическое электричество:** В процессе чистки ковров некоторых видов может образовываться статическое электричество. Разряд статического электричества не представляет опасности для здоровья.

Не применяйте прибор вне помещений, на влажных поверхностях или для сбора жидкостей.

Не используйте прибор для сбора острых предметов, спичек, горячего пепла, окурков или аналогичных объектов.

Не распыляйте или не собирайте горючие жидкости, чистящие средства, аэрозоли или прочие пары.

Не перевозите свой прибор через провод питания и не тяните за провод, вынимая вилку из розетки.

В случае неисправности не следует продолжать пользоваться прибором.

Не стойте на проводе и не наматывайте его на руку или ногу в процессе использования прибора.

Не пользуйтесь прибором для очистки животных или людей.

Не размещайте прибор над собой во время уборки лестниц.

**Храните батарейки в недоступных для детей местах.**

**В случае проглатывания батарейки немедленно обратитесь к врачу.**

Разряженные батарейки следует извлечь из устройства и утилизировать.

Если прибор не планируется использовать на протяжении длительного периода времени, рекомендуется извлечь из него батарейки.

При необходимости утилизации прибора, выньте из него аккумуляторы.

Вынимая аккумуляторы, отключите прибор от электросети.

Соблюдайте правила техники безопасности при утилизации аккумуляторов.

CR2032 3V Используйте только литиевые батарейки типа (не аккумуляторные батарейки).

“+”. При установке батареек следует соблюдать полярность: верхняя сторона имеет положительный полюс [23]

Не заряжайте батарейки не аккумуляторного типа.

Не замыкайте клеммы батареек.

**Сервисная служба HOOVER:** Для гарантии безопасной и надежной работы данного прибора мы рекомендуем приглашать авторизованных инженеров сервисной службы HOOVER для выполнения технического обслуживания и ремонта.

### Окружающая среда:

Символ на данном приборе указывает на то, что его нельзя утилизировать вместе с бытовыми отходами. Его необходимо сдавать в соответствующий пункт приема для дальнейшей переработки электрических и электронных частей. Утилизация должна проводиться в соответствии с местными природоохранными правилами по утилизации отходов. За более подробной информацией по обращению с данным прибором, его утилизации и переработке обратитесь в местные органы власти, в службу утилизации отходов или в магазин, где вы приобрели данный прибор.



**Hi-Controller** Для моделей с пультом дистанционного управления

Диапазон частот	300Mhz ~ 450Mhz
Максимальная мощность РЧ сигнала в пределах частотного диапазона	11 dBm

CE 2011/65/EU и 2014/53/EU заявляет, что все приборы отвечают ключевым нормам и требованиям Директив Candy Hoover Group Srl www.candy-group.com Для получения копии Сертификата соответствия, свяжитесь, пожалуйста, с производителем:

**Для других моделей:**

CE Данный прибор отвечает требованиям Европейских Директив 2014/35/EU, 2014/30/EU и 2011/65/EU.

CANDY HOOVER GROUP S.r.l. Via Privata Eden Fumagalli, 20861 Brugherio (MB) Italy

**ЗНАКОМСТВО С ВАШИМ ПЫЛЕСОСОМ**

- A. Контейнер для сбора пыли
- B. Корпус пылесоса
- C. Кнопка Вкл./Выкл.
- D. Посадочное место
- E. Кнопка спуска защелки контейнера для сбора пыли
- F. Кнопка катушки с проводом
- G. Пылесборник
- H. Корпус циклона
- I. Сливная насадка (Красный металл)
- J. Крышка контейнера для сбора пыли
- K. Спуск защелки откидной крышки
- L. Кнопка спуска защелки крышки контейнера для сбора пыли
- M. Шланг
- N. Hi-Controller Мягкая рукоятка пульта\*
- N1. Кнопки управления мощностью
- N2. Кнопка тихого режима работы
- N3. Кнопка "Сеть"
- N4. Индикатор уровня заряда батарейки на ручке пульта дистанционного питания
- Na. Встроенные в ручку насадки: щелевая насадка, щетка для удаления пыли и мебельная щетка\*
- O. Ручка с мягкой рукояткой и расширенным функционалом: регулировка мощности всасывания и встроенные насадки: щелевая насадка, щетка для удаления пыли и мебельная щетка\* (Na.Cm)
- P. Ручка с мягкой рукояткой: регулировка мощности всасывания и щелевая насадка\*
- Q. Телескопическая труба\*\*
- Q1. Защищенное соединение телескопической трубы\*
- Q2. Регулятор телескопической трубы\*\*
- R. Защищенное соединение насадки для уборки пола и ковровых покрытий\*
- S. Педаль выбора поверхности
- T. Ползунок насадки для ковров и твердого покрытия\*
- U. Насадка для чистки ковров и пола (GP)\*\*
- U1. Насадка для ковров (CA)\*\*
- U2. Насадка для твердых покрытий (HF)\*\*
- V. Промываемый фильтр
- W. Выпускной фильтр
- X. Мини насадка для уборки шерсти животных\*
- Y. Мини насадка для уборки аллергенов\*
- Z. Щетка для ухода за паркетом\*
- AA. Щетка для уборки паркетных полов\*
- AB. Длинная щетка 2 в 1 \*
- AC. Щетка для мебели XL\*

\*Только у конкретных моделей \*\* Могут различаться в зависимости от модели

**СБОРКА ПЫЛЕСОСА**

Извлеките составные части пылесоса из упаковки.

1. Присоедините шланг к корпусу пылесоса, следя за тем, чтобы он вошёл в гнездо и встал в правильном положении. Отсоединение трубки: просто нажмите на фиксаторы на конце трубки и потяните [1]
2. Установите ручку трубки\*\* на верхний конец трубки. [2]
3. Установите на другой конец трубки насадку для уборки поверхности пола или ковровых покрытий\*\* или, при необходимости, другие аксессуары. [3]

**ЭКСПЛУАТАЦИЯ ПЫЛЕСОСА**

1. Извлеките шнур питания и подключите вилку шнура к розетке электропитания. Запрещается вытягивать шнур далее красной отметки! [4]
2. Отрегулируйте телескопическую трубу до нужной высоты повернув регулятор\*\*, и поднимите или опустите трубу до наиболее удобного положения чистки. [5]
3. После присоединения к телескопической трубе насадки для уборки пола и ковровых покрытий\*\* или других аксессуаров, нажмите на переключатель выбора типа пола\* на насадке, в соответствии с типом убираемой поверхности. **Твердое напольное покрытие** – Для защиты напольного покрытия щетки опущены **Ковровое покрытие** – Для более глубокой очистки щетки подняты.

**Насадка для пола и ковров\*\*:** [6]

- **Уборка твердых напольных покрытий:** Переведите педаль на насадке в режим уборки твердых напольных покрытий и установите ползунок на насадке в положение ВСЕ ТИПЫ ПОЛОВ. В этом положении щетки, колесики и скребок опускаются для защиты твердого напольного покрытия. [6a]

- **Стандартная уборка ковров и ковровых покрытий:** Переведите педаль на насадке в режим уборки ковров и установите ползунок на насадке в положение ВСЕ ТИПЫ ПОЛОВ. В таком положении щетки и скребок подняты, а колесики опущены, чтобы облегчить движение по поверхности данного типа. [6b]

- **Глубокая чистка ковров:** Переведите педаль на насадке в режим уборки ковров и установите ползунок на насадке в положение ГЛУБОКАЯ ЧИСТКА ПОЛОВ. В этом положении щетки, колесики и скребок подняты для более глубокой очистки ковра. [6c]

**ВНИМАНИЕ:** Чтобы не поцарапать деревянные полы, не используйте для уборки насадку с педалью, установленной не в положении для твердых полов, и с ползунком в положении для глубокой чистки ковров.

4. Включите пылесос, нажав на переключатель Вкл./Выкл. на корпусе пылесоса [7] или на переключатель Вкл./Выкл. на рукоятке\*. [8]

5. Отрегулируйте мощность всасывания с помощью кнопки управления на рукоятке\*. [9] **с настройками Hi-Controller Рукоятка\*:**

- **:Включение и выключение пылесоса.** Выкл./Нажмите на кнопку Вкл. [8]

- **:Управление мощностью** для регулирования мощности "+, -" Используйте кнопки [9]

- **Режим тихой работы:** .Нажмите на кнопку для включения тихого режима работы [10]

**:Встроенные насадки**

- **Встроенная щелевая насадка :** .Используйте конец ручки шланга для уборки в труднодоступных местах

- **Мебельная насадка :** . и сместите ручку, чтобы задействовать мебельную насадку для очистки текстильных (шторы, обивки) и других мягких поверхностей, расположенных по бокам мручки, Нажмите на фиксаторы [11]

- **Щетка для удаления пыли:** сместите ручку и переведите ползунок в конечное

положение, чтобы задействовать встроенную щетку для уборки пыли, расположенные по бокам ручки, Нажмитенафиксаторы ).клавиатуры, плинтуса, книжные полки (Идеально подходит для очистки твердых поверхностей [11]

#### Удобная рукоятка с расширенным набором функций\*:

- **Регулятор всасывания** : Регулировка мощности всасывания регулируется путем открутия или закрытия воздушного клапана на рукоятке [12]

#### Встроенные в рукоятку насадки :

- **Встроенная щелевая насадка** : Используйте конец ручки шланга для уборки в труднодоступных местах
- **Мебельная насадка** : и сместите ручку, чтобы задействовать мебельную насадку для очистки текстильных (шторы, обивки) и других мягких поверхностей, расположенных по бокам ручки, Нажмитенафиксаторы [11]
- **Щетка для удаления пыли** : Конечная трубка может использоваться для уборки в труднодоступных местах ).клавиатуры, плинтуса, книжные полки (Идеально подходит для очистки твердых поверхностей [11]

#### Стандартная рукоятка\*:

- **Регулятор всасывания** : Регулировка мощности всасывания регулируется путем открутия или закрытия воздушного клапана на рукоятке [12]
- **Встроенная щелевая насадка** : Используйте конец ручки шланга для уборки в труднодоступных местах

на пылесосе или на рукоятке\*..Выкл./Выключение осуществляется с помощью переключателя Вкл Отключите пылесос от сети питания и снимите шнур, нажав на педаль сматывания.

#### Положения остановки и хранения

Если вы не пользуетесь пылесосом, трубу можно оставить в положении для временного или постоянного хранения. [13]

## ДОПОЛНИТЕЛЬНЫЕ ПРИСПОСОБЛЕНИЯ И ПРИНАДЛЕЖНОСТИ

Для достижения лучшей производительности и эффективности рекомендуется правильно использовать насадки для основных операций уборки. Эти насадки обозначены на схеме буквами **GP**, **HF** или **CA**.

Насадку типа **GP** можно использовать для очистки как ковров, так и твердых напольных покрытий.

Насадка типа **HF** подходит только для твердых напольных покрытий.

Насадка типа **CA** подходит только для ковров.

Прочие насадки являются аксессуарами для особых видов уборки и рекомендуются для использования только в определенных случаях.

Все принадлежности могут быть установлены на рукоятке шланга или на конце телескопической трубы.

**Насадка для уборки шерсти животных\*** - Мини турбо щетка предназначена для чистки лестниц или глубокой очистки тканевых поверхностей и других труднодоступных для чистки мест. Особенно подходит для удаления шерсти животных. [X]

**Насадка для уборки аллергенов\*** - Используйте мини-турбонасадку для чистки лестниц или глубокой очистки тканевых поверхностей и других сложных покрытий, особенно подходит для удаления аллергенов. [Y]

**Насадки для уборки паркетных полов\*** - Для паркетных полов и других напольных

покрытий, требующих осторожного обращения. [Z(30cm) , AA(25cm)]

**Длинная щетка 2 в 1\*** - Щелевая насадка и насадка для уборки пыли - в углах и на книжных полках, например, Удобная щетка для уборки в труднодоступных местах [AB]

**Щетка для мебели XL\*** - . кровати и матрасов, обивки диванов, Идеальная насадка для уборки мягких поверхностей [AC]

**ВНИМАНИЕ!** Запрещается использование мини турбонасадки на коврах с длинной бахромой, на шкурах животных и на коврах с ворсом длиннее 15 мм. Во время вращения щетки не следует держать насадку без действия.

## ТЕХНИЧЕСКОЕ ОБСЛУЖИВАНИЕ ПЫЛЕСОСА

### Очистка пылесборника

При наполнении пылесборника до максимального уровня, указанного на контейнере, необходимо произвести его очистку.

**ВНИМАНИЕ!** Для поддержания оптимальной производительности не следует допускать накопления пыли выше максимального уровня.

1. Отключите пылесос с помощью главного выключателя и выньте шнур питания из розетки.
2. Нажмите кнопку спуска контейнера для сбора пыли и выньте его из пылесоса. [14]
3. Удерживая контейнер для сбора пыли одной рукой, другой нажмите на спуск защелки откидной крышки. [17]
4. Закройте откидную крышку и установите контейнер назад в пылесос. [14]

### Очистка мощных фильтров

Снимите решетку выпускного канала, расположенную в задней части устройства для уборки. Для поддержания оптимальной эффективности уборки регулярно снимайте фильтры и простукивайте по стенке контейнера, чтобы удалить пыль. Фильтры следует промывать после 5 опорожнений пылесборника, а также в случае избыточного накопления пыли.

**ВНИМАНИЕ!** Фильтры всех безмешочных вариантов пылесосов нуждаются в регулярной очистке. Если фильтры не чистятся, это может привести к блокировке воздушного потока, перегреву и поломке пылесоса. Это может привести к аннулированию вашей гарантии.

**ВНИМАНИЕ!** Регулярно проверяйте фильтры и производите их чистку.

**ВНИМАНИЕ!** Убедитесь в том, что фильтр перед использованием просушен.

### Чтобы вынуть фильтры:

1. Нажмите кнопку спуска контейнера для сбора пыли и выньте его из пылесоса. [14]
2. Удерживая контейнер для сбора пыли одной рукой, другой рукой нажмите на кнопку спуска защелки крышки контейнера и откройте крышку. [15]
3. Выньте промываемый фильтр, вставленный в крышку контейнера. [18]
4. Аккуратно простучите и промойте фильтр. Запрещается промывка горячей водой или моющими средствами. Отожмите паралоновый фильтр и оставьте его для просушки перед повторным использованием. [21,22]
5. После того, как фильтр полностью просохнет, установите его на место в крышку и верните контейнер в пылесос.

**ВНИМАНИЕ!** Использование пылесоса без установленного в него фильтра запрещено!

**Для извлечения выходного фильтра выполните следующие действия:**

1. Откройте дверцу вытяжного фильтра, нажав две кнопки и потянув наружу из главного корпуса. [19]
2. Выньте блок фильтра из углубления, потянув за кольцо на вытяжном фильтре. [20]
3. Аккуратно простучите и промойте блок фильтра. Запрещается промывка горячей водой или моющими средствами. Удалите излишки воды с фильтра и дайте ему полностью высохнуть перед использованием. [21,22]
4. Установите блок фильтра обратно, после того как он полностью просохнет, и вставьте на место в пылесосе, прижав до полной посадки. [20]
5. Зафиксируйте вытяжной фильтр, прижав кромку с клипсами. При посадке дверцы фильтра на место вы услышите характерный щелчок. [19]

**ВНИМАНИЕ!** Использование пылесоса без установленного в него фильтра запрещено!

**Очистка пылесборника / Очистка отделения**

В пылесосах Hoover используется уникальная система фильтрации. При необходимости данное отделение можно снять и промыть.

1. Нажмите кнопку спуска контейнера для сбора пыли и выньте его из пылесоса. [14]
2. Для извлечения бака для пыли нажмите на кнопку извлечения бака, одновременно придерживая емкость для пыли рукой [15]
3. Снимите сливную воронку (красного цвета) с корпуса циклона. [16]
4. Снимите циклон с контейнера для сбора пыли. [17]
5. При необходимости с помощью салфетки удалите излишки пыли с красной сливной воронки и поверхности корпуса циклона.
6. Поставьте контейнер для сбора пыли под водопроводный кран. [21] Ополосните теплой водой. Внутренние поверхности промойте простой водой. Запрещается использование мыльных растворов для мытья внутренних поверхностей пылесборника.
7. Установите на место внутренние компоненты контейнера для сбора пыли, предварительно убедившись, что все они полностью просохли.
8. Закройте крышку контейнера и верните его на место в пылесос.

**Устранение засоров**

1. Убедитесь, что пылесборник заполнен. Если так, см. раздел «Очистка пылесборника».
2. Если пылесборник пуст, а всасывание остается низким:
  - A. Требуется ли прочистить фильтры? Если да, см. раздел «Очистка моющихся фильтров».
  - B. Убедитесь в отсутствии других засоров в пылесосе. - При помощи стержня или палки прочистите телескопическую трубу или гибкий шланг.
  - C. Убедитесь в пригодности предмоторного фильтра.
  - D. Проверьте не нуждается ли сепаратор в очистке. См. раздел 'Очистка отделения'.

**Замена батарейки ручки дистанционного управления\* [23]**

:Если кнопка на ручке управления перестала реагировать на нажатие, попробуйте заменить батарейку

1. Открутите пульт с помощью отвертки
2. для батарейки. изакройте отсек, замените старую батарейку новой. Для замены батарейки открутите отсек CR2032 3V. Используйте только литиевые батарейки типа

**АНКЕТА ПОЛЬЗОВАТЕЛЯ**

Если у Вас возникли затруднения в ходе эксплуатации пылесоса, попробуйте установить причины мелких неполадок перед обращением в местный сервисный центр продукции Hoover.

- Подается ли электричество к пылесосу? Проверьте наличие электричества с помощью любого электрического прибора.
- Не переполнен ли пылесборник? См. раздел «Техническое обслуживание пылесоса».
- Не засорился ли фильтр? См. раздел «Техническое обслуживание пылесоса».
- Не засорились ли шланг или насадка? См. раздел «Устранение засоров в системе».
- Не перегрелся ли пылесос? Если это так, примерно через 30 минут он снова станет работоспособным.
- ?Пульт дистанционного управления не реагирует на нажатие кнопок. »Замена батарейки пульта дистанционного управления вручную.» См

**ВАЖНАЯ ИНФОРМАЦИЯ****Запасные части и расходные материалы компании Hoover**

При замене частей используйте только оригинальные запасные части и расходные материалы компании Hoover. Их можно приобрести у вашего местного дилера компании Hoover или непосредственно в компании Hoover. При оформлении заказа на запасные части обязательно указывайте номер модели пылесоса.

**Сервисное обслуживание компании Hoover**

В случае необходимости сервисного обслуживания пылесоса позвоните в местный сервисный центр продукции Hoover.

**Требования к качеству продукции**

BSI ISO 9001: Заводы компании Hoover прошли независимую оценку на предмет соблюдения требований к качеству выпускаемой продукции. Наша продукция изготавливается с применением системы качества, удовлетворяющей требованиям стандарта ISO 9001.

**Ваша гарантия**

Условия гарантии для данного бытового электрического прибора определяются нашим представительством в той стране, в которой этот электроприбор был куплен. Более подробную информацию об этих условиях вы можете получить от нашего дилера. При предъявлении претензий по условиям данных гарантийных обязательств необходимо предъявить чек или квитанцию на проданный товар.

Изменения могут быть внесены без предварительного уведомления.

## INSTRUKCJE BEZPIECZNEGO UŻYTKOWANIA

Urządzenie to jest przeznaczone wyłącznie do użytku domowego w sposób opisany w niniejszej instrukcji użytkownika. Prosimy o dokładne zapoznanie się z instrukcją przed rozpoczęciem używania odkurzacza.

Nie pozostawiać urządzenia podłączonego do gniazdka zasilającego. Należy zawsze wyłączać urządzenie i wyjmować wtyczkę przewodu zasilającego z gniazdka po zakończeniu użytkowania, a także przed przystąpieniem do czyszczenia lub wykonywania jakichkolwiek czynności konserwacyjnych.

Urządzenie mogą obsługiwać dzieci w wieku co najmniej 8 lat, osoby o ograniczonych zdolnościach fizycznych, sensorycznych lub mentalnych, a także osoby nieposiadające odpowiedniego doświadczenia oraz wiedzy, jedynie pod warunkiem że odbywać się będzie to pod nadzorem lub po przeszkoleniu na temat bezpiecznego użycia urządzenia oraz związanych z nim zagrożeń. Dzieci nie mogą bawić się urządzeniem.

Urządzenia nie powinny czyścić ani konserwować dzieci bez nadzoru.

Jeśli przewód zasilający uległ uszkodzeniu, należy natychmiast zaprzestać korzystania z urządzenia. Ze względów bezpieczeństwa przewód zasilający powinien być wymieniany wyłącznie przez serwisanta autoryzowanego punktu serwisowego HOOVER.

Nie zbliżać rąk, stóp, luźnej odzieży ani włosów do obracających się szczotek.

Należy korzystać wyłącznie z końcówek, materiałów eksploatacyjnych oraz części zamiennych zalecanych lub dostarczonych przez firmę HOOVER.

**Ładunki elektrostatyczne:** Odkurzanie niektórych dywanów może powodować niewielkie naelektryzowanie się odkurzacza. Tego rodzaju ładunki elektrostatyczne nie stanowią zagrożenia dla zdrowia.

Nie używać urządzenia na zewnątrz domu, do odkurzania mokrych powierzchni ani do zbierania wody.

Nie wolno wciągać twardych lub ostrych przedmiotów, zapalek, gorącego popiołu, niedopałków papierosów ani innych podobnych przedmiotów.

Nie spryskiwać łatwopalnymi cieczami, środkami czyszczącymi w aerozolu ani parą.

Nie stąpać po przewodzie zasilającym podczas korzystania z urządzenia i nie wyjmować wtyczki, ciągnąc za przewód zasilający.

Nie kontynuować eksploatacji uszkodzonego urządzenia.

Nie stawać na przewodzie zasilającym i nie owijać go sobie wokół rąk lub nóg podczas korzystania z urządzenia.

Nie używać urządzenia do odkurzania ludzi lub zwierząt.

Nie ustawiać urządzenia powyżej swojego poziomu podczas odkurzania schodów.

**Przechowywać baterie w miejscu niedostępnym dla dzieci. W razie połamania baterii bezzwłocznie skontaktować się z lekarzem.**

Wyczerpane baterie należy wyjąć z urządzenia i w bezpieczny sposób usunąć.

Jeśli urządzenie będzie przechowywane przez długi czas i nie będzie używane, należy wyjąć z niego baterie i bezpiecznie przechować.

Jeżeli urządzenie ma być złomowane, należy z niego najpierw usunąć akumulatory.

Podczas wyjmowania akumulatora urządzenie musi być odłączone od zasilania.

Akumulatory należy utylizować w sposób bezpieczny dla środowiska.

Używać tylko baterii litowych CR2032 3V. Baterie nie są przeznaczone do ponownego ładowania.

Baterie należy wkładać, zwracając uwagę na prawidłowe ułożenie biegunów. Biegun dodatni ”+” powinien być u góry. **[23]**

Baterie nie nadają się do ponownego ładowania.

Nie wolno dopuszczać do zwarcia styków baterii.

**Serwis firmy HOOVER:** Aby zapewnić bezpieczne i sprawne działanie tego urządzenia, zalecamy zlecenie prac serwisowych lub napraw wyłącznie serwisantom autoryzowanego punktu serwisowego firmy HOOVER.

Dla modeli z pilotem zdalnego sterowania:

Pasma częstotliwości	300Mhz ~ 450Mhz
Maksymalna moc sygnału radiowego przenoszonego w paśmie częstotliwości	11 dBm

## Ochrona środowiska

Symbol umieszczony na urządzeniu oznacza, że nie jest ono klasyfikowane jako odpad z gospodarstwa domowego. Urządzenie należy zdać w odpowiednim punkcie utylizacji w celu recyklingu komponentów elektrycznych i elektronicznych. Urządzenie należy złomować zgodnie z lokalnymi przepisami w sprawie utylizacji odpadów. Dodatkowe informacje na temat sposobu utylizacji, złomowania i recyklingu urządzenia można uzyskać w lokalnym urzędzie miejskim, w komunalnym zakładzie utylizacji odpadów lub w sklepie, w którym produkt został zakupiony.



Candy Hoover Group Srl niniejszym oświadcza, że urządzenie oznaczone znakiem spełnia podstawowe wymogi Dyrektyw 2014/53/UE oraz 2011/65/UE. Aby otrzymać kopię deklaracji zgodności, proszę skontaktować się z producentem na stronie: [www.candy-group.com](http://www.candy-group.com)

### Dla wszystkich pozostałych modeli:

Urządzenie spełnia wymogi dyrektyw europejskich 2014/35/WE, 2014/30/WE oraz 2011/65/WE.

CANDY HOOVER GROUP S.r.l. Via Privata Eden Fumagalli, 20861 Brugherio (MB) Italy

## ELEMENTY ODKURZACZA

- |   |   |
|---|---|
| A. Zestaw pojemnika na kurz             | komfortie z miękkim chwytem, regulator          |
| B. Obudowa główna odkurzacza            | mocy ssania oraz zintegrowane akcesoria:        |
| C. Pedał wł./wył.                       | ssawka do szczelin, szczotka do kurzu           |
| D. Gniazdo blokujące                    | i ssawka do mebli.* (Patrz „Na”)                |
| E. Przycisk zwalniający                 | P. Podstawowy uchwyt z miękkim                  |
| pojemnik na kurz                        | chwytem, regulator mocy ssania oraz             |
| F. Pedał zwijania przewodu              | zintegrowana ssawka do szczelin.*               |
| G. Pojemnik na kurz                     | Q. Rura teleskopowa**                           |
| H. Obudowa cyklonu                      | Q1. Bezpieczna szybkozłączka rury teleskopowej* |
| I. Rurka wirowa ( Czerwona              | Q2. Regulacja rury teleskopowej**               |
| metaliczna )                            | R. Bezpieczna szybkozłączka                     |
| J. Pokrywa pojemnika na kurz            | szczotki uniwersalnej*                          |
| K. Przycisk zwolnienia klapki           | S. Przetłącznik typu podłogi                    |
| pojemnika na kurz                       | T. Szczotka do dywanów i podłóg z suwakiem      |
| L. Przycisk zwolnienia pokrywy          | do ustawiania pozycji ssawki*                   |
| pojemnika na kurz                       | U. Szczotka dywanowo-podłogowa (GP)**           |
| M. Wąż                                  | U1. Ssawka do dywanów (CA)**                    |
| N. Uchwyt pilota Hi-Controller          | U2. Ssawka do twardych podłóg (HF)**            |
| z miękkim chwytem*                      | V. Filtr przed silnikiem                        |
| N1. Przyciski płynnej regulacji mocy    | W. Filtr wylotowy                               |
| N2. Przycisk cichej pracy               | X. Turboszczotka mini o podwójnym działaniu     |
| N3. Wyłącznik                           | do usuwania sierści zwierząt*                   |
| N4. LED-owy wskaźnik baterii            | Y. Turboszczotka mini o podwójnym               |
| na uchwycie pilota                      | działaniu do usuwania alergenów*                |
| Na. Zintegrowane akcesoria na uchwycie: | Z. Szczotka Extra Care do parkietów*            |
| ssawka do szczelin, szczotka            | AA. Szczotka Care do parkietów.*                |
| do kurzu i ssawka do mebli.*            | AB. Długa końcówka 2w1 *                        |
| O. Uchwyt o zwiększonym                 | AC. Szczotka XL do mebli*                       |

\*Tylko w niektórych modelach \*\*W zależności od modelu.

## MONTAŻ ODKURZACZA

Wymij wszystkie elementy z opakowania.

1. Podłącz wąż do obudowy głównej odkurzacza, upewniając się, że został zatrzaśnięty i zablokowany na swoim miejscu. Aby zwolnić wąż: naciśnij po prostu znajdujące się na nim zatrzaśki i pociągnij. [1]
2. Podłącz uchwyt\*\* do górnego końca rury. [2]
3. Połącz dolny koniec rury z ssawką do dywanów i podłogi \*\* lub w razie potrzeby z odpowiednim akcesorium. [3]

## KORZYSTANIE Z ODKURZACZA

1. Wyciągnij przewód zasilający i podłącz go do zasilania. Nie należy wyciągać przewodu poza czerwony znacznik. [4]
2. Ustaw rurę teleskopową na żądaną wysokość, przesuwając jej regulację w górę\*\* i podnosząc lub opuszczając uchwyt do najwygodniejszego położenia. [5]
3. Połącz dolny koniec teleskopowej rury z ssawką do dywanów i podłogi \*\* lub w razie potrzeby z odpowiednim akcesorium, a następnie naciśnij stopą przetłącznik \* typu podłogi znajdujący się na ssawce, aby wybrać tryb czyszczenia najbardziej odpowiedni dla danego rodzaju podłogi.  
**Twarda podłoga** – Szczotki są obniżone, aby chronić podłogę.  
**Dywan** – Szczotki są podniesione, aby umożliwić głębsze czyszczenie.

### Szczotka uniwersalna\*\*: [6]

- **Czyszczenie twardych podłóg:** Naciśnij stopą przetłącznik znajdujący się na ssawce i ustaw go w pozycji TWARDA PODŁOGA, a następnie ustaw suwak na ssawce w pozycji WSZYSTKIE RODZAJE PODŁÓG. W tej pozycji szczotki, kółka i pióra wycieraczki są obniżone, aby ochronić twardą podłogę. [6a]

- **Standardowe czyszczenie dywanów i chodników:** Naciśnij stopą przetłącznik znajdujący się na ssawce i ustaw go w pozycji DYWANY, a następnie ustaw suwak na ssawce w pozycji WSZYSTKIE RODZAJE PODŁÓG. W tej pozycji szczotki i pióra wycieraczki są podniesione, a kółka obniżone, aby ułatwić przesuwanie szczotki po powierzchni dywanu. [6b]

- **Głębokie czyszczenie dywanów:** Naciśnij stopą przetłącznik znajdujący się na ssawce i ustaw go w pozycji DYWANY, a następnie ustaw suwak na ssawce w pozycji GŁĘBOKIE CZYSZCZENIE DYWANÓW. W tej pozycji szczotki, kółka i pióra wycieraczki są podniesione, aby umożliwić dogłębne wyczyszczenie dywanu. [6c]

**Ostrzeżenie:** Aby uniknąć ryzyka zadrapania drewnianej podłogi, zaleca się, aby nie pozostawiać przetłącznika w pozycji TWARDA PODŁOGA, a suwaka w pozycji GŁĘBOKIE CZYSZCZENIE DYWANÓW.

4. Włącz odkurzacza. W tym celu naciśnij pedał Wł./Wył. na obudowie głównej odkurzacza [7] lub naciśnij przycisk Wł./Wył. na uchwycie\*. [8]
5. Dostosuj poziom mocy, naciskając przyciski mocy na uchwycie węża\*. [9]

### Uchwyt sterownika Hi-Controller w ustawieniach\*:

- **Włącz/wyłącz odkurzacza:** Naciśnij przycisk Wł./Wył. [8]
- **Płynna regulacja mocy:** Naciśnij przyciski „+”, „-”, aby wyregulować moc. [9]
- **Tryb cichej pracy:** Naciśnij przycisk cichej pracy, aby dokładnie odkurzyć przy obniżonym poziomie hałasu. [10]

### Zintegrowane akcesoria na uchwycie:

- **Wbudowana ssawka szczelinowa :** Końcówkę uchwytu rury można użyć jako ssawki szczelinowej przy wąskich przestrzeniach.



- **Ssawka do mebli** : Naciśnij zatrzaski po obu stronach uchwytu i przesunij je w dół, aby uwolnić ssawkę do mebli do czyszczenia miękkich powierzchni i tkanin (firan, obić). [11]
- **Szczotka do kurzu**: Naciśnij zatrzaski po obu stronach uchwytu i przesunij je w dół, a następnie przesunij suwak do końca, aby zwolnić wbudowaną szczotkę do kurzu. Idealnie nadaje się do twardych powierzchni (regałów, klawiatur, listw przypodłogowych). [11]

#### Uchwyt o zwiększonym komfortie\*:

- **Regulator siły ssania** : Wyreguluj moc ssania poprzez zamknięcie lub otwarcie zaworu powietrza na uchwycie [12]

#### Zintegrowane akcesoria na uchwycie :

- **Wbudowana ssawka szczelinowa** : Końcówkę uchwytu rury można użyć jako ssawki szczelinowej przy wąskich przestrzeniach.
- **Ssawka do mebli** : Naciśnij zatrzaski po obu stronach uchwytu i przesunij je w dół, aby uwolnić ssawkę do mebli do czyszczenia miękkich powierzchni i tkanin (firan, obić). [11]
- **Szczotka do kurzu** : Naciśnij zatrzaski po obu stronach uchwytu i przesunij je w dół, a następnie przesunij suwak do końca, aby zwolnić wbudowaną szczotkę do kurzu. Idealnie nadaje się do twardych powierzchni (regałów, klawiatur, listw przypodłogowych). [11]

#### Uchwyt podstawowy\*:

- **Regulator siły ssania** : Wyreguluj moc ssania poprzez zamknięcie lub otwarcie zaworu powietrza na uchwycie [12]
- **Wbudowana ssawka szczelinowa** : Końcówkę uchwytu rury można użyć jako ssawki szczelinowej przy wąskich przestrzeniach.

Po zakończeniu pracy wyłącz odkurzacz za pomocą pedału Wł./Wył lub przycisku Wł./Wył. na uchwycie. Wyjmij przewód zasilania z gniazdka i zwinij go, naciskając pedał zwijania przewodu.

#### Przerwa w pracy i przechowywanie

Rurę można przechowywać w tylnej części odkurzacza na stałe lub chwilowo podczas użytkowania [13]

## DODATKOWE AKCESORIA

Aby uzyskać optymalne wyniki oraz wydajność yczną, zaleca się stosowanie prawidłowych końcówek podczas głównych czynności czyszczenia. Ssawki są wskazane na schematach i oznaczone literami **GP**, **HF** lub **CA**.

Ssawkę typu **GP** można odkurzać zarówno dywany, jak i twarde podłogi.

Ssawka typu **HF** jest odpowiednia tylko do odkurzania twardych podłóg.

Ssawka typu **CA** jest odpowiednia tylko do odkurzania dywanów.

Pozostałe ssawki to akcesoria do specjalistycznych zadań czyszczących. Zaleca się używać ich jedynie okazjonalnie.

Wszystkie akcesoria mogą zostać zamocowane na uchwycie lub końcu rury teleskopowej.

**Turboszczotka o podwójnym działaniu do usuwania sierści zwierząt\*** - Turboszczotka mini służy do odkurzania schodów lub głębokiego odkurzania powierzchni pokrytych tkaninami i innych trudnych do czyszczenia powierzchni. Nadaje się w szczególności do usuwania sierści zwierząt. [X]

**Turboszczotka o podwójnym działaniu do usuwania alergenów\*** - Turboszczotka mini służy do odkurzania schodów, głębokiego odkurzania powierzchni pokrytych tkaninami i innych trudnych do czyszczenia powierzchni miękkich, nadaje się w szczególności do

usuwania sierści zwierząt domowych. [Y]

**Szczotki do parkietów Extra Care i Care\*** – Do parkietów i innych delikatnych powierzchni podłogowych. [Z(30cm) , AA(25cm)]

**Długa końcówka 2w1\*** – Ssawka szczelinowa i szczotka do kurzu - Pozwala na odkurzenie trudno dostępnych miejsc, np. regałów i narożników. [AB]

**Szczotka XL do mebli\*** - Idealnie nadaje się do czyszczenia dużych i miękkich powierzchni takich jak kanapy, materace i tapczany. [AC]

**WAŻNE:** Nie należy korzystać z turboszczotek mini do odkurzania dywaników z długimi frędzlami, skór zwierzęcych i puszystych dywanów o włosie dłuższym niż 15 mm. Nie trzymaj końcówki nieruchomo, gdy szczotka się obraca.

## KONSERWACJA URZĄDZENIA

### Opróżnianie pojemnika na kurz

Gdy poziom kurzu osiągnie maksymalny poziom na wskaźniku zapelnienia pojemnika, należy opróżnić pojemnik na kurz.

**WAŻNE:** Aby uzyskać optymalną wydajność, nie wolno pozwolić, aby poziom kurzu przekroczył maksymalny poziom.

1. Wyłączyć odkurzacz i wyjąć wtyczkę przewodu zasilającego z gniazdka.
2. Nacisnąć przycisk zwalniający pokrywę pojemnika na kurz i wyjąć zestaw pojemnika na kurz z odkurzacza. [14]
3. Przytrzymać pojemnik na kurz jedną ręką i nacisnąć przycisk zwalniający klapkę pojemnika na kurz. [17]
4. Zamknąć klapkę pojemnika na kurz i zamontować z powrotem w korpusie odkurzacza. [14]

### Czyszczenie filtrów zmywalnych

Odkurzacz jest wyposażony w filtr przed silnikiem oraz w filtr wylotowy. Aby utrzymać optymalną wydajność odkurzania, należy regularnie wyjmować filtry i oczyszczać je z nadmiaru kurzu, opukując o krawędź pojemnika. Filtry należy myć co 5 wypróżnień pojemnika lub gdy przekroczony zostanie poziom kurzu dla filtra.

**WAŻNE:** Wszystkie bezworkowe odkurzacze wymagają regularnego czyszczenia filtrów. Niedostateczne czyszczenie filtrów może doprowadzić do zapchania, przegrzania i uszkodzenia odkurzacza. Może to spowodować wygaśnięcie gwarancji.

**WAŻNE:** Należy regularnie sprawdzać i konserwować filtry.

**WAŻNE:** Przed założeniem zestawu filtra należy zawsze upewnić się, że całkowicie wyschł.

### Aby uzyskać dostęp do filtra:

1. Nacisnąć przycisk zwalniający pokrywę pojemnika na kurz i wyjąć zestaw pojemnika na kurz z odkurzacza. [14]
2. Jedną ręką przytrzymać pojemnik na kurz, a drugą ręką nacisnąć przycisk zwalniania pokrywy pojemnika na kurz, aby otworzyć pokrywę. [15]
3. Wyjąć filtr przed silnikiem znajdujący się w pokrywie pojemnika. [18]
4. Delikatnie opukać i umyć filtr przed silnikiem. Nie stosować gorącej wody ani detergentów. Wyciśnij nadmiar wody z filtra i pozostaw do całkowitego wyschnięcia przed ponownym założeniem. [21,22]
5. Złożyć z powrotem całkowicie osuszony filtr przed filtrem i zamontować w pokrywie

\*Tylko w niektórych modelach \*\* W zależności od modelu.

pojemnika na kurz, a następnie zamontować pojemnik w odkurzaczu.

**WAŻNE:** Nie należy używać urządzenia bez założonego zestawu filtra.

#### Aby uzyskać dostęp do filtra wylotowego:

1. Nacisnąć dwa przyciski, aby odblokować pokrywę filtra wylotowego i wyjąć go z obudowy odkurzacza. [19]
2. Aby wyjąć pakiet filtrów z obsady, należy pociągnąć za uchwyt w kształcie pierścienia na filtrze wylotowym. [20]
3. Delikatnie opukać i umyć filtr. Nie stosować gorącej wody ani detergentów. Usunąć nadmiar wody z filtra i pozostawić do całkowitego wyschnięcia przed ponownym założeniem. [21,22]
4. Złożyć z powrotem całkowicie osuszony pakiet filtrów i zamontować w odkurzaczu. Dobrze docisnąć, aby prawidłowo wszedł do obsady. [20]
5. Nacisnąć krawędź pokrywy filtra wylotowego z tej strony, z której znajdują się zaciski, w taki sposób, aby pokrywa filtra wylotowego zatrasnęła się na swoim miejscu. [19]

**WAŻNE:** Nie należy używać urządzenia bez założonego zestawu filtra.

#### Czyszczenie pojemnika na kurz/separatora

W odkurzaczu zastosowany system separacji opracowany przez firmę Hoover. W razie potrzeby separator można wyjąć z pojemnika na kurz i wyczyścić.

1. Nacisnąć przycisk zwalniający pokrywę pojemnika na kurz i wyjąć zestaw pojemnika na kurz z odkurzacza. [14]
2. Aby otworzyć pokrywę pojemnika na kurz, jedną ręką przytrzymuj pojemnik na kurz, a drugą ręką naciśnij przycisk zwalniania pokrywy. [15]
3. Wyjąć rurkę wirową (czerwoną) z obudowy cyklonu. [16]
4. Wyjąć obudowę cyklonu z pojemnika na kurz. [17]
5. W razie potrzeby za pomocą ściereczki usunąć nadmiar kurzu z powierzchni rurki wirowej oraz powierzchni obudowy cyklonu.
6. Umieścić pojemnik na kurz pod kranem. [21] Optukać letnią wodą. Wewnętrzne powierzchnie pojemnika należy czyścić tylko wodą. NIE używać detergentów na bazie mydła do czyszczenia wewnętrznych części pojemnika.
7. Zamontować element wewnętrzny z powrotem w pojemniku. Sprawdzić, czy wszystkie elementy są suche.
8. Zdjąć pokrywę pojemnika na kurz i zamontować zestaw pojemnika na kurz z powrotem w odkurzaczu.

#### Usuwanie niedrożności

1. Sprawdzić, czy pojemnik na kurz jest pełny. Jeśli tak, zobacz rozdział „Opróżnianie pojemnika na kurz”.
2. Jeśli pojemnik na kurz jest pusty, ale siła ssania jest nadal niedostateczna:
  - A. Czy trzeba wyczyścić filtry? Jeśli tak, zobacz rozdział „Czyszczenie filtrów zmywalnych”.
  - B. Sprawdź, czy występują jakiegokolwiek niedrożności w układzie. - Za pomocą patyka lub pręta przetkaj rurę przedłużającą lub przewód giętki.
  - C. Sprawdź, czy filtr przed silnikiem jest zamocowany.
  - D. Sprawdź, czy separator wymaga czyszczenia. Zobacz rozdział „Czyszczenie separatora”.

#### Wymiana baterii w uchwycie pilota\* [23]

Jeśli brak jest jakiegokolwiek reakcji po naciśnięciu przycisków na pilocie, wymień baterię:

1. Śrubokrętem odkręć blokadę zwalniania pilota na uchwycie.

2. Aby wymienić baterię, przesuń zaczep, wyjmij starą baterię, włóż nową i ponownie zamknij zaczep. Używać tylko baterii litowych CR2032 3V.

### LISTA KONTROLNA UŻYTKOWNIKA

W razie wystąpienia problemu z urządzeniem należy skorzystać z poniższej prostej listy kontrolnej użytkownika przed skontaktowaniem się z lokalnym serwisem firmy Hoover.

- Czy gniazdko, do którego podłączono odkurzacz, jest pod napięciem? Sprawdź gniazdko elektryczne, podłączając do niego inne urządzenie elektryczne.
- Czy pojemnik na kurz jest przepelniony? Zobacz rozdział „Konserwacja odkurzacza”.
- Czy filtr jest niedrożny? Zobacz rozdział „Konserwacja odkurzacza”.
- Czy wąż lub szczotki są zatkane? Zobacz rozdział „Usuwanie niedrożności z układu”.
- Czy nie nastąpiło przegrzanie odkurzacza? W przypadku przegrzania odkurzacz automatycznie ponownie uruchomi się po około 30 minutach.
- Czy pilot na uchwycie nie odpowiada? Patrz “Wymiana baterii w uchwycie pilota”.

### WAŻNE INFORMACJE

#### Części zapasowe i materiały eksploatacyjne firmy Hoover

Należy zawsze wymieniać części na oryginalne części zapasowe firmy Hoover. Można je nabyć w lokalnym serwisie firmy Hoover lub bezpośrednio w firmie Hoover. Przy zamawianiu części zawsze należy podać numer danego modelu.

#### Serwis firmy Hoover

Jeśli kiedykolwiek wymagana będzie naprawa, należy skontaktować się z lokalnym punktem serwisowym firmy Hoover.

#### Jakość

BSI ISO 9001: Fabryki firmy Hoover zostały poddane niezależnej kontroli pod kątem jakości. Nasze produkty zostały wytworzone z wykorzystaniem systemu kontroli jakości spełniającego wymogi normy ISO 9001.

#### Gwarancja

Warunki gwarancji na niniejsze urządzenie są określone przez naszego przedstawiciela w kraju, w którym urządzenie jest sprzedawane. Szczegółowe informacje na temat warunków gwarancji można uzyskać w punkcie, w którym urządzenie zostało nabyte. Przy zgłaszaniu wszelkich roszczeń w ramach gwarancji należy przedstawić dowód sprzedaży lub pokwitowanie.

Zastrzegamy sobie możliwość wprowadzania zmian bez wcześniejszego powiadomienia.

## NÁVOD K BEZPEČNÉMU POUŽITÍ

Tento vysavač by měl být používán pouze pro úklid domácnosti a v souladu s touto uživatelskou příručkou. Než začnete spotřebič používat, ujistěte se, že rozumíte tomuto návodu.

Nenechávejte zařízení zapnuté v zásuvce. Před čištěním nebo jakoukoli údržbou zařízení vždy vypněte a síťovou šňůru vytáhněte ze zásuvky.

Tento přístroj smí používat děti od 8 let výše a osoby se sníženými fyzickými, smyslovými nebo mentálními schopnostmi nebo s nedostatkem zkušeností a znalostí, pokud jsou pod dohledem nebo jim byly dány pokyny týkající se bezpečného používání tohoto přístroje a byly seznámeny s možnými riziky jeho používání. S přístrojem se nesmí hrát děti.

Čištění a údržbu nesmí provádět děti bez dohledu.

Jestliže je poškozena síťová šňůra, okamžitě přestaňte zařízení používat. Abyste se vyhnuli ohrožení bezpečnosti, napájecí kabel musí být vyměněn autorizovaným technikem společnosti HOOVER.

Udržujte dostatečnou vzdálenost rukou, nohou, volného oděvu a vlasů z dosahu otočných kartáčů.

Používejte výhradně příslušenství, spotřební materiál a náhradní díly doporučené nebo dodávané firmou HOOVER.

**Statická elektřina:** Při čištění některých koberců vzniká malé množství statické elektřiny. Výboje statické elektřiny neohrožují zdraví.

Nepoužívejte Vaše zařízení venku, nebo na mokré povrchy a na mokrá vysávání.

Nevysávejte tvrdé nebo ostré předměty, zápalky, žhavý popel, cigaretové nedopalky a podobné předměty.

Nestříkejte nebo nevysávejte hořlavé kapaliny, čisticí tekutiny, aerosoly nebo jejich výpary.

Během použití zařízení nepřejíždějte přes síťovou šňůru a nevytahujte síťový kabel ze zásuvky taháním za šňůru.

Nepoužívejte zařízení, pokud Vám připadá vadné.

Během použití zařízení nestůjte na síťové šňůře ani si ji

neovíjete kolem paží či nohou.

Nepoužívejte zařízení pro čištění zvířat a osob.

Při úklidu schodů nestavte zařízení na vyšší schod, než se nacházíte vy.

**Udržujte baterie mimo dosah dětí.**

**V případě spolknutí baterie vyhledejte okamžitě lékařskou pomoc.**

Vybité baterie je nutné ze spotřebiče odebrat a bezpečně zlikvidovat.

Pokud se spotřebič dlouhodobě nepoužívá, baterie by se měly bezpečně odebrat a uložit.

Před likvidací vysavače z něj nejprve vyjměte baterie.

Před odstraněním baterie se ujistěte, že výrobek je odpojen od elektrické sítě.

Zlikvidujte baterie bezpečně a ekologicky.

Používejte pouze baterii typu Lithium CR2032 3V. Nenabíjecí typ.

Baterie je nutné vložit se správnou polaritou: Kladný pól „+“ je na horní straně. **[23]**

Nenabíjecí baterie se nesmí nabíjet.

Póly baterie se nesmí zkratovat.

**Servis HOOVER:** Pro zajištění vždy bezpečné a efektivní práce s přístrojem doporučujeme, aby jakékoliv servisní práce nebo opravy prováděl pouze autorizovaný servisní pracovník společnosti Hoover.

### Životní prostředí

Symbol na tomto zařízení označuje, že tento výrobek nesmí být likvidován jako domovní odpad. Zařízení musí být předáno do příslušného sběrného místa pro likvidaci elektrických a elektronických zařízení. Likvidace musí proběhnout v souladu s místními ekologickými předpisy pro likvidaci odpadu. Pro další podrobné informace o zacházení, regeneraci a likvidaci tohoto zařízení prosím kontaktujte Váš místní úřad, společnost pro sběr odpadu nebo obchod, kde jste jej zakoupili.



### Modely s dálkovým ovládním Hi-Controller

Frekvenční pásma	300Mhz ~ 450Mhz
Maximální výkon RF vysílaný ve frekvenčním pásmu	11 dBm

**C** Tímto společností Candy Hoover Group Srl prohlašuje, že toto zařízení je označeno v souladu se základními požadavky směrnic 2014/53/EU a 2011/65/EU. Chcete-li získat kopii prohlášení o shodě, kontaktujte prosím výrobce na adrese: www.candy-group.com

#### Pro všechny modely:

**C** Tento výrobek je v souladu s Evropskými směrnicemi 2014/35/ES, 2014/30/ES a 2011/65/ES.

CANDY HOOVER GROUP S.r.l. Via Privata Eden Fumagalli, 20861 Brugherio (MB) Italy

## SEZNAMTE SE S VAŠÍM VYSAVAČEM

A. Zásobník na prach	rukojeť s měkkým uchopením, sacím
B. Hlavní část vysavače	regulátorem a integrovanými doplňky:
C. Pedál zapnutí/vypnutí	Štěrbinový nástroj, prachový kartáč
D. Parkovací slot	a nástroj na nábytek* (Viz. "Na")
E. Tlačítko pro uvolnění zásobníku na nečistoty	P. Hlavní rukojeť s měkkým uchopením, regulátor sání a integrovaný štěrbinový nástroj*
F. Pedál navíjení kabelu	Q. Teleskopická trubka**
G. Nádoza na prach	Q1. Bezpečné připojení teleskopické trubky*
H. Tělo cyklónového systému	Q2. Nastavení teleskopické trubky**
I. Přepadová trubka (Metalická červená )	R. Bezpečné připojení kobercové a podlahové hubice*
J. Víko zásobníku na nečistoty	S. Volič typu podlahy
K. Uvolnění klapky zásobníku	T. Hubice na koberce a podlahy*
L. Tlačítko otevření poklopu koše	U. Hubice na koberce a podlahy (GP)**
M. Hadice	U1. Hubice na koberce (CA)**
N. Dálkové ovládání ovladače Hi s měkkou rukojetí*	U2. Hubice na tvrdé podlahy (HF)**
N1. Nastavitelná tlačítka ovládání výkonu	V. Vstupní filtr
N2. Tlačítko tichého výkonu	W. Výstupní filtr
N3. Tlačítko zapnutí/vypnutí	X. Mini Turbo duální hubice na odstranění zvířecích chlupů*
N4. Indikátor LED baterie dálkového ovládání v rukojeti	Y. Mini Turbo duální hubice na odstraňování alergenů*
Na. Integrované příslušenství na rukojeti: Štěrbinový nástroj, prachový kartáč a nástroj na nábytek*	Z. Parketová hubice Extra Care*
O. Pokročilá pohodlná	AA. Parketová hubice Care*
	AB. Dlouhý nástroj 2v1 *
	AC. Hubice XL na čištění nábytku*

\* Pouze u některých modelů \*\* Může se lišit podle modelu

## SESTAVENÍ VYSAVAČE

Vybalte všechny díly vysavače.

1. Připojte hadici k vysavači a přesvědčte se, že je spolehlivě zajištěna v provozní poloze. Pro uvolnění hadice: jednoduše stiskněte západky na konci hadice a vytáhněte ji. [1]
2. Připojte rukojeť hadice\*\* k hornímu konci trubky. [2]
3. Připojte spodní konec trubice k hubici na koberce a podlahu\*\* nebo k příslušenství. [3]

## JAK POUŽÍVAT VYSAVAČ

1. Vytáhněte síťovou šňůru a zapojte ji do zásuvky. Netahejte šňůru za červenou značku. [4]
2. Nastavte teleskopickou trubici do požadované výšky přesunutím seřizovacího tlačítka teleskopické\*\* trubice a držadlo posuňte nahoru nebo dolů do polohy nejpohodlnější pro vysávání.. [5]
3. Po připojení spodního konce teleskopické trubice k hubici pro koberce a podlahu\*\* nebo příslušenství, sešlápněte pedál přepínače typu podlahy\* na hubici a zvolte nejvhodnější režim čištění pro daný typ podlahy. **Tvrdá podlaha** – Štětiny jsou vysunuté, aby nedošlo k poškrábání podlahy. **Koberce** – Štětiny jsou zasunuté, aby bylo zajištěno účinné čištění.

### Hubice na koberce a podlahy\*\*:

- **Čištění tvrdých podlah:** Pomocí pedálu na hubici přepněte na režim tvrdé podlahy a upravte posuvník na hubici na VŠECHNY PODLAHY. V této poloze jsou štětiny, kolečka i stírací lišta vysunuty, aby nedošlo k poškrábání tvrdé podlahy. [6a]
- **Čištění běžných koberců:** Pomocí pedálu na hubici přepněte na režim koberce a upravte posuvník na hubici na VŠECHNY PODLAHY. V této poloze jsou štětiny a stírací lišta zasunuty a kolečka jsou vysunuta, aby byl zajištěn bezproblémový pohyb po podlaze. [6b]
- **Hlubkové čištění koberců:** Pomocí pedálu na hubici přepněte na režim koberce a upravte posuvník na hubici na HLOUBKOVÉ ČIŠTĚNÍ KOBERCŮ. V této poloze jsou štětiny, stírací lišta i kolečka zasunuty, aby bylo zajištěno hlubkové čištění vašeho koberce. [6c]

**VAROVÁNÍ:** Abyste nepoškrábali dřevěné podlahy, nedoporučujeme kombinaci pedálu v poloze pro tvrdé podlahy a posuvník v poloze pro hlubkové čištění.

4. Zapněte vysavač stisknutím pedálu zapnutí/vypnutí na hlavním tělese vysavače [7] nebo stisknutím tlačítka zapnutí/vypnutí na rukojeti hadice\*. [8]
5. Úroveň výkonu nastavte stisknutím tlačítek proměnné regulace výkonu na rukojeti hadice\*. [9]

### Rukojeť ovladače Hi s nastavením\*:

- **Zapnutí/vypnutí vysavače:** Stiskněte tlačítko zapnutí/vypnutí. [8]
- **Nastavení ovládání výkonu:** Pro nastavení výkonu stiskněte tlačítka „+“, „-“. [9]
- **Režim tichého výkonu:** Tlačítko tichého výkonu stiskněte pro vysávání při snížené úrovni hluku. [10]

### Integrované příslušenství na rukojeti:

- **Vestavěný štěrbinový nástroj:** Konec rukojeti hadice můžete použít jako štěrbinový nástroj, abyste se dostali do úzkých prostorů.

- **Nástroj na nábytek** : Stiskněte západky na obou stranách rukojeti a posuňte je dolů, abyste uvolnili nástroj na nábytek pro čištění měkkých povrchů a textilií (závěsy, čalounění). [11]
- **Prachový kartáček**: Stiskněte západky na obou stranách rukojeti a posuňte je směrem dolů, pak zatlačte jezdce na konec, čímž uvolníte vestavěný prachový kartáč. Ideální pro tvrdé povrchy (police, klávesnice, lišty) [11]

#### Pokročilá pohodlná rukojeť\*:

- **Regulátor sání** : Sací výkon nastavte otevřením nebo zavřením vzduchového ventilu na rukojeti. [12]

#### Integrované příslušenství na rukojeti :

- **Vestavěný štěrbinový nástroj** : Konec rukojeti hadice můžete použít jako štěrbinový nástroj, abyste se dostali do úzkých prostorů.
- **Nástroj na nábytek** : Stiskněte západky na obou stranách rukojeti a posuňte je dolů, abyste uvolnili nástroj na nábytek pro čištění měkkých povrchů a textilií (závěsy, čalounění). [11]
- **Prachový kartáč** : Stiskněte západky na obou stranách a posuňte je směrem dolů, pak zatlačte jezdce na konec, čímž uvolníte vestavěný prachový kartáč. Ideální pro tvrdé povrchy (police, klávesnice, lišty) [11]

#### Základní rukojeť\*:

- **Regulátor sání** : Sací výkon nastavte otevřením nebo zavřením vzduchového ventilu na rukojeti. [12]
- **Vestavěný štěrbinový nástroj** : Konec rukojeti hadice můžete použít jako štěrbinový nástroj, abyste se dostali do úzkých prostorů.

Na konci používání vypněte stisknutím pedálu zapnout/vypnout nebo tlačítek zapnout/vypnout na rukojeti hadice\*. Odpojte a smotejte napájecí kabel stisknutím pedálu pro navíjení kabelu.

#### Oddíl o uložení a skladování

Pro uskladnění nebo dočasné uložení v případě používání lze trubici uložit na zadní část čističe. [13]

## PŘÍSLUŠENSTVÍ

Chcete-li získat co nejlepší výkon a účinnost je doporučeno, aby byly použité správné trysky pro hlavní čisticí operace. Tyto nástavce jsou uvedeny v diagramech symboly **GP**, **HF** nebo **CA**.

Nástavec typu **GP** lze použít jak pro čištění koberce tak na tvrdé podlahy.

Nástavec typu **HF** je vhodný pouze pro použití na tvrdé podlahy.

Nástavec typu **CA** je vhodný pouze pro použití na koberce.

Další nástavce jsou příslušenství pro specializovaná čištění a jsou doporučeny pouze pro příležitostná použití.

Veškeré příslušenství lze upevnit na držadlo nebo na konec teleskopické trubice.

**Duální hubice na odstranění srsti\*** - Mini turbo hubici používejte pro úklid schodišť nebo pro hloubkové čištění textilních povrchů a jiných obtížně přístupných ploch. Vhodné zejména pro odstraňování chlupů zvířat. [X]

**Duální hubice na odstranění alergenů\*** - Miniturbohubici používejte pro úklid schodišť nebo pro hloubkové čištění textilních povrchů a jiných obtížně přístupných ploch, hodí se zejména na odstraňování alergenů. [Y]

\* Pouze u některých modelů \*\* Může se lišit podle modelu

**Parquetové hubice Extra Care a Care\*** – Pro parquetové podlahy a jiné citlivé podlahy. [Z(30cm) , AA(25cm)]

**Dlouhý nástroj 2v1\*** – Štěrbínový nástroj a prachový kartáč - Umožňuje vyčistit těžko přístupná místa, jako jsou police a vysoké rohy. [AB]

**Hubice XL na čištění nábytku\*** - Ideální pro čištění velkých a měkkých povrchů, jako jsou pohovky, matrace a pohovky. [AC]

**DŮLEŽITÉ UPOZORNĚNÍ:** Nepoužívejte miniturbohubici na čištění koberců s dlouhými třásněmi, pelíšků domácích zvířat a koberců s vlasem delším než 15 mm. Pokud se kartáče otáčejí, hubice nesmí zůstat na jednom místě.

## ÚDRŽBA VYSAVAČE

### Vyprázdnění zásobníku na prach

Jestliže ukazatel na zásobníku ukazuje, že množství prachu dosáhlo maximálního množství, je třeba zásobník vyprázdnit.

**DŮLEŽITÉ UPOZORNĚNÍ:** Pokud chcete dosáhnout optimální funkce vysavače, množství prachu nesmí přesáhnout úroveň označenou značkou Max.

1. Hlavním spínačem vypněte čistič a odpojte napájecí kabel ze zásuvky.
2. Stiskněte tlačítko uvolnění koše a sundejte koš z vysavače. [14]
3. Jednou rukou podržte zásobník a stiskněte tlačítko k uvolnění klapky. [17]
4. Uzavřete zásobník a připevněte zpět k hlavnímu tělu čističe. [14]

### Čištění omyvatelného filtru

Vysavač je vybaven vstupním a výstupním filtrem. K zajištění optimálního výkonu čištění filtry pravidelně vyndejte a vyklepejte prach o okraj popelnice. Filtry by měly být čištěny po pěti vyprázdněních zásobníku nebo v případě usazení přílišného množství prachu.

**DŮLEŽITÉ UPOZORNĚNÍ:** Všechny beszáčkové vysavače vyžadují pravidelné čištění filtrů. V opačném případě může dojít k zablokování vzduchu, přehřátí a závadě spotřebiče. Může to vést ke ztrátě záruky.

**DŮLEŽITÉ UPOZORNĚNÍ:** Filtry je třeba pravidelně kontrolovat a čistit.

**DŮLEŽITÉ UPOZORNĚNÍ:** Před instalací do vysavače musí být filtry dokonale suché.

### Přístup k filtru:

1. Stiskněte tlačítko uvolnění koše a sundejte koš z vysavače. [14]
2. Jednou rukou podržte zásobník a druhou rukou stiskněte tlačítko k otevření poklopu. [15]
3. Vyjměte vstupní filtr, který se nachází ve víku zásobníku na nečistoty. [18]
4. Jemně poklepejte a umyjte vstupní filtr motoru. Nepoužívejte horkou vodu nebo mycí prostředky. Odstraňte přebytečnou vodu z filtru a před použitím filtr nechte dokonale vyschnout. [21,22]
5. Když je předfiltr řádně osušen, připevněte jej zpět do poklopu a zásobník na nečistoty připevněte zpět k čističi.

**DŮLEŽITÉ UPOZORNĚNÍ:** Nepoužívejte vysavač bez instalovaného filtru.

### Zpřístupnění výstupního filtru:

1. Odemkněte dveře výfukového filtru stiskem dvou tlačítek a vytažením směrem ven z hlavního těla čističe. [19]

2. Vyjměte filtrovou soupravu z prohlubně výstupního filtru. [20]
3. Jemně vyklepejte a umyjte filtrační jednotku. Nepoužívejte horkou vodu nebo mycí prostředky. Odstraňte přebytečnou vodu z filtru a před použitím nechte úplně vyschnout. [21,22]
4. Poté, co filtrová souprava zcela uschne, opět ji sestavte a připevňte zpět k čističi tak, že ji vložíte na své místo a zatlačíte, až zcela dosedne. [20]
5. Zablokujte kryt výstupního filtru stiskem hrany s klipem, uslyšíte kliknutí poté co dveře filtru zapadnou na místo. [19]

**DŮLEŽITÉ UPOZORNĚNÍ:** Nepoužívejte vysavač bez instalovaného filtru.

#### Čištění zásobníku na prach / odstředivé jednotky

Tento čisticí systém používá separační systém, který je jedinečný pro firmu Hoover. V případě potřeby lze vyjmout odstředivou jednotku z kazety, abyste ji mohli vyčistit.

1. Stiskněte tlačítko uvolnění koše a sundejte koš z vysavače. [14]
2. Držte nádobu na prach jednou rukou a druhou rukou stiskněte uvolňovací tlačítko víčka nádoby na prach, abyste otevřeli nádobu na prach. [15]
3. Odejměte přepadovou trubku (červenou) z cyklónové jednotky [16]
4. Sundejte tělo cyklónové jednotky z koše. [17]
5. V případě potřeby hadříkem odstraňte přebytečný prach z přepadové trubky a z povrchu cyklónové jednotky.
6. Vložte zásobník na nečistoty pod kohoutek. [21] Opláchněte vlašnou vodou. Vnitřní plochy zásobníku omývejte pouze vodou. K čištění vnitřního prostoru zásobníku **NEPOUŽÍVEJTE** mýdlové čisticí prostředky.
7. Znovu připevňte vnitřní část k zásobníku, ujistěte se, že jsou všechny části suché.
8. Uzavřete poklop zásobníku na nečistoty a připevňte jej zpět k čističi.

#### Odstranění překážky

1. Zkontrolujte, zda není zásobník na prach plný. Pokud tomu tak je, postupujte podle části „Vyprázdnění nádoby na prach“.
2. Zásobník na prach je prázdný, avšak podtlak je stále nedostatečný:
  - A. Je třeba vyčistit filtry? Pokud ano, viz část „Čištění omyvatelného filtru“.
  - B. Zkontrolujte, zda není v systému jiná překážka - k odstranění jakékoliv překážky z teleskopické trubice nebo hadice použijte vhodnou tyč apod.
  - C. Zkontrolujte, zda je nasazený vstupní filtr.
  - D. Zkontrolujte, zda není nutné vyčistit odstředivý filtr. Viz část „Čištění odstředivé jednotky“.

#### Výměna baterie na dálkovém ovladači rukojeti\* [23]

Pokud dálkový ovladač na rukojeti při stisknutí libovolných tlačítek neodpovídá, vyměňte baterii.

1. Pro uvolnění dálkového ovladače z rukojeti použijte šroubovák.
2. Chcete-li vyměnit baterii, zatlačte úchytku stranou, vyjměte staré baterie, vyměňte a znovu namontujte úchytku. Používejte pouze baterii typu Lithium CR2032 3V.

## SEZNAM PRO UŽIVATELE

Pokud máte jakýkoli problém s výrobkem, proveďte kontrolu podle tohoto seznamu, než se obrátíte na servisní středisko Hoover.

- Funguje správně elektrická zásuvka, k níž je připojen vysavač? Zkontrolujte ji pomocí jiného spotřebiče.
- Není sáček na prach plný? Viz „Údržba vysavače“.
- Není ucpaný filtr? Viz „Údržba vysavače“.
- Není ucpaná hadice nebo hubice? Viz „Odstranění překážky ze systému“.
- Není vysavač přehřátý? Pokud ano, vyčkejte cca 30 minut, než se vysavač vrátí do funkčního stavu.
- Dálkový ovladač na rukojeti neodpovídá? Přečtěte si část „Výměna baterie na rukojeti dálkového ovladače“.

## DŮLEŽITÉ INFORMACE

### Náhradní díly a spotřební materiály Hoover

Vždy používejte originální náhradní díly společnosti Hoover. Získáte je u místního prodejce výrobků Hoover nebo u servisních partnerů. V objednávce dílů laskavě vždy uvádějte číslo modelu.

### Servis společnosti Hoover

S opravami se obračejte vždy na místní servisní středisko společnosti Hoover.

### Kvalita

BSI ISO 9001: Kvalita výroby ve výrobních závodech společnosti Hoover byla posouzena nezávislou organizací. Naše výrobky jsou vyráběny podle systému jakosti, který splňuje požadavky ISO 9001.

### Záruka

Záruční podmínky pro tento spotřebič stanovuje náš zástupce v zemi, v níž je spotřebič prodáván. Přesné znění podmínek vám poskytne prodejce, u něhož jste si zařízení zakoupili. Při reklamaci podle těchto záručních podmínek je nutno předložit doklad o koupi nebo převzetí.

Právo změny bez předchozího upozornění vyhrazeno.

## POKYNY PRE BEZPEČNÉ POUŽITIE

Tento spotrebič je určený na domáce čistenie, ako je uvedené v tejto používateľskej príručke. Pred použitím spotrebiča sa uistite, že ste tejto príručke plne porozumeli.

Spotrebič nenechávajte zapojený do elektrickej siete. Spotrebič vypnite a vytiahnite zástrčku zo zásuvky vždy po jeho použití, pred čistením, alebo akoukoľvek údržbou.

Tento spotrebič môžu používať deti staršie ako 8 rokov a osoby s obmedzenými fyzickými, zmyslovými alebo duševnými schopnosťami, alebo nedostatočnými skúsenosťami a znalosťami vtedy, ak sú pod dohľadom alebo im boli dané pokyny týkajúce sa bezpečného použitia spotrebiča a rozumejú možným rizikám. Deti sa so spotrebičom nesmú hrať.

Čistenie a údržbu nesmú vykonávať deti bez dozoru.

Ak je napájací kábel poškodený, okamžite prestaňte spotrebič používať. Aby nedošlo k ohrozeniu bezpečnosti, napájací kábel musí vymeniť autorizovaný servisný technik spoločnosti HOOVER.

Ruky, nohy, voľné oblečenie a vlasy držte v bezpečnej vzdialenosti od rotujúcich kief.

Používajte iba príslušenstvo, spotrebný materiál alebo náhradné diely odporúčané alebo dodávané spoločnosťou HOOVER.

**Statická elektrina:** Niektoré koberce môžu spôsobiť menšie nahromadenie statickej elektriny. Prípadný statický výboj nie je zdraviu škodlivý.

Nepoužívajte spotrebič vonku, na akomkoľvek mokrom povrchu alebo na mokré vysávanie.

Nevysávajte tvrdé alebo ostré predmety, zápalky, horúci popol, ohorky cigariet alebo iné podobné veci.

Nesprejujte alebo nevysávajte horľavé kvapaliny, čistiace roztoky, aerosóly alebo ich pary.

Pri používaní spotrebiča neprechádzajte cez napájací kábel a nevyťahujte zástrčku ťahaním za napájací kábel.

Spotrebič prestaňte používať, ak nefunguje správne.

Počas používania spotrebiča nestojte na kábli ani ho neobtáčajte okolo paží alebo nôh.

Nepoužívajte spotrebič na čistenie zvierat alebo ľudí.

Pri čistení schodov neumiestňujte spotrebič nad seba.

**Batérie uchovajte z dosahu detí.**

**Ak dieťa prehltnie batériu, okamžite navštívte lekára.**

Vybité batérie je potrebné zo spotrebiča vybrať a bezpečne zlikvidovať.

Ak sa ide spotrebič uskladniť na dlhý čas bez používania, mali by ste vybrať batérie a bezpečne ich odložiť.

Ak je spotrebič určený na likvidáciu, musíte najskôr vybrať batérie.

Pri výbere batérií je potrebné spotrebič odpojiť od sieťového napájania.

Bezpečne zlikvidujte batérie.

Používajte len lítiový typ batérie CR2032 3 V. Typ neurčený na opätovné nabíjanie.

Batérie je potrebné vložiť so správnou polaritou: kladný pól „+“ je na hornej strane. [23]

Nenabíjateľné batérie nie sú určené na opätovné nabíjanie.

Póly batérií nemôžete skratovať.

**HOOVER servis:** Pre zaistenie dlhého, bezpečného a účinného fungovania tohto spotrebiča odporúčame, aby všetky servisné úkony alebo opravy vykonával len autorizovaný servisný technik spoločnosti HOOVER.

### Prostredie

Tento symbol na spotrebiči informuje, že s týmto spotrebičom sa nesmie zaobchádzať ako s domovým odpadom. Je potrebné ho odovzdať na príslušnom zbernom mieste na recykláciu elektrických a elektronických zariadení. Likvidácia musí byť vykonaná v súlade s miestnymi predpismi pre likvidáciu odpadu. Pre podrobnejšie informácie o nakladaní so spotrebičom, jeho obnove a recyklácii sa obráťte na váš obecný úrad, odpadkovú službu pre domácnosti a alebo obchod, kde ste spotrebič zakúpili.



Pre modely s diaľkovým ovládaním Hi-Controller:

Frekvenčné pásma	300Mhz ~ 450Mhz
Maximálny rádiový výkon prenášaný vo frekvenčnom pásme	11 dBm

**C** Prostredníctvom tohto prehlásenia spoločnosť Candy Hoover Group Srl prehlasuje, že tento označený spotrebič je v súlade so základnými požiadavkami smerníc 2014/53/EÚ a 2011/65/EÚ. Aby ste obdržali kópiu prehlásenia o zhode, kontaktujte výrobcu na lokalite: [www.candy-group.com](http://www.candy-group.com)

#### Pre všetky ostatné modely:

**C** Tento dokument je v súlade s Európskymi smernicami 2014/35/EÚ, 2014/30/EÚ a 2011/65/EÚ.

CANDY HOOVER GROUP S.r.l. Via Privata Eden Fumagalli, 20861 Brugherio (MB) Italy

## ČASTI VYSÁVAČA

- |   |   |
|---|---|
| A. Jednotka nádoby na prach   | O. Pokročilá komfortná rúkoväť s jemnou rúčkou, regulátor nasávania a integrované príslušenstvo: nástroj na škáry, kefka na prach a nástroj na nábytok* (Pozrite si <b>Na</b> ) |
| B. Hlavné teleso vysávača   | P. Základná rúkoväť s jemnou rúčkou, regulátor nasávania a integrovaný nástroj na škáry.*   |
| C. Pedál zapnutia/vypnutia  | Q. Teleskopická trubica**   |
| D. Parkovacia pozícia   | Q1. Bezpečné pripojenie teleskopической trubice*  |
| E. Tlačidlo na uvoľnenie nádoby na prach  | Q2. Nastavenie teleskopической trubice**  |
| F. Pedál pre navínutie kábla  | R. Bezpečné pripojenie nástavca na koberce a podlahu*   |
| G. Nádoba na prach  | S. Pedál výberu typu podlahy  |
| H. Teleso cyklónu   | T. Hubica na koberce a podlahy*   |
| I. Hľadač vírov (Kovová červená)  | U. Kobercová a podlahová hubica ( <b>GP</b> )**   |
| J. Kryt nádoby na prach   | U1. Kobercová hubica ( <b>CA</b> )**  |
| K. Uvoľňovacia spúšť klapky nádoby na prach   | U2. Hubica na tvrdú podlahu ( <b>HF</b> )**   |
| L. Tlačidlo otvorenia krytu nádoby na prach   | V. Predfilter motora  |
| M. Hadica   | W. Výfukový filter  |
| N. Rúkoväť s diaľkovým ovládaním Hi-Controller s jemnou rúčkou*                                   | X. Mini turbo nástavec na odstraňovanie srsti domácich miláčikov s dvojitou funkciou*   |
| N1. Tlačidlá variabilného ovládania výkonu  | Y. Mini turbo nástavec na odstraňovanie alergénov s dvojitou funkciou*  |
| N2. Tlačidlo tichého napájania  | Z. Nástavec na extra starostlivosť o parkety*   |
| N3. Tlačidlo zapnutia/vypnutia  | AA. Nástavec na starostlivosť o parkety*  |
| N4. LED indikátor batérie diaľkového ovládania na rúkoväti  | AB. Dlhý nástroj 2 v 1 *  |
| Na. Integrované príslušenstvo na rúkoväti: Nástroj na škáry, kefka na prach a nástroj na nábytok* | AC. Nábytková hubica XL*  |

\*Iba u niektorých modelov \*\* Sa môže líšiť v závislosti od modelu

## AKO ZLOŽIŤ VYSÁVAČ

Vyberte všetky komponenty z obalu.

1. Pripojte hadicu k hlavnému telesu vysávača a uistite sa, že dosadla a zapadla na svoje miesto. Na uvoľnenie hadice: jednoducho stlačte západky na konci hadice a vytiahnite. [1]
2. Pripojte rúkoväť na hadicu\*\* k hornému koncu trubice. [2]
3. Pripojte spodný koniec trubice k hubici na koberce a podlahu\*\* alebo prípadne k príslušenstvu. [3]

## POUŽÍVANIE VYSÁVAČA

1. Vyberte napájací kábel a pripojte ho do elektrickej siete. Kábel nevyťahujte viac ako určuje červená značka. [4]
2. Nastavte teleskopickú trubicu do požadovanej výšky presunutím nastavovacieho tlačidla teleskopической trubice\* a rúkoväť posuňte hore alebo dolu na najpohodľnejšiu pozíciu pre vysávanie. [5]
3. Po pripojení spodného konca teleskopической trubice k hubici na koberce a podlahu\*\* alebo prípadne k príslušenstvu, zošliapnite pedál na hubici\* a zvolte vhodný režim čistenia pre daný typ podlahy.  
**Tvrdá podlaha** – Kefy sú spustené, aby chránili podlahu.  
**Koberce** – Štetiny sú zasunuté, aby bolo zaistené účinné čistenie.

#### Kobercová a podlahová hubica\*\*: [6]

- **Vysávanie tvrdej podlahy** Zošliapnite pedál na hubici do režimu tvrdej podlahy a presuňte posuvník na hubici na ALL FLOORS (všetky podlahy). V tejto polohe sú štetiny, kolieska a stieracia lišta spustené, aby chránili podlahu. [6a]
  - **Štandardné vysávanie kobercov a koberčekov** Stlačte pedál na hubici do režimu koberca a presuňte posuvník na hubici na ALL FLOORS (všetky podlahy). V tejto polohe sú štetiny a stieracia lišta zdvihnuté a kolieska sú spustené, aby bol možný jednoduchý pohyb na tomto type povrchu. [6b]
  - **Hĺbkové vysávanie kobercov:** Stlačte pedál na hubici do režimu koberca a presuňte posuvník na hubici na DEEP CARPET CLEANING (hĺbkové vysávanie kobercov). V tejto polohe sú štetiny, kolieska a stieracia lišta zasunuté, aby bolo zaistené účinné čistenie. [6c]
- UPOZORNENIE:** Na zabránenie možnému poškriabaniu drevených podláh odporúčame, aby nebol pedál nastavený do režimu tvrdej podlahy a posuvník na hĺbkovom vysávaní kobercov.
4. Zapnite čistič stlačením pedálu zap./vyp. na hlavnom tele čističa [7] alebo stlačením tlačidla zap./vyp. na rúkoväti hadice\*. [8]
  5. Upravte úroveň výkonu stlačením tlačidiel na ovládanie úrovne výkonu na rúkoväti hadice\*. [9]

#### Rúkoväť Hi-Controller s nastaveniami\*:

- **Zapnite/vypnite čistič:** Stlačte tlačidlo zap./vyp. [8]
- **Variabilné ovládanie výkonu:** Stlačením tlačidiel „+“, „-“ nastavte výkon. [9]
- **Režim tichého napájania:** Stlačením tlačidla tichého napájania vykonáte detailné čistenie pri zníženej úrovni hluku. [10]

#### Integrované príslušenstvo na rúkoväti:

- **vstavaný nástroj na škáry** : Koniec rúkoväte hadice sa dá použiť ako nástroj na



škáry, aby ste sa dostali do úzkych miest.

- **Nástroj na nábytok** : Zatlačte západky na obidvoch stranách rukoväte a posuňte ich nadol, aby ste uvoľnili nástroj na nábytok za účelom čistenia jemných povrchov a textílií (záclon, čalúnenia). [11]
- **Oprašovacia kefka** : Zatlačte západky na obidvoch stranách rukoväte a posuňte ich nadol, následne zatlačte posuvník po koniec, aby ste uvoľnili vstavanú kefku na prach. Ideálna pre tvrdé povrchy (police na knihy, klávesnice, ochranné lišty). [11]

#### Pokročilá komfortná rukoväť\*:

- **Regulátor sania** : Nastavte sací výkon otvorením alebo zatvorením vzduchového ventilu na rukoväti. [12]

#### Integrované príslušenstvo na rukoväti :

- **vstavaný nástroj na škáry** : Koniec rukoväte hadice sa dá použiť ako nástroj na škáry, aby ste sa dostali do úzkych miest.
- **Nástroj na nábytok** : Zatlačte západky na obidvoch stranách rukoväte a posuňte ich nadol, aby ste uvoľnili nástroj na nábytok za účelom čistenia jemných povrchov a textílií (záclon, čalúnenia). [11]
- **Oprašovacia kefka** : Zatlačte západky na obidvoch stranách a posuňte ich nadol, potom zatlačte posuvník po koniec, aby ste uvoľnili vstavanú kefku na prach. Ideálna pre tvrdé povrchy (police na knihy, klávesnice, ochranné lišty). [11]

#### Základná rukoväť\*:

- **Regulátor sania** : Nastavte sací výkon otvorením alebo zatvorením vzduchového ventilu na rukoväti. [12]
- **vstavaný nástroj na škáry** : Koniec rukoväte hadice sa dá použiť ako nástroj na škáry, aby ste sa dostali do úzkych miest.

Vypnite na konci používania stlačením pedálu zap./vyp. alebo tlačidla zap./vyp. na rukoväti hadice\*. Odpojte a naviňte napájací kábel tak, že stlačíte pedál navíjania kábla.

#### Odkladanie a Uskladnenie

Trubicu je možné uložiť na zadnú stranu vysávača pri uskladnení alebo pri krátkodobom uložení počas používania. [13]

## PRÍSLUŠENSTVO

Pre čo najlepší výkon a vynikajúcu účinnosť sa pri hlavnom vysávaní odporúča používanie správnych hubíc. Tieto hubice sú uvedené v grafoch pod písmenami **GP**, **HF** alebo **CA**.

Typ hubice **GP** sa dá použiť na vysávanie kobercov aj tvrdej podlahy.

Typ hubice **HF** je vhodný pre použitie len na tvrdej podlahe.

Typ hubice **CA** je vhodný pre použitie iba na koberce.

Ďalšie hubice sú príslušenstvom pre špeciálne vysávanie a odporúčajú sa iba na príležitostné použitie.

Kompletné príslušenstvo je možné upevniť na koniec rukoväti alebo na koniec teleskopickej trubice.

**Nástavec na odstraňovanie srsti domácich miláčikov s dvojitou funkciou\*** - Miniturbohubica sa používa na upratovanie schodísk alebo na hĺbkové vysávanie textilných povrchov a iných ťažko prístupných plôch. Vhodné hlavne pre odstraňovanie chlupov zvierat.

\*Iba u niektorých modelov \*\* Sa môže líšiť v závislosti od modelu

[X]

**Nástavec na odstraňovanie alergénov s dvojitou funkciou\*** – Miniturbohubicu používajte pre upratovanie schodísk alebo pre hĺbkové vysávanie textilných povrchov a iných ťažko prístupných plôch. Vhodné hlavne na odstraňovanie alergénov. [Y]

**Nástavce na extra starostlivosť o parkety a starostlivosť o parkety\*** – Pre parketové podlahy a iné jemné podlahy. [Z(30cm) , AA(25cm)]

**Dlhý nástroj 2 v 1\*** – Nástroj na škáry a kefka na prach - Umožňuje čistiť ťažko dostupné miesta, ako napríklad poličky na knihy a vysoké rohy. [AB]

**Nábytková hubica XL\*** - Ideálny na čistenie veľkých mäkkých povrchov, ako sú sedačky, matrace a gauče. [AC]

**DÔLEŽITÉ:** Nepoužívajte Miniturbohubicu na čistenie kobercov s dlhými strapcami, peľochov domácich zvierat a kobercov s vlasom dlhším než 15 mm. Keď sa kefa otáča, hubica nesmie zostať na jednom mieste.

## ÚDRŽBA VYSÁVAČA

### Vyprázdnenie nádoby na prach

Keď prach v nádobe dosiahne ukazovateľ maximálnej hladiny, nádobu vyprázdnite.

**DÔLEŽITÉ:** Pre udržanie čo najlepšieho výkonu nedovoľte, aby bol prach nad indikátorom maximálnej hladiny.

1. Vypnite vysávač hlavným vypínačom a vytiahnite zástrčku zo zásuvky.
2. Stlačte tlačidlo uvoľnenia nádoby na prach a vytiahnite nádobu na prach z vysávača. [14]
3. Nádobu na prach držte jednou rukou a stlačte uvoľňovaciu spúšť klapky nádoby na prach. [17]
4. Zatvorte klapku nádoby na prach a uložte nádobu naspäť do vysávača. [14]

### Čistenie umývateľných filtrov

Vysávač je vybavený predfiltrom motora a výstupným filtrom. Na zaistenie optimálneho výkonu čistenia pravidelne vyberte filtre a odstráňte z nich prach oklepaním o okraj nádoby na prach. Filtre je potrebné čistiť po 5 vysypaniach nádoby na prach alebo v prípade, že je filter zanesený.

**DÔLEŽITÉ:** Všetky bezsáčkové vysávače si vyžadujú pravidelné čistenie filtrov. V prípade nevyčistenia filtrov môže dôjsť k upchatiu prívodu vzduchu, prehriatiu a zlyhaniu výrobku. Môže to spôsobiť zrušenie záruky.

**DÔLEŽITÉ:** Filtre pravidelne kontrolujte a starajte sa o ne.

**DÔLEŽITÉ:** Vždy pred použitím sa uistite, že je filtrová jednotka úplne vysušená.

### Pre prístup k filtru:

1. Stlačte tlačidlo uvoľnenia nádoby na prach a vytiahnite nádobu na prach z vysávača. [14]
2. Nádobu na prach držte jednou rukou a pre otvorenie krytu nádoby na prach druhou stlačte uvoľňovacie tlačidlo krytu nádoby na prach. [15]
3. Odoberte predfilter motora, ktorý sa nachádza v kryte nádoby. [18]
4. Predfiltrom motora jemne poklopte a umyte ho. Nepoužívajte horúcu vodu alebo čistiace prostriedky. Z filtra odstráňte prebytočnú vodu a pred opätovným použitím ho nechajte úplne vyschnúť. [21,22]
5. Po úplnom vysušení znovu nasadte predfilter motora do krytu nádoby na prach a

založte do vysávača.

**DÔLEŽITÉ:** Nepoužívajte výrobok bez toho, aby bol založený predfilter motora.

#### Pre prístup k výfukovému filtru:

1. Dvierka výfukového filtra uvoľníte stlačením oboch tlačidiel a potiahnutím smerom von z hlavného tela vysávača. [19]
2. Odoberte filterovú jednotku z miesta uloženia potiahnutím krúžkového uzáveru výfukového filtra. [20]
3. Filterovú jednotku jemne poklopte a umyte. Nepoužívajte horúcu vodu alebo čistiace prostriedky. Z filtra odstráňte prebytočnú vodu a pred opätovným použitím ho nechajte úplne vyschnúť. [21,22]
4. Po úplnom vysušení založte naspäť filterovú jednotku a uložte do vysávača zasunutím a zatlačením naspäť na miesto. [20]
5. Uzamknite kryt výfukového filtra stlačením hrany so západkami. Po zapadnutí dvierok výfukového filtra na miesto budete počuť kliknutie. [19]

**DÔLEŽITÉ:** Nepoužívajte výrobok bez toho, aby bol založený predfilter motora.

#### Čistenie nádoby na prach/separačnej jednotky

Tento vysávač používa špeciálny separačný systém spoločnosti Hoover. V prípade potreby je možné separačnú jednotku odmontovať od nádoby na prach a vyčistiť.

1. Stlačte tlačidlo uvoľnenia nádoby na prach a vytiahnite nádobu na prach z vysávača. [14]
2. Nádobu na prach držte jednou rukou a na otvorenie nádoby na prach druhou stlačte uvoľňovacie tlačidlo krytu nádoby na prach. [15]
3. Odoberte hľadač vírov (červený) z tela cyklónu. [16]
4. Odoberte telo cyklónu z nádoby na prach. [17]
5. V prípade potreby použite na odstránenie prachu z červeného hľadača vírov a z povrchu tela cyklónu handru.
6. Umiestnite nádobu na prach pod vodovodný kohútik. [21] Opláchnite letnou vodou. Vnútorne povrchy nádoby na prach umývajte iba vodou. Na umývanie vnútorných častí nádoby na prach NEPOUŽÍVAJTE mydlové čistiace prostriedky.
7. Znova nasadte vnútorný komponent do nádoby na prach a uistite sa, že sú všetky komponenty suché.
8. Zatvorte kryt nádoby na prach a vložte zostavu s nádobou naspäť do vysávača.

#### Odstránenie zablokovania

1. Skontrolujte, či nie je nádobu na prach plná. Ak áno, prečítajte si časť Vyprázdenie nádoby na prach.
2. Ak je nádobu na prach prázdna, ale sací výkon je nízky:
  - A. Je potrebné vyčistiť filtre? Ak áno, prečítajte si časť Čistenie umývateľných filtrov.
  - B. Skontrolujte, či v systéme nedošlo k inému upchatiu. - Na odstránenie upchatia predĺžovacej trubice alebo ohybnej hadice použite tyč alebo palicu.
  - C. Skontrolujte umiestnenie predfiltera motora.
  - D. Skontrolujte, či nie je potrebné vyčistiť separačnú jednotku. Prečítajte si časť Čistenie separačnej jednotky.

#### Výmena batérie v diaľkovom ovládaní na rukoväti\* [23]

Ak diaľkové ovládanie na rukoväti nereaguje pri stlačení ktoréhokoľvek tlačidla, vymeňte batériu:

1. Použite skrutkovač, aby ste uvoľnili diaľkové ovládanie z rukoväte.
2. Pri výmene batérie zatlačte sponu na stranu, vyberte staré batérie, vložte nové a založte

sponu naspäť. Používajte len lítiový typ batérie CR2032 3 V.

## KONTROLNÝ ZOZNAM POUŽÍVATEĽA

Ak máte problém s výrobkom, pred obrátením sa na miestny servis spoločnosti Hoover vykonajte kontrolu podľa tohto zoznamu.

- Funguje elektrické napájanie vysávača? Skontrolujte pomocou iného elektrického spotrebiča.
- Je nádoba na prach preplnená? Preštudujte si časť „Údržba vysávača“.
- Nie je upchatý filter? Preštudujte si časť „Údržba vysávača“.
- Nie je upchatá hadica alebo hubica? Preštudujte si časť „Odstránenie zablokovania zo systému“.
- Nie je vysávač prehriaty? Ak áno, automatický reset potrvá približne 30 minút.
- Reaguje diaľkové ovládanie na rukoväti? Obráťte sa na časť „Výmena batérie v diaľkovom ovládaní na rukoväti“.

## DÔLEŽITÉ INFORMÁCIE

### Náhradné diely a spotrebný materiál Hoover

Vždy nahrádzajte diely originálnymi náhradnými dielmi od spoločnosti Hoover. Môžete si ich zakúpiť u svojho miestneho distribútora spoločnosti Hoover alebo priamo od spoločnosti Hoover. Pri objednávaní náhradných dielov vždy uvádzajte číslo modelu.

### Hoover Servis

So všetkými požiadavkami na služby sa prosím obráťte na miestne servisné stredisko spoločnosti Hoover.

### Kvalita

BSI ISO 9001: Kvalita v továrňach spoločnosti Hoover bola nezávisle posúdená. Naše výrobky sú vyrobené s využitím systému kvality, ktorý spĺňa požiadavky normy ISO 9001.

### Vaša záruka

Záručné podmienky pre tento spotrebič sú definované našim zástupcom v krajine, v ktorej sa predáva. Podrobnosti týkajúce sa týchto podmienok je možné získať u obchodníka, u ktorého bol spotrebič zakúpený. Pri uplatňovaní nárokov podľa podmienok tejto záruky je nutné predložiť doklad o predaji alebo úhrade. Môžu sa zmeniť bez predchádzajúceho upozornenia.

## GÜVENLİ KULLANIM TALİMATLARI

Bu ürün kullanım kılavuzunda belirtildiği gibi yalnızca ev temizliği için kullanılmalıdır. Lütfen ürünü kullanmadan önce bu kılavuzun tam olarak anlaşıldığından emin olun.

Süpürgeci fişini prize takılı bırakmayın. Cihazı kullanmadan veya temizlemeden önce ya da herhangi bir bakım işleminden önce daima kapalı konuma getirin ve fişi prizden çekin.

Bu cihaz 8 yaş ve üzeri çocuklar ve yetersiz fiziksel, duyuşsal veya zihinsel kabiliyete sahip kişiler ya da deneyim ve bilgi yoksunu kişiler tarafından bir yetişkinin gözetiminde veya cihazın güvenli bir şekilde kullanımı ile ilgili talimatı ve bulunan tehlikelerin açıkça anlatılması ile kullanılabilir. Çocuklar cihaz ile oynamamalıdır.

Temizleme ve bakım işlemi denetimsiz şekilde çocuklar tarafından yapılmamalıdır.

Güç kablosu hasar görürse cihazı kullanmayı derhal bırakın. Güvenliğin riske atılmaması için, elektrik kablosu mutlaka yetkili HOOVER servis teknisyeni tarafından değiştirilmelidir. Ellerinizi, ayaklarınızı, bol giysileri ve saçlarınızı dönen fırçalardan uzak tutun.

Yalnızca HOOVER tarafından önerilen veya sağlanan ek birimleri, sarf malzemelerini ya da yedek parçaları kullanın.

**Statik elektrik:** Bazı halılar düşük miktarda statik elektrik yüklenmesine sebep olabilir. Statik elektrik deşarjı sağlığa zararlı değildir.

Cihazınızı dış mekanlarda veya ıslak yüzeylerde ya da ıslak toplama için kullanmayın.

Sert veya keskin nesnelere, kibritleri, sıcak külleri, sigara izmaritleri veya diğer benzeri öğeleri toplamayın.

Yanıcı sıvıları, temizleme sıvılarını, aerosolleri veya spreyleri püskürtmeyin ya da toplamayın.

Cihazı kullanırken güç kablosu üzerine basmayın veya güç kablosundan çekerek prizden çıkarmayın.

Arızalı görünüyorsa cihazınızı kullanmaya devam etmeyin.

Cihazınızı kullanırken kablonun üzerinde durmayın veya kabloyu kolunuza ya da bacaklarınıza sarmayın.

Cihazı hayvanları veya insanları temizlemek için kullanmayın. Merdivenleri temizlerken cihazı sizden daha yükseğe yerleştirmeyin.

**Pilleri çocuklardan uzak tutun.**

**Pil yutulursa derhal bir hekime başvurun.**

Bitmiş piller cihazdan çıkarılıp güvenli şekilde atılmalıdır.

Cihaz uzun süre kullanmadan depolanacaksa piller çıkarılmalı ve güvenli şekilde saklanmalıdır.

Cihaz atılacağı zaman, öncelikle piller çıkartılmalıdır.

Pil çıkartılırken, cihaz şebeke beslemesinden çıkartılmalıdır.

Pilleri güvenli bir şekilde imha edin.

Sadece Lityum CR2032 3V tipi pil kullanın. Yeniden şarj edilebilir olmayan tip.

Piller doğru polaritede takılmalıdır: Pozitif kutup "+" üst taraftadır. [23]

Yeniden şarj edilebilir olmayan piller yeniden şarj edilmemelidir.

Pil terminalleri kısa devre yapılmamalıdır.

**HOOVER servisi:** Cihazın her zaman güvenli ve verimli bir şekilde kullanılabilmesi için, her türlü bakım veya onarım işinin sadece yetkili HOOVER servis teknisyenleri tarafından yapılmasını öneririz.

### Çevre

Bu aygıtta bulunan sembol aygıtın ev atığı gibi işlem yapılamayacağını belirtir. Bunun yerine uygun elektrikli ve elektronik ekipman geri dönüşüm toplama noktasına teslim edilmelidir. İmha, atık imhası için düzenlenen yerel çevre yönetmeliklerine uygun olarak yapılmalıdır. Bu aygıtta ait işlem, kurtarma ve geri dönüşümle ilgili daha ayrıntılı bilgi için, lütfen yerel şehir ofisinizi, ev atığı ve çöp atma servisinizi ya da aygıtı satın aldığınız mağaza ile irtibata geçin.



### Hi-Controller Uzaktan Kumandalı Modeller için:

Frekans bantları	300Mhz ~ 450Mhz
Frekans bandında iletilen maksimum RF gücü	11 dBm

**C** Bu Candy Hoover Group Srl ile, cihazın 2014/53/EU ve 2011/65/EU Yönetmeliklerinin temel gereksinimlerine uygun olduğu beyan edilir. Uygunluk beyanının bir kopyasını almak için lütfen www.candy-group.com adresinden üretici ile irtibata geçin

#### Diğer tüm Modeller için:

**C** Bu ürün 2014/35/EU, 2014/30/EU ve 2011/65/EU' Avrupa Direktiflerine göre uygundur.

CANDY HOOVER GROUP S.r.l. Via Privata Eden Fumagalli, 20861 Brugherio (MB) Italy

### SÜPÜRGENİZİN PARÇALARI

- |  |  |
|--|--|
| A. Çöp Kutusu Grubu  | O. Yumuşak Kavrama, Emme Regülatörü  |
| B. Elektrikli Süpürge Ana Gövdesi  | Ve Entegre Aksesuarlar (Aralık Başlığı, Toz Alma Forçası ve Mobilya Başlığı) |
| C. Açma/Kapama Pedalı  | İle Gelişmiş Konforlu Kol* (Bkz. 'Na')                                       |
| D. Park Yuvası   | P. Yumuşak Kavrama, Emme Regülatörü ve Entegre Aralık Başlığı İle Temel Kol* |
| E. Çöp Kutusu Serbest Bırakma Düğmesi  | Q. Teleskobik Boru**   |
| F. Kablo Sarma Makarası Pedalı   | Q1. Teleskobik Boru Güvenli Bağlantısı*                                      |
| G. Toz Torbası   | Q2. Teleskobik Boru Ayarlayıcısı**   |
| H. Siklon Gövdesi  | R. Halı ve Zemin Başlığı Güvenli Bağlantısı*                                 |
| I. Girdap Bulucusu ( Metalik Kırmızı )   | S. Yüzey Seçme Pedalı  |
| J. Çöp Kutusu Kapağı   | T. Halı ve Zemin Başlığı Kaydırıcısı*  |
| K. Çöp Kutusu Kanadını Serbest Bırakma Tetiği  | U. Halı ve Zemin Başlığı (GP)**  |
| L. Çöp Kutusu Kapağını Serbest Bırakma Düğmesi   | U1. Halı Başlığı (CA)**  |
| M. Hortum  | U2. Sert Zemin Başlığı (HF)**  |
| N. Yumuşak Saplı Hi-Controller Uzaktan Kumanda Kolu*   | V. Ön motor filtresi   |
| N1. Değişken Güç Kontrol Düğmeleri   | W. Çıkış Filtresi  |
| N2. Sessiz Güç Düğmesi   | X. Mini Turbo Çift Hareketli Evcil Hayvan Tüyü Temizleyici Başlık*           |
| N3. Açma/Kapama Düğmesi  | Y. Mini Turbo Çift Hareketli Alerjen Temizleyici Başlık*                     |
| N4. Kol Uzaktan Kumandası Led Pil Göstergesi   | Z. Parke Ekstra Bakım Başlığı*   |
| Na. Kol üzerinde bulunan Entegre Aksesuarlar: Aralık başlığı, Toz Alma Fırçası ve Mobilya başlığı* | AA. Parke Bakım Başlığı*   |
|  | AB. Uzun 2'si 1 Arada Başlık *   |
|  | AC. Mobilya Başlığı XL*  |

\*Sadece bazı modeller için \*\* Modele göre değişiklik gösterebilir

### SÜPÜRGENİZİ KURMA

Tüm parçaları ambalajından çıkartın.

1. Hortumu süpürgenin ana gövdesine takın, yerine oturduğundan ve kilitletiğinden emin olun. Hortumu çözmek için: hortumun uçlarına basın ve çekin. [1]
2. Hortum kolunu\*\* üst boru ucuna bağlayın. [2]
3. Borunun alt ucunu halı ve zemin başlığına\*\* veya gerekli olduğunda aksesuarlara bağlayın. [3]

### SÜPÜRGENİZİN KULLANIMI

1. Güç kablosunu uzatın ve güç kaynağına takın. Kabloyu kırmızı işaretli bölgeden öteye çekmeyin. [4]
2. Teleskobik boru ayarlayıcısını hareket ettirerek teleskobik boruyu\*\* istenilen yüksekliğe ayarlayın ve boruyu en rahat temizleme konumuna yükseltin veya indirin. [5]
3. Teleskopik borunu alt ucunu Halı ve Zemin Başlığına\*\* veya gerekliyse aksesuarlara bağladıktan sonra zemin türü için ideal temizleme modunu seçmek için başlığın üzerindeki zemin türü seçici\* pedalına basın.  
**Sert Zemin** – Fırçalar zemini korumak için geri çekilir.  
**Halı** – Daha derin temizlik için fırçalar yukarı kaldırılır.

#### Halı ve Zemin Başlığı\*\*: [6]

- **Sert zemin Temizliği** Sert Zemin modunda başlığın üzerindeki pedala basın ve başlığın üzerindeki kaydırıcıyı TUM ZEMİNLER üzerine getirin. Bu konumda, sert zeminlerin korunması için fırçalar, tekerlekler ve silecek lastiği aşağı indirilir. [6a]

- **Standart Halı ve Kilim Temizliği:** Başlığın üzerindeki pedala basarak Halı moduna getirin ve başlık üzerindeki kaydırıcıyı TUM ZEMİNLER olarak ayarlayın. Bu konumda fırçalar ve silecek lastiği yukarı kaldırılır ancak yüzeyde hareket kolaylığı için tekerlekler indirilir. [6b]

- **Derinlemesine Halı Temizliği:** Başlığın üzerindeki pedala basarak Halı moduna getirin ve başlık üzerindeki kaydırıcıyı DERİNLEMESİNE HALI TEMİZLİĞİ olarak ayarlayın. Bu konumda fırçalar, silecek lastiği ve tekerlekler halınızın derinlemesine temizlenmesi için yukarı kaldırılır. [6c]

**UYARI:** Pedalın sert zemin, kaydırıcının ise derinlemesine halı temizliği olarak ayarlandığı durumlarda ahşap zeminlerin çizilmesinin önlenmesi önerilir.

4. Temizleyici ana gövdesinde bulunan Pedalı [7] Açık/Kapalı konumuna getirerek ya da hortum kolunda\*\* bulunan düğmeyi Açık/Kapalı konumuna getirerek temizleyiciyi açın. [8]
5. Hortum sapının\* üzerindeki değişken güç kontrol düğmesine basarak güç düzeyini ayarlayın. [9]

#### Ayarlar bulunan Hi-Controller Kol\*:

- **Temizleyiciyi açın/kapatın.** Açık/kapalı düğmesine basın. [8]
- **Değişken güç kontrolü:** Gücü ayarlamak için "+" , "-" düğmelerine basın. [9]
- **Sessiz Güç Modu:** Azaltılmış bir ses seviyesinde iyice temizlemek için sessiz güç düğmesine basın. [10]

#### Kol üzerinde bulunan entegre aksesuarlar:

- **Dahili Aralık Başlığı :** Hortum kolu ucu, dar alanlara erişmek için bir aralık başlığı olarak kullanılabilir.

- **Mobilya Başlığı** : Kolun her iki tarafında bulunan mandallara basın ve aşağıya doğru kaydırarak yumuşak yüzeyleri ve kumaşları (perdeler, döşeme) temizlemek üzere mobilya başlığını serbest bırakın. [11]
- **Toz Alma Fırçası**: Kolun her iki tarafında bulunan mandallara basın ve aşağıya doğru kaydırın, ardından kaydırıcıyı uca iterek dahili toz alma fırçasını serbest bırakın. Sert yüzeyler (kitap rafları, klavyeler, süpürgelikler) için uygun. [11]

#### Gelişmiş Konforlu Kol\*:

- **Emiş Kontrolü** : Kol üzerinde bulunan hava valfini açarak ya da kapatarak emme gücünü ayarlayın. [12]

#### Kol üzerinde bulunan entegre aksesuarlar :

- **Dahili Aralık Başlığı** : Hortum kolu ucu, dar alanlara erişmek için bir aralık başlığı olarak kullanılabilir.
- **Mobilya Başlığı** : Kolun her iki tarafında bulunan mandallara basın ve aşağıya doğru kaydırarak yumuşak yüzeyleri ve kumaşları (perdeler, döşeme) temizlemek üzere mobilya başlığını serbest bırakın. [11]
- **Toz Alma Fırçası** : Her iki tarafta bulunan mandallara basın ve aşağıya doğru kaydırın, ardından kaydırıcıyı uca iterek dahili toz alma fırçasını serbest bırakın. Sert yüzeyler (kitap rafları, klavyeler, süpürgelikler) için uygun. [11]

#### Temel Kol\*:

- **Emiş Kontrolü** : Kol üzerinde bulunan hava valfini açarak ya da kapatarak emme gücünü ayarlayın. [12]
- **Dahili Aralık Başlığı** : Hortum kolu ucu, dar alanlara erişmek için bir aralık başlığı olarak kullanılabilir.

Hortum kolunda\* bulunan Açma/Kapama Pedalı veya Açma/Kapama Düğmesine basarak kullanım sonunda kapatın. Güç kablosunu prizden çekin ve kablo geri sarma pedalına basarak geri sarın.

#### Park etme ve depolama kısmı

Boru, depolama veya kullanım sırasında geçici depolama için temizleyicinin arkasına veya altına park edilebilir. [13]

## AKSESUARLAR

En iyi performans ve verimliliği için ana temizleme işlemlerinde doğru başlıkların kullanılması önerilir. Bu başlıklar, şemalarda **GP**, **HF** veya **CA** harfleri ile gösterilmiştir.

**GP** tip başlıklar halı ve sert zemin temizliğinde kullanılabilir.

**HF** tip başlıklar yalnızca sert zemin üzerinde kullanıma uygundur.

**CA** tip başlıklar sadece halı üzerinde kullanım için uygundur

Diğer başlıklar uzman temizlik işlemleri içindir ve bu başlıkların yalnızca arada sırada kullanılması önerilir.

Tüm aksesuarlar, tutma sapı sonuna veya teleskopik boru sonuna yerleştirilebilir.

**Çift Hareketli Evcil Hayvan Tüyü Temizleme Başlığı\*** - Merdivenler veya tekstil yüzeylerinde derinlemesine temizlik sağlar; temizlenmesi zor alanlar için mini turbo başlığı kullanılabilir. Özellikle hayvan tüylerinin giderilmesi için uygundur. [X]

**Çift Hareketli Alerjen Temizleme Başlığı\***– Merdivenler, temizlenmesi zor alanlar ve dokuma kumaş yüzeylerde derinlemesine temizlik için mini turbo başlığı kullanılabilir, özellikle alerjen giderme için uygundur. [Y]

\*Sadece bazı modeller için \*\* Modele göre değişiklik gösterebilir

**Parke Ekstra Bakım ve Parke Bakım başlıkları\*** – Parke ve diğer hassas zeminler içindir. [Z(30cm) , AA(25cm)]

**Uzun 2'si 1 Arada Başlık\*** – Aralık başlığı ve toz alma fırçası - Kitap rafları ve yüksek köşeler gibi erişilmesi zor alanları temizlemeyi sağlar. [AB]

**Mobilya Başlığı XL\*** - Kanepe, yatak ve koltuk gibi geniş ve yumuşak yüzeylerin temizliği için idealdir. [AC]

**ÖNEMLİ:** Mini Turbo Başlığı uzun saçaklı halılarda, hayvan postlarında, 15 mm'den daha uzun havlı halılarda kullanmayınız. Fırça dönyerken başlığı sabit tutmayın.

## SÜPÜRGENİZİN BAKIMI

#### Toz haznesini boşaltma

Toz, kaptaki maksimum seviye göstergesine ulaştığında, toz torbasının boşaltılması gerekir.

**ÖNEMLİ:** Yüksek performans için toz seviyesi asgari düzeyin üzerine çıkmamalıdır.

1. Süpürgeyi güç kaynağından kapatın ve güç kablosunu prizden çekin.
2. Toz tutucu serbest bırakma düğmesine basın ve hazne tertibatını süpürgeден çıkarın. [14]
3. Çöp kutusunu tek elle tutun ve çöp kutusu kanadını serbest bırakma tetiğine basın. [17]
4. Çöp kutusu kanadını kapatın ve temizleyici ana gövdesine tekrar takın. [14]

#### Yıkanebilir filtrelerin temizlenmesi

Süpürge ön motor filtresi ve çıkış filtresiyle donatılmıştır. En üst düzeyde temizlik performansını sağlamak için filtreleri düzenli olarak çıkarın ve atık haznesinin yanlarına vurarak tozları boşaltın. Filtreler her 5 hazne boşaltımında veya aşırı toz seviyesine geldiğinde yıkanmış olmalıdır.

**ÖNEMLİ:** Tüm torbasız süpürgeler, düzenli olarak filtre temizliğine ihtiyaç duyarlar. Hava tıkanıklığı, fazla ısınma ve ürün arızası, filtrelerinizi yıkamayı aksatmanızın sonucu olabilir. Bu garantinizi geçersiz kılabilir.

**ÖNEMLİ:** Filtrelerinizi düzenli olarak denetleyin ve bakımını yapın.

**ÖNEMLİ:** Kullanmadan önce her zaman filtre paketinin tamamen kuru olduğundan emin olun.

#### Filtreye erişmek için:

1. Toz tutucu serbest bırakma düğmesine basın ve hazne tertibatını süpürgeден çıkarın. [14]
2. Çöp kutusunu tek elle tutun ve diğer elle çöp kutusu kapağını serbest bırakma düğmesine basarak kutu kapağını açın. [15]
3. Kutu kapağında bulunan ön motor filtresini çıkarın. [18]
4. Ön motor filtresine hafifçe vurun ve yıkayın. Sıcak su veya deterjan kullanmayın. Filtredeki fazla suyu giderin ve tekrar kullanmadan önce tamamen kurumaya bırakın. [21,22]
5. Tamamen kurduğunda ön motor filtresini çöp kutusu kapağına tekrar monte edin ve temizleyiciye tekrar takın.

**ÖNEMLİ:** Filtre paketini yerleştirmeden ürünü kullanmayın.

#### Çıkış filtresine erişmek için:

1. İki butona da basarak ve ana süpürge gövdesinden dışarı çekerek, çıkış filtresi kapısının kilidini açın. [19]
2. Egzoz filtresinin çekme halkasını çekerek filter paketini yuvadan çıkarın. [20]
3. Filtre ünitesini yavaşça vurun ve yıkayın. Sıcak su veya deterjan kullanmayın. Filtreden fazla suyu alın ve kullanmadan önce tamamen kurumaya bırakın. [21,22]
4. Tam kurduğunda yerine geri takıp tamamen yuvasına iterek Filtre paketini temizleyiciye tekrar monte edin. [20]
5. Klipsleri olan kenara bastırarak çıkış filtresini kilitleyin, çıkış filtresi kapağı yerine takıldığı zaman bir klik sesi duyacaksınız. [19]

**ÖNEMLİ:** Filtre paketini yerleştirmeden ürünü kullanmayın.

#### **Toz haznesini / ayırma ünitesini temizleme**

Bu süpürge, Hoover'e özel ayrı bir sistem kullanmaktadır. Gerekirse ayırma ünitesi toz haznesinden ayrılabilir ve temizlenebilir.

1. Toz tutucu serbest bırakma düğmesine basın ve hazne tertibatını süpürgeден çıkarın. [14]
2. Toz haznesini açmak için toz haznesini tek elinizle tutun ve diğer elinizle toz haznesi kapağının serbest bırakma düğmesine basın. [15]
3. Girdap Bulucuyu (Kırmızı) siklon gövdesinden çıkarın. [16]
4. Siklon gövdesini çöp kutusundan çıkarın. [17]
5. Gerekirse kırmızı girdap bulucu ve siklon gövde yüzeyinden fazla tozu temizlemek için bir bez kullanın.
6. Çöp kutusunu çeşmenin altına yerleştirin. [21] Ilık suyla çalkalayın. Çöp kutusunun dahili yüzeylerini yalnızca suyla yıkayın. Çöp kutusunun iç kısımlarını yıkamak için sabunlu deterjanlar KULLANMAYIN.
7. Çöp kutusunun dahili bileşenini tüm bileşenlerin kuru olduğundan emin olarak yeniden monte edin.
8. Çöp kutusu kapağını kapatın ve çöp kutusu grubunu temizleyiciye tekrar takın.

#### **Sistemde Oluşan Tıkanıklığın Giderilmesi**

1. Toz haznesinin doluluğunu kontrol edin. Doluyorsa, "Toz haznesini boşaltma" bölümüne bakın.
2. Eğer Toz Kutusu boş ise ancak emme hala düşük ise:
  - A. Filtrelerin temizlenmeye mi ihtiyacı var? Eğer ihtiyaç varsa 'Yıkanebilir filtreleri temizleme' bölümüne başvurun.
  - B. Sistemde başka herhangi bir tıkanıklık olup olmadığını kontrol edin. - Borunun iç hattından veya esnek hortumdan herhangi bir tıkanıklığı gidermek için rod veya karşıt uç kullanın.
  - C. Ön motor filtresinin takılı olup olmadığını kontrol edin.
  - D. Ayırıştırma ünitesinin temizlenmesi gerekip gerekmediğini kontrol edin. Bkz. 'Ayırıştırma ünitesini temizleme'

#### **Kol uzaktan kumanda pilinin değiştirilmesi\* [23]**

Kolda bulunan uzaktan kumandalar, herhangi bir düğmeye basıldığında yanıt vermezse lütfen pili değiştirin:

1. Uzaktan kumandayı koldan serbest bırakmak için tornavida kullanın.
2. Pili değiştirmek için klipsi bir kenara itin, eski pilleri çıkarın, değiştirin ve klipsi yerine geri takın. Sadece Lityum CR2032 3V tipi pil kullanın.

### **KULLANICI KONTROL LİSTESİ**

Ürün ile ilgili bir problem olduğunda, yetkili Hoover servisini aramadan önce bu basit kullanıcı kontrol listesini tamamlayın.

- Süpürgeye elektrik geliyor mu? Lütfen başka bir elektrikli cihaz ile kontrol edin.
- Toz haznesi aşırı dolmuş mu? Lütfen 'Süpürge Bakımı' bölümüne başvurunuz.
- Filtre tıkalı mı? Lütfen 'Süpürge Bakımı' bölümüne başvurunuz.
- Hortum veya başlık tıkalı mı? Lütfen 'Sistemden tıkanıklık giderilmesi' bölümüne başvurunuz.
- Süpürge fazla mı ısındı? Eğer öyleyse, otomatik sıfırlama 30 dakika sürecektir.
- Kolda bulunan uzaktan kumanda yanıt vermiyor mu? Lütfen 'Kol uzaktan kumanda pilinin değiştirilmesi' bölümüne bakın.

### **ÖNEMLİ BİLGİLER**

#### **Hoover yedek parça ve sarf malzemeleri**

Parçaları daima orijinal Hoover parçaları ile değiştirin. Bu parçaları Hoover servislerinden tedarik edebilirsiniz. Parça siparişi verirken mutlaka cihazın model numarasını belirtin.

#### **Hoover Servisi**

Herhangi bir hizmete ihtiyacınız olduğunda, lütfen bölgenizdeki Hoover Müşteri Hizmetleri ile irtibata geçiniz.

#### **Kalite**

BSI ISO 9001: Hoover fabrikalarının kalitesi bağımsız olarak takdir almıştır. Ürünlerimiz, ISO 9001 gereksinimlerini içeren bir kalite sistemi kullanılarak üretilmektedir.

#### **Garanti**

Bu cihaz için garanti koşulları, cihazın satıldığı ülkedeki temsilcimiz tarafından tanımlanmaktadır. Bu koşullara ilişkin ayrıntılar cihazın satın alındığı bayiden edinilebilmektedir. Bu garanti koşulları altında yapılan talepte satış fişi(faturası) ve makbuzu ibraz edilmiş olmalıdır.

Haber verilmeksizin değişiklikler yapılabilir.

## BIZTONSÁGOS HASZNÁLAT

Ezt a készüléket kizárólag háztartási célra, a felhasználói útmutatóban leírtak szerint lehet használni. Kérjük, a készülék használata előtt bizonyosodjon meg róla, hogy az összes utasítást megértette-e.

A készüléket ne hagyja a hálózatra csatlakoztatva. A használatot követően, illetve tisztítási vagy karbantartási műveletek előtt mindig kapcsolja ki a készüléket és távolítsa el a csatlakozót az aljzatból.

Ezen készüléket 8 éves, vagy annál idősebb gyerekek, valamint csökkent fizikai, érzékelési, vagy mentális képességekkel, továbbá tapasztalat nélküli személyek csak felügyelet mellett használhatják, továbbá ha a készülék használatára vonatkozó útmutatásokat megkapták, és biztonságosan tudják a készüléket használni, és megértették az azzal járó veszélyeket. Gyerekek nem játszhatnak a készülékkel.

A tisztítás, és a karbantartást nem végezheti el gyerek, felügyelet nélkül.

Ha a tápvezeték megsérült, azonnal hagyja abba a készülék működtetését. A biztonsági kockázat elkerülése érdekében egy HOOVER szakszerviznek kell kicserélnie a tápvezetékét. A forgó keféktől tartsa távol kezét, lábát, a laza ruházatot és haját.

Csak a HOOVER által javasolt tartozékokat, fogyóeszközöket és pótalkatrészeket használja.

**Statikus elektromosság:** Némelyik szőnyeg típus statikus elektromossággal is feltölthető. A statikus kisülések nem életveszélyesek.

A készüléket ne használja kültéren, nedves felületen, illetve nedvesség felszívására.

Ne szívjon fel kemény vagy éles tárgyakat, gyufát, forró hamut, cigarettacsikket vagy hasonló tárgyakat.

A készülékkel ne szívjon fel vele gyúlékony folyadékokat, tisztítófolyadékokat, aerosolokat vagy ezek gőzeit.

Készüléke használatakor azt ne vezesse át a tápvezetéken, és a csatlakozót az aljzatból ne a tápvezeték meghúzásával távolítsa el.

Ha hibásnak tűnik, akkor ne használja tovább a készüléket. A készülék használatakor ne álljon a tápvezetékre és ne tekerje karjára vagy lábára.

A készüléket ne használja állatok vagy személyek tisztítására. Lépcsők tisztításakor ne helyezze önnél magasabbra a készüléket.

**Az akkumulátorokat tartsa távol a gyermekektől.**

**Az akkumulátor lenyelése esetén azonnal forduljon orvoshoz.**

Az elhasznált akkumulátorokat távolítsa el a készülékből és az előírásoknak megfelelően vigye hulladékgyűjtőbe.

Ha huzamosabb ideig nem fogja használni a készüléket, akkor távolítsa el az akkumulátorokat és tárolja biztonságosan azokat.

A készülék leselejtezése előtt távolítsa el az akkumulátort.

A készüléket az akkumulátor eltávolítása esetén le kell csatlakoztatni az elektromos hálózatról.

Biztonságos módon selejtezze le az akkumulátorokat.

Kizárólag lítium CR2032 3V típusú akkumulátort használjon. Nem újratölthető.

Az akkumulátorokat a megfelelő polaritással kell behelyezni. A pozitív pólusnak „+” felül kell lennie. [23]

A nem újratölthető akkumulátorokat ne töltsse újra.

Az akkumulátor kapcsolással ne okozzon rövidzárlatot.

**HOOVER szerviz:** A készülék folyamatos biztonságának és hatékony működésének biztosítása érdekében javasoljuk, hogy minden szervizelési és javítási munkát HOOVER szakszervizben végeztessen el.

### Környezetvédelem

A terméken lévő szimbólum azt jelzi, hogy a készülék nem kezelhető háztartási hulladékként. A készüléket egy elektromos és elektronikus berendezések gyűjtésére szakosodott helyen kell leadni. A leselejtezést a helyi környezetvédelmi előírásoknak megfelelően kell végrehajtani. A kezeléssel és újrahasznosításával kapcsolatos részletesebb információért vegye fel a kapcsolatot a helyi önkormányzattal, hulladékkezelő társaságával, vagy az üzlettel, ahol a készüléket vásárolta.



### A Hi Controller távirányítóval működő modellekhez:

Frekvenciasávok	300Mhz ~ 450Mhz
Maximális RF teljesítmény a frekvenciasávban	11 dBm

**C** Ezzel a Candy Hoover Group Srl kijelenti, hogy a készülék megfelel a 2014/53/EU és a 2011/65/EU irányelv alapvető követelményeinek. Ha szeretne egy másolatot kapni a megfelelőségi nyilatkozatról, kérjük, hogy keresse fel a gyártót az alábbi linken [www.candy-group.com](http://www.candy-group.com)

**Minden más modellhez:**

**C** Ez a készüléket megfelel a 2014/35/EU, 2014/30/EU és 2011/65/EU európai direktíváknak.

CANDY HOOVER GROUP S.r.l. Via Privata Eden Fumagalli, 20861 Brugherio (MB) Italy

## A PORSZÍVÓ BEMUTATÁSA

- |  |   |
|--|---|
| A. Portartály egység   | és beépített tartozékokkal: réstisztító eszköz,               |
| B. Porszívó ház  | portalanító kefe, kárpittisztító kefe.* (Lásd Na)             |
| C. Kapcsolópedál   | P. Kényelmes fogantyú puha                                    |
| D. Parkoló pozíció nyílás  | markolattal, szívásszabályozóval                              |
| E. Porzsák kioldógomb  | és beépített réstisztítóval.*                                 |
| F. Vezetéktekerceselő pedál  | Q. Teleszkópos cső**  |
| G. Portartály  | Q1. Teleszkópos cső biztonsági csatlakozással*                |
| H. Ciklonos egység   | Q2. Teleszkópos cső beállító**                                |
| I. Vortex kereső (Metál piros)   | R. Szőnyeg és padló szívófej                                  |
| J. Portartály fedele   | biztonságos csatlakozással*                                   |
| K. Portartály csapó kioldógomb   | S. Padlótípus választó pedál                                  |
| L. Portartály fedelének kioldógombja   | T. Szőnyeg- és padlótisztító szívófej csúszkája*              |
| M. Tömlő   | U. Szőnyeg & padló szívófej (GP)**                            |
| N. Szabályzó távirányító fogantyú puha markolattal*  | U1. Szőnyeg szívófej (CA)**                                   |
| N1. Változtatható teljesítményszabályzó gombok   | U2. Keménypadló szívófej (HF)**                               |
| N2. Halk üzemmód gomb  | V. Előmotor szűrő   |
| N3. Ki/Be gomb   | W. Kimeneti szűrő   |
| N4. A távirányító markolatának LED-es akkumulátortöltöttség jelzője                              | X. Mini turbó kettős hatású kisállatszőr eltávolító szívófej* |
| Na. A markolat integrált tartozékai: réstisztító eszköz, portalanító kefe, kárpittisztító kefe.* | Y. Mini turbó kettős hatású allergén eltávolító szívófej*     |
| O. Kényelmes fogantyú puha markolattal, szívásszabályozóval                                      | Z. Parquet Extra Care szívófej*                               |
|  | AA. Parquet Care szívófej*                                    |
|  | AB. Hosszú 2 az 1-ben eszköz *                                |
|  | AC. Kárpittisztító XL*  |

\*Csak bizonyos modellek esetén \*\* Modelltől függően változhat.

## A PORSZÍVÓ ÖSSZESZERELÉSE

Minden tartozékot vegyen ki a csomagolásból.

1. Csatlakoztassa a tömlőt a készülékhez, és biztosítsa, hogy a cső a helyére kattanjon. A cső leszereléséhez: csak nyomja le a cső végén található reteszeket és húzza meg a csövet. [1]
2. Csatlakoztassa a csőmarkolatot\*\* a cső felső végéhez. [2]
3. Szükség esetén csatlakoztassa a cső alsó végét a szőnyeg- vagy padló szívófejhez\*\* vagy a tartozékokhoz. [3]

## A KÉSZÜLÉK HASZNÁLATA

1. Húzza ki a tápkábelt, majd csatlakoztassa a konnektorhoz. A tápkábelt soha ne húzza túl a piros jelölésen. [4]
2. Állítsa be a teleszkópos csövet a kívánt magasságra a teleszkópos\*\* cső állítójának mozgatásával, majd emelje meg az alsó csövet a legkényelmesebb tisztítási pozícióba. [5]
3. Miután szükség esetén csatlakoztatta a cső alsó végét a szőnyeg- vagy padló szívófejhez\*\* vagy a tartozékokhoz, nyomja meg a szívófejen lévő padlótípus-kiválasztó\* pedált a padlótípushoz tartozó ideális tisztítási mód kiválasztásához.

**Keménypadló** – A padló védelme érdekében a kefék leereszkenek.

**Szőnyeg** – A mélyebb tisztítás érdekében a kefék felemelkednek.

**Szőnyeg & padló szívófej\*\*:** [6]

- **Keménypadló tisztítása:** Nyomja a szívócsövön lévő pedált Keménypadló (Keménypadló) módba és állítsa a szívócsövön lévő csúszkát ALL FLOORS (Minden padlótípus) állásba. Ebben a pozícióban a kefék, kerekek és a törlőlapát a keménypadló védelme érdekében leereszkenek. [6a]

- **Hagyományos szőnyegek tisztítása:** Nyomja a szívócsövön lévő pedált Carpet (Szőnyeg) módba és állítsa a szívócsövön lévő csúszkát ALL FLOORS (Minden padlótípus) állásba. Ebben a pozícióban a kefék és a törlőlapát megemelkednek, a kerekek pedig az ilyen felületen történő tökéletes mozgás biztosítása érdekében leereszkenek. [6b]

- **Szőnyeg mélytisztítása:** Nyomja a szívócsövön lévő pedált Carpet (Szőnyeg) módba és állítsa a szívócsövön lévő csúszkát DEEP CARPET CLEANING (Szőnyeg mélytisztítása) állásba. Ebben a pozícióban a kefék, kerekek és a törlőlapát a szőnyeg mélyebb tisztítása érdekében felemelkednek. [6c]

**FIGYELEM:** A fa padlók karcolódásának lehetséges elkerülése érdekében javasoljuk, hogy a pedált ne állítsa keménypadló módba, a csúszkát pedig szőnyeg mélytisztítási állásba.

4. Kapcsolja be a készüléket a házon található [7] be/ki pedáljának megnyomásával vagy a tömlő markolatán\* lévő be/ki gomb megnyomásával. [8]

5. Az erősség beállításához használja a cső nyelén található erősség-beállító gombokat. [9]

**Szabályzó markolat opció beállításokkal\*:**

- **Kapcsolja be/ki a tisztítót:** Nyomja meg a be/ki gombot. [8]
- **Változtatható teljesítményszabályzó:** Nyomja meg a „+,” „-” gombokat a teljesítmény beállításához. [9]
- **Halk üzemmód** Nyomja meg a 'Halk üzemmód' gombot, hogy a zajszintet csökkentse. [10]



**A markolat integrált tartozékai:**

- **Beépített réstisztító eszköz** : A szűk helyek eléréséhez használandó.
- **Kárpittisztító** : Nyomja meg a fogantyú mindkét oldalán lévő reteszeket és csúsztassa lefelé a tisztítófejet a puha felületek és textíliák (függönyök, kárpitok) tisztításához. [11]
- **Porkefe**: Nyomja meg a fogantyú mindkét oldalán lévő reteszeket, majd csúsztassa lefelé, tolja a csúszkát a fogantyú végére a beépített portalanító kefe feloldásához. Ideális kemény felületekhez (könyvespolcok, billentyűzetek, szegélylécek). [11]

**Advanced Comfort fogantyú\*:**

- **Szívóerő szabályzó** : Állítsa be a szívóerőt a fogantyún lévő légszelep megnyitásával vagy lezárásával. [12]

**A markolat integrált tartozékai :**

- **Beépített réstisztító eszköz** : A szűk helyek eléréséhez használandó.
- **Kárpittisztító** : Nyomja meg a fogantyú mindkét oldalán lévő reteszeket és csúsztassa lefelé a tisztítófejet a puha felületek és textíliák (függönyök, kárpitok) tisztításához. [11]
- **Porkefe** : Nyomja meg a reteszeket mindkét oldalon, csúsztassa lefelé őket, majd tolja a csúszkát a fogantyú végére a beépített portalanító kefe kioldásához. Ideális kemény felületekhez (könyvespolcok, billentyűzetek, szegélylécek). [11]

**Essential markolat\*:**

- **Szívóerő szabályzó** : Állítsa be a szívóerőt a fogantyún lévő légszelep megnyitásával vagy lezárásával. [12]
- **Beépített réstisztító eszköz** : A szűk helyek eléréséhez használandó.

A használat végén nyomja le a be/ki pedált, vagy a cső fogantyúján lévő be/ki gombot \*. Húzza ki és tekerje fel a tápkábelt a kábel kábeltekercselő pedáljának megnyomásával.

**Parkoló pozíció és Tárolás**

A csövet a porszívó hátsó részén lehet parkoló állásban tárolni, és amikor nem szükséges, akkor ideiglenesen itt is tartható. [13]

**TARTOZÉKOK**

A legjobb teljesítmény és hatékonyság elérése érdekében javasolt a megfelelő szívófejet használni a fő tisztítási műveletekhez. Ezeket a szívófejeket az ábrákon a **GP**, **HF** vagy **CA** betűk jelzik.

A **GP** típusú szívófej a szőnyeg és keménypadló tisztítására használható.

A **HF** típusú fúvóka kizárólag keménypadlóhoz alkalmas.

A **CA** típusú szívófej kizárólag szőnyegen használható.

A többi szívófej különleges feladatokhoz való tartozék, és csak alkalmanként javasolt a használatuk.

Az összes tartozékot fel lehet szerelni a fogantyú végére vagy a teleszkópos cső végére.

**Kettős hatású kisállatszór eltávolító szívófej\*** - A mini turbó szívófejet lépcsőkhöz, textilfelületek mélytisztításához vagy egyéb, nehezen tisztítható felületek tisztításához használja. Különösen alkalmas háziállatok szőrének eltávolításához. [X]

**Kettős hatású allergén eltávolító szívófej\*** - Lépcsőkön használja a mini turbó szívófejet a textilfelületek és más nehezen tisztítható felületek mély tisztításához. Különösen alkalmas az allergének eltávolításához. [Y]

\*Csak bizonyos modellek esetén \*\* Modelltől függően változhat.

**Parquet Extra Care és Parquet Care szívófejek\*** – Parketta és egyéb kényes padlók tisztításához. [Z(30cm) , AA(25cm)]

**Hosszú 2 az 1-ben eszköz\*** – Réstisztító és portalanító kefe - Lehetővé teszi a nehezen elérhető helyek tisztítását, mint például a könyvespolc és a magas sarkak. [AB]

**Kárpittisztító XL\*** - Ideális nagy és puha területek, mint pl. kanapék, matracok és diványok tisztításához. [AC]

**FONTOS:** A mini turbó fejet ne használja hosszú szálú szőnyegeken, állati szőrmén és 15 mm-nél vastagabb szőnyegen. A fejet ne tartsa álló helyzetben, amikor a kefe forog.

**A PORSZÍVÓ KARBANTARTÁSA****A portartály ürítése**

A tartályt akkor kell ürítenie, amikor az eléri a tartályon látható maximális jelzést.

**FONTOS:** Az optimális teljesítmény fenntartása érdekében soha ne hagyja, hogy a por szintje a max szint fölé emelkedjen.

1. Kapcsolja ki a készüléket a főkapcsolóval, majd húzza ki az elektromos vezetékét.
2. Nyomja meg a portartályt elengedő gombot, és vegye ki a portartályt a takarítógépből. [14]
3. Tartsa meg egy kézzel a portartályt, majd nyomja meg a porzsák fedelének kioldóját. [17]
4. Zárja le a portartály fedelét, majd illessze vissza a készülék házba. [14]

**A mosható szűrők tisztítása**

A porszívó egy előmotor és egy kimeneti szűrővel rendelkezik. Úgy végezheti a legalaposabban a tisztítást, ha rendszeresen kiveszi a szűrőket, és a szemetes oldalának üttögeti azokat. A szűrőket a portartály körülbelül minden ötödik ürítését követően kell kimosni, vagy amikor a szűrőben nagyon sok por van.

**FONTOS:** Az összes porzsák nélküli porszívó a szűrőt rendszeres tisztítását igényli. A szűrők tisztításának elmulasztása a levegőáramlás megszűnését, túlmelegedést és a termék meghibásodását okozhatja. Ez garanciavesztést okozhat.

**FONTOS:** Ellenőrizze és tartsa karban rendszeresen a szűrőket.

**FONTOS:** Mindig győződjön meg a használat előtt arról, hogy a szűrők szárazak-e.

**A szűrő eléréséhez:**

1. Nyomja meg a portartályt elengedő gombot, és vegye ki a portartályt a takarítógépből. [14]
2. Fogja meg egyik kezével a portartályt, a másik kezével pedig nyomja meg a portartály kioldógombját a fedél kioldásához. [15]
3. Távolítsa el a portartály fedél alatt lévő előmotor szűrőt. [18]
4. Enyhén ütögesse meg és mossa ki az előmotor szűrőt. Ne használjon forró vizet vagy tisztítószert. Rázza ki a vizet a szűrőből, majd az ismételt használat előtt, hagyja, hogy teljesen megszáradjon. [21,22]
5. Szerelje vissza az előmotor szűrőt a porzsákra.

**FONTOS:** Ne használja a terméket beszerelt szűrőegység nélkül.

**A kipufogó előtti szűrő eléréséhez:**

1. Nyissa ki a kimeneti szűrő fedelét a két gomb megnyomásával és a tisztítógép fő

házból való kifelé húzással. [19]

2. Távolítsa el a szűrőegységet a kioldó gyűrű meghúzásával. [20]
3. Enyhén ütögesse meg, majd mossa meg a szűrőegységet. Ne használjon forró vizet vagy tisztítószer. Távolítsa el a felesleges vizet a szűrőből, és a használat előtt hagyja teljesen megszáradni. [21,22]
4. Szerelje vissza a szűrőcsomagot a megszáradását követően, majd szerelje össze a készüléket. [20]
5. Zárja le a kimeneti szűrő burkolatát a kapcsokat tartalmazó él megnyomásával. Egy kattantást fog hallani a kimeneti szűrő ajtajának a helyére illeszkedésekor. [19]

**FONTOS:** Ne használja a terméket beszerelt szűrőegység nélkül.

#### Tisztítsa meg a portartályt.

A gép egyedi Hoover szűrőrendszert használ. A porelválasztó egységet szükség esetén le lehet szerelni a portartályról és meg lehet tisztítani.

1. Nyomja meg a portartályt elengedő gombot, és vegye ki a portartályt a takarítógépből. [14]
2. Tartsa egyik kezében a portartályt, másik kezével pedig nyomja meg a portartályt elengedő gombot a portartály kinyitásához. [15]
3. Távolítsa el a Vortex egységet (piros) a ciklonos egységből. [16]
4. Távolítsa el a ciklonos egységet a portartályból. [17]
5. Szükség esetén törölje le egy ronggyal a felesleges port a piros Vortex egységről és a ciklonos egység belsejéből.
6. Helyezze a portartályt a csap alá. [21] Öblítse ki langyos vízzel. A portartály belső felületét kizárólag tiszta vízzel mossa le. NE HASZNÁLJON szappant a porzsák belsejének tisztításához.
7. Szerelje vissza a belső egységet a portartályba, meggyőződve arról, hogy az összes alkatrész megszáradt.
8. Zárja le a portartályt és szerelje vissza a készülékbe.

#### Eltömődés megszüntetése

1. Ellenőrizze, hogy a portartály megtelt-e. Ha igen, akkor lásd a "Portároló ürítése" részt.
2. Amennyiben a portartály üres, de a szívóerő ennek ellenére is gyenge:
  - A. A szűrők tisztítására van szükség: Amennyiben igen, olvassa el "A mosható szűrők tisztítása" című fejezetet.
  - B. Ellenőrizze, hogy nincs-e másfajta dugulás a rendszerben. - Használjon egy rudat vagy pálcát a csőben vagy a rugalmas tömlőben lévő elzáródások eltávolításához.
  - C. Ellenőrizze, hogy az előmotor szűrőt felszerelték-e.
  - D. Ellenőrizze, hogy a porszűrő egységet meg kell-e tisztítani. Lásd a ciklonos porelválasztó egység tisztítása részt.

#### A fogantyú távirányítójának akkumulátor cseréje\* [23]

Ha a fogantyú távirányítói nem reagálnak egyik gomb megnyomásakor sem, akkor cserélje ki az akkumulátort:

1. A csavarhúzó segítségével távolítsa el a távirányítót a fogantyúról.
2. Az elemek kicseréléséhez csak vegye le az elemdoboz tetejét, vegye ki a régi elemeket, tegye be az újakat, majd tegye helyére az elemdoboz tetejét. Kizárólag lítium CR2032 3V típusú akkumulátort használjon.

## FELHASZNÁLÓI ELLENŐRZŐLISTA

Amennyiben problémát észlel a termék működése során, a Hoover szerviz felhívása előtt ellenőrizze a következőket.

- A porszívó konnektora megfelelően működik-e? Kérjük, egy másik elektromos berendezés segítségével próbálja ki.
- A portartály túlságosan megtelt? Kérjük, tekintse meg "A porszívó karbantartása" című fejezetet.
- A szűrő eltömődött? Kérjük, tekintse meg "A porszívó karbantartása" című fejezetet.
- A tömlő vagy a szívófeje eltömődött? Lásd a "Rendszer eltömődésének megszüntetése" részt.
- A porszívó túlmelegedett? Ha igen, akkor körülbelül 30 percig tart az túlhevülés védelem automatikus törlése.
- Nem reagál a fogantyú távirányítója? Kérem, olvassa el a „fogantyú távirányítójának akkumulátorok cseréjét”.

## FONTOS INFORMÁCIÓ

### Hoover alkatrészek és fogyóeszközök

Az alkatrészeket minden esetben eredeti Hoover pótalkatrészekkel cserélje ki. Ezeket a helyi Hoover kereskedőtől vagy közvetlenül a Hoover szerviztől vásárolhatja meg. Az alkatrészek rendelésekor mindig adja meg a készülék modellszámát.

### Hoover szerviz

Amennyiben szervizelésre van szüksége, kérjük, vegye fel a kapcsolatot a legközelebbi Hoover Szervizközponttal.

### Minőség

BSI ISO 9001: A Hoover gyáraiban független minőségbiztosítás történik. A termékeket olyan minőségi rendszerek segítségével gyártjuk, melyek megfelelnek az ISO 9001 által támasztott összes követelménynek.

### Garancia

A garanciális feltételeket a termék értékesítési országában lévő képviselőnk határozza meg: [www.hoover.hu](http://www.hoover.hu) Ezzel kapcsolatos információkat attól a kereskedőtől kérhet, ahol a terméket megvásárolta, vagy vegye fel a kapcsolatot a helyi képviselőnkkel. A garanciális igények érvényesítéséhez a termék vásárlását igazoló blokk vagy számla bemutatására van szükség.

A változtatás jogát előzetes bejelentés nélkül fenntartjuk.