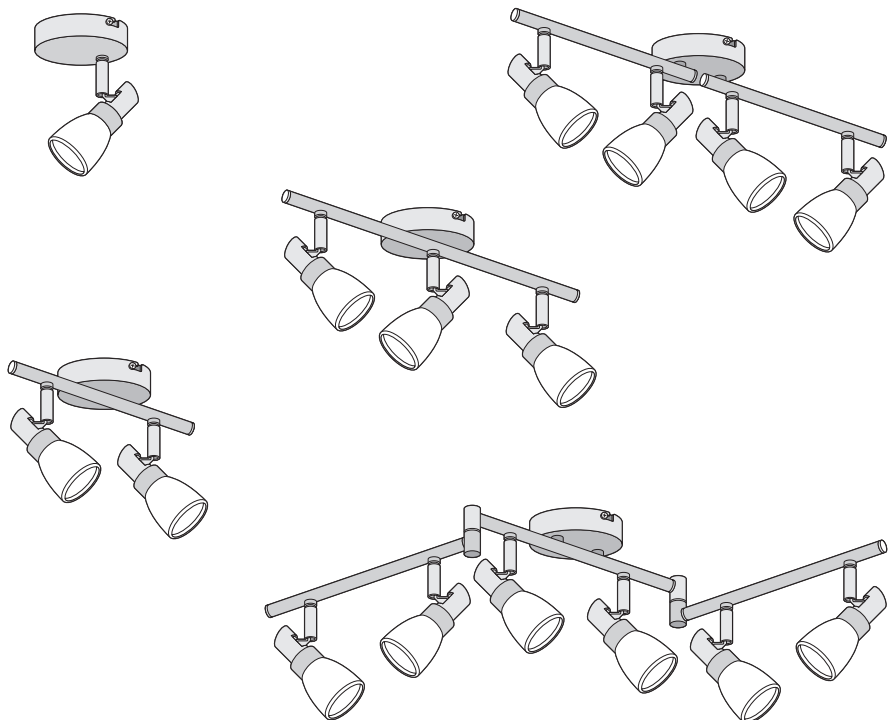

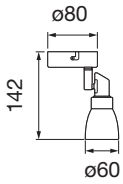





LED SPOT G9




	EAN	W	lm	K	°(°C)	V~	mA	Hz
LED SPOT G9 1x2W 827	4058075268005	1x2	200	2700	-20...+40	220-240	17	50/60
LED SPOT G9 2x2W 827	4058075268029	2x2	400	2700	-20...+40	220-240	2x17	50/60
LED SPOT G9 3x2W 827	4058075268067	3x2	600	2700	-20...+40	220-240	3x17	50/60
LED SPOT G9 4x2W 827	4058075268104	4x2	800	2700	-20...+40	220-240	4x17	50/60
LED SPOT G9 6x2W 827	4058075268128	6x2	1200	2700	-20...+40	220-240	6x17	50/60

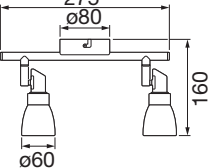
LED SPOT G9 1x2 W  226 g







2x  2x  1x  1x 


mm

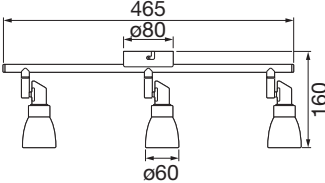
LED SPOT G9 2x2 W  431 g







2x  2x  2x  1x 


mm

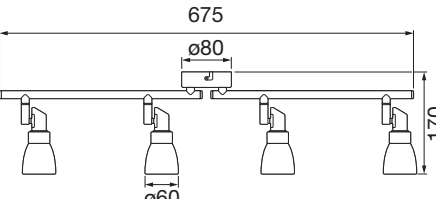
LED SPOT G9 3x2 W  620 g







2x  2x  3x  1x 


mm

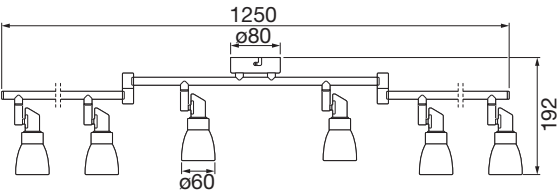
LED SPOT G9 4x2 W  856 g








2x  2x  4x  1x 

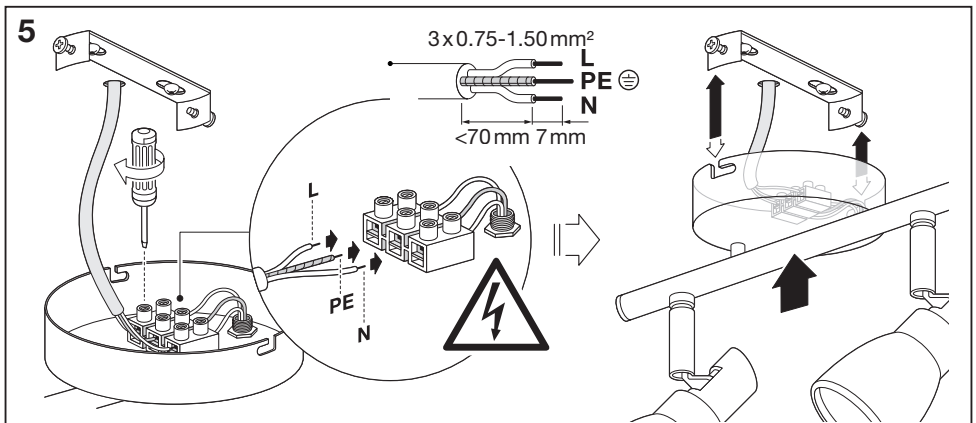
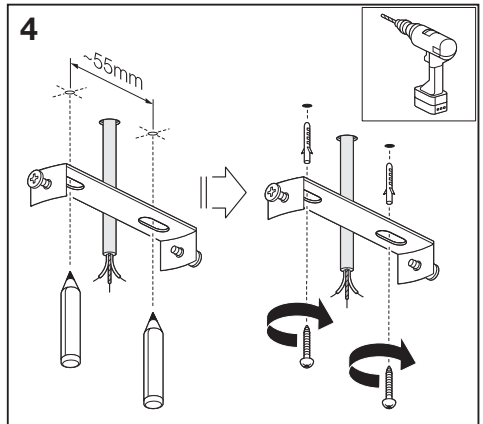
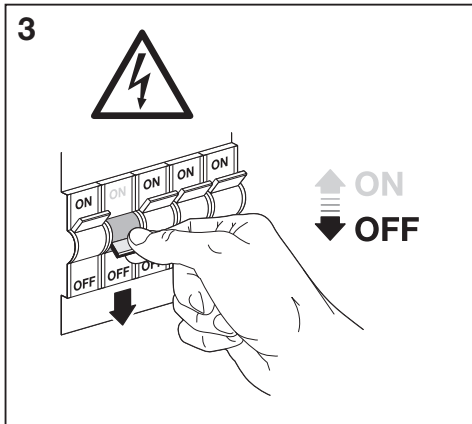
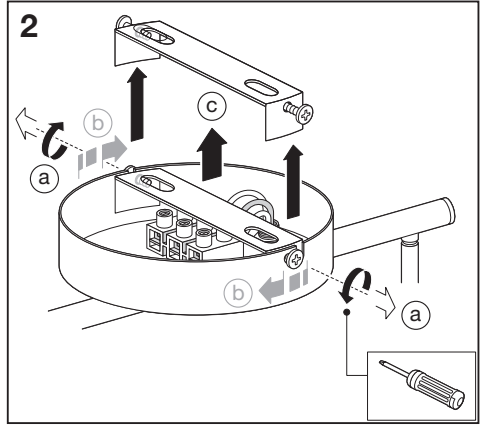
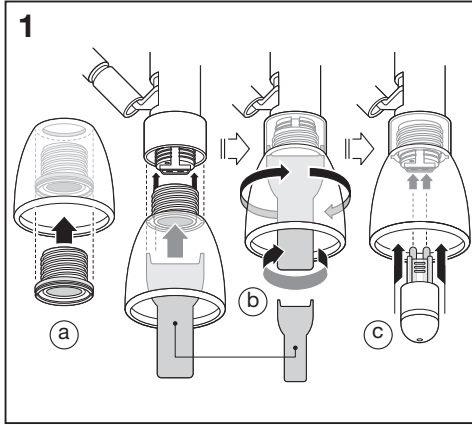
mm

LED SPOT G9 6x2 W  1364 g



2x  2x  4x  6x  1x 

mm



C10567405
G11069722
27.02.2019



LEDVANCE GmbH
Steinerne Furt 62
86167 Augsburg, Germany
www.ledvance.com