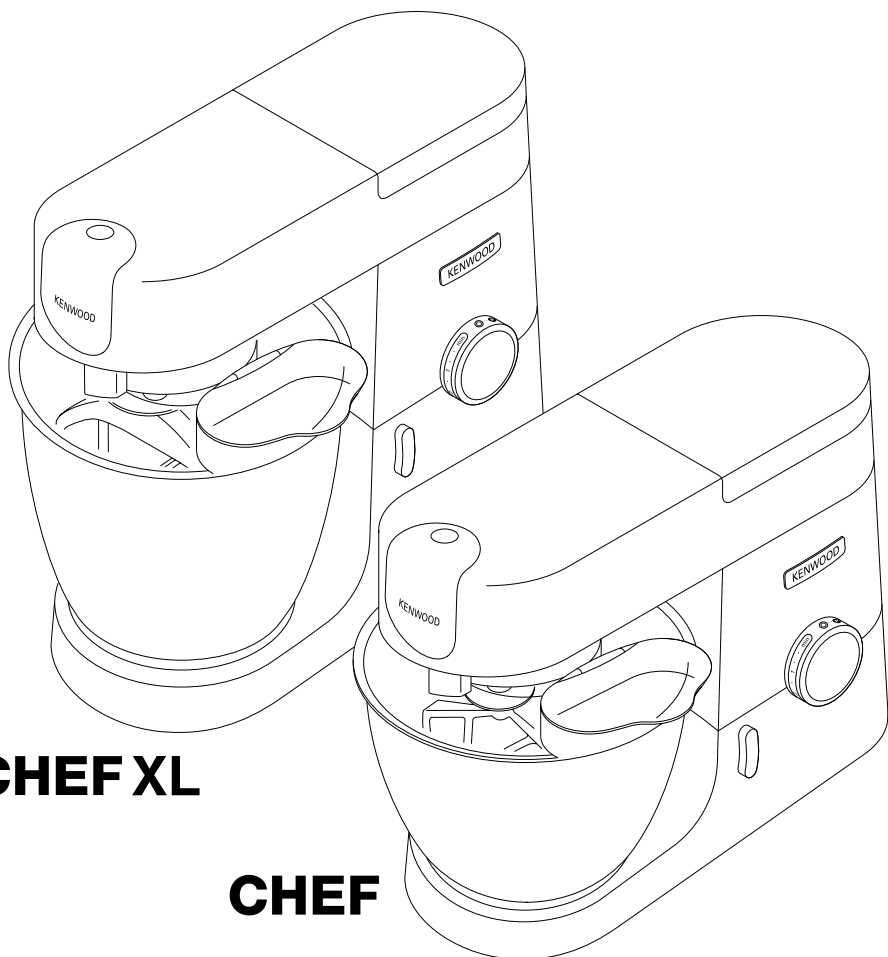


KENWOOD

TYPE KVC30 (Chef)

TYPE KVL40 (Chef XL)

instructions



CHEF XL

CHEF

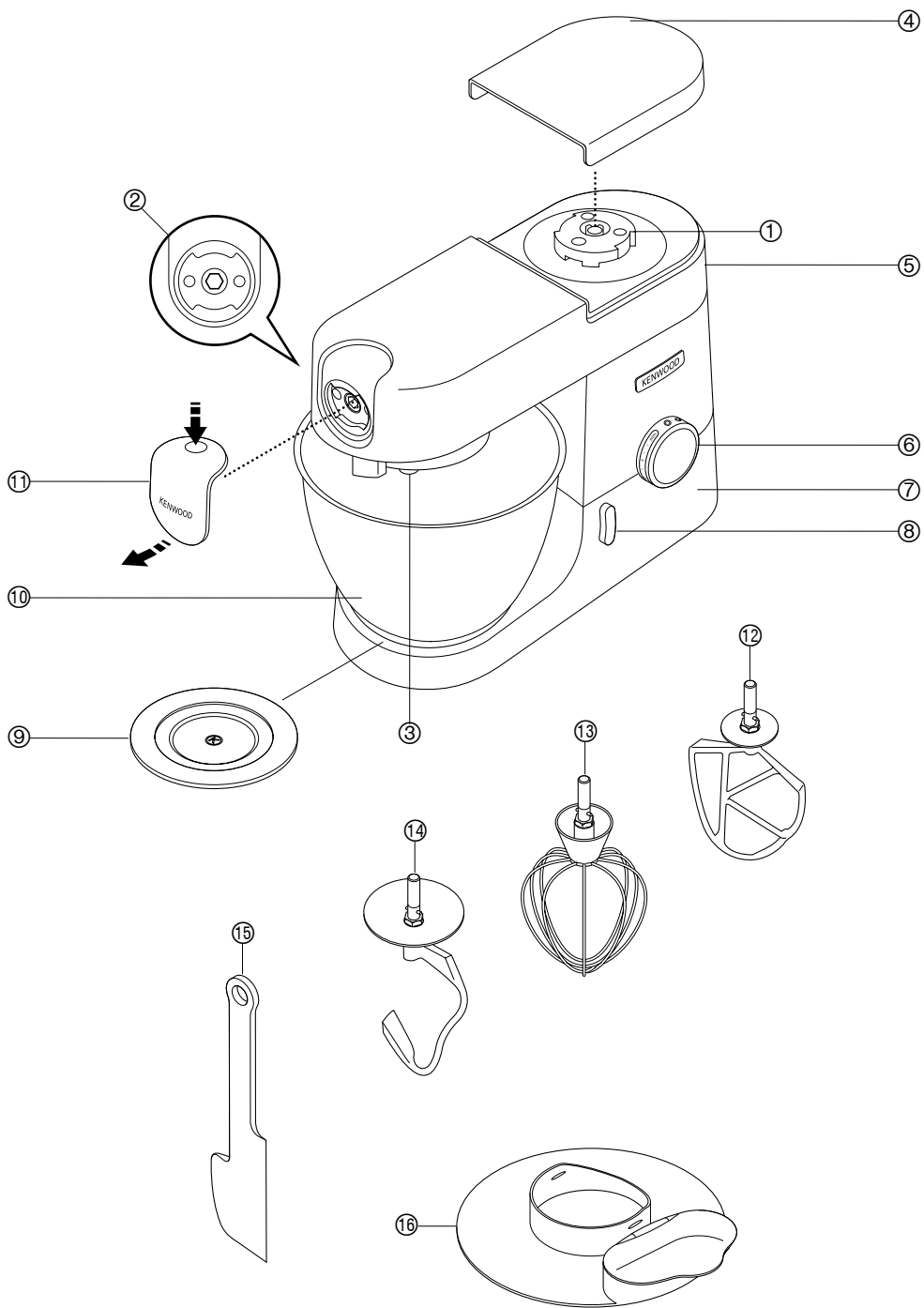
English 2 - 10

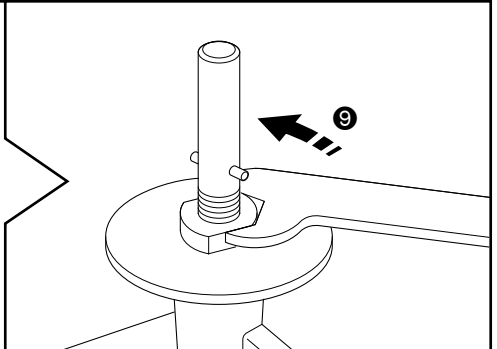
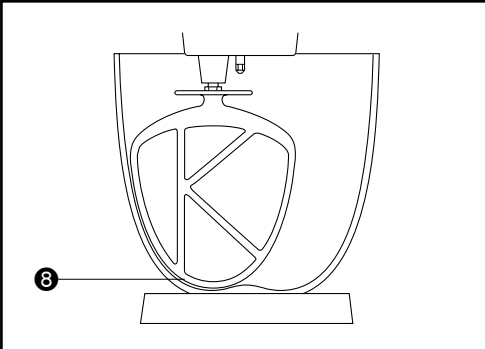
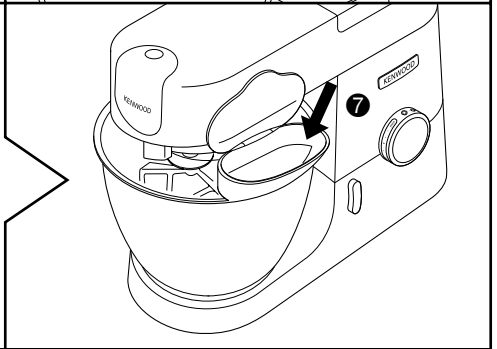
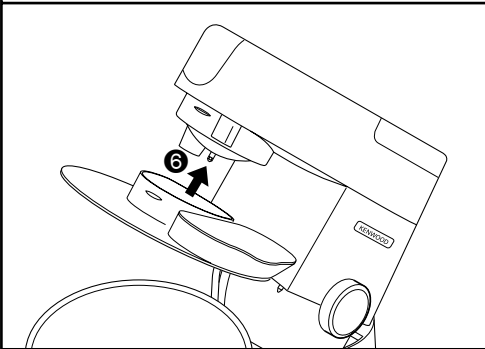
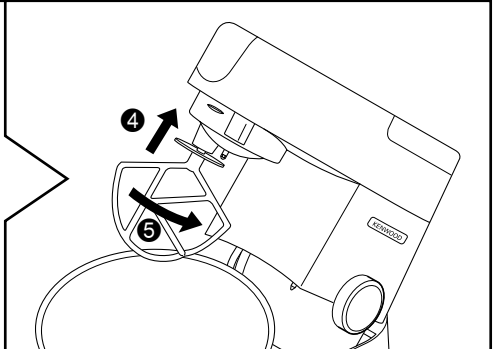
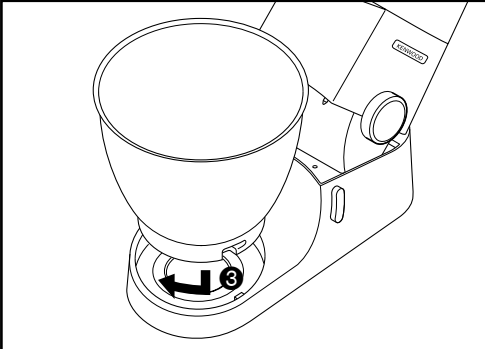
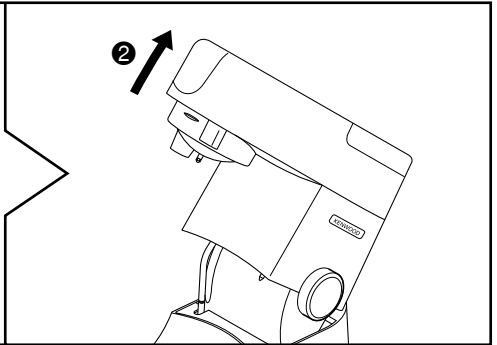
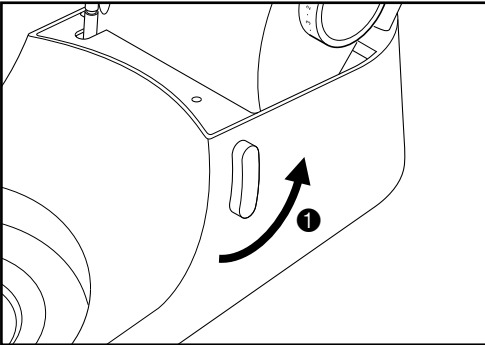
Français 11 - 19

عربي ٣٦ - ٢٩

فارسی ٢٨ - ٢٠







Know your Kenwood Kitchen Machine

Congratulations on buying a Kenwood. With such a wide range of attachments available, it is more than just a mixer. It is a state-of-the-art Kitchen Machine. We hope you will enjoy it.

Robust. Reliable. Versatile. Kenwood.

Safety

- Read these instructions carefully and retain for future reference.
- Remove all packaging and any labels.
- If the cord is damaged it must, for safety reasons, be replaced by KENWOOD or an authorised KENWOOD repairer.
- Turn the speed control to 'O' OFF position and unplug before fitting or removing tools/attachments, after use and before cleaning.
- Keep your fingers away from moving parts and fitted attachments.
- Never leave the Kitchen Machine unattended when it is operating.
- Never use a damaged appliance. Get it checked or repaired: see 'service and customer care' section.
- Never operate the Kitchen Machine with the head in the raised position.
- Never let the cord hang down where a child could grab it.
- Never let the power unit, cord or plug get wet.
- Never use an unauthorised attachment or more than one attachment at once.
- Never exceed the quantities stated in the maximum capacity chart.
- When using an attachment, read and follow the safety instructions that are supplied with it.

- Take care when lifting this appliance as it is heavy. Ensure the head is correctly latched in the down position and that the bowl, tools, outlet covers and cord are secure before lifting.
- Take care when removing bowl tools after extended use as they may get hot.
- Children should be supervised to ensure that they do not play with the appliance.
- Do not move or raise the mixer head with an attachment fitted as the Kitchen Machine could become unstable.
- Do not operate your appliance near the edge of a work surface.
- Appliances can be used by persons with reduced physical, sensory or mental capabilities or lack of experience and knowledge if they have been given supervision or instruction concerning use of the appliance in a safe way and if they understand the hazards involved.
- Misuse of your appliance can result in injury.
- This appliance shall not be used by children. Keep the appliance and its cord out of reach of children.
- The maximum rating is based on the attachment that draws the greatest load. Other attachments may draw less power.
- Only use the appliance for its intended domestic use. Kenwood will not accept any liability if the appliance is subject to improper use, or failure to comply with these instructions.

Before plugging in

- Make sure your electricity supply is the same as the one shown on the underside of your machine.
- This appliance conforms to EC Regulation 1935/2004 on materials and articles intended to come into contact with food.

Before using for the first time

- Wash the parts: see 'care and cleaning' section.

Know your Kitchen Machine

Key

Attachment outlets

- ① high-speed outlet
- ② slow-speed outlet
- ③ bowl tool socket

Mixer


- ④ high speed outlet cover
- ⑤ mixer head
- ⑥ speed and pulse control
- ⑦ power unit
- ⑧ head release lever
- ⑨ bowl seating pad
- ⑩ bowl
- ⑪ slow speed outlet cover
- ⑫ K-beater
- ⑬ whisk
- ⑭ dough hook
- ⑮ spatula
- ⑯ splashguard

Optional attachments

There are a range of optional attachments available to use with your Kitchen Machine. See the attachment leaflet included in your pack or visit www.kenwoodworld.com to see the full range and how to buy an attachment not included in your pack.

Note: Slow Speed outlet attachments

The slow speed outlet on your Kitchen Machine model features the Twist Connection System. It is designed to accept Twist Connection System attachments.

When purchasing new attachments for the slow speed outlet you should check compatibility with your Kitchen Machine. All Twist Connection System attachments can be identified by the product code which starts with KAX and also by the Twist logo  which is visible on packaging. For more information visit

www.kenwoodworld.com/twist.

If you own attachments featuring the Bar Connection System  you will need to use the KAT002ME adaptor to connect these to the Twist Connection System  on your Kitchen Machine.

For more information visit

www.kenwoodworld.com/twist.

The bowl tools and some of their uses

K-beater

For making cakes, biscuits, pastry, icing, fillings, éclairs and mashed potato.

Dough Hook

For yeast mixtures only.

Whisk

For eggs, cream, batters, fatless sponges, meringues, cheesecakes, mousses, soufflés. Do not use the whisk for heavy mixtures (e.g. creaming fat and sugar) - you could damage it.

To use your bowl tools

- 1 Turn the head lift lever anti-clockwise and raise the mixer head until it locks ❷. Ensure the bowl seating pad ❸ is correctly fitted with the ❹ symbol uppermost.
- 2 Fit the bowl on the base, press down and turn clockwise ❺ to secure in position.
- 3 Place the required tool into the socket. Then push up ❻ and turn ❼ the tool to lock into position.
Note: If the K-beater or Whisk are not picking up ingredients from the bottom of the bowl refer to the "Tool Adjustment" section.
- 4 Lift the mixer head slightly then turn the head-lift lever anti-clockwise and lower the mixer head until it locks.
- 5 Start the machine by turning the speed control ❽ to the desired speed setting. Use the pulse (P) position for short bursts of maximum speed.
- 6 After use, return the speed control to 'O' OFF position and unplug your Kitchen Machine.
- 7 Release the tool by turning clockwise to unlock from the tool socket and then remove.

Hints

- To fully incorporate the ingredients stop mixing and scrape down the bowl with the spatula frequently.
- For best results when whisking use eggs at room temperature.
- Before whisking egg whites, make sure there is no grease or egg yolk on the whisk or bowl.
- Use cold ingredients for pastry unless your recipe says otherwise.

Points for bread making

Important

- Never exceed the maximum capacities stated - you may overload the machine.
- If you hear the machine labouring, switch off, remove half the dough and do each half separately.
- The ingredients mix best if you put the liquid in first.

Yeast

- **Dried yeast** (the type that needs reconstituting): pour the warm water into the bowl. Then add the yeast and the sugar and leave to stand for about 10 minutes until frothy.
- **Fresh yeast:** crumble into the flour.
- **Other types of yeast:** follow the manufacturer's instructions.
- Put the dough into a greased polythene bag or a bowl covered with a tea towel. Then leave somewhere warm until doubled in size.

Important

Ensure that no bowl tools are fitted or stored in the bowl when using other outlets.

Maximum capacities		Chef	Chef XL
Shortcrust pastry	Flour weight	680g/1lb 8oz	910g/2lb
Bread dough (stiff yeasted)	Flour weight	1.36kg/3lb	1.5kg/3lb 5oz
	Total weight	2.18kg/4lb 13oz	2.56kg/5lb 10oz
Soft yeasted dough (enriched with butter and eggs)	Flour weight	1.3kg/2lb 14oz	2.6kg/5lb 12oz
	Total weight	2.5kg/5lb 8oz	5kg/11lb
Fruit cake mix (Creaming fat and sugar method)	Total weight	2.72kg/6lb (9 Egg mix)	4.55kg/10lb (15 Egg mix)
Egg whites	Number	12	16
	Weight	(455g)	(605g)

* Eggs sizes used = medium sized (Weight 53 – 63g)

Tool	Recipe/Process	Recommended Speed
K-beater	Creaming butter/margarine and sugar	Start on 'Min' and gradually increase to 'Max'
	Beating eggs into cake mixes	'4' to 'Max'
	Folding in flour, fruit etc	'Fold' to '1'
	All In one cake mixes	Start on 'Min' and gradually increase to 'Max'
	Pastry & Biscuits – rubbing fat into flour	'Min' to '2'
	Royal Icing	'Min' to '1'
	Mashed Potatoes	Start on 'Min' and gradually increase to 'Max'
Whisk	Egg Whites	Gradually increase to 'Max'
	Fatless sponges	
	Cream	
Dough Hook	For Yeasted dough mixes	'Min' speed for 45 - 60 secs. Then increase to speed '1'
		Re-knead on speed '1'

To fit and use your Splashguard

- 1 Raise the mixer head until it locks.
- 2 Fit the bowl onto the base.
- 3 Push the splashguard onto the underside of the mixer head ⑥ until fully located. The hinged section should be positioned as shown.
- 4 Insert required tool.
- 5 Lower the mixer head.
 - During mixing, ingredients can be added directly to the bowl via the hinged section of the splashguard ⑦.
 - You do not need to remove the splashguard to change tools.
- 6 Remove the splashguard by raising the mixer head and pushing it down.

Tool Adjustment

K-beater & Whisk

The tools are set to the correct height for the bowl supplied in the factory and should not require adjustment.

However, if you wish to adjust the tool use a suitable sized spanner:

TYPE KVC30 = 15mm

TYPE KVL40 = 19mm

Then follow the instructions below:

- 1 Unplug the appliance.
- 2 Raise the mixer head and insert the whisk or beater.
- 3 Lower the mixer head. If the clearance needs to be adjusted, raise the mixer head and remove the tool. Ideally the whisk and K-beater should be **almost** touching the bottom of the bowl ⑧.
- 4 Using a suitable spanner loosen the nut sufficiently to allow adjustment of the shaft ⑨. To lower the tool closer to the bottom of the bowl, turn the shaft anti-clockwise. To raise the tool away from the bottom of the bowl turn the shaft clockwise.
- 5 Re-tighten the nut.
- 6 Fit the tool to the mixer and lower the mixer head. (Check its position see points above).
- 7 Repeat the above steps as necessary until the tool is set correctly. Once this is achieved tighten the nut securely.
 - Note: Spanner shown is for illustration purpose only.

Dough Hook

This tool is set at the factory and should require no adjustment.

Care & Cleaning

- Always switch off and unplug before cleaning.
- A little grease may appear at the slow speed outlet ② when you first use it. This is normal – just wipe it off.

Power Unit And Outlet Covers

- Wipe with a damp cloth, then dry.
- Never use abrasives or immerse in water.

Bowl

- Wash by hand, then dry thoroughly or wash in the dishwasher.
- Never use a wire brush, steel wool or bleach to clean your stainless steel bowl. Use vinegar to remove limescale.
- Keep away from heat (cooker tops, ovens, microwaves).

Tools & Splashguard

- Wash by hand, then dry thoroughly or wash in the dishwasher.

recipe

chilli marinade

200g clear runny honey

1 chilli (whole)

20g (1tsp) crunchy peanut butter

Seasoning

- 1 Place all the ingredients into the mini chopper/mill.
- 2 Fit the attachment to the Kitchen Machine and allow the ingredients to settle around the blade.
- 3 Switch to max speed for 4 seconds.
- 4 Use as required.

Service and Customer Care




- If you experience any problems with the operation of your appliance, before requesting assistance refer to the “troubleshooting guide” section in the manual or visit www.kenwoodworld.com.
- Please note that your product is covered by a warranty, which complies with all legal provisions concerning any existing warranty and consumer rights in the country where the product was purchased.
- If your Kenwood product malfunctions or you find any defects, please send it or bring it to an authorised KENWOOD Service Centre. To find up to date details of your nearest authorised KENWOOD Service centre visit www.kenwoodworld.com or the website specific to your Country.
- Designed and engineered by Kenwood in the UK.
- Made in China.



**IMPORTANT INFORMATION FOR
CORRECT DISPOSAL OF THE
PRODUCT IN ACCORDANCE
WITH THE EUROPEAN DIRECTIVE
ON WASTE ELECTRICAL AND
ELECTRONIC EQUIPMENT (WEEE)**

At the end of its working life, the product must not be disposed of as urban waste. It must be taken to a special local authority differentiated waste collection centre or to a dealer providing this service. Disposing of a household appliance separately avoids possible negative consequences for the environment and health deriving from inappropriate disposal and enables the constituent materials to be recovered to obtain significant savings in energy and resources. As a reminder of the need to dispose of household appliances separately, the product is marked with a crossed-out wheeled dustbin.

Troubleshooting guide

Problem	Cause	Solution
The whisk or K-beater knocks against the bottom of the bowl or not reaching the ingredients in the bottom of the bowl.	Tool at the wrong height and needs adjusting.	Adjust the height using a suitable spanner – see “Tool Adjustment” section.
Slow speed attachment cannot be fitted.	Check your attachment is compatible for use with your model. Twist connection system required (Model KAX) 	Attachment must have the KAX twist connection system  to fit the outlet. If you own attachments featuring the Bar Connection System  you will need to use the KAT002ME adaptor to connect these to the Twist Connection System on your Kitchen Machine. <i>For more information visit www.kenwoodworld.com/twist.</i>
The Kitchen Machine stops during operation.	Overload protection or overheat system activated. Maximum capacity exceeded.	Unplug and check for obstruction or overloading. Turn the speed control to “O” and then restart. If the machine will not operate, remove some of the ingredients to reduce the load and restart. If this still does not resolve the problem, unplug and allow to stand for 15 minutes. Plug in and reselect the speed. If the machine does not restart following the above procedure contact “customer care” for further advice.

Découvrez votre robot pâtissier multifonction Kenwood

Nous tenons à vous féliciter d'avoir porté votre choix sur un robot Kenwood. Avec un tel éventail d'accessoires, votre robot de cuisine est bien plus qu'un simple robot pâtissier. Vous bénéficiez du robot pâtissier multifonction le plus perfectionné à ce jour. Nous espérons qu'il vous apportera pleine satisfaction.

Robuste. Fiable. Polyvalent. Kenwood.

Sécurité

- Lisez et conservez soigneusement ces instructions pour pouvoir vous y référer ultérieurement.
- Retirez tous les éléments d'emballage et les étiquettes.
- Si le cordon est endommagé, il doit être remplacé, pour des raisons de sécurité, par Kenwood ou par un réparateur agréé Kenwood.
- Mettez la commande de vitesse sur la position " O " OFF (Arrêt) et débranchez avant d'installer ou de retirer des ustensiles / accessoires, après utilisation et avant toute opération de nettoyage.
- N'approchez jamais vos doigts des éléments ou des accessoires installés en mouvement.
- Ne laissez jamais le robot pâtissier multifonction sans surveillance lorsqu'il fonctionne.
- N'utilisez jamais un appareil endommagé. Faites-le vérifier ou réparer : reportez-vous à la rubrique " service après-vente ".
- Ne faites jamais fonctionner votre robot pâtissier multifonction avec la tête en position levée.
- Ne laissez jamais le cordon pendre de telle façon qu'un enfant puisse s'en saisir.
- Veillez à ne jamais mouiller le bloc moteur, le cordon d'alimentation ou la prise.
- N'utilisez jamais un accessoire non agréé ou plus d'un seul accessoire à la fois.
- Ne dépassez jamais les quantités stipulées dans le tableau indiquant les quantités maximales.
- Lorsque vous utilisez un accessoire, veuillez lire et suivre les consignes de sécurité qui sont fournies avec.

- Faites attention lorsque vous soulevez cet appareil car il pèse lourd. Assurez-vous que la tête est correctement disposée en position de fermeture vers le bas et que le bol, les pièces, les caches des sorties et le cordon sont sécurisés avant de soulever l'appareil.
- Faites attention lorsque vous retirez les ustensiles du bol car ils peuvent être chauds.
- Les enfants doivent être sous surveillance pour veiller à ce qu'ils ne jouent pas avec l'appareil.
- Ne bougez pas la tête du robot, et ne la soulevez pas lorsqu'un accessoire est installé car cela pourrait rendre le robot pâtissier multifonction instable.
- Ne faites pas fonctionner votre appareil près du bord d'un plan de travail.
- Les appareils peuvent être utilisés par des personnes dont les capacités physiques, sensorielles ou mentales sont diminuées, ou qui ne disposent pas des connaissances ou de l'expérience nécessaires, si elles ont été formées et encadrées pour l'utilisation des appareils, et si elles ont conscience des risques encourus.
- Toute mauvaise utilisation de votre appareil peut être source de blessures.
- Cet appareil ne doit pas être utilisé par des enfants. Veuillez garder l'appareil et le cordon hors de portée des enfants.
- Le chiffre maximum est basé sur l'accessoire qui utilise la plus grande charge d'énergie. D'autres accessoires peuvent demander moins d'énergie.
- N'employez l'appareil qu'à des fins domestiques. Kenwood décline toute responsabilité dans les cas où l'appareil est utilisé incorrectement ou que les présentes instructions ne sont pas respectées.

Avant de brancher votre appareil

- Assurez-vous que votre alimentation électrique correspond à celle qui est indiquée sur la partie inférieure de votre appareil.
- Cet appareil est conforme au règlement 1935/2004 de la CE sur les matériaux

et les articles destinés au contact alimentaire.

Avant d'utiliser votre appareil pour la première fois

- Lavez les pièces : reportez-vous à la section " entretien et nettoyage ".

Découvrez votre robot pâtissier multifonction Kenwood

Légende

Sorties pour les accessoires

- ① sortie rapide
- ② sortie lente
- ③ sortie du bol

Robot


- ④ cache de la sortie rapide
- ⑤ tête du robot
- ⑥ commande pulse et variateur de vitesse
- ⑦ bloc d'alimentation
- ⑧ manette de déblocage de la tête
- ⑨ repose-bol
- ⑩ bol
- ⑪ cache de la sortie lente
- ⑫ batteur- K
- ⑬ fouet
- ⑭ pétrin
- ⑮ spatule
- ⑯ couvercle anti-éclaboussures


Accessoires en option

Il existe tout un éventail d'accessoires en option pouvant être utilisés avec votre robot pâtissier multifonction. Reportez-vous à la brochure relative aux accessoires contenue dans votre emballage ou consultez le site www.kenwoodworld.com pour découvrir la gamme complète et acheter le ou les accessoires non inclus avec votre appareil.

Remarque : accessoires pour la sortie lente

La sortie lente sur le modèle de votre robot pâtissier comporte le Système de connexion Twist. Il est conçu pour accepter les accessoires du Système de connexion Twist.

Lorsque vous achetez de nouveaux accessoires pour la sortie lente, vous devez vérifier leur compatibilité avec votre robot. Tous les accessoires du Système de connexion Twist sont identifiables par le code produit commençant par KAX, de même que par le symbole Twist  dessiné sur l'emballage. Pour plus d'informations, veuillez consulter le site www.kenwoodworld.com/twist.

Si vos accessoires comportent le Système de connexion Bar , vous devez utiliser l'adaptateur KAT002ME pour raccorder ces derniers au Système de connexion Twist  sur votre robot.

Pour plus d'informations, veuillez consulter le site www.kenwoodworld.com/twist.

Les ustensiles du bol et certaines de leur utilisation

Batteur-K

Pour réaliser des gâteaux, des biscuits, de la pâtisserie, des glaçages, des crèmes, des éclairs et des écrasés de pommes de terre.

Pétrin

Uniquement pour les mélanges à base de levure.

Fouet

Pour battre des œufs, confectionner des crèmes, des préparations, des génoises, des meringues, des cheesecakes, des mousses, des soufflés. N'utilisez pas le fouet pour les mélanges épais (par exemple, pour monter en crème du sucre et des matières grasses) - vous risqueriez d'endommager votre robot.

Utilisation des ustensiles du bol

- 1 Tournez le levier de soulèvement de la tête dans le sens inverse des aiguilles d'une montre et levez la tête du robot jusqu'à ce qu'elle se verrouille ②. Veillez à ce que le repose-bol ⑨ soit correctement positionné et le symbole ⑩ tourné au plus haut.
- 2 Installez le bol sur le socle, appuyez dessus et tournez-le dans le sens des aiguilles d'une montre ③ pour le mettre fermement en place.
- 3 Positionnez l'ustensile requis dans l'axe. Puis appuyez dessus ④ et tournez ⑤ l'ustensile pour le mettre en place.

Remarque : Si le batteur-K ou le fouet ne collecte pas les ingrédients dans le fond du bol, reportez-vous à la rubrique " Réglage des ustensiles " .

- 4 Relevez légèrement la tête du robot, puis tournez le levier de soulèvement de la tête dans le sens inverse des aiguilles d'une montre et abaissez la tête du robot jusqu'à ce qu'elle se verrouille.
- 5 Mettez en fonctionnement le robot en tournant pour ce faire le variateur de vitesse ⑥ sur la vitesse souhaitée. Utilisez la position pulse (P) pour les impulsions courtes à vitesse maximale.
- 6 Après utilisation, remettez la commande de vitesse " O " sur la position OFF (arrêt) et débranchez votre robot .
- 7 Retirez l'ustensile en le tournant dans le sens des aiguilles d'une montre pour le sortir de l'axe, puis retirez-le.

Conseils

- Pour incorporer intégralement les ingrédients, arrêtez de mélanger et raclez fréquemment vers le bas les parois du bol à l'aide de la spatule.
- Pour de meilleurs résultats lorsque vous travaillez au fouet, utilisez des œufs à température ambiante.
- Avant de travailler au fouet des blancs d'œuf, vérifiez qu'il n'y ait aucune trace de matière grasse ou de jaune d'œuf sur le fouet ou à l'intérieur du bol.
- Utilisez des ingrédients froids pour la pâtisserie, hormis si la recette que vous suivez mentionne d'agir autrement.

Quelques éléments à prendre en compte pour faire du pain

Important

- Ne dépassez jamais les capacités maximales mentionnées - vous pourriez surcharger votre robot.
- Si vous entendez que votre robot peine à tourner, éteignez-le, retirez la moitié de la quantité de pâte et travaillez chaque moitié de pâte séparément.
- Les ingrédients se mélangent mieux si vous insérez en premier les ingrédients liquides.

Levure

- **Levure sèche** (le type de levure nécessitant d'être reconstituée) : versez l'eau chaude dans le bol. Puis ajoutez

la levure et le sucre, et laissez reposer pendant environ 10 minutes jusqu'à ce que le mélange devienne mousseux.

- **Levure fraîche** : mélangez-la à la farine.
- **Autres types de levure** : suivez les indications du fabricant.
- Disposez la pâte dans un sachet en polyéthylène graissé ou un bol et recouvrez d'une serviette. Laissez ensuite dans un endroit au chaud jusqu'à ce que la pâte ait doublé de volume.

Important

Veillez à ce que le bol ne comporte aucun ustensile installé ni entreposé dedans lorsque vous utilisez d'autres sorties.

Capacités maximales		Chef	Chef XL
Pâte brisée	Quantité de farine	680 g	910 g
Pâte à pain (levurée ferme)	Quantité de farine	1,36 kg	1,5 kg
	Poids total	2,18 kg	2,56 kg
Pâte levurée souple (enrichie au beurre et aux œufs)	Quantité de farine	1,3 kg	2,6 kg
	Poids total	2,5 kg	5 kg
Préparation pour cake aux fruits (avec montage en crème du sucre et des matières grasses)	Poids total	2,72 kg (mélange à base de 9 œufs)	4,55 kg (mélange à base de 15 œufs)
Blancs en neige	Nombre	12	16
	Poids	(455 g)	(605 g)

* Taille des œufs utilisés = taille moyenne (poids variant de 53 à – 63 g)

Ustensile	Recette / Vitesse de traitement	Recommandée
Batteur-K	Monter en crème du beurre / de la margarine et du sucre	Démarrez sur vitesse “ Min “ et augmentez graduellement jusqu’à “ Max “
	Battre des œufs dans le cadre de préparations pour gâteau	“ 4 “ à “ Max “
	Incorporer de la farine, du ou des fruits, etc.	“ Mélange délicat “ à “ 1 “
	Préparations pour gâteau tout-en-un	Démarrez sur vitesse “ Min “ et augmentez graduellement jusqu’à “ Max “
	Pâtisserie & Biscuits – pour intégrer le corps gras à la farine	“ Min “ à “ 2 “
	Glaçage royal	“ Min “ à “ 1 “
	Pommes de terre écrasées	Démarrez sur vitesse “ Min “ et augmentez graduellement jusqu’à “ Max “
Fouet	Blancs en neige	Passez graduellement sur “ Max “
	Génoises	
	Crème	
Pétrin	Pour les préparations à base de pâte levée	Mettez sur vitesse ‘Min’ pendant 45 à 60 secondes. Puis passez à la vitesse “ 1 “
		Pétrissez de nouveau sur vitesse “ 1 “

Installation et utilisation de votre couvercle anti-éclaboussures

- 1 Levez la tête du robot jusqu’en position verrouillée.
- 2 Installez le bol sur le socle.
- 3 Placer le couvercle anti-éclaboussures sur la partie inférieure de la tête du robot ⑥ jusqu’à insertion complète. La partie montée doit être positionnée tel qu’indiqué sur le schéma.
- 4 Insérez l’outil nécessaire.
- 5 Abaissez la tête du robot.
 - Durant le mélange, les ingrédients peuvent être ajoutés directement dans le bol par la section articulée du couvercle anti-éclaboussures ⑦.
- 6 Retirez le couvercle anti-éclaboussures : relevez la tête du robot et poussez le couvercle vers le bas.

Réglage des ustensiles

Batteur-K & Fouet

Les ustensiles sont réglés à la bonne hauteur, adaptée au bol fourni en usine et par conséquent aucun réglage ne s'avère nécessaire.

Toutefois, si vous souhaitez régler l'ustensile, utilisez une clé de taille appropriée :

TYPE KVC30 = 15 mm

TYPE KVL40 = 19 mm

Puis suivez les instructions ci-après :

- 1 Débranchez l'appareil.
 - 2 Soulevez la tête du robot et insérez le fouet ou le batteur.
 - 3 Abaissez la tête du robot. Si l'espace nécessite un réglage, soulevez la tête du robot et retirez l'ustensile. Idéalement, le fouet et le batteur-K doivent **presque** toucher le fond du bol ⑥.
 - 4 À l'aide d'une clé adaptée, desserrez suffisamment l'écrou pour pouvoir régler l'axe ⑨. Pour rapprocher l'ustensile du fond du bol, tournez l'axe dans le sens inverse des aiguilles d'une montre. Pour relever l'ustensile par rapport au fond du bol, tournez l'axe dans le sens des aiguilles d'une montre.
 - 5 Resserrez l'écrou.
 - 6 Installez l'ustensile sur le robot et abaissez la tête du robot. (Vérifiez sa position - reportez-vous aux points ci-dessus).
 - 7 Renouvelez les étapes susmentionnées autant de fois qu'il le faut jusqu'à obtention du bon réglage. Une fois cette opération terminée, serrez de manière sécurisée l'écrou.
- Remarque : la clé présentée est uniquement à des fins d'illustration.

Pétrin

Cet ustensile est assemblé en usine et ne nécessite aucun réglage.

Entretien et nettoyage

- Éteignez toujours l'appareil et débranchez-le avant de le nettoyer.
- Un peu de graisse peut apparaître au niveau de la sortie lente ② lorsque vous l'utilisez pour la première fois. Ceci est tout à fait normal – il vous suffit d'essuyer les traces de graisse.

Bloc d'alimentation et caches des sorties

- Essuyez avec un chiffon humide, puis séchez.
- N'utilisez jamais de produits abrasifs ; n'immergez jamais dans l'eau.

Bol

- Lavez-le à la main et séchez-le minutieusement ; vous pouvez également le passer au lave-vaisselle.
- N'utilisez jamais une brosse à récurer, de la laine d'acier ni de la javel pour nettoyer votre bol en acier inoxydable. Utilisez du vinaigre pour retirer les traces de calcaire.
- Maintenez à l'abri de la chaleur (tables de cuisson, fours, micro-ondes).

Ustensiles et couvercle anti-éclaboussures

- Lavez-le à la main et séchez-le minutieusement ; vous pouvez également le passer au lave-vaisselle.

recette

marinade au piment

200 g de miel clair et liquide

1 piment (entier)

20 g (1 cuillère à café) de beurre d'arachide croquant

Assaisonnement

- 1 Insérez tous les ingrédients dans le mini hachoir / moulin.
- 2 Installez l'ustensile sur le Kitchen Machine et laissez les ingrédients se déployer autour de la lame.
- 3 Actionnez à la vitesse maximale pendant 4 secondes.
- 4 Utilisez selon vos besoins.

- Si votre appareil Kenwood fonctionne mal ou si vous trouvez un quelconque défaut, veuillez l'envoyer ou l'apporter à un centre de réparation KENWOOD autorisé. Pour trouver des détails actualisés sur votre centre de réparation KENWOOD le plus proche, veuillez consulter www.kenwoodworld.com ou le site internet spécifique à votre pays.
- Conçu et développé par Kenwood au Royaume-Uni.
- Fabriqué en Chine.



AVERTISSEMENTS POUR L'ÉLIMINATION CORRECTE DU PRODUIT CONFORMÉMENT AUX TERMES DE LA DIRECTIVE EUROPÉENNE RELATIVE AUX DÉCHETS D'ÉQUIPEMENTS ÉLECTRIQUES ET ÉLECTRONIQUES (DEEE).

Au terme de son utilisation, le produit ne doit pas être éliminé avec les déchets urbains.




Le produit doit être remis à l'un des centres de collecte sélective prévus par l'administration communale ou auprès des revendeurs assurant ce service.

Éliminer séparément un appareil électroménager permet d'éviter les retombées négatives pour l'environnement et la santé dérivant d'une élimination incorrecte, et permet de récupérer les matériaux qui le composent dans le but d'une économie importante en termes d'énergie et de ressources. Pour rappeler l'obligation d'éliminer séparément les appareils électroménagers, le produit porte le symbole d'un caisson à ordures barré.

Service après-vente

- Si vous rencontrez des problèmes lors de l'utilisation de votre appareil, reportez-vous à la section « guide de dépannage » de ce manuel ou consultez la page www.kenwoodworld.com avant de contacter le service après-vente.
- N'oubliez pas que votre appareil est couvert par une garantie, qui respecte toutes les dispositions légales concernant les garanties existantes et les droits du consommateur dans le pays où vous avez acheté le produit.

Guide de dépannage

Problème	Cause	Solution
Le fouet ou le batteur K racle le fond du bol ou n'atteint pas les ingrédients dans le fond du bol.	La pièce n'est pas à la bonne hauteur et nécessite d'être réglée.	Réglez la hauteur à l'aide d'une clé adaptée – reportez-vous à la rubrique “ Réglage des pièces “.
L'accessoire sur la sortie lente ne peut pas être installé.	Vérifiez la compatibilité de votre accessoire avec votre modèle. Système de connexion Twist requis (Modèle KAX) 	L'accessoire doit être équipé du système de connexion Twist KAX  pour être installé sur la sortie. Si vos accessoires comportent le Système de connexion Bar  , vous devez utiliser l'adaptateur KAT002ME pour raccorder ces derniers au Système de connexion Twist sur votre robot. <i>Pour plus d'information, veuillez consulter le site www.kenwoodworld.com/twist</i>
Le robot s'arrête en cours de fonctionnement.	La protection anti-surcharge ou surchauffe du système est activée. La capacité maximale est dépassée.	Débranchez et vérifiez qu'il n'y ait pas une obstruction ou une surcharge. Mettez la commande de vitesse sur “ O “ et redémarrez. Si l'appareil ne fonctionne pas, retirez une partie des ingrédients pour réduire la charge et redémarrez. Si le problème n'est pas résolu, débranchez l'appareil et laissez-le au repos pendant 15 minutes. Branchez et sélectionnez de nouveau la vitesse. Si le robot ne redémarre pas après l'application de la procédure susmentionnée, contactez le service “ après-vente “ pour plus de conseils.

دليل استكشاف المشكلات وحلها

المشكلة	السبب المحتمل	الحل
خفاقة البيض أو مضرب العجين يقرع قاع الوعاء أو لا يصل إلى المكونات الموجودة في قاع الوعاء.	ارتفاع الأداة غير صحيح وتحتاج لضبط ارتفاعها.	اضبطي طول الأداة باستخدام مفتاح ربط لتعديل الارتفاع - راجعي قسم "ضبط الأداة".
ملحق السرعة المنخفضة لا يمكن تركيبه.	تأكدتي من توافق الملحق مع الاستخدام مع موديل الجهاز لديك. يتطلب نظام Twist connection system (الموديل KAX) 	يجب أن شعار KAX الخاص بنظام twist connection system موجوداً على الملحق حتى تتمكني من تركيبه في المخرج. إذا كان لديك ملحقات تعمل على نظام Bar Connection System (BAR) . ففي هذه الحالة ستحتاجين إلى استخدام منظم KAT002ME حتى يمكنك توصيل هذه الملحقات مع نظام twist connection system الموجود في موديل جهاز المطبخ المتكامل لديك. لمزيد من المعلومات زوري الموقع: www.kenwoodworld.com/twist
يتوقف جهاز المطبخ المتكامل خلال التشغيل. يومض ضوء زر وضع الاستعداد بشكل سريع.	تم تنشيط وظيفة الحماية ضد التحميل الزائد أو الارتفاع المفرط لدرجة حرارة الجهاز. تم تجاوز السعة القصوى المحددة. أفصلي الجهاز عن مصدر التيار الكهربائي وتأكدي من عدم وجود أي أحسنار أو عالق أو تحميل زائد.	لفي مفتاح التحكم في السرعات إلى وضع إيقاف التشغيل "O" ثم أعيدي تشغيل الجهاز مرة أخرى. في حالة عدم عمل الجهاز. ففي هذه الحالة أزيلتي كمية من المكونات لتقليل الحمل وأعيدي تشغيل الجهاز. إذا لم يساعد ذلك في حل المشكلة. أفصلي الجهاز عن مصدر التيار الكهربائي واتركيه ١٥ دقيقة ليبرد. وصلي الجهاز بمصدر التيار الكهربائي وأعيدي تحديد السرعة المطلوبة. في حالة عدم عمل الجهاز بعد الإجراءات السابقة. ففي هذه الحالة اتصلي بمركز "خدمة العملاء" لطلب المساعدة.

العناية والتنظيف

الخدمة ورعاية العملاء

- في حالة مواجهة أية مشكلة متعلقة بتشغيل الجهاز، قبل الاتصال بطلب المساعدة، يرجى مراجعة قسم «دليل اكتشاف المشكلات وحلها» في الدليل أو زيارة موقع الويب www.kenwoodworld.com.
- يرجى الملاحظة بأن جهازك مشمول بضمان، هذا الضمان يتوافق مع كافة الأحكام القانونية المعمول بها والمتعلقة بحقوق الضمان والمستهلك في البلد التي تم شراء المنتج منها.
- في حالة تعطل منتج Kenwood عن العمل أو في حالة وجود أي عيوب، فيرجى إرساله أو إحضاره إلى مركز خدمة معتمد من KENWOOD. للحصول على معلومات محدثة حول أقرب مركز خدمة معتمد من KENWOOD، يرجى زيارة موقع الويب www.kenwoodworld.com، أو موقع الويب المخصص لبلدك.

- تصميم وتطوير Kenwood في المملكة المتحدة.
- صنع في الصين.



معلومات هامة هو الكيفية الصحيحة للتخلص من المنتج وفقاً لتوجيهات الاتحاد الأوروبي المتعلقة بنفايات المعدات الكهربائية والإلكترونية (WEEE)

في نهاية العمر التشغيلي للجهاز، يجب عدم التخلص من الجهاز في نفايات المناطق الحضرية. بل يجب أخذه إلى مركز تجميع خاص بجهة محلية متخصصة في التخلص من هذه النفايات أو إلى تاجر يقدم هذه الخدمة. التخلص من الأجهزة المنزلية على نحو منفصل، يجنب الآثار السلبية المحتملة على البيئة والصحة والتي تنتج عن التخلص من هذه النفايات بطريقة غير مناسبة، كما أن هذه العملية تسمح باسترداد المواد المكونة الأمر الذي يتيح الحصول على وفورات كبيرة في مجال الطاقة والموارد. للتذكير بضرورة التخلص من الأجهزة المنزلية على نحو منفصل، يوجد على الجهاز صورة مشطوبة لسلة قمامة ذات عجلات.

- أوقفني دائماً تشغيل الجهاز وافصله عن مصدر التيار الكهربائي قبل التنظيف.
- قد تظهر طبقة طفيفة من الشحم على مخرج السرعة المنخفضة ② في المرة الأولى لاستخدامه.
- هذا أمر طبيعي - فقط امسحها.

وحدة الطاقة (الموتور) وأغطية المخارج

- مسح بقطعة قماش رطبة ثم التجفيف.
- يحذر استخدام المواد الكاشطة أو الغمر في الماء.

السلطانية

- غسيل يدوي ثم التجفيف جيداً أو غسيل في غسالة الأطباق.
- يحذر استخدام فرشاة من السلك أو الصوف المعدني أو مواد التبييض عند تنظيف الوعاء المصنوع من الصلب عديم الصدأ.
- استخدم الخل لإزالة الطبقة الجيرية.
- أبعده عن مصادر الحرارة (سطح الموقد، الأفران، المايكروويف).

الأدوات وموانع الرذاذ

- غسيل يدوي ثم التجفيف جيداً أو غسيل في غسالة الأطباق.

وصفة التحضير

تنبيلة الفلفل

- 1 ٢٠٠ غرام عسل نحل صافي
١ ثمرة فلفل (كاملة)
- 2 ٢٠٠ غرام زبدة فول سوداني خشنة
توابل
- ١ ضعي كل المكونات في القطاعة/المطحنة الصغيرة.
- ٢ ركبي الملحق في جهاز المطبخ المتكامل واسمحي للمكونات بملء الفراغات حول سكين التقطيع.
- ٣ شغلي الجهاز على أعلى السرعة العالية لمدة ٤ ثوان.
- ٤ استخدمني التنبيلة حسب الحاجة.

تركيب واستخدام مانع الرذاذ

ضبط الأداة

مضرب العجين K والخفاقة

يتم ضبط ارتفاع الأدوات على الارتفاع الصحيح لها داخل السلطانية في المصنع لدى تزويد الجهاز بحيث لا تتطلب أي ضبط إضافي. وعلى الرغم من ذلك، إذا لزم ضبط ارتفاع الأدوات ففي هذه الحالة استخدم مفتاح ربط بحجم مناسب.

TYPE KVC30 = 15 مم

TYPE KVL40 = 19 مم

ثم اتبعي التعليمات التالية:

1) افصلي الجهاز عن مصدر التيار الكهربائي.

2) ارفعي رأس الخلاط وركبي خفاقة البيض أو المضرب.

3) اخفضي رأس الخلاط. إذا كانت المسافة تحتاج إلى الضبط، ارفعي رأس الخلاط وأزيلي الأداة، من المثالي أن يمسه المضرب/ الخفاقة K **بالكاد** قاع الوعاء 8.

4) باستخدام مفتاح الربط المزود فكي الصامولة بشكل كاف للسماح بتعديل محور الدوران 9. لخفض الأداة في اتجاه قاع السلطانية، لفي محور دوران في اتجاه عكس عقارب الساعة. لرفع الأداة بعيداً عن قاع الوعاء، لفي محور الدوران في اتجاه عقارب الساعة. 5) أعيدي إحكام ربط الصامولة.

6) ركبى الأداة في الخلاط واخفضي رأس الخلاط. (تأكدى من موضع الأداة بالنسبة لقاع السلطانية، راجعي النقاط السابقة).

7) كرري الخطوات السابقة حسب الحاجة حتى يتم ضبط الأداة بشكل صحيح، بمجرد الوصول إلى المسافة الصحيحة أحكمي ربط الصامولة.

• ملاحظة: مفتاح الربط المبين في الشكل التوضيحي لأغراض الإيضاح فقط.

خطاف العجين

تم ضبط هذه الأداة في المصنع ولا تحتاج لأي ضبط.

- 1) ارفعي رأس الخلاط حتى تستقر في موضع الرفع.
- 2) ركبى السلطانية على القاعدة.
- 3) ادفعي مانع الرذاذ إلى الجانب السفلي من رأس الخلاط 6 حتى يتم تركيبه. يجب أن يكون موضع الجزء المفصلي كما هو مبين.
- 4) ركبى الأداة المطلوبة.
- 5) اخفضي رأس الخلاط.
- أثناء الخلط يمكن إناث مباشرة إلى السلطانية عن طريق الجزء المفصلي من مانع الرذاذ 7.
- لن تحتاجي لإزالة مانع الرذاذ عند تغيير الأدوات.
- 6) أزيلي مانع الرذاذ عن طريق رفع رأس الخلاط ودفعه للارتداد للأسفل.

Chef XL	Chef	الساعات القصوى	
٩١٠ غرام	٦٨٠ غرام	وزن الدقيق	المعجنات ذات القشرة الهشة
١,٥ كيلوغرام	١,٣٦ كيلوغرام	وزن الدقيق	عجين الخبز
٢,٥٦ كيلوغرام	٢,١٨ كيلوغرام	الوزن الإجمالي	(عجينة الخميرة السميكة)
٢,٦ كيلوغرام	١,٣ كيلوغرام	وزن الدقيق	عجينة الخميرة الخفيفة
٥ كيلوغرام	٢,٥ كيلوغرام	الوزن الإجمالي	(غنية بالزبد والبيض)
٤,٥٥ كيلوغرام (خلطة ١٥ بيضة)	٢,٧٢ كيلوغرام (خلطة ٩ بيضات)	الوزن الإجمالي	خلطة كيك الفاكهة
١٦ (٦٠٥ غرام)	١٢ (٤٥٥ غرام)	العدد الوزن	بياض البيض

* حجم البيض المستخدم = الحجم المتوسط (بوزن بين ٥٣ إلى ٦٣ غرام)

الأداة	الوصفة/الطريقة	السرعة الموصى بها
مضرب العجين K	مزج الزبد/السمن مع السكر	ابدئي بالسرعة المنخفضة "Min" زيديها بالتدرج إلى السرعة القصوى "Max"
	خفق البيض داخل خلطات الكعكات	السرعة "4" إلى السرعة القصوى "Max"
	طَيّ الدقيق والفاكهة ما شابه	إعداد الطي "Fold" إلى السرعة "1"
	خلطات الكعكات الجاهزة	ابدئي بالسرعة المنخفضة "Min" ثم زيديها بالتدرج إلى السرعة القصوى "Max"
	المعجنات والبسكويت - خلط السمن مع الدقيق	السرعة المنخفضة "Min" إلى السرعة "2"
	سكر الزينة	السرعة المنخفضة "Min" إلى السرعة "1"
	البطاطس المهروسة	ابدئي بالسرعة المنخفضة "Min" ثم زيديها بالتدرج إلى السرعة القصوى "Max"
مضرب البيض	بياض البيض	زيادة السرعة تدريجياً إلى السرعة القصوى "Max"
	الخلطات الإسفنجية الخالية من الدهون	
	القشدة	
خطاف العجين	لخلطات العجين المخمر	السرعة المنخفضة "Min" لمدة ٤٥ إلى ٦٠ ثانية ثم الزيادة إلى السرعة "1"
		إعادة العجن على السرعة "1"

استخدام أدوات السلطانية

نقاط هامة لتحضير الخبز

هام

- يحذر تجاوز السعات القصوى المحددة - فقد تتسبب في حمل زائد على الجهاز.
- إذا سمعت صوت الجهاز مثقلاً، فأوقفه والتشغيل وأزيلي نصف العجين ثم تعاملي مع كل نصف على منفرداً.
- للحصول على أفضل نتائج لخلط المكونات أضيفي السوائل أولاً في السلطانية.

الخميرة

- **الخميرة الجافة** (النوع الذي يحتاج إعادة تشكيل): صبّي الماء الدافئ في الوعاء. ثم أضيفي الخميرة والسكر واتركيها تهدأ لمدة ١٠ دقائق حتى تتكون رغوة.
- **الخميرة الطازجة**: فتنيها داخل الدقيق.
- **أنواع الخميرة الأخرى**: اتبعي تعليمات المصنّع.
- ضعي العجينة في كيس بلاستيك مدهون بالزيت أو سلطانية ومغطاة بغطاء.
- ثم اتركها في مكان دافئ حتى يتضاعف حجمها.

هام

- تأكدي من عدم تركيب أو تخزين أي أداة أخرى خاصة بالسلطانية عند استخدام مخارج أخرى.

- ١ لفي ذراع رفع رأس الخلاط في اتجاه عقارب الساعة وارفعي رأس العجانة حتى يتم تعشيقها في موضع تثبيت الرفع مصدرة صوت ② .
تأكدي من تركيب قاعدة الوعاء ③ بشكل صحيح حيث تكون العلامة ④ مواجهة لأعلى.
- ٢ ركبي السلطانية على القاعدة. اضغطي عليها لأسفل ولفيها في اتجاه عقارب الساعة ⑤ لربطها في موضع التثبيت.
- ٣ أدخلي الأداة المطلوب استخدامها في المقبس. ثم ادفعيها لأعلى ④ ولفيها ⑤ لفلها في موضع التعشيق.
ملاحظة: إذا كان مضرب العجين K أو خفاقة البيض لا يمكنهما خلط المكونات الموجودة في قاعدة السلطانية. ففي هذه الحالة راجعي قسم "ضبط الأداة".
- ٤ أخفضي رأس الخلاط قليلاً ثم لفي ذراع رفع رأس الخلاط في اتجاه عكس عقارب الساعة ثم أخفضي رأس الخلاط حتى يتم تعشيقها في موضع التثبيت.
- ٥ شغلي الجهاز من خلال لف مفتاح التحكم في السرعة ⑥ وتوجيهه إلى موضع السرعة المطلوبة.
استخدمي مفتاح وضع التشغيل النبضي (P) للتشغيل لفترات قصيرة على السرعة القصوى. بعد الاستخدام، أعيدي مفتاح التحكم في السرعات إلى موضع إيقاف التشغيل (OFF) "O" وافصلي جهاز المطبخ الكامل عن مصدر التيار الكهربائي.
- ٧ أزيلي الأداة عن طريق لفها في اتجاه عقارب الساعة لتحريرها عن مقبس إلحاق الأداة ثم أزيليها.

تلميحات

- لدمج المكونات بالكامل، أوقفه في عملية الخلط واكشطتي جوانب السلطانية باستخدام ملعقة التقليب بانتظام.
- للحصول على أفضل النتائج عن خفق البيض، استخدمه بيض في درجة حرارة الغرفة.
- قبل خفق بياض البيض، تأكدي من عدم وجود زيت أو صفار بيض على مضرب البيض أو السلطانية.
- استخدمه مكونات باردة للعجين ما لم تذكر الوصفة خلاف ذلك.

استكشاف جهاز المطبخ المتكامل من Kenwood

الدليل

ملحقات اختيارية

هناك مجموعة كبيرة ومتنوعة من الملحقات المتوفرة والتي يمكن استخدامها مع جهاز المطبخ المتكامل.

راجعى نشرة الملحق المزودة مع صندوق البيع أو زوري الموقع www.kenwoodworld.com

لمشاهدة المجموعة الكاملة من الملحقات المتوفرة وكيفية شراء الملحقات غير المزودة مع جهازك الأساسي.

ملاحظة: ملحقات مخرج السرعة المنخفضة

مخرج السرعة المنخفضة في موديل جهاز المطبخ المتكامل لديك يتميز بنظام Twist Connection System. وبالتالي فهو مصمم للعمل مع ملحقات نظام Twist Connection System.

عند شرائك ملحقات للعمل مع مخرج السرعة المنخفضة، عليك أولاً التأكد من توافق الملحق مع موديل جهاز المطبخ المتكامل لديك. يمكن تمييز كل ملحقات نظام Twist Connection System من خلال كود المنتج والذي يبدأ على النحو التالي (KAX) وأيضاً عن طريق شعار Twist (TWIST) الموضح على العبوة. لمزيد من المعلومات زوري الموقع: www.kenwoodworld.com/twist

إذا كان لديك ملحقات تعمل على نظام Bar Connection System (BAR)، ففي هذه الحالة

ستحتاجين إلى

استخدام منظم KAT002ME حتى يمكنك توصيل هذه الملحقات مع نظام Twist Connection System الموجود في موديل جهاز المطبخ المتكامل لديك.

لمزيد من المعلومات، زوري الموقع www.kenwoodworld.com/twist

مخارج الملحقات

- 1 مخرج السرعة العالية
- 2 مخرج السرعة المنخفضة
- 3 مقبس إلحاق السلطانية

الخلاط

- 4 غطاء مخرج السرعة العالية
- 5 رأس الخلاط
- 6 مفتاح التحكم في السرعة والتشغيل النبضي
- 7 وحدة الطاقة (الموتور)
- 8 ذراع تحرير رأس الخلاط
- 9 قاعدة الوعاء
- 10 السلطانية
- 11 غطاء مخرج السرعة المنخفضة
- 12 مضرب العجين K
- 13 خفاقة البيض
- 14 خطاف العجين
- 15 ملعقة التقليب
- 16 مانع الرذاذ

أدوات السلطانية وبعض من استخداماتها

مضرب البيض

لخفق البيض والزبد والقشدة والعجائن السائلة والكيك الإسفنجي خالي الدسم وأغطية الحلوى (المرنغ) وكيك الجبن والموس والسوفليه. لا تستخدمى خفاقة البيض مع الخلطات السميكة (مثل خلط السمن مع السكر) - فقد تلتفبها.

مضرب العجين K

لعمل الكيك والبسكويت والمعجنات والغطاء السكري للحلوى والحشوات وجاتوه الإكلير والبطاطس المهروسة.

خطاف العجين

يستخدم مع خلطات الخميرة فقط

- توخي الحذر عند حمل هذا الجهاز فهو ثقيل. تأكدي من قفل رأس الخلاط في الوضع لأسفل وتأمين السلطانية والأدوات وأغطية المخارج والسلك الكهربائي قبل حمل الجهاز.
- توخي الحذر عند إزالة أدوات السلطانية بعد فترة استخدام مطولة حيث تكون درجة حرارتها مرتفعة.
- يجب الإشراف على الأطفال للتأكد من عدم عبثهم بالجهاز.
- لا تحاولي تحريك أو رفع رأس الخلاط أثناء تركيب أي من الملحقات حيث يصبح جهاز المطبخ المتكامل غير مستقر.
- يحذر تشغيل الجهاز بالقرب من حافة سطح التشغيل.
- يمكن استخدام الأجهزة من قبل أشخاص ذوي قدرات جسدية أو حسية أو عقلية منخفضة وممن هم دون خبرة أو معرفة باستخدام الأجهزة في حالة منحهم التعليمات الخاصة بالاستخدام أو الإشراف عليهم بحيث يمكنهم استخدامه بطريقة آمنة مع إدراك المخاطر التي تنطوي على استخدام الجهاز.
- قد يؤدي سوء استخدام الجهاز إلى حدوث إصابات.
- لا يجوز استخدام هذا الجهاز من قبل الأطفال. احتفظي بالجهاز والسلك الكهربائي بعيداً عن متناول الأطفال.
- تعتمد السعة القصوى على الملحق المستخدم والذي يستمد حمل أكبر. بعض من الملحقات الأخرى قد تستمد حمل أقل.
- استخدمي الجهاز فقط في الاستخدامات المنزلية المخصص لها. لن تتحمل شركة Kenwood أية مسؤولية في حالة استخدام الجهاز بطريقة غير صحيحة أو عدم الامتثال للتعليمات المذكورة.

قبل استخدام الجهاز للمرة الأولى

- اغسلي الأجزاء المسموح بغسلها: راجعي قسم "العناية والتنظيف".

قبل توصيل الجهاز بمصدر التيار الكهربائي

- يجب التأكد من تماثل مواصفات المصدر الكهربائي مع المواصفات الموضحة على الجانب السفلي للجهاز.
- يتوافق هذا الجهاز مع تنظيمات الاتحاد الأوروبي 2004/1935 المتعلقة بالمواد والأجسام المتلامسة مع الأطعمة.

استكشاف جهاز المطبخ المتكامل من Kenwood

تهانينا على اقتناء منتج Kenwood. من خلال العديد من الملحقات المتوفرة، فإن اقتنائك للجهاز لا يشكل فقط شراء الخلاط. فهو جهاز مطبخ متكامل عبقرى وفريد من نوعه، نتمنى أن ينال إعجابك وتستمتعين باستخدامه.

متين. يمكنك الاعتماد عليه. متنوع. منتج Kenwood.

السلامة

- اقرأ التعليمات التالية واحتفظي بها في المتناول للاستخدامات المستقبلية المرجعية.
- أزيل مكوّنات التغليف وأيّة ملصقات.
- في حالة تلف السلك الكهربائي، يجب استبداله لأسباب متعلقة بالسلامة من قبل KENWOOD أو مركز صيانة معتمد من قبل KENWOOD.
- أدير مفتاح التحكم في السرعات إلى موضع إيقاف التشغيل (OFF) "O" وافصلي الجهاز عن مصدر التيار الكهربائي قبل تركيب أو إزالة أي من الأدوات أو الملحقات وأيضا فور الانتهاء من الاستخدام وقبل التنظيف.
- أبعدي أصابعك عن الأجزاء المتحركة والملحقات التي تم تركيبها.
- يحذر ترك جهاز المطبخ المتكامل دون ملاحظة أثناء تشغيله.
- يحذر استخدام الجهاز في حالة تلفه. في مثل هذه الحالة يجب فحص الجهاز أو إصلاحه:
- راجعي قسم "الصيانة ورعاية العملاء".
- يحذر تشغيل جهاز المطبخ المتكامل عندما يكون الرأس مرفوعاً.
- يحذر ترك السلك الكهربائي متديلاً في حالة وجود طفل فقد ينتزعه.
- يحذر تعرض وحدة الطاقة "الموتور" أو سلك الكهرباء أو قابس التوصيل للماء.
- يحذر استخدام ملحق غير معتمد أو أكثر من ملحق في المرة الواحدة.
- يحذر تجاوز السعات القصوى الموضحة في جدول السعات القصوى.
- عند استخدام ملحق ما، يجب قراءة واتباع تعليمات الأمان الواردة معه.

رهنمای عیب‌یابی

مشکل	علت	راه حل
همزن پره‌ای یا K شکل به کف کاسه برخورد می‌کند یا به مواد کف کاسه نمی‌رسد.	ابزار در ارتفاع نادرست قرار داشته و نیاز به تنظیم دارد.	با استفاده از آچار مناسب، ارتفاع آن را تنظیم کنید - به بخش «تنظیم ابزار» رجوع نمایید.
جایگذاری ملحقات کم‌سرعت امکان‌پذیر نیست.	سازگاری ملحقات خود را با مدل دستگاهتان بررسی نمایید. نیاز به Twist connection system (مدل KAX) می‌باشد.	ملحقات باید مجهز به  KAX twist connection system باشد تا به خروجی بخورد. اگر ملحقاتی دارید که مجهز به  Bar Connection System هستند، برای متصل کردن آنها به twist connection system در دستگاه آشپزخانه خود نیاز به آداپتور KAT002ME خواهید داشت. برای کسب اطلاعات بیشتر، به آدرس www.kenwoodworld.com/twist مراجعه نمایید.
دستگاه آشپزخانه در حین کار قطع می‌شود.	سیستم جلوگیری از بار بیش از حد یا داغ شدن بیش از حد فعال شده است. مقدار موجود از حداکثر ظرفیت فراتر رفته است.	دستگاه را از برق بکشید و آن را برای وجود هرگونه انسداد یا بار بیش از حد بررسی کنید. کلید کنترل سرعت را روی "O" قرار دهید و سپس دوباره شروع کنید. اگر دستگاه کار نمی‌کند، مقداری از مواد داخل آن را خارج کنید تا بار آن سبک شود و مجدداً روشن کنید. اگر باز هم مشکل حل نشد، دستگاه را از برق بکشید و ۱۵ دقیقه به حال خود رها کنید. سپس آن را به برق بزنید و دوباره سرعت مورد نظر را انتخاب کنید. اگر دستگاه با انجام مراحل فوق شروع به کار نکرد، برای کسب راهنمایی‌های بیشتر با «خدمات مشتریان» تماس بگیرید.

سرویس و مراقبت از مشتری



- اگر هنگام کار با دستگاه با مشکل روبرو شدید، قبل از تماس گرفتن برای راهنمایی و کمک به راهنمای عیب یابی مراجعه کنید، و یا مدیر فروش www.kenwoodworld.com بازدید.

- لطفا توجه داشته باشید که محصول خود را با یک گارانتی تحت پوشش، که مطابق با تمام مقررات قانونی مربوط به هر حقوق موجود گارانتی و مصرف کننده در کشور که در آن محصول خریداری شد.

- اگر بد عمل کالا KENWOOD خود را و یا شما هر گونه نقص، لطفا آن را ارسال و یا آن را به یک مرکز خدمات مجاز KENWOOD را. برای پیدا کردن جزئیات به روز شده از نزدیکترین مرکز مجاز KENWOOD خدمات خود، لطفا www.kenwoodworld.com بازدید، و یا وب سایت های خاص به کشور خود.

- این طراحی و مهندسی کار توسط KENWOOD در انگلستان.
- ساخت چین.

اطلاعات مهم درباره روش صحیح دور انداختن محصول مطابق با مصوبه EC اتحادیه اروپا برای زیاده برق و الکترونیک تجهیزات (WEEE)

این محصول در پایان عمر مفید کاری اش نباید مانند زباله های شهری دور انداخته شود.

بلکه باید آنرا به مراکز تخلیه زیاده مخصوص شهرداری یا شرکت هایی که این کار را انجام می دهند تحویل داد.

دور انداختن جداگانه لوازم خانگی خطر آسیب های زیست محیطی و سلامتی ناشی از دور انداختن غیر اصولی را

کاهش می دهد و با این کار می توانیم مواد قابل بازیافت را از آنها جدا کرده و به صرفه جویی قابل توجهی در انرژی

و منابع دست پیدا کنیم. بعنوان نشانه یادآوری برای اینکه لوازم خانگی را نباید مانند زباله های عادی دور انداختن،

یک شکل سطل زباله که روی آن ضربدر خورده روی محصول نقش بسته است.

نگهداری و تمیز کردن

دستور پخت

مارینه چیلی

۲۰۰ گرم عسل شفاف و روان

۱ چیلی (کامل)

۲۰ گرم (۱ قاشق چایخوری) کره بادام زمینی ترد

ادویهجات

۱ کلیه مواد را به داخل خردکن کوچک/آسیاب بریزید.

۲ ملحقات را روی دستگاه آشپزخانه جایگذاری کنید و

بگذارید مواد در اطراف تیغه پخش شود.

۳ دکمه وضعیت را ۴ ثانیه روی حداکثر (max)

بگذارید.

۴ طبق نیاز استفاده نمایید.

• همیشه قبل از تمیز کردن دستگاه، آن را خاموش کرده و از برق بکشید.

• هنگام استفاده از خروجی کمسرعت ② برای اولین بار، کمی چربی ممکن است در آن پدیدار شود. این پدیده عادی است - کافی است آن را با دستمال تمیز کنید.

واحد برق و قابهای خروجی

• یک دستمال نم دار روی آن بکشید، و بعد خشک کنید.

• هرگز از مواد ساینده استفاده نکنید یا دستگاه را در آب فرو نکنید.

کاسه

• با دست بشویید و سپس به طور کامل خشک کنید، یا با ماشین ظرفشویی بشویید.

• هرگز از برس سیمی، سیم ظرفشویی یا وایتکس

برای تمیز کردن کاسه استنلس استیلتان استفاده

نکنید. برای پاک کردن رسوبات آهکی، از سرکه

استفاده کنید.

• از حرارت دور نکه دارید (اجاق گاز، فر، مایکروویو).

ابزارها و حفاظ

• با دست بشویید و سپس به طور کامل خشک کنید، یا

با ماشین ظرفشویی بشویید.

برای جا گذاشتن و استفاده از حفاظ

همزن K شکل و همزن پره‌ای

ابزارها در ارتفاع مناسب برای کاسه ارائه شده در کارخانه تنظیم شده‌اند و اصولاً نباید نیازی به تنظیمات باشد.

با این حال، اگر مایل به تنظیم کردن ابزار هستید، از آچاری با اندازه مناسب استفاده نمایید:

TYPE KVC30 = ۱۵ میلی‌متر

TYPE KVL40 = ۱۹ میلی‌متر

سپس طبق دستورالعمل‌های زیر عمل کنید:

۱ دستگاه را از برق بکشید.

۲ سر همزن را بالا ببرید و همزن پره‌ای یا K شکل را قرار دهید.

۳ سر همزن را پایین بیاورید. اگر فاصله بینابین آنها نیاز به تنظیم دارد، سر همزن را بالا ببرید و ابزار را در بیاورید. در حالت ایده‌آل، همزن پره‌ای و K شکل باید تقریباً به کف کاسه چسبیده باشد ⑧.

۴ با استفاده از یک آچار مناسب، پیچ را به اندازه کافی شل کنید تا امکان تنظیم محور مهیا شود ⑨. برای نزدیکتر کردن ابزار به کف کاسه، محور را در خلاف جهت عقربه ساعت بچرخانید.

برای دورتر کردن ابزار به کف کاسه، محور را در جهت عقربه ساعت بچرخانید.

۵ پیچ را دوباره سفت کنید.

۶ ابزار را در همزن جا بزنید و سپس سر همزن را پایین بیاورید. (جایگاه آن را بررسی کنید؛ به نکات فوق رجوع نمایید).

۷ مراحل فوق را طبق نیاز تکرار کنید تا اینکه ابزار به درستی جایگذاری شود. وقتی این کار انجام شد، پیچ را محکم ببندید.

• توجه: آچار در تصویر صرفاً جهت نمایش و ارائه توضیحات است.

قطعه خمیرزن

این ابزار در کارخانه تنظیم شده و اصولاً نباید نیازی به تنظیمات داشته باشد.

۱ سر همزن را بالا ببرید تا قفل شود.

۲ کاسه را روی پایه قرار دهید.

۳ حفاظ را در زیر سر همزن فشار دهید ⑥ تا کاملاً جا بیفتد.

بخش متصل باید مطابق با شکل قرار گرفته باشد.

۴ ابزار مورد نیاز را قرار دهید.

۵ سر همزن را پایین بیاورید.

• حین هم زدن، مواد را می‌توانید مستقیماً از طریق بخش متصل حفاظ به کاسه اضافه کنید ⑦.

• برای تعویض ابزارها نیازی نیست حفاظ را بردارید.

۶ با بالا آوردن سر همزن و فشار دادن آن به پایین، حفاظ را جدا کنید.

Chef XL	Chef	حداکثر گنجایش	
۹۱۰ گرم	۶۸۰ گرم	وزن آرد	خمیر بریزه
۱,۵ کیلوگرم	۱,۳۶ کیلوگرم	وزن آرد	خمیر نان (با مخمر سفت)
۲,۵۶ کیلوگرم	۲,۱۸ کیلوگرم	وزن کل	
۲,۶ کیلوگرم	۱,۳ کیلوگرم	وزن آرد	خمیر با مخمر نرم (با مایه کره و تخم مرغ)
۵ کیلوگرم	۲,۵ کیلوگرم	وزن کل	
۴,۵۵ کیلوگرم (مخلوط ۱۵ تخم مرغ)	۲,۷۲ کیلوگرم (مخلوط ۹ تخم مرغ)	وزن کل	مایه کیک میوه‌ای (به روش تهیه کرم با روغن و شکر)
۱۶ (۶۰۵ گرم)	۱۲ (۴۵۵ گرم)	تعداد وزن	سفیده‌های تخم مرغ

*اندازه تخم مرغ‌های مورد استفاده = اندازه متوسط (وزن بین ۳۵ تا ۲۶ گرم)

ابزار	دستور پخت/روند تهیه	سرعت پیشنهادی
همزن K شکل	تهیه کرم با کره/مارگارین و شکر	با سرعت "حداقل" (Min) شروع کنید و به تدریج تا "حداکثر" بالا ببرید
	زدن تخم مرغ داخل مخلوط کیک	"۴" تا "حداکثر" (Max)
	اضافه کردن در آرد، میوه و غیره	"افزودن" تا "۱"
	مخلوط کیک‌های همه در یک	با سرعت "حداقل" (Min) شروع کنید و به تدریج تا "حداکثر" (Max) بالا ببرید
	شیرینی و بیسکویت - مالش روغن و چربی در آرد	«حداقل» (Min) تا "۲"
	رویال ایسینگ	«حداقل» (Min) تا "۱"
پره	پوره سیب‌زمینی	با سرعت «حداقل» (Min) شروع کنید و به تدریج تا "حداکثر" (Max) بالا ببرید
	سفیده‌های تخم مرغ	افزایش تدریجی تا "حداکثر" (Max)
	کیک‌های اسفنجی بدون چربی خامه	
قطعه خمیرزن	برای مخلوط‌های خمیر دارای مخمر	سرعت «حداقل» (Min) به مدت ۴۵ تا ۶۰ ثانیه سپس افزایش تا سرعت "۱"
		ورز دادن مجدد با سرعت "۱"

برای استفاده از ابزار کاسه‌ای خود

- ۱ اهرم بالا بر سر را در خلاف جهت عقربه ساعت بچرخانید و سر همزن را بالا بیاورید تا جایی که در موقعیت قفل قرار گیرد ②.
- اطمینان حاصل کنید که پد قرار دادن کاسه ③ به درستی جایگذاری شده باشد به طوری که علامت ④ در بالاترین نقطه قرار بگیرد.
- ۲ کاسه را روی پایه جا بگذارید، به پایین فشار دهید و در جهت عقربه‌های ساعت بچرخانید ⑤ تا در جای خود محکم شود.
- ۳ ابزار مورد نیاز را داخل سوکت قرار دهید. سپس ابزار را بالا بکشید ④ و بچرخانید ⑤ تا در جای خود قفل شود.
- توجه: اگر محتویات کف همزن K شکل یا همزن پره‌ای گیر می‌کند و بالا نمی‌آید، به بخش "تنظیم ابزارها" رجوع کنید.
- ۴ سر همزن را کمی بالا بیاورید، سپس اهرم بالا بر سر را در خلاف جهت عقربه ساعت بچرخانید و سر همزن را پایین بدهید تا جایی که قفل شود.
- ۵ با چرخاندن کلید کنترل سرعت ⑥ روی سرعت مورد نظر، دستگاه را بکار بیاندازید. برای روشن کردن‌های کوتاه با حداکثر سرعت، کلید را روی موقعیت (P) قرار دهید.
- ۶ پس از اتمام کار، کلید کنترل سرعت را روی وضعیت 'O' (خاموش) قرار دهید و دستگاه آشپزخانه را از برق بکشید.
- ۷ ابزار را در جهت عقربه ساعت بچرخانید تا از سوکت آن آزاد شود و سپس آن را جدا کنید.

نکات

- برای افزودن ترکیبات به صورت یکجا، همزن را متوقف کنید و کاسه را مرتباً با کاردک به سمت پایین بتراشید.
- برای حصول نتیجه بهتر، هنگام هم زدن، از تخم مرغ‌هایی با دمای اتاق استفاده کنید.
- قبل از هم زدن سفیده تخم مرغ، اطمینان حاصل کنید که روغن یا زرده تخم مرغ روی پره یا داخل کاسه وجود نداشته باشد.
- از مواد سرد برای تهیه شیرینی استفاده کنید، مگر اینکه در دستور تهیه به گونه‌ای دیگر عنوان شده باشد.

نکاتی در مورد تهیه نان

مهم

- هرگز بیش از حداکثر ظرفیت مشخص شده مواد را به داخل دستگاه نریزید - در این صورت ممکن است بار دستگاه را بیش از حد سنگین کنید.
- اگر صدای سنگین کار کردن دستگاه را شنیدید، دستگاه را خاموش کنید، نیمی از خمیر را خارج نمایید و هر نیمه را جداگانه بزنید.
- اگر ابتدا مایع را بریزید، مواد بهتر مخلوط خواهند شد.

مخمر

- **مخمر خشک** (نوعی که نیاز به فعال‌سازی با افزودن آب دارد): مقداری آب گرم داخل کاسه بریزید. سپس مخمر و شکر اضافه کنید و ۱۰ دقیقه به حال خود رها کنید تا کف‌دار شود.
- **مخمر تازه**: در داخل آرد خرد کنید.
- **سایر مخمرها**: مطابق با دستورالعمل‌های تولیدکننده عمل کنید.
- خمیر را داخل یک کیسه پلی اتیلن چرب (پلاستیک فریزر) یا کاسه‌ای قرار دهید و روی آن را با دستمال ظرفخشککن بپوشانید.
- سپس در جایی گرم بگذارید تا اینکه حجم آن دوبرابر شود.

مهم

هنگام استفاده از سایر خروجی‌ها، اطمینان حاصل کنید که هیچ ابزار کاسه‌ای در کاسه جا نزده یا نگهداری نشده باشد.

با دستگاه آشپزخانه Kenwood خود آشنا شوید

اختیاری

تعدادی ملحقات اختیاری در بازار موجود است که می‌توانید آنها را با دستگاه آشپزخانه خود بکار بگیرید. برای مشاهده تمامی ملحقات موجود و نحوه خرید ملحقاتی که در بسته محصول شما شامل نشده است، برگه ملحقات داخل بسته را مطالعه نمایید یا به وبسایت www.kenwoodworld.com مراجعه کنید.

Key

خروجی‌های ملحقات

- ① خروجی پرسرعت
- ② خروجی کمسرعت
- ③ سوکت ابزار کاسه

همزن

- ④ قاب خروجی پرسرعت
- ⑤ سر همزن
- ⑥ کنترل سرعت+پالس
- ⑦ واحد موتور
- ⑧ اهرم آزادسازی سر
- ⑨ پد قرار دادن کاسه
- ⑩ کاسه
- ⑪ قاب خروجی کمسرعت
- ⑫ همزن K شکل
- ⑬ همزن پره‌ای
- ⑭ قطعه خمیرزن
- ⑮ کاردک
- ⑯ حفاظ

توجه: ملحقات خروجی کمسرعت

خروجی کمسرعت دستگاه آشپزخانه شما مجهز به Twist Connection System است. این سیستم به این منظور طراحی شده است که ملحقات Twist Connection System به دستگاه بخورد. هنگام خرید ملحقات جدید برای خروجی کمسرعت، باید سازگاری آنها را با دستگاه آشپزخانه خود بررسی کنید. کلیه ملحقات Twist Connection System را می‌توان با کد محصول تشخیص داد که با عبارت KAX شروع می‌شود. همچنین با لوگوی Twist  که روی بسته حک شده است نیز قابل تشخیص می‌باشد. برای کسب اطلاعات بیشتر، به آدرس www.kenwoodworld.com/twist مراجعه نمایید. اگر ملحقاتی دارید که مجهز به Bar Connection System  هستند، برای متصل کردن آنها به Twist Connection System در دستگاه آشپزخانه خود نیاز به آداپتور KAT002ME خواهید داشت. برای کسب اطلاعات بیشتر، به آدرس www.kenwoodworld.com/twist مراجعه نمایید.

ابزار کاسه‌ای و بعضی از کاربردهای آن

پره

برای تخم مرغ، خامه، مایه کیک، کیک اسفنجی بدون چربی، مرنگ، چیز کیک، کیک موس، سوفله، از پره برای ترکیبات غلیظ (مثلاً تهیه کرم با روغن و شکر) - استفاده نکنید - ممکن است به آن آسیب بزنید.

همزن K شکل

برای تهیه کیک، بیسکویت، شیرینی، یخچینه، مخلفات داخل شیرینی‌ها، آکلر، و پوره سیب زمینی.

قطعه خمیرزن

فقط برای ترکیبات مخمری.

- پس از استفاده طولانی مدت از ابزارهای کاسه‌ای، در هنگام برداشتن آنها احتیاط کنید، زیرا ممکن است داغ شده باشند.
- حتماً باید کودکان را تحت نظر داشت تا مبادا با دستگاه بازی کنند.
- زمانی که ملحقاتی را جا گذاشته‌اید، سر همزن را حرکت ندهید یا بلند نکنید، زیرا دستگاه آشپزخانه ممکن است بی‌ثبات شود.
- با دستگاهتان نزدیک به لبه سطح کار نکنید.
- این دستگاه می‌تواند توسط بالاتر و افرادی که دارای ناتوانیهای بدنی، حسی یا ذهنی می‌باشند یا تجربه یا دانش کافی ندارند مورد استفاده قرار گیرد به شرط آنکه دستورالعملهای لازم برای استفاده ایمن از دستگاه به آنها داده شده و تحت نظارت قرار بگیرند و از خطرات استفاده از دستگاه آگاه شوند.
- استفاده نادرست از دستگاه موجب بروز جراحت خواهد شد.
- این دستگاه باید توسط کودکان استفاده نمی‌شود. دستگاه و سیم برق خود را دور از دسترس کودکان نگه دارید.
- حداکثر درجه‌بندی بر اساس ابزاری است که بالاترین بار را می‌کشد. سایر ملحقات ممکن است کمتر برق مصرف کنند.
- از دستگاه فقط برای منظوری که طراحی شده است یعنی مصرف خانگی استفاده کنید. اگر دستگاه به طور نادرست به کار گرفته شود، و یا این دستورالعمل‌ها رعایت نشده باشند، Kenwood هیچ مسئولیتی را نخواهد پذیرفت.

قبل از وصل کردن دوشاخه

- مطمئن شوید که مشخصات برق تغذیه کننده مشابه مشخصات درج شده در زیر دستگاه شما باشد.
- این دستگاه با بخشنامه مقررات شماره 1935/2004 که در باره موادی که با مواد غذایی تماس دارند تطابق دارد.

قبل از اولین بار استفاده

- قطعات را بشویید: به بخش "نگهداری و تمیز کردن" مراجعه کنید.

با دستگاه آشپزخانه Kenwood خود آشنا شوید

عرض تبریک به مناسبت خرید یکی از محصولات Kenwood. این دستگاه با این همه ملحقاتی که داراست، تبدیل به چیزی بیش از یک همزن شده است. یک دستگاه آشپزخانه به‌روز و پیشرفته. امیدواریم از آن لذت ببرید.

بر قدرت. مطمئن. چند منظوره. Kenwood.

ایمنی

- این دستورالعملها را با دقت بخوانید و دفترچه را برای مراجعات بعدی نگهداری کنید.
- کلیه بسته بندیها را باز کرده و برچسبها را بکنید.
- اگر سیم آسیب دیده است، به منظور تامین ایمنی باید حتماً و حتماً توسط KENWOOD یا یک تعمیرکار مجاز KENWOOD تعویض شود.
- قبل از جا زدن یا جدا کردن ابزارها/ملحقات، پس از استفاده و قبل از تمیزکاری، کنترل سرعت را روی وضعیت 'O' (خاموش) بچرخانید و دستگاه را از برق بکشید.
- انگشتان‌تان را از قطعات متحرک و ملحقات جایگذاری‌شده دور نگه دارید.
- هرگز دستگاه آشپزخانه را در حین عملکردش به حال خود رها نکنید.
- هرگز از دستگاه صدمه دیده استفاده نکنید. برای بازمینی یا تعمیر، آن را نزد متخصص مربوطه ببرید: به بخش "سرویس و خدمات‌رسانی به مشتریان" مراجعه نمایید.
- هنگام کار با دستگاه آشپزخانه، هرگز سر خود را بالای دستگاه قرار ندهید.
- هرگز نگذارید که سیم از محلی که کودکان می‌توانند آن را بکشند آویزان باشد.
- هرگز اجازه ندهید که دستگاه، سیم یا دوشاخه خیس شوند.
- هرگز از ملحقات غیرمجاز استفاده نکنید یا همزمان بیش از یکی از ملحقات را بکار نگیرید.
- هرگز مواد غذایی را بیش از مقداری که در جدول حداکثر ظرفیت عنوان شده است در داخل دستگاه نریزید.
- هنگام استفاده از هریک از ملحقات، دستورالعمل‌های ایمنی که همراه آن ارائه شده است را مطالعه نموده و رعایت کنید.
- هنگام بلند کردن این دستگاه احتیاط کنید، زیرا سنگین است. قبل از بلند کردن، اطمینان حاصل کنید که سر به درستی در وضعیت پایین چفت شده باشد و کاسه، ابزارها و قاب‌های خروجی محکم باشند.



HEAD OFFICE: Kenwood Limited, 1-3 Kenwood Business Park, New Lane, Havant, Hampshire PO9 2NH

kenwoodworld.com

KENWOOD

CREATE MORE

5720000803/1