

LAMAX

ELECTRONICS

LAMAX W7.1

ACTION CAMERA



EN – USER MANUAL

DE – BENUTZERHANDBUCH

CS – UŽIVATELSKÁ PŘÍRUČKA

SK – POUŽÍVATEĽSKÁ PRÍRUČKA

PL – INSTRUKCJA OBSŁUGI

HU – FELHASZNÁLÓI KÉZIKÖNYV

LAMAX

ELECTRONICS

LAMAX W7.1

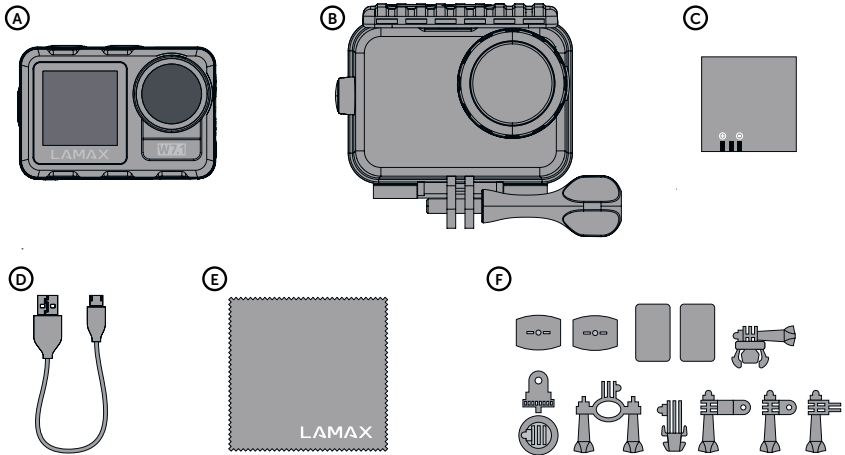
ACTION CAMERA



CONTENTS

1. BOX CONTENTS	2
2. GETTING TO KNOW YOUR CAMERA.....	3
3. CAMERA CONTROLS	4
4. TURNING IT ON FOR THE FIRST TIME.....	4
5. VIDEO MODE SETTINGS.....	5
6. PHOTO MODE SETTINGS.....	6
7. CAMERA SETTINGS	6
8. WIFI – MOBILE APP.....	7
9. WATER RESISTANCE	8
10. SAFETY PRECAUTIONS.....	8

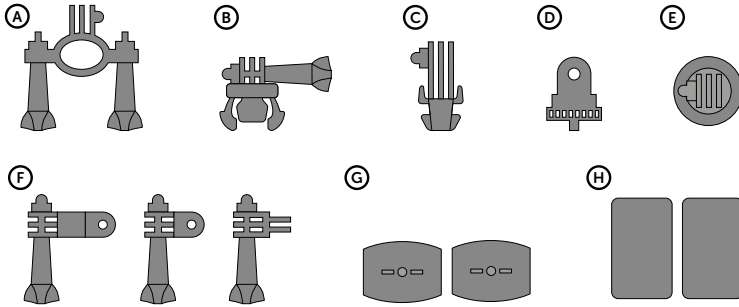
1. BOX CONTENTS



- A** LAMAX W7.1 Action Camera
- B** Case, waterproof up to 40 m
- C** Li-ion battery

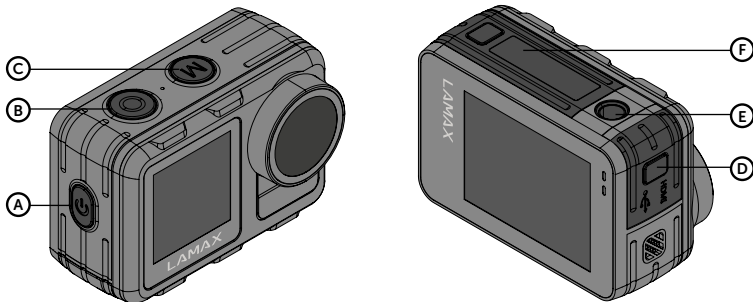
- D** Micro USB cable for charging/transferring files
- E** Microfibre cloth
- F** Mounts

MOUNTS



- (A) Pole mount – to mount, for example, on handlebars
- (B) Fast plug-in – to quickly snap in place
- (C) J mount – to quickly snap in place with elevation
- (D) Tripod adapter – to connect the camera without a case
- (E) Tripod adapter – to connect the camera in the case to the tripod
- (F) 3-axis connector (3 parts) – to mount in any direction
- (G) Adhesive mounts (2x) – to attach to a smooth surface (helmet, hood)
- (H) Spare 3M adhesive pads (2x) – to reattach the adhesive mount






2. GETTING TO KNOW YOUR CAMERA



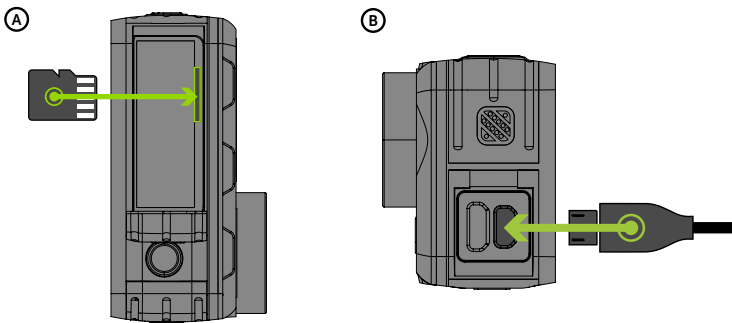
- (A) POWER button
- (B) REC button
- (C) MODE button
- (D) Cover for micro USB and micro HDMI connector
- (E) Door for battery and microSD card slot
- (F) Thread to attach the camera to a tripod or selfie stick

Note: Use only the recommended accessories, otherwise the camera may be damaged.

3. CAMERA CONTROLS

Turn on / off	Hold down the POWER button or swipe down and press the POWER icon
Start / stop the recording or take a photo	Press the REC button
Switch quickly between photo / video mode	Swipe to the side or press the MODE button
Select the mode	Touch the icon  or swipe up and select the desired mode
Settings	Touch the icon 
View files	Touch the icon 
Switch between displays	Hold the MODE button
Turn WiFi on / off	WiFi can be found in the camera settings by touching the icon  or swiping from top to bottom and touching the WiFi icon 

4. TURNING IT ON FOR THE FIRST TIME



(A) INSERT THE MICROSD CARD INTO THE CAMERA AS SHOWN (CONNECTORS TOWARDS THE LENS)

- Only insert the card when the camera is turned off and not connected to your computer.
- Format the card directly in the camera the first time you use it.
- We recommend memory cards with a higher write speed (UHS Speed Class -U3 and higher) and a maximum capacity of 128 GB.

Note: Use only micro SDHC or SDXC cards from reputable manufacturers. With generic third-party cards, there is no guarantee that the data storage will work properly.

(B) CONNECT THE CAMERA TO A POWER SOURCE

- You can charge the camera by either connecting it to your computer or using an optional AC adapter.
- It takes approximately 4.5 hours to charge the battery from 0 to 100%. When charged, the charge indicator turns off.

Note: Charging the battery from 0 to 80% takes 2.5 hours.

5. VIDEO MODE SETTINGS

Video resolution	The resolution and FPS (frames per second) settings at which the camera will record.
MAXsmooth	MAXsmooth stabilization on/off, available in all resolutions at a maximum of 60 FPS. When stabilized, the field of view (FOV) is smaller and can negatively affect video quality in low-light conditions. It cannot be combined with the fisheye correction feature.
LDC	Turns fisheye correction on/off. When on, it reduces the field of view. Cannot be combined with the image stabilization function.
White balance	Adjusts the white balance for different ways of lighting a scene.
Exposure	Exposure compensation setting. A higher value means a lighter video, a lower value means a darker video.
Metering	Sets how the exposure is metered. <ul style="list-style-type: none">› Average – the camera obtains light information from the entire scene and sets average values.› Center – for shooting objects that will mainly be in the middle of the shot.› Single point – allows you to measure a small part of the scene, the default setting being the center. Use the touch screen to select another point from which the camera determines the exposure.› Matrix – In this setting, the camera measures light intensity from several points in the scene and then combines the results to find the best exposure setting.
Sharpness	Adjusts the sharpness of the video.
Video quality	Sets the desired video quality.
ISO	ISO settings. Setting the ISO value determines its sensitivity to light. The higher the value, the brighter the image
Date stamp	Turns the date and time stamp on the recorded video on/off.
Audio recording	Sets whether the camera records audio.
Slow motion video	Depending on the resolution, the video can be slowed down 2x - 8x.
Video length in Loop recording mode	Sets the length of the segments the video is divided into.
Recording interval in Time-lapse mode	Sets the time interval at which the camera will take photos.
Video length in Time-lapse mode	Sets the duration of time-lapse video. After the set time has elapsed, the recording will end.

6. PHOTO MODE SETTINGS

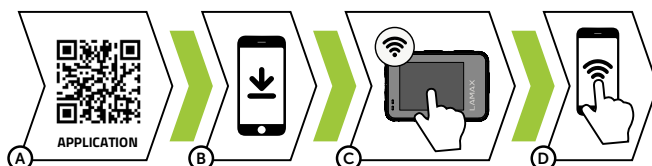
Photo resolution	Sets the resolution of the photos you take.
White balance	Adjusts the white balance for different ways of lighting a scene.
Exposure	exposure compensation settings. A higher value means a lighter photo, a lower value means a darker photo.
Metering	Sets how the exposure is metered. <ul style="list-style-type: none">› Average – the camera obtains light information from the entire scene and sets average values.› Center – for shooting objects that will mainly be in the middle of the shot.› Single point – allows you to measure a small part of the scene, the default setting being the center. Use the touch screen to select another point from which the camera determines the exposure.› Matrix – In this setting, the camera measures light intensity from several points in the scene and then combines the results to find the best exposure setting.
Sharpness	Adjusts the sharpness of the video.
Long exposure	Sets the exposure time. Under this setting, the camera leaves the shutter open for longer than normal. For best results, we recommend using a tripod and not moving the camera.
ISO	ISO settings. Setting the ISO value determines its sensitivity to light. The higher the value, the brighter the image.
Date stamp	Turns the date and time stamp on/off in the photo taken.
Photo interval in Auto mode	Sets the interval after which the camera will automatically take photos when the REC button is pressed.
Photo burst	Sets the number of photos the camera takes in 1 second.
Self-timer	Sets the length of time for the self-timer.

7. CAMERA SETTINGS



Rotate Image	Allows you to rotate the image when shooting upside down.
Wi-Fi	Turns Wi-Fi on/off.
Wi-Fi Informations	View the Wi-Fi network name and password.
Wi-Fi reset	Reset the Wi-Fi network settings.
Network frequency	Enables you to select the frequency in accordance with the frequency of the grid (on the European continent there is a current with a frequency of 50 Hz, in the Americas and parts of Asia it is 60 Hz).
LED indicator	LED indicator on/off.

Screen saver	Sets the time after which the display automatically turns off to save battery. Touch the display or press the buttons to activate the display again.
Auto power off	Sets the camera to turn off automatically when idle. When turned on, the camera powers off if not recording video.
Sounds	Turns the camera system sounds on/off and adjusts their volume.
Language	Selects the language.
Date format	Allows you to select the date format.
Time settings	Setting the system time in the camera.
Date settings	Setting the system date in the camera.
Format	Erases all data on the memory card.
Device info	Displays information about the camera model and firmware.
Factory settings	Allows you to reset the camera to factory settings.

8. WIFI – MOBILE APP



The mobile app enables you to change camera modes and settings, or view and download videos and photos directly to your mobile device.

- A** Scan the QR code to download the app or click the following link:
<https://www.lamax-electronics.com/w71/app>
- B** Install the app on your mobile device.
- C** WiFi can be found in the camera settings by touching the icon  or swiping from top to bottom and touching the WiFi icon .
- D** On your mobile device, connect to the WiFi network named after the camera. The WiFi password is shown on the camera display (default: 1234567890).

9. WATER RESISTANCE

Resistance when immersed in water under the following conditions:

ACTION CAMERA:

The camera without the case can resist immersion to a depth of 12 metres. Before immersion, make sure that the covers on the side and bottom of the camera are properly closed. Covers and seals must be free from any impurities such as dust, sand and alike. Do not open camera covers before the camera body is dry. If used in salt water, rinse the camera with drinking water. Do not use any fabrics or external heat sources (hairdryer, microwave oven, etc.) to dry, always allow the camera to dry gradually.

WATERPROOF CASE:

The case can resist immersion to a depth of 40 metres. Before using the camera in the case, make sure that the rear door of the case is properly closed using the mechanism on the top of the case. The case door and seal must be free of any impurities such as dust, sand and alike. When used in salt water, rinse the case with drinking water. Do not use any fabrics or external heat sources (hairdryer, microwave oven, etc.) for drying, always allow the case to dry gradually. When in the waterproof case, the touch screen of the camera display cannot be used, and the camera must be operated using the buttons.

REMOTE CONTROL:

The remote control can resist immersion to a depth of 2 metres. Before immersion, make sure that the USB cover on the underside of the control is properly closed. Do not open the cover before the remote control has dried. Do not use external heat sources (hairdryer, microwave oven, etc.) for drying, allow the remote control to dry gradually or use a small cloth.

10. SAFETY PRECAUTIONS

The consumer is required to learn the principles of safe use of the product before first use.

PRECAUTIONS AND NOTICES

- For your own safety, do not use the camera's controls while driving.
- A window mount is needed when using the recorder in a car. Make sure that you place the recorder in an appropriate place, so as not to obstruct the driver's view or deployment of airbags.
- Make sure that no object is blocking the camera lens and no reflective material is placed near the lens. Please keep the lens clean.
- If the car's windshield is tinted or coated, it may impact the recording quality.

SAFETY PRECAUTIONS

- Do not use the charger in high moisture environment. Never touch the charger when your hands or feet are wet.
- Allow adequate ventilation around the charger when using it to operate the device or to charge the battery. Do not cover the charger with paper or other objects that will reduce cooling. Do not use the charger while it is inside a carrying case.
- Connect the charger to a proper power source. The voltage requirements are found on the product case and/or on the packaging.
- Do not use the charger if it is visibly damaged. In case of damage, do not repair the equipment yourself!
- In case of device overheating, immediately disconnect the power source.
- Charge the device under supervision only.
- Packaging contains small pieces, that can be dangerous for children. Store the product always out of reach of children. Bags or many of the pieces containing may cause suffocation after swallowing.

SAFETY NOTICES FOR LI-ION BATTERIES


- Before first use, fully charge the battery.
- For charging only use chargers, that is specified for this type of battery.
- Use standard cables for charging, otherwise it could damage the device.
- Never connect to a mechanically damaged charger or if the batteries are swollen. Do not use batteries in this condition due to risk of explosion.
- Do not use any damaged adapter or charger.
- Charge at room temperature, never charge at a temperature below 0°C or at a temperature higher than 40°C.
- Avoid dropping the battery, don't puncture, or mutilate it. Definitely do not attempt to repair a damaged battery.
- Do not expose the charger or battery to moisture, water, rain, snow or any kind of various liquids.
- Do not leave the battery in the car, do not expose to direct sunlight and do not place it near heat sources. Strong light or high temperatures can damage the battery.
- Never leave batteries without supervision during charging, short circuit or accidentally overcharge. Some batteries are unsuitable for fast charging or being charged excessively. This can cause a shock, or due to charger failure, may cause leakage of aggressive chemicals, explosion or subsequent fire!
- In the case of excessive heating of the battery during charging, immediately disconnect it from the power supply.
- Do not place charger and charging battery on or near flammable objects. Beware of curtains, carpets, tablecloths etc.
- Once the battery or device with integrated battery is fully charged, disconnect it from the power supply.
- Keep the battery out of the reach of children and animals.
- Never disassemble the charger or battery. If the battery is integrated, do not disassemble the device, unless stated otherwise. Any such attempt is dangerous and can cause injury or damage to the product and subsequent loss of warranty.
- Do not dispose worn or damaged batteries into the trash, fire or into heating devices, but hand them in at collection points for hazardous waste.

CARING FOR YOUR DEVICE

- Taking good care of your device will ensure trouble-free operation and reduce the risk of damage.
- Keep your device away from excessive moisture and extreme temperatures and avoid exposing your device to direct sunlight or strong ultraviolet light for extended periods of time.
- Do not drop your device or subject it to severe shock.
- Do not subject your device to sudden and severe temperature changes. This could cause moisture condensation inside the unit, which could damage your device. In the event of moisture condensation, allow the device to dry out completely before use.
- The screen surface can easily be scratched. Avoid touching it with sharp objects.
- Never clean your device when it is powered on. Use a soft, lint-free cloth to wipe the screen and the exterior of your device. Do not use paper towels to clean the screen.
- Never attempt to disassemble, repair or make any modifications to your device. Disassembly, modification or any attempt at repair could cause damage to your device and even bodily injury or property damage and will void any warranty.
- Do not store or carry flammable liquids, gases or explosive materials in the same compartment as your device, its parts or accessories.
- To discourage theft, do not leave the device and accessories in plain view in an unattended vehicle.
- Overheating may damage the device.
- In the case of contact with heavily chlorinated water or sea water, rinse the camera in drinking water and dry it.
- Do not use an external heat source such as a microwave oven or hair dryer to dry the camera.

- Always make sure that the battery door or the power port door is not ajar before swimming or diving. If they are, close them. Otherwise, the camera will not remain watertight.
- Wipe the touchscreen only with a cloth designed for the purpose and avoid scratching.

OTHER INFORMATION

1) For households: This marking () indicates that this product should not be disposed with other household wastes throughout the EU. To prevent possible harm to the environment or human health from uncontrolled waste disposal, recycle it responsibly to promote the sustainable reuse of material resources. To return your used device, please use the return and collection systems or contact the retailer where the product was purchased. They can take this product for environmental safe recycling. In case of incorrect disposal of this kind of wastes user can be fined according to national laws. User information for disposal of electric and electronic devices in countries outside the EU: The symbol stated above (crossed recycle bin) is valid only in countries in European Union. For correct disposal of electric and electronic devices ask your city hall or distributor of these devices. Everything is expressed by the symbol of crossed recycle bin on product, cover or printed materials.

2) You can determine a warranty service at the place of purchase. In case of technical problems or queries contact your dealer who will inform you about the following procedure. Follow the rules for work with electric devices. User is not allowed to disassembly the device neither replace any of its components. To reduce the risk of electric shock, do not remove or open the cover. In case of incorrect setup and plug in of device you will expose yourself risk of electric shock.

The warranty period for the product is 24 months, unless specified otherwise. The warranty does not apply to damage caused by non-standard use, mechanical damage, exposure to aggressive conditions, handling contrary to the manual and regular wear and tear. The warranty period for the battery is 24 months, for its capacity 6 months.

The manufacturer, importer and distributor bear no responsibility for any damage cause by the assembly or improper use of the product.

DECLARATION OF CONFORMITY:

Hereby, elem6 s.r.o., declares that all LAMAX products are in compliance with the essential requirements and other relevant provisions of Directive 2014/30/EU and 2014/53/EU. Products are intended for sale without any restriction in Germany, Czech Republic, Slovak Republic, Poland, Hungary and other EU countries. Products are covered by a two year warranty, unless otherwise stated. You can download the Declaration of Conformity from the website: www.lamax-electronics.com/support/doc.

- Frequency band in which the radio equipment operates: 2.412 – 2.472 GHz
- Maximum radio-frequency power transmitted in the frequency band in which the radio equipment operates: 12.51 dBm

MANUFACTURER:

elem6 s.r.o., Braškovská 308/158, 161 00 Praha 6
<https://www.lamax-electronics.com>



Misprints and changes in the manual are reserved.

LAMAX

ELECTRONICS

LAMAX W7.1

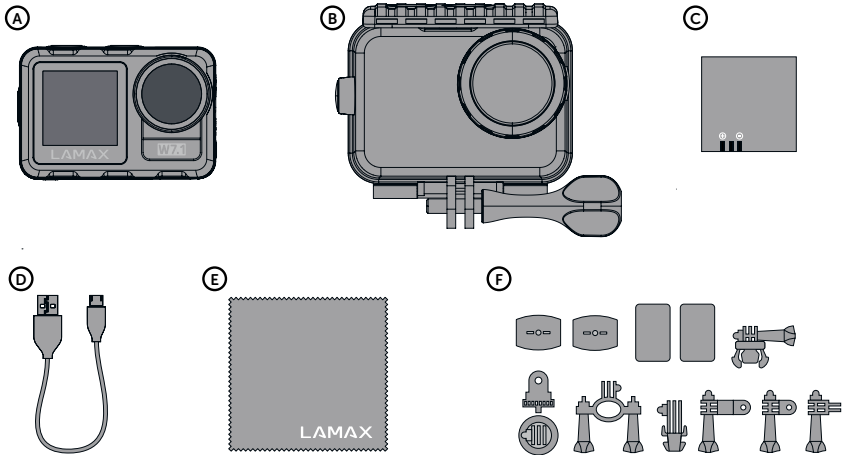
ACTION CAMERA



INHALT

1. VERPACKUNGSIHALT	2
2. VORSTELLUNG DER KAMERA	3
3. BEDIENUNG DER KAMERA	4
4. ERSTE INBETRIEBNAHME	4
5. EINSTELLUNGEN IM VIDEO MODUS	5
6. EINSTELLUNGEN IM FOTO MODUS	6
7. KAMERA-EINSTELLUNGEN	6
8. WIFI – MOBILE APPLIKATION	7
9. WASSERDICHT	7
10. SICHERHEITSMASSNAHMEN	8

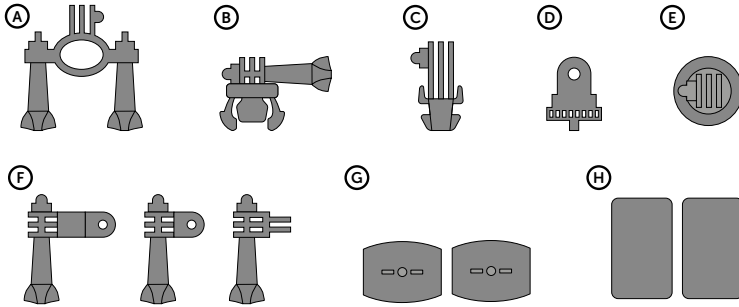
1. VERPACKUNGSIHALT



- Ⓐ LAMAX® W7.1 Aktionkamera
- Ⓑ Wasserdichte Hülle bis 40 m
- Ⓒ Li-ion Batterie

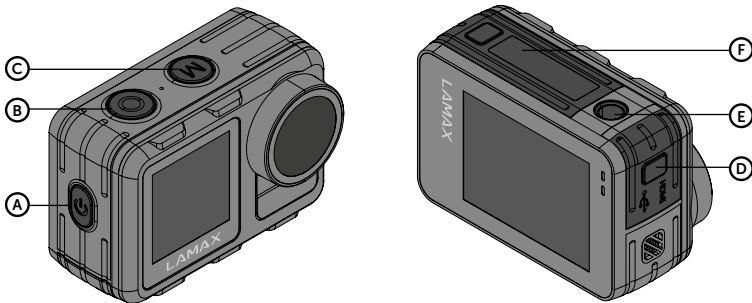
- Ⓓ Micro USB Ladekabel/Datenkabel
- Ⓔ Mikrofaser Tuch
- Ⓕ Halterungen

HALTERUNGEN



- A** Halterung für Stangen – zum Beispiel zur Befestigung an einem Fahrradlenker
- B** Fast plug-in – für ein schnelles einrasten der Halterung
- C** J mount – für ein schnelles Einrasten mit höherer Position
- D** Stativreduktion – zur Befestigung der Kamera ohne Hülle am Zubehör
- E** Stativadapter – zur Befestigung der Kamera mit Hülle am Stativ
- F** 3-axis connector (3 Teile) – zur Befestigung in beliebiger Richtung
- G** Selbstklebende Halterung (2x) – zur Befestigung auf glatten Oberflächen (Helm, Motorhaube)
- H** 3M Ersatz Klebepads (2x) – für ein erneutes Aufkleben der Klebehalterung

2. VORSTELLUNG DER KAMERA



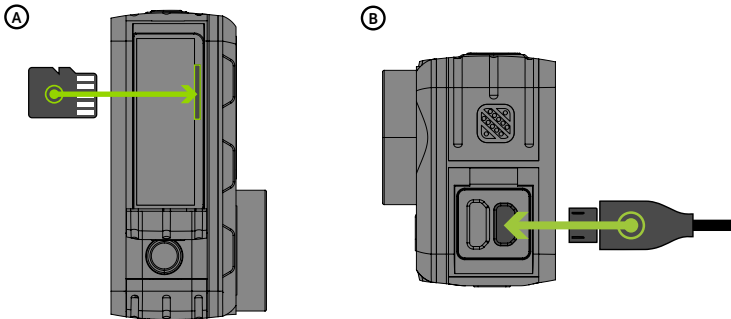
- A** POWER Taste
- B** REC Taste
- C** MODE Taste
- D** Türchen zu den Micro USB und Micro HDMI Anschlüssen
- E** Türchen zur Batterie und dem Micro SD Kartenslot
- F** Gewinde zur Befestigung der Kamera auf einem Stativ oder einer Selfiestange

Anmerkung: Verwenden Sie nur empfohlenes Zubehör, sonst könnte die Kamera beschädigt werden.

3. BEDIENUNG DER KAMERA

Ein- und Ausschalten	Durch gedrücktes Halten der POWER Taste oder durch Ziehen des Daumens nach unten und Drücken des POWER Symbols
Abspielen / Beenden der Aufzeichnung und Erstellung eines Fotos	Drücken der REC Taste
Schnelle Änderung des Modus Foto/Video	Ziehen des Daumens zur Seite oder mit der MODE Taste
Wahl des Modus	Berühren des Symbols  oder Ziehen des Daumens nach oben wo Sie dann den gewünschten Modus wählen
Einstellungen	Berühren des Symbols 
Dateiansicht	Berühren des Symbols 
Umschalten zwischen den Displays	Gedrücktes Halten der MODE Taste
WiFi Ein/Aus	WiFi in den Kameraeinstellungen durch Berühren des Symbols  oder durch Ziehen des Fingers von oben nach unten, wo Sie auf das Wi-Fi  Symbol klicken

4. ERSTE INBETRIEBNAHME



A) LEGEN SIE DIE MICRO SD KARTE SO WIE IN DER ABBILDUNG DARGESTELLT EIN (MIT DER STECKVERBINDUNG ZUM KAMERAOBJEKTIV)

- Legen Sie die Karte nur dann ein, wenn die Kamera ausgeschaltet und nicht mit einem Computer verbunden ist.
- Formatieren Sie die Karte bei erstmaliger Verwendung direkt in der Kamera.
- Wir empfehlen Speicherkarten mit einer höheren Schreibgeschwindigkeit (UHS Speed Class –U3 und höher) und einer maximalen Kapazität von 128 GB.

Anmerkung: Verwenden Sie nur Micro SDHC oder SDXC Karten renommierter Hersteller. Karten der Nicht-Markenproduzenten gewährleisten keine richtige Funktion des Datenspeicherplatzes.

B) VERBINDEN SIE DIE KAMERA MIT DER STROMVERSORUNG

- Die Kamera können Sie sowohl durch das Anschließen an einen PC, als auch mithilfe eines Netzteils aufladen.
- Das Aufladen der Batterie von 0 auf 100 % dauert ungefähr 4,5 Stunden. Nachdem die Batterie geladen ist, erlischt die Ladestandanzeige.

Anmerkung: Das Aufladen der Batterie von 0 auf 80 % dauert 2,5 Stunden.

5. EINSTELLUNGEN IM VIDEO MODUS

Videoauflösung	Einstellung der Auflösung und FPS (Aufnahmen pro Sekunde) mit der die Kamera aufnehmen wird.
MAXsmooth	Ein/aus MAXsmooth Stabilisierung, die bei allen Auflösungen mit maximal 60 fps verfügbar ist. Bei eingeschalteter Stabilisierung ist der Aufnahmewinkel (FOV) kleiner und kann bei schlechten Lichtverhältnissen die Videoqualität negativ beeinflussen. Kann nicht mit der Funktion der Korrektur des Fischauges kombiniert werden.
LDC	Ein/aus der Reduktion des Fischauges mit Hilfe der Verringerung des Aufnahmewinkels. Kann nicht mit der Funktion der Bildstabilisation verwendet werden.
Weißabgleich	Einstellung des Weißabgleiches für verschieden beleuchtete Szenen.
Exposition	Einstellung der Kompensation der Exposition. Ein höherer Wert bedeutet ein helleres Video, ein niedriger Wert ein dunkleres Video.
Metering	Einstellung der Art der Expositionsmessung. <ul style="list-style-type: none">➤ Durchschnitt – Bei dieser Einstellung sammelt die Kamera Informationen über die Beleuchtung der gesamten Szene und stellt die Durchschnittswerte ein.➤ Mittel – Diese Einstellung eignet sich für Aufnahmen von Objekten, die sich überwiegend in der Mitte der Aufnahme befinden werden.➤ Ein Punkt – Diese Einstellung ermöglicht die Messung eines kleinen Teils der Szene, Ausgangseinstellung ist Mittel. Der Benutzer kann mit Hilfe des Touch Displays einen anderen Punkt auswählen, aufgrund dessen die Kamera die Exposition festlegt.➤ Matrix – Bei dieser Einstellung misst die Kamera die Intensität des Lichtes an mehreren Punkten der Szene und kombiniert dann die Ergebnisse um die bestmögliche Einstellung für die Aufnahme zu finden.
Schärfe	Einstellung der Videoschärfe.
Videoqualität	Einstellung der gewünschten Videoqualität.
ISO	Einstellung des ISO Wertes. Der eingestellte ISO Wert legt die Lichtempfindlichkeit fest. Je höher der Wert, umso heller die Aufnahme.
Zeitstempel	Schaltet das Einfügen von Datum und Uhrzeit in das aufgenommene Video ein/aus.
Tonaufzeichnung	Einstellung, ob die Kamera auch den Ton aufnehmen soll.
Zeitlupe	Je nach Auflösung kann das Video 2x – 8x verlangsamt werden.
Länge der Videoaufnahme im Modus der Zyklischen Aufnahme	Einstellung der Aufteilung der Videoaufnahme in Zeitsegmente gemäß der gewählten Einstellung.
Aufnahmeintervall im Modus Zeitraffer	Einstellung des Zeitintervalls in dem die Kamera Aufnahmen machen wird.
Länge der Videoaufnahme im Modus Zeitraffer	Einstellung der Dauer der Zeitrafferaufnahme. Nachdem die eingestellte Zeit abgelaufen ist wird die Aufnahme beendet.

6. EINSTELLUNGEN IM FOTO MODUS

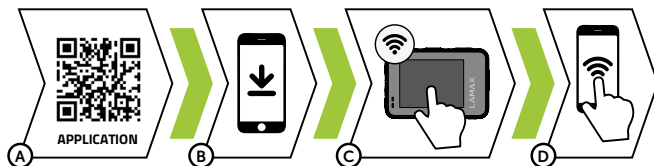
Foto Auflösung	Einstellung der Auflösung der gemachten Fotos.
Weißabgleich	Einstellung des Weißabgleiches für verschieden beleuchtete Szenen.
Exposition	Einstellung der Kompensation der Exposition. Ein höherer Wert bedeutet ein helleres Foto, ein niedriger Wert ein dunkleres Foto.
Metering	Einstellung der Art der Expositionsmessung. <ul style="list-style-type: none">› Durchschnitt – Bei dieser Einstellung sammelt die Kamera Informationen über die Beleuchtung der gesamten Szene und stellt die Durchschnittswerte ein.› Mittel – Diese Einstellung eignet sich für Aufnahmen von Objekten, die sich überwiegend in der Mitte der Aufnahme befinden werden.› Ein Punkt – Diese Einstellung ermöglicht die Messung eines kleinen Teils der Szene, Ausgangseinstellung ist Mittel. Der Benutzer kann mit Hilfe des Touch Displays einen anderen Punkt auswählen, aufgrund dessen die Kamera die Exposition festlegt.› Matrix – Bei dieser Einstellung misst die Kamera die Intensität des Lichtes an mehreren Punkten der Szene und kombiniert dann die Ergebnisse um die bestmögliche Einstellung für die Aufnahme zu finden.
Schärfe	Einstellung der Videoschärfe.
Lange Exposition	Einstellung der Dauer der Exposition. Bei dieser Einstellung bleibt der Verschluss der Kamera für einen längeren Zeitraum geöffnet, als normal. Für bessere Ergebnisse empfehlen wir die Verwendung eines Stativs und die Kamera nicht zu bewegen.
ISO	Einstellung des ISO Wertes. Der eingestellte ISO Wert legt die Lichtempfindlichkeit fest. Je höher der Wert, umso heller die Aufnahme.
Zeitstempel	Schaltet das Einfügen von Datum und Uhrzeit in das aufgenommene Foto ein/aus.
Fotointervall im Modus Auto	Einstellung des Intervalls, in dem die Kamera automatisch Fotos macht, nachdem die REC Taste gedrückt wurde.
Serienfotos	Einstellung der Anzahl der Fotos, die die Kamera in 1 Sekunde macht.
Zeitablauf Selbstausröser	Einstellung des Zeitintervalls für den Selbstausröser.

7. KAMERA-EINSTELLUNGEN



Drehen der Aufnahme	Ermöglicht das Drehen der Aufnahme, wenn Sie kopfüber Aufnahmen machen.
Wi-Fi	Schaltet Wi-Fi ein/aus.
Wi-Fi-Informationen	Wi-Fi-Netzwerkname und Passwort anzeigen.
Wi-Fi zurücksetzen	Ermöglicht das Zurücksetzen der Wi-Fi-Netzwerkeinstellungen.
Netzfrequenz	Ermöglicht, die Frequenz in Übereinstimmung mit der Frequenz des Verteilungsnetzes zu wählen (in Europa 50 Hz, in Amerika und Asien sind es 60 Hz)

LED-Anzeige	LED-Anzeige ein/aus.
Bildschirmschoner	Einstellung des Zeitraumes, nach dem sich das Display abschaltet um Batterie zu sparen. Durch Berühren des Displays oder Drücken der Tasten wird das Display erneut aktiviert.
Automatisches Abschalten	Einstellung der automatischen Abschaltung der Kamera, wenn diese nicht benutzt wird. Wenn die Funktion eingestellt ist, wird die Kamera ausgeschaltet, wenn keine Aufnahmen gemacht werden.
Töne	Ein/aus der Systemtöne der Kamera und deren Lautstärke.
Sprache	Auswahl der Sprache.
Datumsformat	Ermöglicht die Auswahl des Datenformats.
Zeiteinstellung	Einstellen der Systemzeit in der Kamera.
Einstellung des Datums	Einstellung der Systemdaten in der Kamera.
Formatieren	Löschen aller Daten auf der Speicherkarte.
Geräte-Info	Zeigt Informationen über das Kameramodell und die Firmware an.
Werkseinstellungen	Ermöglicht das Zurücksetzen der Kamera auf die Werkseinstellungen.

8. WIFI – MOBILE APPLIKATION



Dank der mobilen Applikation können Sie den Modus und die Einstellungen der Kamera ändern oder gemachte Videos und Fotos direkt in Ihrem mobilen Gerät betrachten.

- Ⓐ Scannen Sie den QR Code um die Applikation herunterzuladen oder klicken Sie auf den folgenden Link: <https://www.lamax-electronics.com/w71/app>
- Ⓑ Installieren Sie die Applikation in Ihrem mobilen Gerät.
- Ⓒ WiFi in den Kameraeinstellungen durch Berühren des Symbols  oder durch Ziehen des Fingers von oben nach unten, wo Sie auf das Wi-Fi  Symbol klicken.
- Ⓓ Verbinden Sie Ihr mobiles Gerät mit dem WiFi Netz mit dem Namen der Kamera. Das WiFi Passwort wird auf dem Kameradisplay angezeigt (werkseitig 1234567890).

9. WASSERDICHT

Das Gerät ist unter folgenden Bedingungen wasserdicht:

ACTION CAM:

Kamera ohne Hülle bis zu einer Tiefe von 12 Metern wasserdicht. Vergewissern Sie sich vor dem Eintauchen, dass alle Abdeckungen an der Seite und im unteren Bereich ordentlich verschlossen sind. Die Abdeckungen und Dichtungen müssen frei von Verunreinigungen, wie Staub, Sand und Ähnlichem sein. Öffnen Sie die Abdeckungen der Kamera erst, nachdem alle Teile der Kamera trocken sind. Wenn Sie die Kamera in Salzwasser verwenden

den, sollten Sie diese nach dem Gebrauch mit Süßwasser abspülen. Verwenden Sie zum Abtrocknen keine Textilien oder externe Wärmequellen (Fön, Mikrowelle u.Ä.), lassen Sie die Kamera immer von alleine trocknen.

WASSERDICHTHE HÜLLE:

Die Hülle ist für Wassertiefen von bis zu 40 Metern geeignet. Bevor Sie die Kamera mit der Hülle verwenden, vergewissern Sie sich, dass die rückwärtige Abdeckung der Hülle mit dem Mechanismus auf der Oberseite der Hülle verschlossen ist. Die Abdeckungen und Türchen müssen frei von Verunreinigungen, wie Staub, Sand und Ähnlichem sein. Wenn Sie die Kamera in Salzwasser verwenden, sollten Sie diese nach dem Gebrauch mit Trinkwasser abspülen. Verwenden Sie zum Abtrocknen keine Textilien oder externe Wärmequellen (Fön, Mikrowelle u.Ä.), lassen Sie die Hülle immer von alleine trocknen. Wenn die wasserdichte Hülle verwendet wird, kann das Touch Display der Kamera nicht verwendet werden und die Kamera muss mit Hilfe der Tasten bedient werden.

FERNBEDIENUNG:

Die Fernbedienung ist für Wassertiefen von bis zu 2 Metern geeignet. Vergewissern Sie sich vor dem Eintauchen, dass die USB Abdeckung an der Unterseite der Fernbedienung ordentlich verschlossen ist. Öffnen Sie die Abdeckung nicht, bevor die Fernbedienung trocken ist. Verwenden Sie keine externen Wärmequellen (Fön, Mikrowelle u.Ä.) um die Fernbedienung zu trocknen, lassen Sie die Fernbedienung von alleine trocknen oder verwenden Sie feine Textilien zum Abtrocknen.

10. SICHERHEITSMASSNAHMEN

Der Kunde verpflichtet sich zuerst den sicheren Gebrauch des Produktes zu aus der Bedienungsanleitung zu erlernen.

WARNUNGEN, INFORMATIONEN UND SICHERHEITSMASSNAHMEN

- Aus Sicherheitszwecken bedienen Sie die Kamera nicht während sie ein Fahrzeug führen.
- Wenn Sie die Kamera im Auto benutzen möchten ist eine Saugnapphalterung nötig. Die Kamera muss an einer geeigneten Stelle angebracht werden um die Sicht des Fahrers nicht zu behindern und Sicherheitsrelevante Systeme wie Airbags nicht zu behindern oder zu stören.
- Das Objektiv der Kamera darf nicht verdeckt sein und in der Nähe sollten sich keine reflektierenden Materialien befinden. Halten Sie das Objektiv sauber.
- Wenn die Windschutzscheibe mit einer reflektierenden Schicht verfärbt ist kann die Qualität der Videoaufnahme niedriger sein.

SICHERHEITSHINWEISE

- Ladegerät nicht in sehr feuchter Umgebung benutzen. Fassen Sie das Gerät nie an wenn Sie nasse Hände oder im Wasser stehen.
- Wenn das Gerät geladen oder mit Strom versorgt wird oder lassen Sie genügend Abstand zu anderen Gegenständen um ein ausreichende Lüftung zu gewährleisten. Decken Sie das Ladegerät nicht mit Papieren oder anderen Materialien zu um die Kühlung nicht zu behindern. Benutzen Sie das Ladegerät nicht in der Verpackung.
- Das Ladegerät immer an die richtige Netzspannung anschließen. Einspeise Spannung finden Sie auf dem Gerät oder auf der Verpackung.
- Ladegerät nicht benutzen wenn es augenscheinlich beschädigt ist. Versuchen Sie das Gerät nicht selber reparieren.
- Wenn das Gerät zu heiß werden sollte, sofort von der Stromzufuhr trennen.
- Der Packungsinhalt beinhaltet kleine Teile, die eine Gefahr für Kinder darstellen können. Bewahren Sie das Produkt stets außerhalb der Reichweite von Kindern auf. Die Verpackung und Enthaltene Kleinteile können bei Verschlucken eine Erstickungsgefahr darstellen.

SICHERHEITSHINWEISE ZU LITHIUM-IONEN-AKKUS

- Laden Sie vor der ersten Verwendung den Akku vollständig auf.
- Verwenden Sie zum Laden nur Ladegeräte, welche für diesen Gerätetyp bestimmt sind.
- Verwenden Sie nur zugelassene Ladekabel, ansonsten riskieren Sie eine Beschädigung des Geräts.


- Laden Sie das Gerät niemals, wenn es beschädigt ist, oder der Akku angeschwollen ist. Verwenden Sie niemals beschädigte Akkus, da sonst Explosionsgefahr besteht.
- Verwenden Sie niemals beschädigte Ladegeräte, oder Ladeadapter.
- Laden Sie das Gerät bei Raumtemperatur, niemals bei unter 0°C, oder bei über 40°C.
- Lassen Sie den Akku niemals fallen, versuchen Sie niemals den Akku zu öffnen oder zu verändern. Versuchen Sie niemals einen beschädigten Akku zu reparieren.
- Bringen Sie den Akku niemals in Kontakt mit Feuchtigkeit, Wasser, Regen, Schnee, oder jeglicher Form von Flüssigkeit.
- Lassen Sie den Akku niemals unbeaufsichtigt im Auto, oder setzen ihn direkter Sonneneinstrahlung bzw. übermäßiger Hitze aus. Bei übermäßiger Sonneneinstrahlung oder Hitzeeinwirkung kann es zu Beschädigungen kommen und es besteht Explosionsgefahr.
- Lassen Sie den Akku während des Ladevorgangs niemals unbeaufsichtigt, schließen Sie den Akku niemals kurz oder überladen ihn. Akkus die unsachgemäß geladen werden, oder während des Ladevorgangs Stößen ausgesetzt sind, können auslaufen und gefährliche Chemikalien freisetzen die zu Verätzungen oder sogar Feuer führen können.
- Trennen Sie bei Auftreten von übermäßiger Hitze den Akku umgehend vom Ladegerät und verwenden Sie diesen nicht mehr.
- Verwenden Sie das Ladegerät und den ladenden Akku niemals in der Nähe von brennbaren Objekten wie z.B. Vorhängen, Tischdecken, etc.
- Nachdem der Akku vollständig aufgeladen ist, trennen Sie diesen aus Sicherheitsgründen vom Ladegerät.
- Bewahren Sie den Akku stets außerhalb der Reichweite von Kindern oder Tieren auf.
- Nehmen Sie das Ladegerät oder den Akku niemals auseinander. Falls der Akku im Gerät integriert ist, versuchen Sie niemals den Akku aus dem Gerät zu entfernen oder auszubauen. Zusätzlich zu den oben beschriebenen Gefahren verfällt hierdurch auch die Garantie Ihres Geräts.
- Entsorgen Sie Akkus niemals im normalen Hausmüll oder werfen ihn in ein Feuer. Entsorgen Sie Akkus stets bei den dafür vorgesehenen Sammelstellen für Gefahrgut.

GERÄTEPFLEGE

- Eine gute Gerätepflege sichert Ihnen einen einwandfreien Betrieb, Langlebigkeit und mindert das Risiko von Beschädigungen.
- Halten Sie das Gerät fern von extremer Feuchtigkeit und Temperaturen, setzen Sie das Gerät langfristig nicht ultravioletter und Sonneneinstrahlung aus.
- Vermeiden Sie starke Schläge und Fall des Gerätes.
- Setzen Sie das Gerät keinen extremen Temperaturschwankungen aus. Dies könnte zu Kondenswasserbildung im inneren des Geräts führen und das Gerät beschädigen. Bei Kondenswasserbildung lassen Sie das Gerät vor weiterer Inbetriebnahme mehrere Tage gründlich trocknen.
- Die Displayoberfläche kann leicht verkratzen. Nicht mit scharfen Gegenständen berühren.
- Gerät nicht putzen wenn eingeschaltet. Um das Display und die Kamera zu reinigen benutzen Sie ein Fusselfreies feines Tuch. Display nicht mit Papiertaschentüchern reinigen.
- Versuchen Sie nie die Kamera auseinander zu nehmen, selber zu reparieren oder sonst wie zu verändern. In allen Fällen von Demontage oder anderen Änderungen des Geräts verfällt die Garantie und es kann zu Verletzungen oder sogar Schäden an Eigentum kommen.
- Lagern und transportieren Sie das Gerät oder seine Teile nicht in der der Nähe von brennbaren Materialien, Flüssigkeiten, Gasen oder Sprengmaterial.
- Um Diebstahl vorzubeugen lassen Sie das Gerät oder Zubehör sichtbar im Auto ohne Aufsicht.
- Überhitzung kann das Gerät beschädigen.
- Laden Sie das Gerät nur unter Aufsicht.
- Wenn die Autokamera mit stark chlorhaltigem oder mit Salzwasser in Berührung kommt, spülen Sie sie mit Trinkwasser ab und trocknen Sie sie ab.
- Verwenden Sie keine externen Wärmequellen zum Austrocknen der Autokamera, wie beispielsweise eine Mikrowelle oder einen Fön.

- Kontrollieren Sie vor dem Schwimmen oder dem Tauchen immer, dass das Batteriefach oder die Ladeport-Abdeckung nicht geöffnet sind. Falls doch, schließen Sie sie. Sonst wird die Autokamera nicht wasserdicht sein.
- Reinigen Sie den Touch-Screen nur mit einem Tuch, das dafür bestimmt ist und verhindern Sie damit das Zerkratzen.

WEITERE ANGABEN

1) Für Haushalte: Das angeführte Symbol  auf dem Gerät oder in der begleitenden Dokumentation bedeutet, dass die gebrauchten elektrischen oder elektronischen Produkte nicht zusammen mit dem Restmüll entsorgt werden dürfen. Damit sie ordnungsgemäß entsorgt werden können, geben Sie sie bitte an der dafür bestimmten Sammelstellen ab, wo sie kostenlos angenommen werden. Durch die richtige Entsorgung dieses Produkts helfen Sie, die wertvollen natürlichen Rohstoffe zu erhalten und dem potentiellen negativen Einfluss auf die Umwelt und die menschliche Gesundheit, die die negativen Folgen einer falschen Entsorgung darstellen, vorzubeugen. Erfragen Sie weitere Details bei der lokalen Behörde oder bei der nächsten Sammelstelle. Bei einer falschen Entsorgung dieser Produktenart können Ihnen gemäß den lokalen Vorschriften Geldbußen auferlegt werden. Informationen für die Entsorgung der elektrischen oder elektronischen Geräten (Nutzung seitens Firmen und Unternehmen): Erfragen Sie detaillierte Informationen über die Entsorgung der elektrischen und elektronischen Geräte bei Ihrem Händler oder Lieferanten. Informationen über die Entsorgung der elektrischen und elektronischen Geräte für die Benutzer aus anderen Ländern außerhalb der Europäischen Union: Das oben angeführte Symbol (durchgestrichene Mülltonne) ist nur in den Ländern der Europäischen Union gültig. Für eine ordnungsgemäße Entsorgung der elektrischen und elektronischen Geräte erfragen Sie detaillierte Informationen bei Ihren Behörden oder Händlern. Das Symbol der durchgestrichenen Mülltonne steht für alle oben aufgeführten Vorschriften.

2) Machen Sie die Garantiereparaturen des Geräts bei Ihrem Händler geltend. Bei technischen Problemen und Fragen setzen Sie sich mit Ihrem Händler in Verbindung, der Sie über das weitere Vorgehen informieren wird. Halten Sie sich an die Regeln des Umgangs mit Gerät. Der Benutzer ist nicht berechtigt, die Geräte auseinanderzunehmen und oder irgendeinen Teil von ihnen auszuwechseln. Beim Auseinandernehmen oder Abnehmen des Gehäuses droht das Risiko einer Verletzung durch einen Stromschlag. Bei einer nicht korrekten Zusammensetzung des Geräts und dessen nachfolgenden Anschluss an die Stromversorgung setzen Sie sich auch dem Risiko einer Stromverletzung aus.

Die Garantie für die Produkte beträgt 24 Monate, wenn nicht anders festgelegt. Die Garantie bezieht sich nicht auf Beschädigungen, die durch eine nicht dem Standard entsprechende Nutzung, mechanische Schäden, aggressive Bedingungen, eine Verwendung im Widerspruch zur Bedienungsanleitung und den normalen Gebrauch werden. Die Garantie auf die Batterie beträgt 24 Monate, für die Kapazität 6 Monate.

Der Hersteller, Importeur und auch der Vertreiber haften nicht für Schäden, die durch eine Montage oder falsche Verwendung des Produktes verursacht werden.

KONFORMITÄTserklärung:

Hiermit erklärt die elem6 s.r.o., dass alle Produkte der LAMAX konform sind mit den Richtlinien und relevanten Provisionen der Direktive 2014/30/EU und 2014/53/EU. Die Produkte sind für den uneingeschränkten Verkauf in Deutschland, Tschechien, Slowakei, Polen, Ungarn, und anderen EU Ländern bestimmt. Insofern nicht anders deklariert, sind die Produkte mit einer zweijährigen Herstellergarantie versehen. Sie können die vollständige Konformitätserklärung unter der folgenden Webseite einsehen: www.lamax-electronics.com/support/doc.

- Frequenzbereich in denen das Radiogerät operiert: 2.412 – 2.472 GHz
- Maximale Radiofrequenzstärke, die über den/die Frequenzbereich des Geräts abgestrahlt wird: 12.51 dBm

HERSTELLER:

elem6 s.r.o., Braškovská 308/158, 161 00 Praha 6
<https://www.lamax-electronics.com>



Druckfehler und Änderungen in der Betriebsanleitung sind vorbehalten.

LAMAX

ELECTRONICS

LAMAX W7.1

ACTION CAMERA

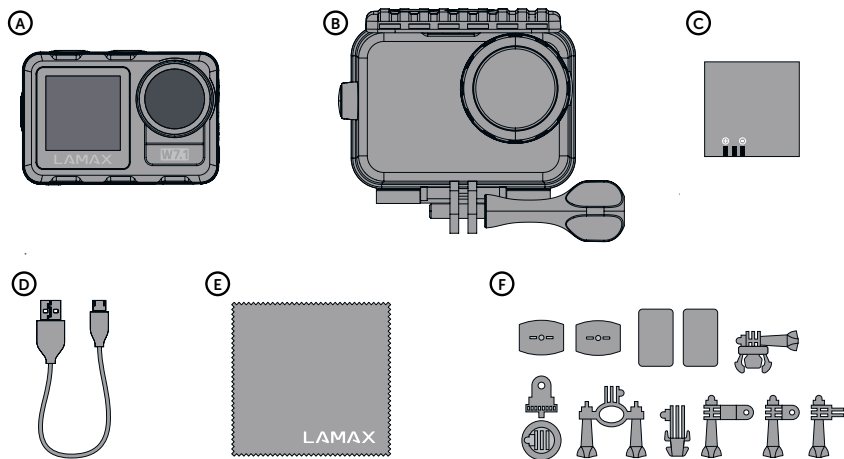


CS – Uživatelská příručka

OBSAH

1. OBSAH BALENÍ.....	2
2. SEZNÁMENÍ S KAMEROU.....	3
3. OVLÁDÁNÍ KAMERY.....	4
4. PRVNÍ ZAPNUTÍ.....	4
5. NASTAVENÍ V REŽIMU VIDEO.....	5
6. NASTAVENÍ V REŽIMU FOTOGRAFIE.....	6
7. NASTAVENÍ KAMERY.....	6
8. WIFI – MOBILNÍ APLIKACE.....	7
9. VODOTĚSNOST.....	8
10. BEZPEČNOSTNÍ OPATŘENÍ.....	8

1. OBSAH BALENÍ



A Akční kamera LAMAX W7.1

B Vodotěsný obal do 40 m

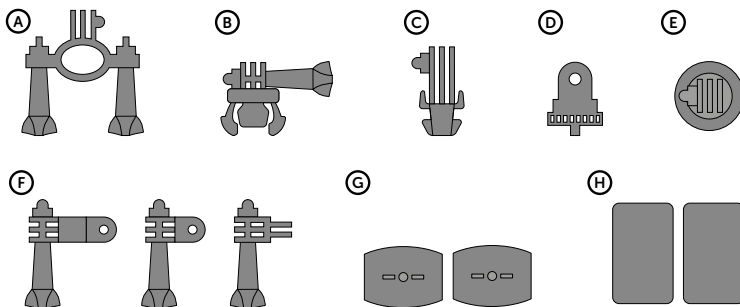
C Li-ion baterie

D Micro USB kabel pro nabíjení/přenos souborů

E Utěrka z mikrovlákna

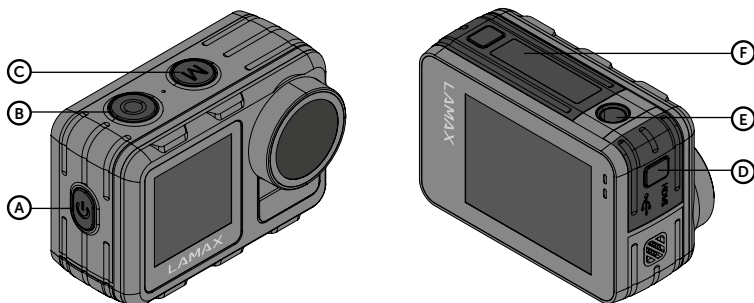
F Úchyty

ÚCHYTY



- A** Držák na tyč – pro upevnění například na řídítka
- B** Fast plug-in – pro rychle navaknutí držáku
- C** J mount – pro rychle navaknutí s vyvýšením
- D** Redukce na stativ – pro připojení kamery bez pouzdra na příslušenství
- E** Adaptér na stativ – pro připojení kamery v pouzdru na stativ
- F** 3-axis connector (3 části) – pro upevnění libovolným směrem
- G** Samolepící držák (2x) – pro uchycení na hladký povrch (helma, kapota)
- H** Náhradní 3M podložky (2x) – pro opětovné nalepení samolepícího držáku






2. SEZNÁMENÍ S KAMEROU



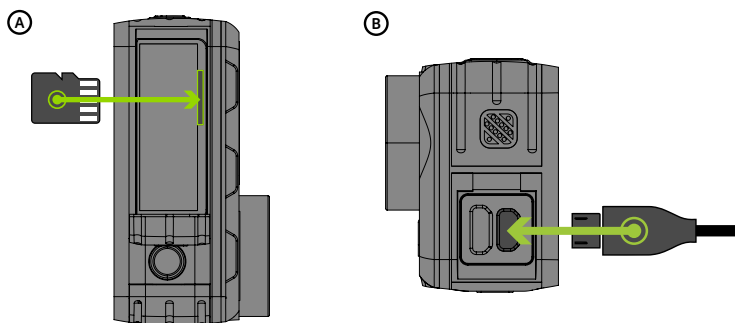
- A** Tlačítko POWER
- B** Tlačítko REC
- C** Tlačítko MODE
- D** Dvířka ke konektorům micro USB a micro HDMI
- E** Dvířka k baterii a slotu na micro SD kartu
- F** Závít pro upevnění kamery na stativ nebo selfie tyč

Poznámka: Používejte pouze doporučené příslušenství, v opačném případě může dojít k poškození kamery.

3. OVLÁDÁNÍ KAMERY

Zapnutí a vypnutí	Podržení tlačítka POWER nebo potažením palce směrem dolů a následně stlačení ikony POWER
Spuštění / ukončení záznamu a zhotovení fotografie	Stisknutím tlačítka REC
Rychlá změna režimu foto/video	Potažením palce do strany nebo tlačítkem MODE
Zvolení režimu	Dotykem na ikonu  nebo potažením palce směrem nahoru kde následně zvolíte požadovaný režim
Nastavení	Dotykem na ikonu 
Prohlížení souborů	Dotykem na ikonu 
Přepínání mezi displeji	Podržení tlačítka MODE
Zapnutí/vypnutí WiFi	WiFi v nastavení kamery dotykem na ikonu  nebo potažením prstem ze shora dolů, kde kliknete na ikonu Wi-Fi 

4. PRVNÍ ZAPNUTÍ



Ⓐ VLOŽTE MICROSD KARTU DO KAMERY PODLE OBRÁZKU (KONEKTORY SMĚREM K OBJEKTIVU)

- Kartu vkládejte jen, když je kamera vypnutá a není připojená k počítači.
- Kartu při prvním použití zformátujte přímo v kameře.
- Doporučujeme paměťové karty s vyšší zapisovací rychlostí (UHS Speed Class –U3 a vyšší) a maximální kapacitou 128 GB.

Poznámka: Používejte jen Micro SDHC či SDXC karty od renomovaných výrobců. Karty neznackových výrobců nezaručují správné fungování datového úložiště.

Ⓑ PŘIPOJTE KAMERU K NAPÁJENÍ

- Kameru můžete nabíjet jak připojením k počítači, tak pomocí dokoupitelného síťového adaptéru.
- Nabití baterie z 0 na 100 % trvá přibližně 4,5 hod. Po nabití zhasne indikátor nabíjení.

Poznámka: Nabití baterie z 0 na 80 % trvá 2,5 hod.

5. NASTAVENÍ V REŽIMU VIDEO

Rozlišení videa	Nastavení rozlišení a FPS (snímků za vteřinu) ve kterém kamera bude nahrávat.
MAXsmooth	Zapnutí/vypnutí MaxSmooth stabilizace, která je dostupná ve všech rozlišeních při maximálně 60 fps. Při zapnuté stabilizaci je úhel záběru (FOV) menší a také může při horších světelných podmínkách negativně ovlivnit kvalitu videa. Nelze kombinovat s funkcí korekce rybiho oka.
LDC	Zapíná/vypíná redukci rybiho oka za pomoci zmenšení úhlu záběru. Nelze kombinovat s funkcí se stabilizací obrazu.
Vyvážení bílé	Nastavení vyvážení bílé barvy pro různé způsoby osvětlení scény.
Expozice	Nastavení kompenzace expozice. Vyšší hodnota znamená světlejší video, nižší hodnota tmavší video.
Měření expozice	Nastavení způsobu měření expozice. <ul style="list-style-type: none">➤ Průměr – V tomto nastavení kamera získá informace o světle z celé scény a nastaví průměrné hodnoty.➤ Střed – Toto nastavení je vhodné pro natáčení objektů, které se budou převážně nacházet uprostřed záběru.➤ Jeden bod – Toto nastavení umožní změřit malou část scény, výchozí nastavení je střed. Uživatel pomocí dotykové obrazovky může zvolit jiný bod, ze kterého kamera určí expozici.➤ Matrix – V tomto nastavení kamera změní intenzitu světla z několika bodů scény a poté zkombinuje výsledky pro nalezení co nejlepšího nastavení expozice.
Ostrost	Nastavení ostrosti videa.
Kvalita videa	Nastavení požadované kvality videa.
ISO	Nastavení hodnoty ISO. Nastavená hodnota ISO určí citlivost na světlo. Čím vyšší hodnota, tím světlejší snímek.
Označení času	Zapíná/vypíná vložení data a času do nahrávaného videa.
Nahrávání zvuku	Nastavení, zda má kamera nahrávat zvuk.
Zpomalené video	V závislosti na rozlišení lze video zpomalit 2x – 8x.
Délka videa v módu Cyklické nahrávání	Nastavení rozdělení videa do časových segmentů dle výběru nastavení.
Interval nahrávání v módu Časoběr	Nastavení časového intervalu ve kterém bude kamera pořizovat snímky.
Délka videa v módu Časoběr	Nastavení trvání časoběrného videa. Po uplynutí nastaveného času se nahrávání ukončí.

6. NASTAVENÍ V REŽIMU FOTOGRAFIE

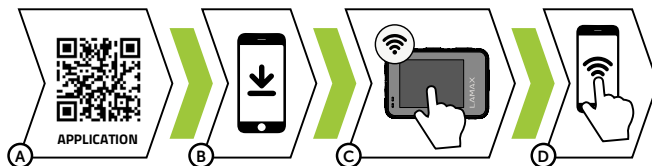
Rozlišení fotografie	Nastavení rozlišení pořizovaných fotografií.
Vyvážení bílé	Nastavení vyvážení bílé barvy pro různé způsoby osvětlení scény.
Expozice	Nastavení kompenzace expozice. Vyšší hodnota znamená světlejší fotografii, nižší hodnota tmavší fotografii.
Měření expozice	Nastavení způsobu měření expozice. <ul style="list-style-type: none">› Průměr – V tomto nastavení kamera získá informace o světle z celé scény a nastaví průměrné hodnoty.› Střed – Toto nastavení je vhodné pro natáčení objektů, které se budou převážně nacházet uprostřed záběru.› Jeden bod – Toto nastavení umožní změřit malou část scény, výchozí nastavení je střed. Uživatel pomocí dotykové obrazovky může zvolit jiný bod, ze kterého kamera určí expozici.› Matrix – V tomto nastavení kamera změří intenzitu světla z několika bodů scény a poté zkombinuje výsledky pro nalezení co nejlepšího nastavení expozice
Ostrost	Nastavení ostrosti videa.
Dlouhá expozice	Nastavení doby expozice. V tomto nastavení kamera nechá závěrku otevřenou na delší dobu, než normálně. Pro nejlepší výsledky doporučujeme použít stativ a nehybat s kamerou.
ISO	Nastavení hodnoty ISO. Nastavená hodnota ISO určí citlivost na světlo. Čím vyšší hodnota, tím světlejší snímek.
Označení času	Zapíná/vypíná vložení data a času do pořízené fotografie.
Foto interval v režimu Auto	Nastavení intervalu, po kterém bude kamera automaticky pořizovat snímky po stisknutí tlačítka REC. Nastavení intervalu, po kterém bude kamera automaticky pořizovat snímky po stisknutí tlačítka REC.
Sériové foto	Nastavení počtu fotografií, které kamera pořídí za 1 sekundu.
Odpočet v režimu Samospoušť	Nastavení časového intervalu pro samospoušť.

7. NASTAVENÍ KAMERY



Otočení obrazu	Umožní otočení obrazu, pokud natáčíte vzhůru nohama.
Wi-Fi	Zapíná/vypíná Wi-Fi.
Wi-Fi Informace	Zobrazení názvu a hesla Wi-Fi sítě.
Reset Wi-Fi	Umožní reset nastavení Wi-Fi sítě.
Frekvence sítě	Umožňuje vybrat frekvenci v souladu s frekvencí rozvodné sítě (na Evropském kontinentu je vedený v síti proud s frekvencí 50 Hz, v Americe a části Asie je to potom 60 Hz).

LED indikátor	Zapnutí/vypnutí LED indikátoru.
Spořič obrazovky	Nastavuje čas, po kterém se automaticky vypne displej, aby šetřil baterii. Dotykem na displej nebo stisknutím tlačítek displej znovu aktivujete.
Automatické vypnutí	Nastavení automatického vypnutí kamery v době nečinnosti. Zapnutí funkce vypne kameru v případě, že nenahrává video.
Zvuk tlačítek	Zapnutí/vypnutí systémových zvuků kamery a jejich hlasitost.
Jazyk	Výběr jazyka.
Formát času	Umožní vybrat formát času.
Nastavení času	Nastavení systémového času v kameře.
Nastavení data	Nastavení systémového data v kameře.
Formátování karty	Vymazání veškerých dat na paměťové kartě.
Info o zařízení	Zobrazí informace o modelu kamery a firmwaru.
Tovární nastavení	Umožní uvést kameru do továrního nastavení.

8. WIFI – MOBILNÍ APLIKACE



Díky mobilní aplikaci budete moci měnit režimy a nastavení kamery nebo prohlížet a stahovat natočená videa a fotografie přímo do vašeho mobilního zařízení.

- A** Načtete QR kód pro stažení aplikace nebo kliknete na následující odkaz:
<https://www.lamax-electronics.com/w71/app>
- B** Nainstalujte aplikaci do vašeho mobilního zařízení.
- C** WiFi v nastavení kamery dotykem na ikonku  nebo potažením prstem ze shora dolů, kde kliknete na ikonku Wi-Fi .
- D** Na vašem mobilním zařízení se připojte na WiFi síť s názvem kamery. Heslo na WiFi je zobrazené na displeji kamery (z výroby 1234567890).

9. VODOTĚSNOST

Odolnost proti ponoření do vody je splněna za těchto podmínek:

AKČNÍ KAMERA:

Kamera bez pouzdra odolá ponoření do hloubky 12 metrů. Před ponořením se ujistěte, že máte správně zavřené kryty na boční a spodní straně kamery. Kryty a těsnění musí být zbaveny veškerých nečistot, jako je prach, písek a podobně. Kryty kamery neotvírejte před vyschnutím těla kamery. V případě použití ve slané vodě opláchněte kameru pitnou vodou. K osušení nepoužívejte žádné textilní látky či externí zdroje tepla (fěn, mikrovlnná trouba apod.), kameru vždy nechte pozvolna vyschnout.

VODOTĚSNÉ POUZDRO:

Pouzdro odolá ponoření do hloubky 40 metrů. Před použitím kamery v pouzdru se ujistěte o správném uzavření zadních dvířek pouzdra pomocí mechanismu na horní straně pouzdra. Dvířka a těsnění pouzdra musí být zbaveno veškerých nečistot, jako je prach, písek a podobně. Při použití ve slané vodě opláchněte pouzdro pitnou vodou. K osušení nepoužívejte žádné textilní látky či externí zdroje tepla (fěn, mikrovlnná trouba apod.), pouzdro vždy nechte pozvolna vyschnout. V případě použití vodotěsného pouzdra nelze využít dotykovou plochu displeje kamery a kameru je nutné ovládat pomocí tlačítek.

DÁLKOVÉ OVLÁDÁNÍ:

Dálkové ovládání odolá ponoření do hloubky 2 metrů. Před ponořením se ujistěte, že je správně uzavřený kryt USB na spodní straně ovládání. Kryt neotvírejte před vyschnutím těla dálkového ovládání. K osušení nepoužívejte externí zdroje tepla (fěn, mikrovlnná trouba apod.), dálkové ovládání nechte pozvolna vyschnout nebo pro usušení použijte jemnou textilní látku.

10. BEZPEČNOSTNÍ OPATŘENÍ

Před prvním použitím je spotřebitel povinen se seznámit se zásadami bezpečného používání výrobku.

ZÁSADY A UPOZORNĚNÍ

- Pro zajištění vlastní bezpečnosti nepoužívejte ovládací prvky tohoto přístroje při řízení.
- Při používání rekordéru v autě je nezbytný okenní držák. Rekordér umístěte na vhodné místo tak, aby nebránil ve výhledu řidiče ani v aktivaci bezpečnostních prvků (např. airbagů).
- Objektiv kamery nesmí být nižším blokován a v blízkosti objektivu se nesmí nacházet žádný reflexní materiál. Uchovávejte objektiv čistý.
- Pokud je čelní sklo automobilu zabarveno reflexní vrstvou, může to omezovat kvalitu záznamu.

BEZPEČNOSTNÍ ZÁSADY

- Nepoužívejte nabíječku ve vysoce vlhkém prostředí. Nikdy se nabíječky nedotýkejte mokřýma rukama nebo stojíte-li ve vodě.
- Při napájení přístroje nebo nabíjení baterie ponechte kolem nabíječky dostatečný prostor pro cirkulaci vzduchu. Nepřikrývejte nabíječku papíry ani jinými předměty, které by mohly zhoršit její chlazení. Nepoužívejte nabíječku uloženou v transportním obalu.
- Nabíječku připojte ke správnému zdroji napětí. Údaje o napětí jsou uvedeny na plášti výrobku anebo na jeho obalu.
- Nepoužívejte nabíječku, je-li zjevně poškozena. V případě poškození zařízení sami neopravujte!
- V případě nadměrného zahřívání přístroj okamžitě odpojte od přívodu energie.
- Nabíjejte zařízení pod dohledem.
- Balení obsahuje malé dílky, které mohou být nebezpečné pro děti. Produkt vždy ukládejte mimo dosah dětí. Sáčky nebo mnoho dílků, které obsahují, mohou po spolknutí nebo po nasazení na hlavu způsobit udušení.


BEZPEČNOSTNÍ UPOZORNĚNÍ PRO LI-ION BATERIE

- Před prvním použitím baterii plně nabijte.
- Pro nabíjení používejte jen nabíječku, která je pro tento typ baterie určena.
- Používejte standardní kabely pro nabíjení, jinak by mohlo dojít k poškození zařízení.
- V žádném případě nepřipojujte k nabíječce mechanicky poškozené nebo nafouklé baterie. Baterie v takovém stavu již vůbec nepoužívejte, hrozí nebezpečí výbuchu.
- Nepoužívejte jakkoliv poškozený síťový adaptér nebo nabíječku.
- Nabíjení provádějte za pokojové teploty, nikdy nenabíjejte při teplotě nižší než 0 °C nebo při teplotě vyšší než 40 °C.
- Dejte pozor na pády, baterii nepropírávejte ani jinak nepoškozujte. Poškozenou baterii rozhodně neopravujte.
- Nevystavujte nabíječku ani baterii působení vlhkosti, vody, dešti, sněhu nebo různým nástřikům.
- Baterii nenechávejte ve vozidle, nevystavujte slunečnímu záření a nedávejte poblíž zdrojů tepla. Silné světlo či vysoké teploty mohou baterii poškodit.
- Během nabíjení neponechávejte akumulátory nikdy bez dohledu, zkrat nebo náhodné přebití (akumulátoru nevhodného pro rychlonabíjení nebo nabíjeného nadměrným proudem či při poruše nabíječky) může způsobit únik agresivních chemikálií, explozi nebo následný požár! V případě, že při nabíjení baterie dochází k jejímu nadměrnému ohřívání, tak baterii okamžitě odpojte.
- Nabíječku a nabíjený akumulátor neumísťujte při nabíjení na nebo do blízkosti hořlavých předmětů. Pozor na záclony, koberce, ubrusy atd.
- Jakmile je dobíjené zařízení plně dobito, odpojte jej z důvodu bezpečnosti.
- Udržujte baterii mimo dosah dětí i zvířat.
- Nabíječku ani baterii nikdy nerozebírejte.
- Pokud je baterie integrovaná, nikdy nerozebírejte zařízení, pokud není stanoveno jinak. Jakýkoliv takový pokus je riskantní a může mít za následek poškození produktu a následnou ztrátu záruky.
- Nevyhazujte opotřebované nebo poškozené baterie do odpadkového koše, ohně či do topných zařízení, ale odevzdejte je ve sběrnách nebezpečného odpadu.

ÚDRŽBA PŘÍSTROJE

- Dobrá údržba tohoto přístroje zajistí bezproblémový provoz a omezí nebezpečí poškození.
- Uchovávejte přístroj mimo extrémní vlhkost a teploty a nevystavujte přístroj dlouhodobě přímému slunečnímu nebo ultrafialovému záření.
- Zabraňte pádu přístroje ani jej nevystavujte silným nárazům.
- Nevystavujte přístroj náhlým a prudkým změnám teplot. Mohlo by to způsobit kondenzování vlhkosti uvnitř zařízení, což by mohlo přístroj poškodit. V případě, kdy dojde ke kondenzaci vlhkosti, před dalším používáním nechte přístroj dokonale vyschnout.
- Povrch displeje se může snadno poškrábat. Nedotýkejte se jej ostrými předměty.
- Zásadně nečistěte přístroj, když je zapnutý. K čištění displeje a vnějšího povrchu přístroje použijte měkký netřepivý hadřík. Nečistěte displej papírovými utěrkami.
- Zásadně se nepokoušejte přístroj rozebrat, opravovat nebo jakkoli upravovat. V případě demontáže, úprav nebo jakéhokoliv pokusu o opravu dochází k propadnutí záruky a může dojít k poškození přístroje či dokonce ke zranění nebo škodám na majetku.
- Neskladujte ani nepřevázejte hořlavé kapaliny, plyny nebo výbušné materiály pohromadě s přístrojem, jeho částmi nebo doplňky.
- Aby se zabránilo krádeži, nenechávejte přístroj a příslušenství na viditelném místě ve vozidle bez dozoru.
- Přehřátí může přístroj poškodit.
- Při styku se silně chlorovanou nebo mořskou vodou kameru opláchněte v pitné vodě a osušte jí.
- Na vysušení kamery nepoužívejte externí zdroj tepla jako například mikrovlnou troubu nebo sušák na vlasy.
- Před plaváním nebo potápěním vždy zkontrolujte, jestli nejsou pootvěřena dvířka baterie nebo dvířka k napájecím portům. Pokud ano, zavřete je. Jinak kamera nebude vykazovat vodotěsnost.
- Dotykový displej utírejte jen utěrkou, která je k tomu určená a vyhněte se tak jeho poškrábání.

DALŠÍ INFORMACE

1) Pro domácnosti: Uvedený symbol  na výrobku nebo v průvodní dokumentaci znamená, že použité elektrické nebo elektronické výrobky nesmí být likvidovány společně s komunálním odpadem. Za účelem správné likvidace výrobku jej odevzdejte na určených sběrných místech, kde budou přijata zdarma. Správnou likvidací tohoto produktu pomůžete zachovat cenné přírodní zdroje a napomáháte prevenci potenciálních negativních dopadů na životní prostředí a lidské zdraví, což by mohly být důsledky nesprávné likvidace odpadů. Další podrobnosti si vyžádejte od místního úřadu nebo nejbližšího sběrného místa. Při nesprávné likvidaci tohoto druhu odpadu mohou být v souladu s národními předpisy uděleny pokuty. Informace pro uživatele k likvidaci elektrických a elektronických zařízení (firemní a podnikové použití): Pro správnou likvidaci elektrických a elektronických zařízení si vyžádejte podrobné informace u Vašeho prodejce nebo dodavatele. Informace pro uživatele k likvidaci elektrických a elektronických zařízení v ostatních zemích mimo Evropskou unii: Výše uvedený symbol (přeškrtnutý koš) je platný pouze v zemích Evropské unie. Pro správnou likvidaci elektrických a elektronických zařízení si vyžádejte podrobné informace u Vašich úřadů nebo prodejce zařízení. Vše vyjadřuje symbol přeškrtnutého kontejneru na výrobku, obalu nebo tištěných materiálech.

2) Záruční opravy zařízení uplatňujte u svého prodejce. V případě technických problémů a dotazů kontaktujte svého prodejce, který Vás bude informovat o dalším postupu. Dodržujte pravidla pro práci s elektrickými zařízeními. Uživatel není oprávněn rozebírat zařízení ani vyměňovat žádnou jeho součást. Při otevření nebo odstranění krytů hrozí riziko úrazu elektrickým proudem. Při nesprávném sestavení zařízení a jeho opětovném zapojení se rovněž vystavujete riziku úrazu elektrickým proudem.

Záruční lhůta je na produkty 24 měsíců, pokud není stanovena jinak. Záruka se nevztahuje na poškození způsobené nestandardním používáním, mechanickým poškozením, vystavením agresivním podmínkám, zacházením v rozporu s manuálem a běžným opotřebením. Záruční doba na baterii je 24 měsíců, na její kapacitu 6 měsíců. Výrobce, dovozce ani distributor nenesou žádnou odpovědnost za jakékoli škody způsobené montáží nebo nesprávným užíváním produktu.

PROHLÁŠENÍ O SHODĚ:

Společnost elem6 s.r.o. tímto prohlašuje, že všechna zařízení LAMAX jsou ve shodě se základními požadavky a dalšími příslušnými ustanoveními směrnice 2014/30/EU a 2014/53/EU. Produkty jsou určeny pro prodej bez omezení v Německu, České republice, Slovensku, Polsku, Maďarsku a v dalších členských zemích EU. Záruční lhůta je na produkty 24 měsíců, pokud není stanovena jinak. Prohlášení o shodě lze stáhnout z webu www.lamax-electronics.com/support/doc.

- › Kmitočtové pásmo, v němž rádiové zařízení pracuje: 2.412 – 2.472 GHz
- › Maximální radiofrekvenční výkon vysílaný v kmitočtovém pásmu, v němž je rádiové zařízení provozováno: 12.51 dBm

VÝROBCE:

elem6 s.r.o., Braškovská 308/158, 161 00 Praha 6
<https://www.lamax-electronics.com>



Tiskové chyby a změny v manuálu jsou vyhrazeny.

LAMAX

ELECTRONICS

LAMAX W7.1

ACTION CAMERA

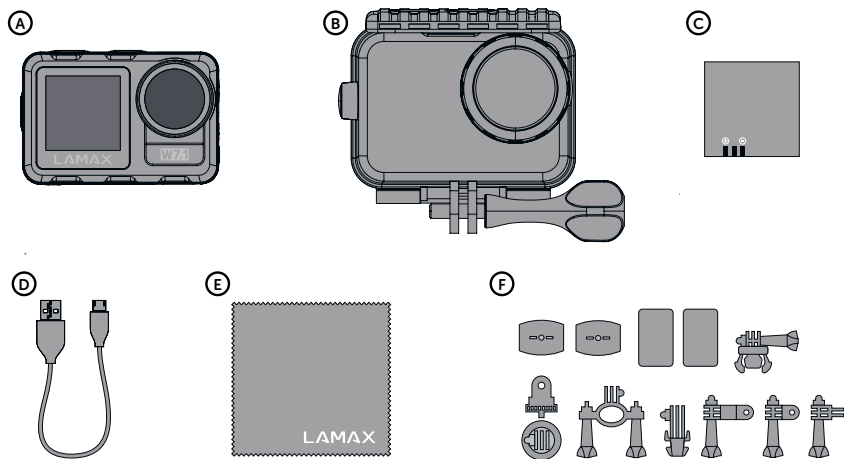


SK – Používateľská príručka

OBSAH

1. OBSAH BALENIA.....	2
2. ZOZNÁMENIE SA S KAMEROU.....	3
3. OVLÁDANIE KAMERY.....	4
4. PRVÉ ZAPNUTIE.....	4
5. NASTAVENIE V REŽIME VIDEO.....	5
6. NASTAVENIE V REŽIMU FOTOGRAFIE.....	6
7. NASTAVENIA KAMERY.....	6
8. WIFI – MOBILNÁ APLIKÁCIA.....	7
9. VODOTESNOSŤ.....	8
10. BEZPEČNOSTNÉ OPATRENIA.....	8

1. OBSAH BALENIA



A Akčná kamera LAMAX W7.1

B Vodotesný obal do 40 m

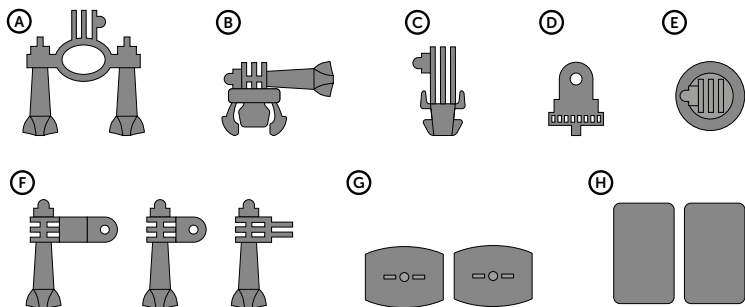
C Li-ion batéria

D Micro USB kábel pre nabíjanie/prenos súborov

E Handrička z mikrovlákná

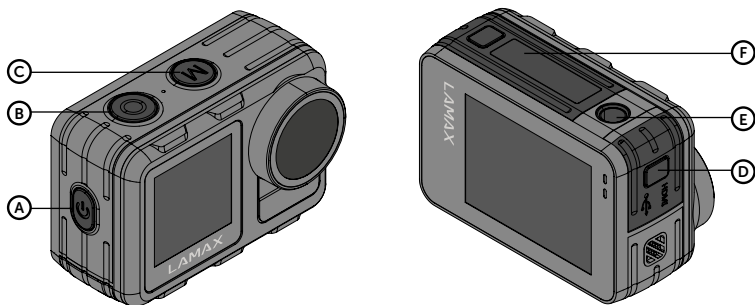
F Úchyty

ÚCHYTY



- A** Držiak na tyč – pre upevnenie napríklad na riadidlá
- B** Fast plug-in – pre rýchle zacvaknutie držiaku
- C** J mount – pre rýchle zacvaknutie s vyvýšením
- D** Redukcia na statív – pre pripojenie kamery bez puzdra na príslušenstvo
- E** Adaptér na statív – pre pripojenie kamery v puzdre na statív
- F** 3-axis connector (3 časti) – pre upevnenie ľubovoľným smerom
- G** Samolepiaci držiak (2x) – pre uchytienie na hladký povrch (helma, kapota)
- H** Náhradní 3M podložky (2x) – pre opätovné nalepenie samolepiaceho držiaku






2. ZOZNÁMENIE SA S KAMEROU



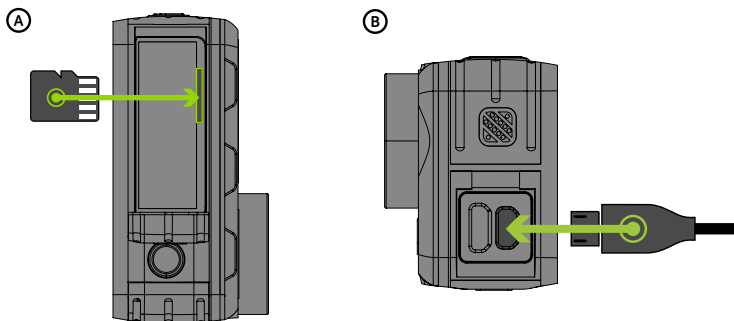
- A** Tlačidlo POWER
- B** Tlačidlo REC
- C** Tlačidlo MODE
- D** Dvierka ku konektorom micro USB a micro HDMI
- E** Dvierka k batérii a slotu na micro SD kartu
- F** Závit pre upevnenie kamery na statív alebo selfie tyč

Poznámka: Používajte len doporučené príslušenstvo, v opačnom prípade môže dôjsť k poškodeniu kamery.

3. OVLÁDANIE KAMERY

Zapnutie a vypnutie	Podržaním tlačidla POWER alebo potiahnutím palca smerom dole a následné stlačenie ikony POWER
Spustenie / ukončenie záznamu a zhotovenie fotografie	Stlačením tlačidla REC
Rýchla zmena režimu foto/video	Potiahnutím palca do strany alebo tlačidlom MODE
Zvolenie režimu	Dotykom na ikonku  alebo potiahnutím palca smerom nahor, kde následne zvolíte požadovaný režim
Nastavenia	Dotykom na ikonku 
Prehliadanie súborov	Dotykom na ikonku 
Prepínanie medzi displejmi	Podržanie tlačidla MODE
Zapnutie/vypnutie WiFi	WiFi v nastaveniach kamery dotykom na ikonku  alebo potiahnutím prsta z hora dole, kde kliknete na ikonku Wi-Fi 

4. PRVÉ ZAPNUTIE



Ⓐ VLOŽTE MICROSD KARTU DO KAMERY PODĽA OBRÁZKU (KONEKTORY SMEROM K OBJEKTÍVU)

- Kartu vkladajte len, keď je kamera vypnutá a nie je pripojená k počítaču.
- Kartu pri prvom použití sformátujte priamo v kamere.
- Odporúčame pamäťové karty s vyššou zapisovacou rýchlosťou (UHS Speed Class –U3 a vyššie) a maximálnou kapacitou 128 GB.

Poznámka: Používajte len Micro SDHC či SDXC karty od renomovaných výrobcov. Karty neznámych výrobcov nezaručujú správne fungovanie dátového úložiska.

Ⓑ PRIPOJTE KAMERU K NAPÁJANIU

- Kameru môžete nabíjať ako pripojením k počítaču, tak pomocou dokúpiteľného sieťového adaptéru.
- Nabitie batérie z 0 na 100 % trvá približne 4,5 hod. Po nabití zhasne indikátor nabíjania.

Poznámka: Nabitie batérie z 0 na 80 % trvá 2,5 hod.

5. NASTAVENIE V REŽIME VIDEO

Rozlíšení videa	Nastavenie rozlíšenia a FPS (snímok za sekundu) v ktorom kamera bude nahrávať.
MAXsmooth	zapnutie/vypnutie MAXsmooth stabilizácie, ktorá je dostupná vo všetkých rozlíšeníach pri maximálne 60 fps. Pri zapnutej stabilizácii je uhol záberu (FOV) menší a takisto môže pri horších svetelných podmienkach negatívne ovplyvniť kvalitu videa. Nemožno kombinovať s funkciou korekcie rybieho oka.
LDC	Zapína/vypína redukciu rybieho oka za pomoci zmenšenia uhlu záberu. Nie je možné kombinovať s funkciou so stabilizáciou obrazu.
Vyváženie bielej	Nastavenie vyváženia bielej farby pre rôzne spôsoby osvetlenia scény.
Expozícia	Nastavenia kompenzácie expozície. Vyššia hodnota znamená svetlejšie video, nižšia hodnota tmavšie video.
Metering	Nastavenie spôsobu merania expozície. <ul style="list-style-type: none">› Priemer – V tomto nastavení kamera získa informácie o svetle z celej scény a nastaví priemerné hodnoty.› Stred – Toto nastavení je vhodné pre natáčanie objektov, ktoré sa budú prevažne nachádzať uprostred záberu.› Jeden bod – Toto nastavenie umožní zmerať malú časť scény, východzia hodnota nastavenia je stred. Užívateľ pomocou dotykovej obrazovky môže zvoliť iný bod, z ktorého kamera určí expozíciu.› Matrix – V tomto nastavení kamera zameria intenzitu svetla z niekoľkých bodov scény a potom skombinuje výsledky pre nájdenie čo najlepšieho nastavenia expozície.
Ostrosť	Nastavenia ostrosti videa.
Kvalita videa	Nastavenie požadovanej kvality videa
ISO	Nastavenie hodnoty ISO . Nastavená hodnota ISO určí citlivosť na svetlo. Čím vyššia hodnota, tým svetlejšia snímka.
Dátum vo videu	Zapína/vypína vloženie dát a času do nahrávaného videa.
Nahrávanie zvuku	Nastavenie, či má kamera nahrávať zvuk.
Spomalené video	V závislosti od rozlíšenia môže byť video spomalené 2x až 8x
Dĺžka videa v móde Cyklické nahrávanie	Nastavenie rozdelenie videa do časových segmentov podľa výberu nastavenia.
Interval nahrávania v móde Časozber	Nastavenie časového intervalu v ktorom bude kamera zhotovovať snímky.
Dĺžka videa v móde Časozber	Nastavenie trvania časozberného videa. Po uplynutí nastaveného času se nahrávanie ukončí.

6. NASTAVENIE V REŽIMU FOTOGRAFIE

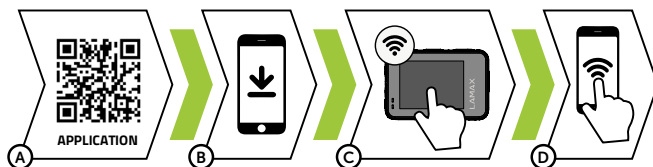
Rozlíšenie foto	Nastavenie rozlíšenia zhotovovaných fotografií.
Vyváženie bielej	Nastavenie vyváženia bielej farby pre rôzne spôsoby osvetlenia scény.
Expozícia	Nastavenie kompenzácie expozície. Vyššia hodnota znamená svetlejšiu fotografiu, nižšia hodnota tmavšiu fotografiu.
Metering	Nastavenie spôsobu merania expozície. <ul style="list-style-type: none">➤ Priemer – V tomto nastavení kamera získá informácie o svetle z celej scény a nastaví priemerné hodnoty.➤ Stred – Toto nastavení je vhodné pre natáčanie objektov, ktoré sa budú prevažne nachádzať uprostred záberu.➤ Jeden bod – Toto nastavenie umožní zmerať malú časť scény, východzia hodnota nastavenia je stred. Užívateľ pomocou dotykovej obrazovky môže zvoliť iný bod, z ktorého kamera určí expozíciu.➤ Matrix – V tomto nastavení kamera zameria intenzitu svetla z niekoľkých bodov scény a potom skombinuje výsledky pre nájdenie čo najlepšieho nastavenia expozície.
Ostrosť	Nastavenia ostrosti videa.
Dlhá expozícia	Nastavenie doby expozície. V tomto nastavení kamera nechá uzávierku otvorenú na dlhšiu dobu, než obvykle. Pre najlepšie výsledky odporúčame použiť statív a nehýbať s kamerou.
ISO	Nastavenie hodnoty ISO. Nastavená hodnota ISO určí citlivosť na svetlo. Čím vyššia hodnota, tým svetlejšia snímka.
Dátum na fotke	Zapína/vypína vloženie dát a času do zhotovenej fotografie.
Foto interval v režime Auto	Nastavenie intervalu, po ktorom bude kamera automaticky zhotovovať snímky po stlačení tlačidla REC.
Sériové foto	Nastavenie počtu fotografií, ktoré kamera zhotoví za 1 sekundu.
Odpočet v režime Samospúšť	Nastavenie časového intervalu pre samospúšť.

7. NASTAVENIA KAMERY



Otočenie obrazu	Umožní otočenie obrazu, pokiaľ natáčate hore nohami.
Wi-Fi	Zapnutie/vypnutie Wi-Fi.
Informácie o Wi-Fi	Zobrazenie názvu a hesla siete Wi-Fi.
Resetovanie Wi-Fi	Obnovte nastavenia siete Wi-Fi.
Frekvencia siete	Umožňuje vybrať frekvenciu v súlade s frekvenciou rozvodnej siete (na Európskom kontinente je vedený v sieti prúd s frekvenciou 50 Hz, v Amerike a časti Ázie je to potom 60 Hz).
LED indikátor	Zapnutie/vypnutie LED indikátora.
Šetrič obrazovky	Nastavuje čas, po ktorom sa automaticky vypne displej, aby šetрил batériu. Dotyk na displej alebo stlačením tlačidiel displej znovu aktivujete.

Automatické vypnutie	Nastavenie automatického vypnutia kamery v dobe nečinnosti. Zapnutá funkcia vypne kameru v prípade, že nenahráva video.
Zvuky	Zapnutie/vypnutie systémových zvukov kamery a ich hlasitosť.
Jazyk	Výber jazyka.
Formát dátumu	Umožňuje vybrať formát dátumu.
Nastavenie času	Nastavenie systémového času vo fotoaparáte.
Nastavenie dátumu	Nastavenie systémového dátumu vo fotoaparáte.
Formátovať	Vymazanie všetkých dát na pamäťovej karte.
Informácie o zariadení	Zobrazí informácie o modeli fotoaparátu a firmvéri.
Továrne nastavenia	Umožňuje obnoviť výrobné nastavenia fotoaparátu.

8. WIFI – MOBILNÁ APLIKÁCIA



Vďaka mobilnej aplikácii budete môcť meniť režimy a nastavenia kamery alebo prehliadač a sťahovať natočené videá a fotografie priamo do vášho mobilného zariadenia.

- A** Načítajte QR kód pre stiahnutie aplikácie alebo kliknite na nasledujúci odkaz:
<https://www.lamax-electronics.com/w71/app>
- B** Nainštalujte aplikáciu do vášho mobilného zariadenia.
- C** WiFi v nastaveniach kamery dotykom na ikonku  alebo potiahnutím prsta z hora dole, kde kliknete na ikonku Wi-Fi .
- D** Na vašom mobilnom zariadení sa pripojte na WiFi sieť s názvom kamery. Heslo na WiFi je zobrazené na displeji kamery (z výroby 1234567890).

9. VODOTESNOSŤ

Odolnosť proti ponoreniu do vody je splnená za týchto podmienok:

AKČNÁ KAMERA:

Kamera bez puzdra odolá ponoreniu do hĺbky 12 metrov. Pred ponorením sa uistite, že máte správne zatvorené kryty na bočnej a spodnej strane kamery. Kryty a tesnenie musia byť zbavené všetkých nečistôt, ako je prach, piesok a podobne. Kryty kamery neotvárajte pred vyschnutím tela kamery. V prípade použitia v slanej vode opláchnite kameru pitnou vodou. Na osušenie nepoužívajte žiadne textilné látky či externé zdroje tepla (fén, mikrovlnná rúra apod.), kameru vždy nechajte pozvoľna vyschnúť.

VODOTESNÉ PUZDRO:

Puzdro odolá ponoreniu do hĺbky 40 metrov. Pred použitím kamery v puzdre sa ubezpečte, či sú správne zatvorené zadné dvierka pomocou mechanizmu na hornej strane puzdra. Dvierka a tesnenie puzdra, musia byť zbavené všetkých nečistôt ako je prach, piesok a podobne. Pri použití v slanej vode opláchnite puzdro pitnou vodou. Na osušenie nepoužívajte žiadne textilné látky, či externé zdroje tepla (fén, mikrovlnná rúra a podobne), puzdro nechajte vždy pozvoľna vyschnúť. V prípade použitia vodotesného puzdra, nie je možné využiť dotykovú plochu displeja kamery a je nutné ovládať kameru pomocou tlačidiel.

DIAĽKOVÉ OVLÁDANIE:

Diaľkové ovládanie odolá ponoreniu do hĺbky 2 metrov. Pred ponorením sa uistite, že je správne uzatvorený kryt USB na spodnej strane ovládania. Kryt neotvárajte skôr, než je telo diaľkového ovládania vysušené. Na osušenie nepoužívajte externé zdroje tepla (fén, mikrovlnná rúra a podobne), diaľkové ovládanie nechajte pozvoľna vyschnúť alebo po usušení použite jemnú textilnú látku.

10. BEZPEČNOSTNÉ OPATRENIA

Pred prvým použitím je spotrebiteľ povinný sa zoznámiť so zásadami bezpečného používania výrobku.

ZÁSADY A UPOZORNENIA

- Pre zaistenie vlastnej bezpečnosti nepoužívajte ovládacie prvky tohto prístroja pri riadenie.
- Pri používaní rekordéra v aute je nutný okenný držiak. Rekordér umiestnite na vhodné miesto tak, aby nebránil vo výhľade vodiča ani v aktivácii bezpečnostných prvkov (napr. airbagov).
- Objektív kamery nesmie byť ničím blokovaný a v blízkosti objektívu sa nesmie nachádzať žiadny reflexný materiál. Uchovávajte objektív čistý.
- Ak je čelné sklo automobilu zafarbené reflexnou vrstvou, môže to obmedzovať kvalitu záznamu.

BEZPEČNOSTNÉ ZÁSADY

- Nepoužívajte nabíjačku vo vysoko vlhkom prostredí. Nikdy sa nabíjačky nedotýkajte mokrymi rukami alebo ak stojíte vo vode.
- Pri napájaní prístroja alebo nabíjaní batérie ponechajte v okolí nabíjačky dostatočný priestor pre cirkuláciu vzduchu. Neprikrývajte nabíjačku papiermi ani inými predmetmi, ktoré by mohli zhoršiť jej chladenie. Nepoužívajte nabíjačku uloženú v transportnom obale.
- Nabíjačku pripojte ku správnejmu zdroju napätia. Údaje o napätí sú uvedené na plášti výrobku alebo na jeho obale.
- Nepoužívajte nabíjačku, ak je zjavne poškodená. V prípade poškodenia zariadenia ju sami neopravujte!
- V prípade nadmerného zahrievania prístroja ho okamžite odpojte od prívodu energie.
- Nabíjajte zariadenie pod dohľadom.
- Balenie obsahuje malé časti, ktoré môžu byť nebezpečné pre deti. Produkt vždy odkladajte mimo dosahu detí. Vrecká alebo časti, ktoré obsahujú, môžu po prehltnutí alebo nasadení na hlavu spôsobiť udusenie.


BEZPEČNOSTNÉ UPOZORNENIE PRE LI-ION BATÉRIE

- Pred prvým použitím batériu plne nabite.
- Na nabíjanie používajte len nabíjačku, ktorá je pre tento typ batérie určená.
- Používajte štandardné káble pre nabíjanie, inak by mohlo dôjsť k poškodeniu zariadenia.
- V žiadnom prípade nepripájajte k nabíjačke mechanicky poškodené alebo nafúknuté batérie. Batérie v takom stave už vôbec nepoužívajte, hrozí nebezpečenstvo výbuchu.
- Nepoužívajte akokoľvek poškodený sieťový adaptér alebo nabíjačku.
- Nabíjajte v izbovej teplote, nikdy nenabíjajte pri teplote nižšej ako 0 °C alebo pri teplote vyššej ako 40 °C.
- Dajte pozor na pády, batériu neprederavte ani inak nepoškodujte. Poškodenú batériu rozhodne neopravujte.
- Nevystavujte nabíjačku ani batériu pôsobeniu vlhkosti, vody, dažďa, snehu alebo rôznym nástrekom.
- Batériu nenechávajte vo vozidle, nevystavujte slnečnému žiareniu a nedávajte do blízkosti zdroju tepla. Silné svetlo či vysoké teploty môžu batériu poškodiť.
- Počas nabíjania nenechávajte akumulátory nikdy bez dohľadu, skrat alebo náhodné prebitie (akumulátora nevhodného pre rýchlonabíjanie alebo nabíjaného nadmerným prúdom či pri poruche nabíjačky) môže spôsobiť únik agresívnych chemikálií, explóziu alebo požiar!
- V prípade, že pri nabíjaní batérie dochádza k jej nadmernému ohrievaniu, batériu okamžite odpojte.
- Nabíjačku a nabíjaný akumulátor neumiestňujte pri nabíjaní na horľavé predmety alebo do ich blízkosti. Pozor na záclony, koberce, obrusy a podobne.
- Hneď ako je dobíjané zariadenie plne dobité, odpojte ho z dôvodu bezpečnosti.
- Udržujte batériu mimo dosah detí a zvierat.
- Nabíjačku ani batériu nikdy nerozoberajte.
- Ak je batéria integrovaná, nikdy nerozoberajte zariadenie, pokiaľ nie je stanovené inak. Akýkoľvek takýto pokus je riskantný a môže mať za následok poškodenie produktu a stratu záruky.
- Nevyhadzujte opotrebované alebo poškodené batérie do odpadkového koša, ohňa či do vykurovacích zariadení, ale odovzdajte ich v zberniciach nebezpečného odpadu.

ÚDRŽBA PRÍSTROJA

- Dobrá údržba tohto prístroja zaistí bezproblémový chod a obmedzí nebezpečenstvo poškodenia.
- Uchovávajte prístroj mimo extrémnu vlhkosť a teploty a nevystavujte prístroj dlhodobo priamemu slnečnému alebo ultrafialovému žiareniu.
- Zabráňte pádu prístroja, nevystavujte ho silným nárazom.
- Nevystavujte prístroj náhlym a prudkým zmenám teplôt. Mohlo by to spôsobiť kondenzovanie vlhkosti vnútri zariadenia, čo by mohlo prístroj poškodiť. V prípade, kedy dôjde ku kondenzácii vlhkosti, nechajte prístroj pred ďalším používaním dokonale vyschnúť.
- Zásadne nečistite prístroj, keď je zapnutý. K čisteniu prístroja používajte mäkkú handričku.
- Zásadne sa nepokúšajte prístroj rozobrať, opravovať alebo akokoľvek upravovať. V prípade demontáže, úprav alebo akéhokoľvek pokusu o opravu dochádza ku prepadnutiu záruky a môže dôjsť ku poškodeniu prístroja alebo dokonca ku zraneniu alebo škodám na majetku.
- Neskladujte ani neprevádzajte horľavé kvapaliny, plyny alebo výbušné materiály spolu s prístrojom, jeho časťami alebo doplnkami.
- Aby sa zabránilo krádeži, nenechávajte prístroj a príslušenstvo na viditeľnom mieste vo vozidle bez dozoru.
- Prehriatie môže prístroj poškodiť.
- Pri styku so silne chlôvanou alebo morskou vodou kameru opláchnite v pitnej vode a osušte ju.
- Na vysušenie kamery nepoužívajte externý zdroj tepla ako napríklad mikrovlnka alebo sušiaci na vlasy.
- Pred plávaním alebo potápaním vždy skontrolujte či nie sú pootvorené dvierka batérie alebo dvierka k napájacím portom. Ak áno zatvorte ich, inak kamera nebude vykazovať vodotesnosť
- Dotýkový displej utierajte len utierkou ktorá je k tomu určená a vyhňte sa tak jeho poškriabaniu.

ĎALŠIE INFORMÁCIE

1) Pre domácnosti: Uvedený symbol () na výrobku alebo v sprievodnej dokumentácii znamená, že použité elektrické alebo elektronické výrobky nesmú byť likvidované spoločne s komunálnym odpadom. Za účelom správnej likvidácie výrobku ho odovzdajte na určených zberných miestach, kde budú prijaté zdarma. Správnu likvidáciu tohto produktu pomôžete zachovať cenné prírodné zdroje a napomáhate prevencii potenciálnych negatívnych dopadov na životné prostredie a ľudské zdravie, čo by mohli byť dôsledky nesprávnej likvidácie odpadov. Ďalšie podrobnosti si vyžadajte od miestneho úradu alebo najbližšieho zberného miesta. Pri nesprávnej likvidácii tohto druhu odpadu môžu byť v súlade s národnými predpismi udelené pokuty. Informácie pre užívateľov k likvidácii elektrických a elektronických zariadení (firemné o podnikové použitie): Pre správnu likvidáciu elektrických a elektronických zariadení si vyžadajte podrobné informácie u vášho predajcu alebo dodávateľa. Informácie pre užívateľov k likvidácii elektrických a elektronických zariadení v ostatných krajinách mimo Európskej únie: Vyššie uvedený symbol (preškrtnutý kôš) je platný len v krajinách Európskej únie. Pre správnu likvidáciu elektrických a elektronických zariadení si vyžadajte podrobné informácie u vašich úradov alebo u predajca zariadenia. Všetko vyjadruje symbol preškrtnutého kontajnera na výrobku, obalu alebo tlačených materiáloch.

2) Záručné opravy zariadenia uplatňujte u svojho predajca. V prípade technických problémov a otázok kontaktujte svojho predajcu, ktorý Vás bude informovať o ďalšom postupe. Dodržujte pravidlá pre prácu s elektrickými zariadeniami. Užívateľ nie je oprávnený rozoberať zariadenie ani vymieňať žiadnu jeho súčasť. Otváranie alebo odstránenie krytov hrozí riziko úrazov elektrickým prúdom. Pri nesprávnom zostavení zariadenie jeho opätovnom zapojení sa tiež vystavujete riziku úrazov elektrickým prúdom.

Záručná lehota na výrobky je 24 mesiacov, pokiaľ nie je stanovená inak. Záruka sa nevzťahuje na poškodenie spôsobené neštandardným používaním, mechanickým poškodením, vystavením agresívnym podmienkam, zachádzaním v rozpore s manuálom a bežným opotrebovaním. Záručná doba na batériu je 24 mesiacov, na jej kapacitu 6 mesiacov.

Výrobca, dovozca ani distribútor nenesú žiadnu zodpovednosť za akékoľvek škody spôsobené montážou alebo nesprávnym používaním produktu.

VYHLÁSENIE O ZHODE:

Spoločnosť elem6 s.r.o. týmto prehlasuje, že všetky zariadenia LAMAX sú v zhode so základnými požiadavkami a ďalšími príslušnými ustanoveniami smernice 2014/30/EU a 2014/53/EU. Produkty sú určené na predaj bez obmedzenia v Nemecku, Českej republike, Slovensku, Poľsku, Maďarsku a v ďalších členských krajinách EÚ. Záručná lehota na výrobky je 24 mesiacov, pokiaľ nie je stanovená inak. Vyhlásenie o zhode možno stiahnuť z webu www.lamax-electronics.com/support/doc.

- Frekvenčné pásmo, v ktorom rádiové zariadenie pracuje: 2.412 – 2.472 GHz
- Maximálny rádiový výkon vysielaný vo frekvenčnom pásme, v ktorom je rádiové zariadenie používané: 12.51 dBm

VÝROBCA:

elem6 s.r.o., Braškovská 308/158, 161 00 Praha 6
<https://www.lamax-electronics.com>



Tlačové chyby a zmeny v manuáli sú vyhradené.

LAMAX

ELECTRONICS

LAMAX W7.1

ACTION CAMERA

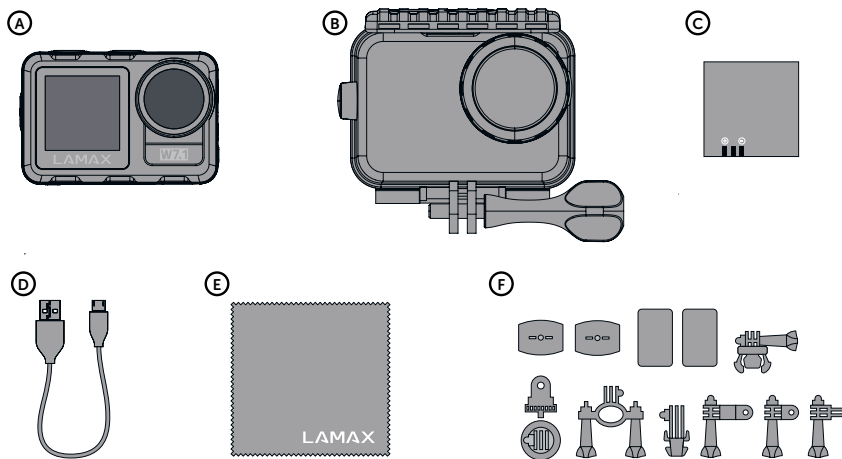


PL – Instrukcja obsługi

SPIS TREŚCI

1. ZAWARTOŚĆ ZESTAWU.....	2
2. ZAPOZNANIE Z KAMERĄ.....	3
3. OBSŁUGA KAMERY	4
4. PIERWSZE WŁĄCZENIE.....	4
5. USTAWIENIE W TRYBIE VIDEO	5
6. USTAWIENIE W TRYBIE ZDJĘCIE	6
7. USTAWIENIE KAMERY	6
8. WIFI – APLIKACJA MOBILNA	7
9. WODOSZCZELNOŚĆ	7
10. ŚRODKI BEZPIECZEŃSTWA.....	8

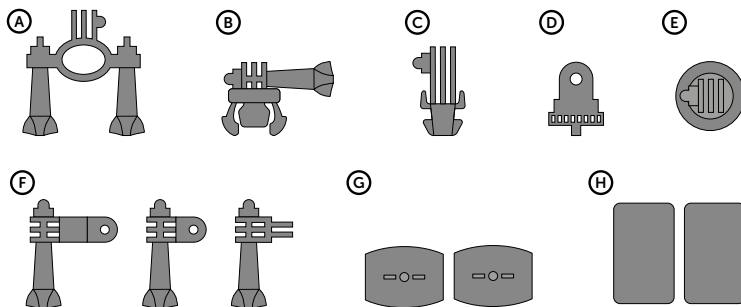
1. ZAWARTOŚĆ ZESTAWU



- A** Kamera sportowa LAMAX W7.1
- B** Futerał wodoszczelny do 40 m
- C** Li-ion baterie

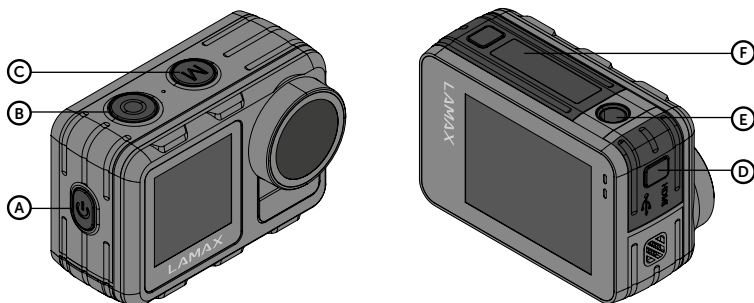
- D** Kabel micro USB do ładowania/transmisji plików
- E** Ściereczka z mikrovlakna
- F** Uchwyty

UCHWYTY



- A Uchwyt do kijka – do przymocowania na przykład do kierownicy
- B Fast plug-in – do szybkiego zatrzaśnięcia uchwytu
- C J mount – do szybkiego zatrzaśnięcia z podwyższeniem
- D Redukcja na statyw – do podłączenia kamery bez futerału na akcesoria
- E Adapter na statyw – do podłączenia kamery w futerale do statywu
- F 3-axis connector (3 części) – do zamocowania w dowolnym kierunku
- G Uchwyt samoprzylepny (2x) – do zamocowania na gładkiej powierzchni (kask, maska)
- H Zapasowe podkładki 3M (2x) – do ponownego przyklejenia uchwytu samoprzylepnego






2. ZAPOZNANIE Z KAMERĄ



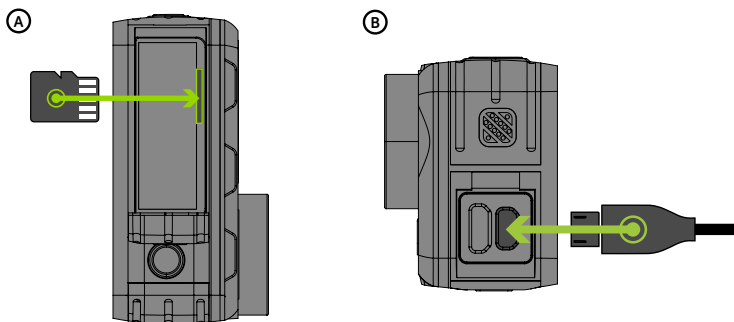
- A Przycisk POWER
- B Przycisk REC
- C Przycisk MODE
- D Pokrywa dostępu do złączy micro USB i micro HDMI
- E Pokrywa baterii i slotu na kartę micro SD
- F Gwint do zamocowania kamery na statywie lub kijku do selfie

Uwaga: Używać tylko zalecanych akcesoriów, w przeciwnym razie kamera może zostać uszkodzona.

3. OBSŁUGA KAMERY

Włączenie i wyłączenie	Przytrzymać przycisk POWER lub przeciągnąć kciukiem w dół, a następnie nacisnąć ikonę POWER
Uruchomienie / zakończenie nagrywania i wykonania zdjęcia	Nacisnąć przycisk REC
Szybka zmiana trybu foto/video	Przeciągnąć kciukiem w bok lub przyciskiem MODE
Wybór trybu	Nacisnąć na ikonę  lub przeciągnąć kciukiem w górę, a następnie wybrać wymagany tryb
Ustawienie	Nacisnąć na ikonę 
Przeglądanie plików	Nacisnąć na ikonę 
Przełączanie pomiędzy wyświetlaczami	Przytrzymać przycisk MODE
Włączenie/wyłączenie WiFi	WiFi w ustawieniach kamery dotykając ikony  lub przesuwając palcem z góry w dół, gdzie klikasz na ikonę Wi-Fi 

4. PIERWSZE WŁĄCZENIE



A) WŁÓŻ KARTĘ MICROSD DO KAMERY ZGODNIE Z RYSUNKIEM (ZŁĄCZA W KIERUNKU OBIEKTYWU)

- Kartę należy wkładać tylko wtedy, gdy kamera jest wyłączona i niepodłączona do komputera.
- Sformatuj kartę bezpośrednio w kamerze przy pierwszym użyciu.
- Zalecamy karty pamięci o większej szybkości zapisu (UHS Speed Class –U3 i wyższe) i maksymalnej pojemności 128 GB.

Uwaga: Używać tylko kart Micro SDHC lub SDXC renomowanych producentów. Karty producentów nieznanego pochodzenia nie gwarantują właściwego działania miejsca zapisu danych.

B) PODŁĄCZ KAMERĘ DO ZASILANIA

- Kamerę można ładować zarówno poprzez podłączenie do komputera, jak i za pomocą opcjonalnego zasilacza sieciowego.
- Ładowanie baterii z 0 na 100% trwa około 4,5 godz. Po naładowaniu zgaśnie wskaźnik ładowania.

Uwaga: Ładowanie baterii z 0 do 80% trwa 2,5 godz.

5. USTAWIENIE W TRYBIE VIDEO

Rozdzielczość wideo	Ustawienie rozdzielczości i FPS (klatki na sekundę), w których kamera będzie nagrywać.
MAXsmooth	Włączenie / wyłączenie stabilizacji MAXsmooth, która jest dostępna we wszystkich rozdzielczościach przy maksymalnie 60 fps. Gdy stabilizacja jest włączona, kąt widzenia (FOV) jest mniejszy i może również niekorzystnie wpływać na jakość wideo w złych warunkach oświetleniowych. Nie można łączyć z funkcją korekcji efektu rybiego oka.
LDC	Włącza/wyłącza redukcję efektu rybiego oka poprzez zmniejszenie kąta widzenia. Nie można łączyć z funkcją stabilizacji obrazu.
Balans bieli	Ustawienie balansu bieli, aby uzyskać różne sposoby oświetlenia sceny.
Ekspozycja	Ustawienie kompensacji ekspozycji. Wyższa wartość oznacza jaśniejszy film, niższa wartość oznacza ciemniejszy film.
Metering	Ustawienie sposobu pomiaru ekspozycji. <ul style="list-style-type: none">➤ Średnia – W tym ustawieniu kamera uzyskuje informacje o oświetleniu z całej sceny i ustawia wartości średnie.➤ Centrum – To ustawienie jest odpowiednie do nagrywania obiektów, które będą znajdować się głównie w środku kadru.➤ Jeden punkt – to ustawienie umożliwia pomiar niewielkiej części sceny, ustawienie domyślne to centrum. Za pomocą ekranu dotykowego użytkownik może wybrać inny punkt, z którego kamera ustala ekspozycję.➤ Matrix – W tym ustawieniu kamera mierzy natężenie światła w kilku punktach sceny, a następnie połączy wyniki, aby znaleźć najlepsze ustawienie ekspozycji.
Ostrość	Ustawienia ostrości wideo.
Jakość wideo	Ustawienie żądanej jakości wideo.
ISO	Ustawienie wartości ISO. Ustawiona wartość ISO określa czułość na światło. Im wyższa wartość, tym bardziej jasne zdjęcie.
Data na nagraniu	Włącza/wyłącza wstawianie daty i godziny do nagranych filmów.
Nagrywanie dźwięku	Ustawienie, czy kamera ma nagrywać dźwięk.
Film w zwolnionym tempie	W zależności od rozdzielczości, wideo może być spowolnione od 2x do 8x.
Długość filmu w trybie Nagrywanie cykliczne	Ustawianie podziału wideo na segmenty czasowe zgodnie z wybranym ustawieniem.
Interwał nagrywania w trybie Poklatkowym	Ustawienie interwału czasowego, w jakim kamera będzie wykonywać zdjęcia.
Długość filmu w trybie Poklatkowym	Ustawienie trwania filmu poklatkowego. Po upływie ustawionego czasu nagrywanie zakończy się.

6. USTAWIENIE W TRYBIE ZDJĘCIE

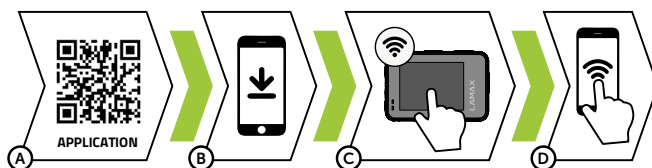
Rozdzielczość zdjęcia	Ustawienie rozdzielczości wykonywanych zdjęć.
Balans bieli	Ustawienie balansu bieli, aby uzyskać różne sposoby oświetlenia sceny.
Ekspozycja	Ustawienie kompensacji ekspozycji. Wyższa wartość oznacza jaśniejsze zdjęcie, niższa wartość ciemniejsze zdjęcie.
Metering	Ustawienie sposobu pomiaru ekspozycji. <ul style="list-style-type: none">➤ Średnia – W tym ustawieniu kamera uzyskuje informacje o oświetleniu z całej sceny i ustawia wartości średnie.➤ Centrum – To ustawienie jest odpowiednie do nagrywania obiektów, które będą znajdować się głównie w środku kadru.➤ Jeden punkt – To ustawienie umożliwia pomiar niewielkiej części sceny, ustawienie domyślne to centrum. Za pomocą ekranu dotykowego użytkownik może wybrać inny punkt, z którego kamera ustala ekspozycję.➤ Matrix – W tym ustawieniu kamera mierzy natężenie światła w kilku punktach sceny, a następnie łączy wyniki, aby znaleźć najlepsze ustawienie ekspozycji.
Ostrość	Ustawienia ostrości wideo.
Długa ekspozycja	Ustawienie okresu ekspozycji. W tym ustawieniu kamera pozostawia migawkę otwartą dłużej niż zwykle. Aby uzyskać jak najlepsze rezultaty, zalecamy używanie statywu i nie ruszanie kamery.
ISO	Ustawienie wartości ISO. Ustawiona wartość ISO określa czułość na światło. Im wyższa wartość, tym bardziej jasne zdjęcie.
Data na zdjęciu	Włącza/wyłącza wstawianie daty i godziny do zrobionego zdjęcia.
Interwał zdjęć w trybie Auto	Ustawienie interwału, po którym kamera będzie automatycznie wykonywać zdjęcia po naciśnięciu przycisku REC.
Zdjęcie seryjne	Ustawienie liczby zdjęć, które kamera wykonuje w ciągu 1 sekundy.
Odliczanie w trybie Samowyzwalacz	Ustawienie interwału czasowego dla samowyzwalacza.

7. USTAWIENIE KAMERY

Obrót obrazu	Umożliwia obrót obrazu, jeżeli nagrywasz do góry nogami.
Wi-Fi	Włączanie/wyłączanie sieci Wi-Fi.
Informacje o Wi-Fi	Wyświetlanie nazwy i hasła sieci Wi-Fi.
Resetuj sieć Wi-Fi	Umożliwia zresetowanie ustawień sieci Wi-Fi.
Częstotliwość sieci	Umożliwia wybór częstotliwości zgodnie z częstotliwością sieci dystrybucyjnej (na kontynencie europejskim w sieci przewodzonej jest prąd o częstotliwości 50 Hz, w Ameryce i części Azji jest to 60 Hz).
Wskaźnik LED	Wskaźnik LED włączony/wyłączony.

Wygaszacz ekranu	Ustawia czas, po którym wyświetlacz wyłączy się automatycznie, aby oszczędzać energię baterii. Dotknij ekranu lub naciśnij przyciski, aby ponownie aktywować ekran.
Automatyczne wyłączenie	Ustawienie automatycznego wyłączenia kamery w stanie bezczynności. Włączona funkcja wyłączy kamerę, gdy nie nagrywa wideo.
Dźwięki	Włączenie/wyłączenie dźwięków systemowych kamery i ich głośności.
Język	Wybór języka.
Format daty	Umożliwia wybór formatu daty.
Ustawienia czasu	Ustawianie czasu systemowego w kamerze.
Ustawienie daty	Ustawianie daty systemowej w aparacie.
Formatowanie	Usuwanie wszystkich danych z karty pamięci.
Informacje o urządzeniu	Wyświetla informacje o modelu kamery i oprogramowaniu sprzętowym.
Ustawienia fabryczne	Umożliwia zresetowanie kamery do ustawień fabrycznych.

8. WIFI – APLIKACJA MOBILNA



Dzięki aplikacji mobilnej będziesz mógł zmieniać tryby i ustawienia kamery lub przeglądać i pobierać nagrane filmy i zdjęcia bezpośrednio na swoje urządzenie mobilne.

- A Wczytaj kod QR, aby pobrać aplikację lub kliknij na poniższy link:
<https://www.lamax-electronics.com/w71/app>
- B Zainstaluj aplikację na swoim urządzeniu mobilnym.
- C WiFi w ustawieniach kamery dotykając ikony lub przesuwając palcem z góry w dół, gdzie klikasz na ikonę Wi-Fi .
- D Na swoim urządzeniu mobilnym połącz się z siecią Wi-Fi z nazwą kamery. Hasło na WiFi wyświetlone jest na wyświetlaczu kamery (fabryczne 1234567890).

9. WODOSZCZELNOŚĆ

Oporność na zanurzenie w wodzie jest zachowana w następujących warunkach:

KAMERA SPORTOWA:

Kamera bez futerału wytrzymałe zanurzenie na głębokość 12 metrów. Przed zanurzeniem upewnij się, że pokrywy z boku i na spodzie kamery są prawidłowo zamknięte. Pokrywy i uszczelki muszą być wolne od wszelkich zanieczyszczeń, takich jak kurz, piasek i tym podobne. Nie otwieraj pokryw kamery, zanim korpus kamery nie wyschnie. W przypadku używania w słonej wodzie opłucz kamerę wodą pitną. Nie używaj do suszenia żadnych tkanin ani zewnętrznych źródeł ciepła (suszarka do włosów, kuchenka mikrofalowa itp.), pozwól kamerze wyschnąć powoli.

FUTERAŁ WODOSZCZELNY:

Futerał wytrzymuje zanurzenie na głębokość 40 metrów. Przed użyciem kamery w futerale należy upewnić się, że tylne pokrywy futerału są prawidłowo zamknięte za pomocą mechanizmu na górze futerału. Pokrywy i uszczelki futerału muszą być wolne od wszelkich zanieczyszczeń, takich jak kurz, piasek itp. W przypadku użycia w słonej wodzie opłucz futerał wodą pitną. Do suszenia nie używaj żadnych tekstyliów ani zewnętrznych źródeł ciepła (suszarka do włosów, kuchenka mikrofalowa, itp.), pozostaw futerał do powolnego wysuszenia. W przypadku zastosowania wodoszczelnego futerału, nie można korzystać z ekranu dotykowego wyświetlacza kamery, a kamerę należy obsługiwać za pomocą przycisków.

PILOT ZDALNEGO STEROWANIA:

Pilot zdalnego sterowania jest odporny na zanurzenie na głębokość 2 metrów. Przed zanurzeniem upewnij się, że pokrywa USB na spodzie pilota zdalnego sterowania jest prawidłowo zamknięta. Nie otwieraj pokrywy, zanim obudowa pilota zdalnego sterowania nie wyschnie. Nie używaj zewnętrznych źródeł ciepła (suszarka do włosów, kuchenka mikrofalowa itp.) do suszenia, pozwól zdalnemu sterowaniu powoli wyschnąć lub użyj miękkiej szmatki do wysuszenia.

10. ŚRODKI BEZPIECZEŃSTWA

Przed pierwszym użyciem, użytkownik zobowiązany jest do zapoznania się z zasadami bezpiecznego korzystania z produktu.

ŚRODKI OSTROŻNOŚCI I UWAGI

- Dla własnego bezpieczeństwa nie zmieniaj ustawień kamery podczas prowadzenia pojazdu.
- Do używania kamery w samochodzie musisz posiadać mocowanie na szybę. Kamerę zamocuj w takim miejscu, aby nie zasłaniała widoku kierowcy ani nie stanowiła przeszkody dla ewentualnego otwarcia poduszek powietrznych.
- Żaden przedmiot nie powinien blokować obiektywu kamery, a w jego pobliżu nie powinny znajdować się materiały odbijające światło. Utrzymuj obiektyw w czystości.
- Przyciemniana przednia szyba samochodu może wpływać na jakość nagrywania.

ŚRODKI OSTROŻNOŚCI DOTYCZĄCE BEZPIECZEŃSTWA

- Nie używaj ładowarki w miejscach o dużej wilgotności. Nie dotykaj ładowarki mokrymi rękami lub kiedy stoisz w wodzie.
- Jeśli używasz ładowarki do zasilania urządzenia lub ładowania baterii, zapewnij odpowiednią wentylację jego otoczenia. Nie przykrywaj ładowarki papierem ani innymi przedmiotami, aby nie ograniczać jego chłodzenia. Nie używaj ładowarki, gdy znajduje się ona w torbie do przenoszenia.
- Ładowarkę podłączaj jedynie do odpowiedniego źródła zasilania. Wymagania dotyczące napięcia znajdują się na obudowie i/lub opakowaniu produktu.
- Nie używaj ładowarki z uszkodzonym przewodem. W przypadku uszkodzenia nie podejmuj się jej samodzielnej naprawy!
- W razie nadmiernego nagrzewania urządzenia, natychmiast odłącz je od zasilania energii.
- Urządzenie należy ładować pod nadzorem.
- Opakowanie zawiera małe elementy, które mogą być niebezpieczne dla dzieci. Zawsze przechowuj produkt w miejscu niedostępnym dla dzieci. Torebki, jak i liczne drobne elementy, które się w nich znajdują, mogą spowodować zadławienie w przypadku ich połknięcia.

ŚRODKI OSTROŻNOŚCI W UŻYTKOWANIU LI-ION BATERII


- Przed pierwszym użytkowaniem w pełni naładuj baterię.
- W celu ładowania korzystaj wyłącznie z ładowarki, która jest przeznaczona do danego typu baterii.
- Wykorzystuj standardowe kable do zasilania. W innym przypadku urządzenie mogłoby ulec uszkodzeniu.
- W żadnym razie nie podłączaj do ładowarki baterii, która została mechanicznie uszkodzona lub posiada zniekształconą (wypukłą) powierzchnię. Baterii w takim stanie nie należy już w ogóle wykorzystywać, ponieważ zagraża niebezpieczeństwem wybuchu.

- Nie korzystaj z jakiegokolwiek uszkodzonego adaptera sieciowego lub ładowarki.
- Ładowanie powinno przebiegać w temperaturze pokojowej. Nigdy nie ładuj przy temperaturze niższej niż 0°C lub wyższej niż 40°C.
- Chroń baterię przed upadkiem, nie przekłuwaj jej ani nie doprowadzaj do jej uszkodzenia w żaden inny sposób. Nie próbuj samodzielnie naprawiać uszkodzonej baterii.
- Nie narażaj ładowarki ani baterii na oddziaływanie wilgoci, wody, deszczu, śniegu czy też innych opadów.
- Nie pozostawiaj baterii w samochodzie, nie wystawiaj jej na światło słoneczne ani nie umieszczaj jej w pobliżu źródeł ciepła. Silne światło czy też wysokie temperatury mogą uszkodzić baterię.
- Podczas ładowania nigdy nie pozostawiaj akumulatorów bez nadzoru. Zwarcie lub nadmierne naładowanie (akumulatora nieodpowiedniego do szybkiego ładowania, ładowanego prądem o nadmiernym nasileniu lub podczas awarii ładowarki) może spowodować wyciek agresywnych substancji chemicznych, eksplozję, a w konsekwencji pożar!
- W sytuacji, kiedy podczas ładowania baterii dojdzie do jej nadmiernego ogrzewania, natychmiast odłącz baterię.
- Ładowarka oraz zasilany akumulator nie umieszczaj podczas ładowania na lub w okolicy przedmiotów łatwopalnych. Uwaga na zasłony, dywany, obrusy itd.
- Jak tylko urządzenie jest w pełni naładowane, odłącz je ze względów bezpieczeństwa.
- Przechowuj baterię poza zasięgiem dzieci i zwierząt.
- Nigdy nie próbuj rozebrać ładowarki ani baterii.
- Jeżeli bateria jest wbudowana, nigdy nie próbuj rozebrać urządzenia, o ile nie zostało ustanowione inaczej. Jakakolwiek próba tego rodzaju wiąże się z ryzykiem uszkodzenia produktu, a w konsekwencji również utratą gwarancji.
- Nie wyrzucaj zużytych lub uszkodzonych baterii do kosza, ognia czy urządzeń grzewczych, ale przekaż ją do punktów zbioru niebezpiecznych odpadów.

KONSERWACJA URZĄDZENIA

- Konserwacja urządzenia zapewni bezproblemowe działanie i zmniejszy niebezpieczeństwo uszkodzenia.
- Chroń urządzenie przed nadmierną wilgocą i ekstremalnymi temperaturami oraz unikaj zbyt długiego wystawiania go na działanie bezpośredniego światła słonecznego lub silnego światła ultrafioletowego.
- Chroń urządzenie przed upuszczeniem lub narażeniem na silne uderzenia.
- Nie wystawiaj urządzenia na działanie nagłych i dużych zmian temperatury. Mogłoby to spowodować nagromadzenie wilgoci wewnątrz urządzenia, a w rezultacie jego uszkodzenie. W przypadku nagromadzenia wilgoci, zaczekaj do całkowitego wyschnięcia urządzenia przed jego użyciem.
- Powierzchnię ekranu łatwo zarysować. Nie dopuszczaj do kontaktu powierzchni ekranu z ostrymi przedmiotami.
- Nigdy nie czyść urządzenia, kiedy jest uruchomione. Do wycierania ekranu i zewnętrznych części urządzenia używaj miękkiej, niepozostawiającej włókien szmatki. Do czyszczenia ekranu nie używaj ręczników papierowych.
- Nie podejmuj prób demontażu, naprawy ani modyfikacji urządzenia. Demontaż, modyfikacje lub próba naprawy mogą spowodować uszkodzenie urządzenia i utratę gwarancji, a nawet obrażenia ciała oraz uszkodzenie własności.
- Nie przechowuj ani nie przenoś łatwopalnych cieczy, gazów lub materiałów wybuchowych w miejscu przechowywania urządzenia, jego części lub akcesoriów.
- Aby nie stwarzać okazji do kradzieży, nie zostawiaj urządzenia ani akcesoriów na widoku w pojeździe pozabawionym nadzoru.
- Przegrzanie może spowodować uszkodzenie urządzenia.
- W przypadku kontaktu z silnie chlorowaną lub morską wodą opłukać kamerę wodą pitną i wysuszyć.
- Do suszenia kamery nie stosować zewnętrznego źródła ciepła, takiego jak kuchenka mikrofalowa lub suszarka do włosów.
- Przed pływaniem lub nurkowaniem zawsze upewnij się, czy nie jest otwarta pokrywa baterii lub pokrywa portów zasilania. Jeżeli tak, zamknąć je. W przeciwnym razie kamera nie będzie wodoszczelna.
- Wyświetlacz dotykowy wycierać tylko szmatką do tego przeznaczoną, aby uniknąć jego podrapania.

POZOSTAŁE INFORMACJE

1) Symbol przekreślonego kontenera () zamieszczony na produkcie lub w dokumentacji towarzyszącej oznacza, że po zakończeniu eksploatacji nie należy pozbywać się urządzenia elektrycznego lub elektronicznego wraz z odpadami komunalnymi. Produkt należy dostarczyć do odpowiedniego punktu zbiórki urządzeń elektrycznych i elektronicznych przeznaczonych do recyklingu w celu jego właściwej utylizacji. W miejscu zbiórki produkt zostanie przyjęty bezpłatnie. Dzięki prawidłowej utylizacji tego produktu pomagasz zachować cenne zasoby naturalne oraz przeciwdziałasz potencjalnemu negatywnemu wpływowi na środowisko oraz ludzkie zdrowie, co może być skutkiem niewłaściwej utylizacji odpadów. Aby uzyskać więcej informacji, prosimy o kontakt z lokalnymi władzami lub w najbliższym punkcie zbiórki. Pozbywanie się odpadów tego rodzaju w nieprawidłowy sposób jest zagrożone karą przewidzianą w odpowiednich przepisach państwowych. Informacja dla użytkowników, dotycząca utylizacji sprzętu elektrycznego i elektronicznego (w przypadku zastosowania w przedsiębiorstwach i firmach): Szczegółowych informacje na temat prawidłowej utylizacji sprzętu elektrycznego i elektronicznego, możesz uzyskać u swojego sprzedawcy lub dostawcy. Informacja dla użytkowników dotycząca utylizacji sprzętu elektrycznego i elektronicznego w państwach spoza Unii Europejskiej: Powyższy symbol (przekreślonego kontenera) obowiązuje wyłącznie w Unii Europejskiej. Szczegółowe informacje na temat prawidłowej utylizacji sprzętu elektrycznego i elektronicznego możesz uzyskać w swoim urzędzie lub u sprzedawcy urządzenia. Wszystko zostało określone za pomocą symbolu przekreślonego kontenera na produkcie, opakowaniu lub w dokumentacji towarzyszącej.

2) Roszczenia gwarancyjne dotyczące urządzeń składaj w miejscu zakupu. W przypadku problemów technicznych lub pytań, skontaktuj się ze sprzedawcą, który poinformuje cię o dalszym postępowaniu. Należy dotrzymywać zasady pracy z urządzeniami elektrycznymi, a zasilający przewód elektryczny podłączać tylko do odpowiednich gniazdek elektrycznych. Użytkownik nie jest upoważniony do demontowania urządzenia ani wymiany jakiegokolwiek jego części. Przy otwarciu lub usunięciu osłon grozi niebezpieczeństwo porażenia prądem elektrycznym. Niewłaściwy montaż urządzenia i jego ponowne połączenie może również spowodować porażenie prądem elektrycznym.

Okres gwarancji na produkt wynosi 24 miesiące, o ile nie ustalono inaczej. Gwarancja nie obejmuje uszkodzeń spowodowanych niestandardowym użytkowaniem, uszkodzeniem mechanicznym, narażeniem na agresywne warunki, postępowaniem w sprzeczności z instrukcją i bieżącym zużyciem. Okres gwarancji baterii wynosi 24 miesiące, jej pojemność 6 miesięcy.

Producent, importer ani dystrybutor nie ponoszą żadnej odpowiedzialności za jakiegokolwiek szkody spowodowane montażem lub nieprawidłowym użytkowaniem produktu.

DEKLARACJA ZGODNOŚCI:

Spółka elem6 s.r.o. niniejszym oświadcza, że wszystkie urządzenia LAMAX są zgodne z podstawowymi wymaganiami i pozostałymi odpowiednimi regulacjami Dyrektywy 2014/30/EU i 2014/53/EU. Produkty są przeznaczone do sprzedaży w Niemczech, Republice Czeskiej, na Słowacji, w Polsce, w Węgrzech oraz w dalszych krajach UE. Okres gwarancyjny na produkty to 24 miesiące, jeżeli nie zostało ustalone inaczej. Deklarację zgodności można pobrać ze strony internetowej: www.lamax-electronics.com/support/doc.

- Pasma częstotliwości w którym urządzenie pracuje: 2.412 – 2.472 GHz
- Maksymalny poziom mocy wysyłany w paśmie częstotliwości, w którym radiowe urządzenie działa: 12.51 dBm

PRODUCENT:

elem6 s.r.o., Braškovská 308/158, 161 00 Praha 6
<https://www.lamax-electronics.com>



Błędy w druku oraz zmiany w instrukcji obsługi zastrzeżone.

LAMAX

ELECTRONICS

LAMAX W7.1

AKCIÓKAMERA

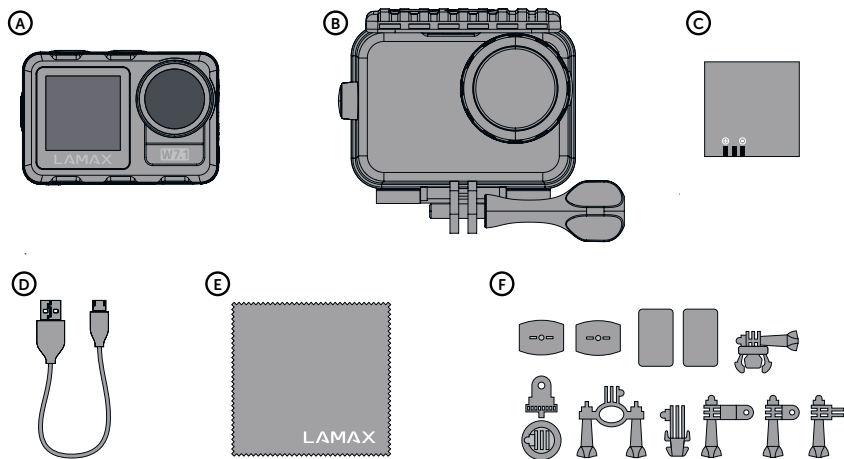


HU – Felhasználói kézikönyv

TARTALOM

1. A CSOMAGOLÁS TARTALMA.....	2
2. MEGISMERKEDÉS A KAMERÁVAL.....	3
3. A KAMERA VEZÉRLÉSE.....	4
4. ELSŐ BEKAPCSOLÁS.....	4
5. BEÁLLÍTÁSOK VIDEO MÓDBAN.....	5
6. BEÁLLÍTÁSOK FÉNYKÉP ÜZEMMÓDBAN.....	6
7. KAMERA BEÁLLÍTÁSOK.....	6
8. WIFI – MOBIL ALKALMAZÁS.....	7
9. VÍZÁLLÓSÁG.....	8
10. BIZTONSÁGI INTÉZKEDÉSEK.....	8

1. A CSOMAGOLÁS TARTALMA



A LAMAX W7.1 akciókamera

B 40 m-ig vízálló készülékház

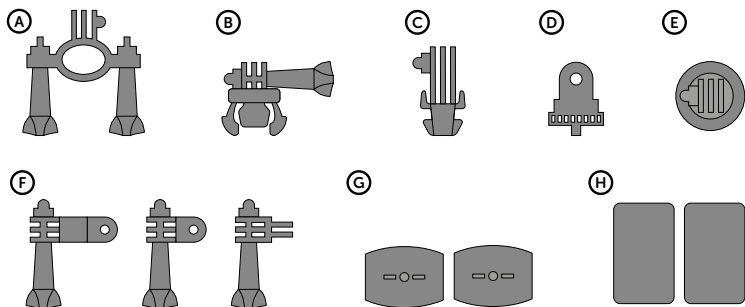
C Lítium-ion akkumulátor

D Mikro USB-kábel töltéshez / fájlok továbbításához

E Mikroszálal törülőkendő

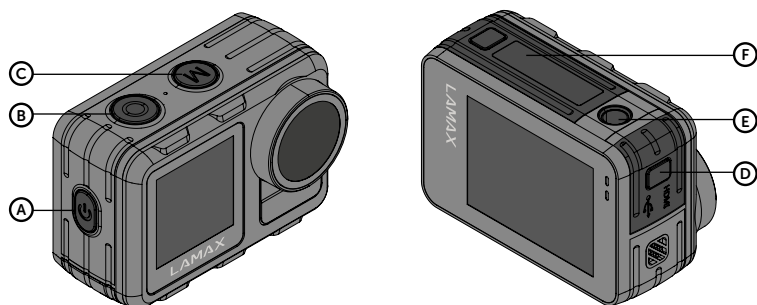
F Tartók

TARTÓK



- A** Tartó botra – például kormányra szereléshez
- B** Fast plug in – gyors tartóba pattintás
- C** J-mount – a gyors bekattintáshoz kiálló résssel
- D** Állvány szűkítő – kamera tartozékok nélküli állványra rögzítéséhez
- E** Állványadapter – tokba helyezett kamera állványra rögzítéséhez
- F** 3-axis connector (3 rész) – tetszőleges irányú rögzítéshez
- G** Öntapadó tartó (2x) – sima felületre rögzítéshez (sisak, motorháztető)
- H** Tartalék 3M matrica (2x) – az öntapadó tartó újbóli rögzítéséhez






2. MEGISMERKEDÉS A KAMERÁVAL



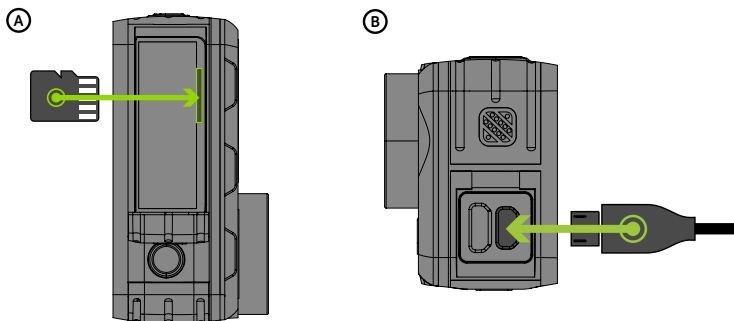
- A** POWER gomb
- B** REC gomb
- C** MODE gomb
- D** Micro USB és mikro HDMI csatlakozóbemenet fedél
- E** Elemház és micro SD kártya slot fedél
- F** A kamerát állványra vagy szelfibotba rögzítő menet

Megjegyzés: Kizárólag ajánlott tartozékokat használjon, ellenkező esetben a kamera megsérülhet.

3. A KAMERA VEZÉRLÉSE

Be- és kikapcsolás	Tartsa lenyomva a POWER gombot, vagy húzza lefelé a hüvelykujját, majd nyomja meg a POWER ikont
Felvétel elindítása / leállítása, fényképezés	Nyomja meg a REC gombot
Gyors üzemmód váltás fotó / videó	Húzza oldalra a hüvelykujját, vagy nyomja meg a MODE gombot
Üzemmód kiválasztása	Érintse meg az ikont  vagy húzza fel a hüvelykujját, és válassza ki a kívánt módot
Beállítások	Érintse meg az ikont 
Fájlok megtekintése	Érintse meg az ikont 
Kijelzők közötti váltás	Tartsa lenyomva a MODE gombot
WiFi be-/kikapcsolása	WiFi a kamera beállításai között az  ikon megérintésével vagy az ujjat felülről lefelé csúsztatva majd a  Wi-Fi ikonra kattintva

4. ELSŐ BEKAPCSOLÁS



Ⓐ HELYEZZE A MICROSD-KÁRTYÁT A KAMERÁBA AZ ÁBRÁN LÁTHATÓ MÓDON (CSATLAKOZÓKKAL AZ OBJEKTÍV FELÉ FORDÍTVA)

- Csak akkor helyezze be a kártyát, ha a kamera ki van kapcsolva, és nincs a számítógéphez csatlakoztatva.
- Az első használat alkalmával közvetlenül a kamerában formázza meg a kártyát.
- Ajánlott nagyobb írási sebességű és max. 128 GB kapacitású memóriakártyát használni (UHS Speed Class -U3 és nagyobb).

Megjegyzés: Kizárólag neves gyártók Micro SDHC vagy SDXC kártyáit használja. A nem neves gyártók kártyái nem garantálják az adattár helyes működését.

Ⓑ CSATLAKOZTASSA A KAMERÁT A TÁPHOZ

- A kamerát vagy a számítógéphez csatlakoztatva, vagy megvásárolható hálózati adapterrel töltheti.
- Az akkumulátor teljes feltöltése 0-ról 100%-ra megközelítőleg 4,5 órát vesz igénybe. A feltöltést követően a töltésjelző kialszik.

Megjegyzés: Az akkumulátor 0-ról 80%-ra töltése 2,5 órát vesz igénybe.

5. BEÁLLÍTÁSOK VIDEO MÓDBAN

Videofelbontás	A kamera által készített felvétel felbontásának és az FPS értékének (képkocka/másodperc) beállítása.
MAXsmooth	A legfeljebb 60 kép/mp fps mellett minden felbontásban rendelkezésre álló MAXsmooth stabilizálás be-/kikapcsolása. Bekapcsolt stabilizálás esetén a látószög (FOV) kisebb, és rossz fényviszonyok esetén akár hátrányosan is befolyásolhatja a videofelvétel minőségét. Nem kombinálható a halszemjavító funkcióval.
LDC	A felvételkedészítési látószög csökkentésével engedélyezi/letiltja az elektronikus halszem-kompenzációt. Nem kombinálható a képstabilizáló funkcióval.
Fehér egyensúly	Állítsa be a fehér egyensúlyt a jelenet megvilágításának különböző módjaihoz.
Expozíció	Expozíció kompenzáció beállítások. A magasabb érték világosabb, az alacsonyabb pedig sötétebb videofelvételt jelent.
Metering	Expozíció mérési mód beállítása. <ul style="list-style-type: none">▶ Átlagos – E beállítás esetén a kamera az egész jelenet kapcsán információt szerez a fényviszonyokról, és beállítja az átlagos értékeket.▶ Közép – Ez a beállítás olyan tárgyak felvételére alkalmas, amelyek túlnyomó részt a felvétel közepén lesznek majd.▶ Egy pont – Ez a beállítás lehetővé teszi a jelenet kis részének bemérését, az alapértelmezett beállítás központ. A felhasználó az érintőkijelző segítségével kiválaszthat egy másik pontot is, amelyhez a kamera hozzáigazítja az expozíciót.▶ Mátrix – Ebben az esetben a kamera a jelenet több pontján méri a fényintenzitást, majd a lehető legjobb expozíciós érték beállítása érdekében egyesíti az eredményeket.
Élesség	Videó élesség beállítása.
Videofelvétel minőség	A videofelvétel kívánt minőségének beállításai.
ISO	ISO érték beállítása. A beállított ISO érték meghatározza a fényérzékenységet. Minél nagyobb az érték, annál világosabb a kép.
Videó dátumozás	A dátum és idő videofelvételeken való elhelyezésének be-/kikapcsolása.
Hangfelvétel	Annak beállítása, hogy rögzítse-e a kamera a hangot.
Lassított videofelvétel	A felbontástól függően a videó 2x - 8x lassítható.
Videó hossza Hurokfelvétel módban	A videó időszegmensekre osztásának beállítása a beállítások kiválasztása szerint.
Felvételrögzítési intervallum Time-lapse módban	Azon időintervallum beállítása amely során a kamera külön fájlként elmentésre kerülő képeket készít.
Videó hossza Time-lapse módban	Time-lapse videó időtartamának beállítása. A beállított idő leteltével a kijelző kikapcsol.

6. BEÁLLÍTÁSOK FÉNYKÉP ÜZEMMÓDBAN

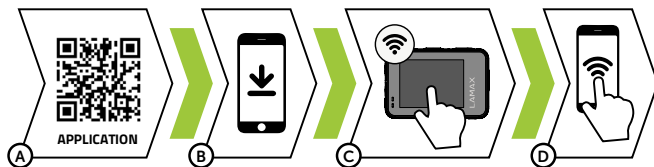
Fénykép felbontás	A készített fényképek felbontásának beállítása.
Fehér egyensúly	Állítsa be a fehér egyensúlyt a jelenet megvilágításának különböző módjaihoz.
Expozíció	Expozíció kompenzáció beállítások. A nagyobb érték világosabb, az alacsonyabb érték sötétebb fényképet jelent.
Metering	Expozíció mérési mód beállítása. <ul style="list-style-type: none">➤ Átlagos – E beállítás esetén a kamera az egész jelenet kapcsán információkat szerez a fényviszonyokról, és beállítja az átlagos értékeket.➤ Közép – Ez a beállítás olyan tárgyak felvételére alkalmas, amelyek túlnyomó részt a felvétel közepén lesznek majd.➤ Egy pont – Ez a beállítás lehetővé teszi a jelenet kis részének bemérését, az alapértelmezett beállítás központ. A felhasználó az érintőkéijező segítségével kiválaszthat egy másik pontot is, amelyhez a kamera hozzáigazítja az expozíciót.➤ Mátrix – Ebben az esetben a kamera a jelenet több pontján méri a fényintenzitást, majd a lehető legjobb expozíciós érték beállítása érdekében egyesíti az eredményeket.
Élesség	Videó élesség beállítása.
Hosszú expozíció	Expozíciós időtartam beállítása. E beállítás esetén a kamera a normálisnál hosszabb ideig nyitva hagyja a rekeszt. A legjobb eredmény érdekében javasoljuk, hogy állványt használjon, és ne mozgassa a kamerát.
ISO	ISO érték beállítása. A beállított ISO érték meghatározza a fényérzékenységet. Minél nagyobb az érték, annál világosabb a kép.
Fénykép dátumozás	A dátum és idő fényképeken való elhelyezésének be-/kikapcsolása.
Foto interval v režimu Auto	Fényképezési intervallum Auto módban: Beállítja az időtartamot, amelynek leteltét követően a REC gomb megnyomását követően a kamera automatikusan fényképet készít.
Sorozatkép	Állítsa be a fényképezőgép által 1 másodperc alatt készített képek számát.
Visszaszámlálás Önkioldó módban	Az önkioldó időintervallumának beállítása.

7. KAMERA BEÁLLÍTÁSOK



Képforgatás	Lehetővé teszi a kép elforgatását, amikor fejjel lefelé filmez.
Wi-Fi	A Wi-Fi be-/ki kapcsolása.
Wi-Fi információ	A Wi-Fi hálózat nevének és jelszavának megjelenítése.
Wi-Fi alaphelyzetbe állítása	Lehetővé teszi a Wi-Fi hálózati beállítások visszaállítását.
Hálózati frekvencia	Lehetővé teszi az elosztóhálózati frekvenciának megfelelő frekvenciaérték kiválasztását (Európában ez az érték 50 Hz, Amerikában és Ázsia egy részében pedig 60 Hz).

LED kijelző	LED kijelző be/ki.
Kijelzőkímélő	Beállítja az időtartamot, amelynek lejártát követően a kijelző az akku kímélése érdekében automatikusan kikapcsol. Érintse meg a kijelzőt, vagy nyomja meg a gombokat a kijelző újbóli aktiválásához.
Automatikus kikapcsolás	A kamera automatikus kikapcsolásának beállításai téltlenség esetére. Bekapcsolt állapotban a kamera kikapcsol, ha nem rögzít videót.
Hangok	Be-/kikapcsolja a kamera rendszerhangjait és hangerejét.
Nyelv	Nyelvválasztás.
Dátum formátum	Lehetővé teszi a dátumformátum kiválasztását.
Időbeállítás	A rendszeridő beállítása a kamerában.
Dátum beállítása	A rendszer dátumának beállítása a kamerában.
Formázás	A memóriakártyán lévő összes adat törlése.
Eszköz-információk	Megjeleníti a kamera modell- és firmware-információkat.
Gyári beállítások	Lehetővé teszi a kamera gyári beállítások visszaállítását.

8. WIFI – MOBIL ALKALMAZÁS



A mobil alkalmazás segítségével megváltoztathatja a kamera üzemmódjait és beállításait, vagy megtekintheti és közvetlenül a mobil készülékére is letöltheti a felvett videókat és rögzített fényképeket.

- A** Olvassa be a QR-kódot az alkalmazás letöltéséhez, vagy kattintson a következő linkre: <https://www.lamax-electronics.com/w71/app>
- B** Telepítse az alkalmazást a mobil eszközére.
- C** WiFi a kamera beállításai között az  ikon megérintésével vagy az ujjat felülről lefelé csúsztatva majd a  Wi-Fi ikonra kattintva.
- D** Csatlakozzon rá a mobilkészülékével a kamera nevével rendelkező WiFi hálózathoz. A WiFi jelszava megjelenik a kamera képernyőjén (alapértelmezett beállítás 1234567890).

9. VÍZÁLLÓSÁG

A vízbe merítéssel szembeni ellenálló képesség a következő feltételek mellett teljesül:

AKCIÓKAMERA:

A kamera tok nélkül 12 méteres vízoszlopig vízálló. Vízbe merítés előtt ellenőrizze le, hogy a kamera oldalán és alján lévő fedelek megfelelően vannak-e lezárva. A fedeleket és tömítéseket meg kell tisztítani minden szennyeződéstől, pl. portól, homoktól, stb. Soha ne nyissa fel a kamera fedelét mindaddig, amíg a kamera teste meg nem száradt. Sós vízben történő használatot követően öblítse le a kamerát ivóvízzel. A szárításhoz soha ne használjon semmilyen textilt, se külső hőforrást (hajszárító, mikrohullámú sütő stb.), mindig hagyja, hogy a kamera lassan száradjon meg.

VÍZÁLLÓ TOK:

A tok 40 méteres vízoszloppal szemben ellenálló. Mielőtt a kamerát a tokban használná, ellenőrizze le, hogy a tok hátsó ajtaja a tok tetején található mechanizmus segítségével megfelelően lett-e lezárva. A tok ajtaját és távirányítóját meg kell tisztítani minden szennyeződéstől, pl. portól, homoktól, stb. Sós vízben történő használatot követően öblítse le a tokot ivóvízzel. A szárításhoz soha ne használjon semmilyen textilt, se külső hőforrást (hajszárító, mikrohullámú sütő stb.), mindig hagyja, hogy a tok lassan száradjon meg. Vízálló tok használata esetén a kamera érintőképernyőjének felülete nem használható, és a kamerát a gombokkal kell működtetni.

TÁVIRÁNYÍTÓ:

A távirányító 2 méteres vízoszloppal szemben ellenálló. Vízbe merítés előtt ellenőrizze le, hogy a távirányító alján található USB-fedél megfelelően le van-e zárva. Soha ne nyissa fel a fedelét, amíg meg nem száradt a távirányító teste. A szárításhoz soha ne használjon külső hőforrást (hajszárító, mikrohullámú sütő stb.), hagyja, hogy a távirányító lassan száradjon meg, vagy használjon puha szövetet.

10. BIZTONSÁGI INTÉZKEDÉSEK

Az első használat előtt a felhasználó kötelessége elsajátítani a termék biztonságos használatának alapjait.

FIGYELMEZTETÉSEK ÉS MEGJEGYZÉSEK

- Saját biztonsága érdekében, ne kezelje a kamerát vezetés közben.
- Használjon autós tartót az autóban való használatához. Bizonyosodjon meg róla, hogy a kamera elhelyezése nem zavarja a vezetőt a kilátásban és ne legyen a légszák útjában.
- Bizonyosodjon meg róla, hogy ne legyen semmilyen tárgy vagy tükröződő anyag a lencse látóterében. Tartsa tisztán a lencsét.
- Ha a szélvédő sötétített vagy fóliázott, az befolyásolhatja a felvétel minőségét.
- A készülék érzékeny eszköz, kérjük, óvja a leejtéstől és ütődésektől.

BIZTONSÁGI FIGYELMEZTETÉS

- Ne használja a töltőt nedves környezetben. Ne érintse meg a töltőt, ha vizes a keze, vagy a lába.
- Ne takarja le a töltőt használat közben, biztosítson megfelelő szellőzést körülötte.
- Megfelelő csatlakozóba dugja be a töltőt. A megfelelő volt érték megtalálható a csomagoláson.
- Ne használja a töltőt, ha sérülést lát rajta, ne javítsa saját kezűleg.
- Ha túlmelegedést tapasztalna, húzza ki a töltőt a csatlakozóból.
- Az eszközt csak felügyelet mellett töltsen!
- A csomagolás apró darabkákat tartalmaz, amelyek gyermekek számára veszélyt jelenthetnek. A terméket mindig tartsa a gyermekektől elzárva. A zacskók, illetve a bennük található darabkák lenyelése fulladást okozhat.

BIZTONSÁGI ÚTMUTATÓ AZ LI-ION AKKUMULÁTOR


- Az első használat előtt az akkumulátort teljesen töltsen fel.
- Kizárólag olyan töltőt használjon, amelyet az ilyen típusú akkumulátor feltöltésére szántak.

- A feltöltés céljából használjon szabványos kábelt, ellenkező esetben a készülék károsodhat.
- A töltőhöz soha ne csatlakoztasson mechanikusan sérült vagy felduzzadt akkumulátort. Ilyen állapotban lévő akkumulátort soha ne használjon, mivel robbanásveszélyes.
- Ne használjon sérült töltőt vagy hálózati adaptert.
- Az akkumulátort szobahőmérsékleten tölts fel, soha ne töltsé 0 °C alatti, vagy 40 °C feletti hőmérsékleten.
- Ügyeljen arra, hogy az akkumulátort ne ejtse le és óvja az ütésektől és egyéb sérülésektől. A sérült akkumulátort ne kísérelje megjavítani.
- Ügyeljen arra, hogy az akkumulátor és a töltő ne legyen kitéve nedvességnek és ne kerüljön érintkezésbe folyadékokkal, esővel, hóval.
- Az akkumulátort ne tárolja a gépjárműben és tartsa távol a napfénytől és más hőforrásoktól. Az erős fény és a magas hőmérséklet károsíthatja az akkumulátort.
- Feltöltés közben ne hagyja az akkumulátort felügyelet nélkül, mivel egy esetleges rövidzárlat vagy véletlen túltöltés (megtörténhet gyorstöltésre nem alkalmas akkumulátor esetén, vagy ha az akkumulátort túlságosan magas feszültségen töltjük, vagy sérült töltő használatára esetén) veszélyes vegyi anyagok szivárgásához, robbanáshoz, vagy tűzhez vezethet!
- Ha az akkumulátor töltés közben túlságosan felmelegszik, azonnal kapcsolja le az áramforrásról.
- Töltés közben a töltőt és az akkumulátort soha ne helyezze gyúlékony anyagokra és tárgyakra vagy ezek közelébe. Vigyázat a függönyökre, szőnyegekre, asztalterítőkre!
- Amint a készülék teljesen feltöltődött, biztonsági okokból azonnal kapcsolja le az áramforrásról.
- Az akkumulátort tartsa távol a gyermekektől és háziállatoktól.
- A töltőt és az akkumulátort soha ne szerelje szét.
- Amennyiben az ön készüléke integrált akkumulátorral rendelkezik, soha ne szerelje szét, eltérő rendelkezés hiányában. A készülék szétszerelése kockázatos, a termék sérüléséhez és ennek következtében garanciavesztéséhez vezethet.
- A használt vagy sérült akkumulátort ne dobja a szemétkosárba, tűzbe vagy fűtőberendezésekbe, hanem szolgáltassa be a veszélyes hulladék gyűjtőhelyeken.

A KÉSZÜLÉK GONDOZÁSA

- A megfelelő készülék használat biztosítja a hibamentes működést és csökkenti a sérülés veszélyét.
- Tartsa távol erős nedvességtől és extrém hőmérsékletektől. Ne tegye ki tartósan erős napfénynek vagy UV sugárzásnak.
- Ne dobja le vagy tegye ki rázkódásnak.
- Ne tegye ki hirtelen és ismétlődő hőmérsékletváltozásnak, ez nedvesség lecsapódást okozhat a készülék belsejében, ami tönkre teheti a készüléket. Nedvesség lecsapódás esetén használat előtt, hagyja, hogy kiszáradjon a készülék.
- A kijelző könnyen megkarcolódhat. Kerülje az érintkezést éles tárgyakkal.
- Ne tisztítsa a készüléket bekapcsolt állapotban. Használjon finom törőruhát a kijelző, valamint a külső letörlésére. Ne használjon papír törlőt a kijelzőhöz.
- Ne próbálja meg szétszedni, javítani, módosítani a készüléket. Szétszedés, módosítás vagy javítási kísérlet kárt okozhat a készülékben, sérülést, anyagi kárt okozhat és megszünteti a garanciát.
- Ne tároljon éghető folyadékokat, gázokat és robbanásveszélyes anyagokat a készülék, alkatrészei vagy kiegészítői mellett.
- Ne hagyja a készüléket és tartozékait szem előtt a leparkolt autóban.
- Túlmelegedés károsíthatja a készüléket.
- Ha a kamera erősen klórozott vízzel vagy tengervízzel érintkezik, öblítse le ivóvízzel és szárítsa meg.
- A kamera megszáritásához ne használjon külső hőforrást, például mikrohullámú sütőt vagy hajszáritót.
- Úszás vagy búvárkodás előtt mindig győződjön meg róla, hogy az elemek fedelét vagy a tápkábel ajtaját nem hagyta-e nyitva. Ha igen, zárja le. Máskülönb a fényképezőgép nem lesz vízhatlan.
- Az érintőképernyőt csak az a célra szolgáló törölkendővel törölje le, hogy ne karcolódjon.

TOVÁBBI TÁJÉKOZTATÁS

1) Háztartások részére: A terméken vagy kísérő dokumentációban lévő jelölés () azt jelenti, hogy az elektromos vagy elektronikus terméket az életciklusa végén külön gyűjtőbe kell kidobni, nem szabad a háztartási hulladékba rakni. A termék megfelelő likvidálásával segíti megőrizni az értékes természeti forrásokat és segíti megelőzni az esetleges negatív hatásokat a környezetre és emberi egészségre, amit a hulladék nem megfelelő likvidálása okozhatna. További részletekért forduljon a helyi hatóságokhoz vagy a legközelebbi gyűjtőhelyre. A termék nem megfelelő likvidálása miatt a nemzeti törvények értelmében bírság is kiszabható. Tájékoztató az elektromos vagy elektronikus termékek likvidálásával kapcsolatban az Európai Közösségen kívüli államokban élő felhasználók részére: A terméken látható jelölés (áthúzott kuka) csupán az Európai tagállamokban érvényes. Az elektromos és elektronikus termékek megfelelő likvidálásával kapcsolatban kérjen részletes tájékoztatást a helyi hatóságoktól vagy a termék értékesítőjétől. Mindent kifejez az áthúzott kuka jelölése a terméken, csomagoláson vagy nyomtatott dokumentumokon.

2) A berendezés garanciális javítás igényét érvényesítse a forgalmazónál. Műszaki problémák és kérdések esetén lépjen kapcsolatba az értékesítővel, aki tájékoztatja Önt a további lépésekről. Tartsa be az elektromos berendezésekre vonatkozó előírásokat. A felhasználó nem jogosult a berendezés szétszerelésére sem bármely részének cseréjére. Amennyiben a borítást felnyitja vagy eltávolítja, az áramütés veszélyének teszi ki magát. A berendezés nem megfelelő összerakása és ismételt csatlakoztatása esetén is áramütés veszélyének teszi ki magát.

A termékekre 24 hónapos garanciális időszak vonatkozik, hacsak nincs érvényben más rendelkezés. A garancia nem vonatkozik a nem szabványos használat, a mechanikai sérülés, az agresszív körülményeknek való kitettség, az útmutatóval ellentétes kezelés és a szokásos kopás okozta károokra. Az elem garanciális ideje 24 hónap, kapacitását 6 hónap.

A gyártó, az importőr vagy a forgalmazó nem vállal felelősséget a készülék szerelésével vagy a termék nem megfelelő használatával okozott károkért.

MEGFELELŐSÉGI NYILATKOZAT:

Az elem6 s.r.o. ezúton kijelenti, hogy az összes LAMAX készülék megfelel az 2014/30/EU és 2014/53/EU szabályozásban meghatározott alapfeltételeknek és az ezekhez kapcsolódó rendelkezéseknek. A termékek korlátozás nélkül forgalmazandók Németországban, Csehországban, Szlovákiában, Lengyelországban, Magyarországon, illetve az Európai Unió többi tagországában. Eltérő rendelkezés hiányában a termékek jótállási időszaka 24 hónap. A megfelelőségi nyilatkozat a www.lamax-electronics.com/support/doc weboldalról tölthető le.

- A rádiókészülék a következő frekvenciasávban működnek: 2.412 – 2.472 GHz
- A frekvenciasávban sugárzott maximális rádiófrekvencia, amelyben a rádiókészülék üzemel: 12.51 dBm

GYÁRTÓ:

elem6 s.r.o., Braškovská 308/158, 161 00 Praha 6
<https://www.lamax-electronics.com>



A nyomdai elírások miatt tévedés joga fenntartva.