

TOSHIBA



Microwave Oven
INSTRUCTION MANUAL

Model:

MW2-MM20PF(BK)
MW2-MM23PF(BK)

Read these instructions carefully before using your microwave oven, and keep it carefully.

If you follow the instructions, your oven will provide you with many years of good service.

SAVE THESE INSTRUCTIONS CAREFULLY

English

CONTENTS

CONTENTS	1
PRECAUTIONS.....	2
SPECIFICATIONS.....	2
IMPORTANT SAFETY INSTRUCTIONS.....	3-4
CLEANING	5
UTENSILS	5-6
SET UP & INSTALLATION	7-8
OPERATION.....	9
TROUBLE SHOOTING.....	10

PRECAUTIONS

PRECAUTIONS TO AVOID POSSIBLE EXPOSURE TO EXCESSIVE MICROWAVE ENERGY

- (a) Do not attempt to operate this oven with the door open since this can result in harmful exposure to microwave energy. It is important not to break or tamper with the safety interlocks.
- (b) Do not place any object between the oven front face and the door or allow cleaner residue to accumulate on sealing surfaces.
- (c) **WARNING:** If the door or door seals are damaged, the oven must not be operated until it has been repaired by a competent person.

ADDENDUM

If the apparatus is not maintained in a good state of cleanliness, its surface could be degraded and affect the life span of the apparatus and lead to a dangerous situation.

SPECIFICATIONS

Model:	MW2-MM20PF(BK)	MW2-MM23PF(BK)
Rated Voltage:	230-240V~50Hz	230-240V~50Hz
Power Consumption (Microwave):	1200-1270W	1200-1250W
Rated Output Power (Microwave):	750-800W	750-800W
Oven Capacity:	20L	23L
Turntable Diameter:	Φ 255mm	Φ 288mm
Outside Dimensions (W x D x H):	440x357x259mm	485x405x293mm
Net Weight:	Approx. 11.4 kg	Approx. 13.0 kg

IMPORTANT SAFETY INSTRUCTIONS

WARNING

To reduce the risk of fire, electric shock, injury to persons or exposure to excessive microwave oven energy when using your appliance, follow basic precautions, including the following:

1. Read and follow the specific: "PRECAUTIONS TO AVOID POSSIBLE EXPOSURE TO EXCESSIVE MICROWAVE ENERGY".
2. This appliance can be used by children and persons with reduced physical, sensory or mental capabilities or lack of experience and knowledge if they have been given supervision or instruction concerning use of the appliance in a safe way and understand the hazards involved. Children shall not play with the appliance. Cleaning and user maintenance shall not be made by children unless they are supervised.
3. Keep the appliance and its cord away from children unless they are continuously supervised.
4. If the supply cord is damaged, it must be replaced by the manufacturer, its service agent or similarly qualified persons in order to avoid a hazard.
5. WARNING: Ensure that the appliance is switched off before replacing the lamp to avoid the possibility of electric shock.
6. WARNING: It is hazardous for anyone other than a competent person to carry out any service or repair operation that involves the removal of a cover which gives protection against exposure to microwave energy.
7. WARNING: Liquids and other foods must not be heated in sealed containers since they are liable to explode.
8. When heating food in plastic or paper containers, keep an eye on the oven due to the possibility of ignition.
9. Only use utensils that are suitable for use in microwave ovens.
10. If smoke is emitted, switch off or unplug the appliance and keep the door closed in order to stifle any flames.
11. Microwave heating of beverages can result in delayed eruptive boiling, therefore care must be taken when handling the container.
12. The contents of feeding bottles and baby food jars shall be stirred or shaken and the temperature checked before consumption, in order to avoid burns.
13. Eggs in their shell and whole hard-boiled eggs should not be heated in microwave ovens since they may explode, even after microwave heating has ended.
14. The oven should be cleaned regularly and any food deposits removed.
15. Failure to maintain the oven in a clean condition could lead to deterioration of the surface that could adversely affect the life of the appliance and possibly result in a hazardous situation.
16. Only use the temperature probe recommended for this oven.(for ovens provided with a facility to use a temperature-sensing probe.)
17. The microwave oven shall not be placed in a cabinet unless it has been tested in a cabinet.
18. This appliance is intended to be used in household and similar applications such as:
 - staff kitchen areas in shops, offices and other working environments;
 - by clients in hotels, motels and other residential type environments;
 - farm houses;
 - bed and breakfast type environments.
19. The microwave oven is intended for heating food and beverages. Drying of food or clothing and heating of warming pads, slippers, sponges, damp cloth and similar may lead to risk of injury, ignition or fire.
20. Metallic containers for food and beverages are not allowed during microwave cooking.
21. The appliance shall not be cleaned with a steam cleaner.

- 22. The appliance is intended to be used freestanding.
- 23. The rear surface of appliances shall be placed against a wall.
- 24. The appliances are not intended to be operated by means of an external timer or separate remote-control system.

READ CAREFULLY AND KEEP FOR FUTURE REFERENCE

To Reduce the Risk of Injury to Persons Grounding Installation

DANGER

Electric Shock Hazard

Touching some of the internal components can cause serious personal injury or death. Do not disassemble this appliance.

WARNING

Electric Shock Hazard

Improper use of the grounding can result in electric shock.
Do not plug into an outlet until appliance is properly installed and grounded.

This appliance must be grounded. In the event of an electrical short circuit, grounding reduces the risk of electric shock by providing an escape wire for the electric current.
This appliance is equipped with a cord having a grounding wire with a grounding plug. The plug must be plugged into an outlet that is properly installed and grounded.

Consult a qualified electrician or serviceman if the grounding instructions are not completely understood or if doubt exists as to whether the appliance is properly grounded.
If it is necessary to use an extension cord, use only a 3-wire extension cord.

1. A short power-supply cord is provided to reduce the risks resulting from becoming entangled in or tripping over a longer cord.
2. If a long cord set or extension cord is used:
 - 1) The marked electrical rating of the cord set or extension cord should be at least as great as the electrical rating of the appliance.
 - 2) The extension cord must be a grounding-type 3-wire cord.
 - 3) The long cord should be arranged so that it will not drape over the counter top or tabletop where it can be pulled on by children or tripped over unintentionally.

CLEANING

Be sure to unplug the appliance from the power supply.

1. Clean the cavity of the oven after using with a slightly damp cloth.
2. Clean the accessories in the usual way in soapy water.
3. The door frame and seal and neighboring parts must be cleaned carefully with a damp cloth when they are dirty.
4. Do not use harsh abrasive cleaners or sharp metal scrapers to clean the oven door glass since they can scratch the surface, which may result in shattering of the glass.
5. **Cleaning Tip**--For easier cleaning of the cavity walls that the food cooked can touch: Place half a lemon in a bowl, add 300ml (1/2 pint) water and heat on 100% microwave power for 10 minutes. Wipe the oven clean using a soft, dry cloth.

UTENSILS

CAUTION

Personal Injury Hazard

It is hazardous for anyone other than a competent person to carry out any service or repair operation that involves the removal of a cover which gives protection against exposure to microwave energy.

See the instructions on "Materials you can use in microwave oven or to be avoided in microwave oven." There may be certain non-metallic utensils that are not safe to use for microwaving. If in doubt, you can test the utensil in question following the procedure below.

Utensil Test:

1. Fill a microwave-safe container with 1 cup of cold water (250ml) along with the utensil in question.
2. Cook on maximum power for 1 minute.
3. Carefully feel the utensil. If the empty utensil is warm, do not use it for microwave cooking.
4. Do not exceed 1 minute cooking time.

Materials you can use in microwave oven

Utensils	Remarks
Browning dish	Follow manufacturer's instructions. The bottom of browning dish must be at least 3/16 inch (5mm) above the turntable. Incorrect usage may cause the turntable to break.
Dinnerware	Microwave-safe only. Follow manufacturer's instructions. Do not use cracked or chipped dishes.
Glass jars	Always remove lid. Use only to heat food until just warm. Most glass jars are not heat resistant and may break.
Glassware	Heat-resistant oven glassware only. Make sure there is no metallic trim. Do not use cracked or chipped dishes.
Oven cooking bags	Follow manufacturer's instructions. Do not close with metal tie. Make slits to allow steam to escape.
Paper plates and cups	Use for short-term cooking/warming only. Do not leave oven unattended while cooking.
Paper towels	Use to cover food for reheating and absorbing fat. Use with supervision for a short-term cooking only.
Parchment paper	Use as a cover to prevent splattering or a wrap for steaming.
Plastic	Microwave-safe only. Follow the manufacturer's instructions. Should be labeled "Microwave Safe". Some plastic containers soften, as the food inside gets hot. "Boiling bags" and tightly closed plastic bags should be slit, pierced or vented as directed by package.
Plastic wrap	Microwave-safe only. Use to cover food during cooking to retain moisture. Do not allow plastic wrap to touch food.
Wax paper	Use as a cover to prevent splattering and retain moisture.

Materials to be avoided in microwave oven

Utensils	Remarks
Aluminum tray	May cause arcing. Transfer food into microwave-safe dish.
Food carton with metal handle	May cause arcing. Transfer food into microwave-safe dish.
Metal or metal-trimmed utensils	Metal shields the food from microwave energy. Metal trim may cause arcing.
Metal twist ties	May cause arcing and could cause a fire in the oven.
Paper bags	May cause a fire in the oven.
Plastic foam	Plastic foam may melt or contaminate the liquid inside when exposed to high temperature.
Wood	Wood will dry out when used in the microwave oven and may split or crack.

SET UP & INSTALLATION

SETTING UP YOUR OVEN

Names of Oven Parts and Accessories

Remove the oven and all materials from the carton and oven cavity.

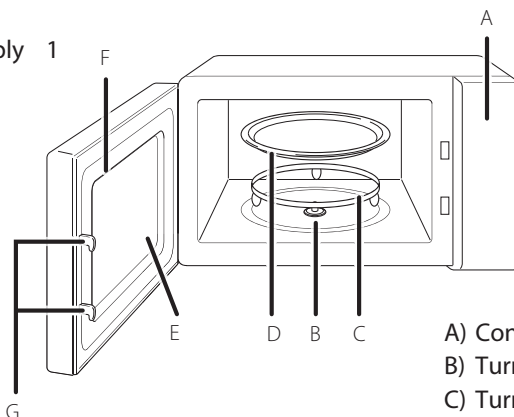
Your oven comes with the following accessories:

Glass tray 1

Turntable ring assembly 1

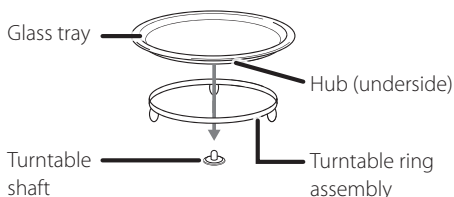
Turntable Shaft 1

Instruction Manual 1



- A) Control panel
- B) Turntable shaft
- C) Turntable ring assembly
- D) Glass tray
- E) Observation window
- F) Door assembly
- G) Safety interlock system

Turntable Installation



- a. Never place the glass tray upside down. Follow the instruction to place the glass tray on the turntable ring with correct direction. The glass tray should rotate smoothly.
- b. Both glass tray and turntable ring assembly must always be used during cooking.
- c. All food and containers of food are always placed on the glass tray for cooking.
- d. If glass tray or turntable ring assembly cracks or breaks, contact your nearest authorized service center.

Countertop Installation

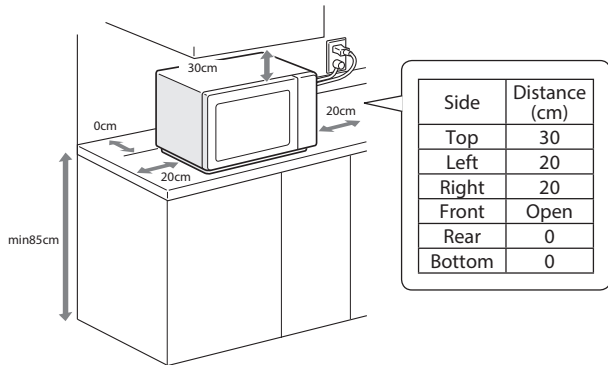
Remove all packing material and accessories. Examine the oven for any damage such as dents or broken door. Do not install if oven is damaged.

Cabinet: Remove any protective film found on the microwave oven cabinet surface.

Do not remove the light brown Mica cover that is attached to the oven cavity to protect the magnetron.

Installation

1. Select a level surface that provide enough open space for the intake and/or outlet vents.



- (1) The minimum installation height is 85cm.
- (2) The rear surface of appliance shall be placed against a wall.
Leave a minimum clearance of 30cm above the oven, a minimum clearance of 20cm is required between the oven and any adjacent walls.
- (3) Do not remove the legs from the bottom of the oven.
- (4) Blocking the intake and/ or outlet openings can damage the oven.
- (5) Place the oven as far away from radios and TV as possible. Operation of microwave oven may cause interference to your radio or TV reception.

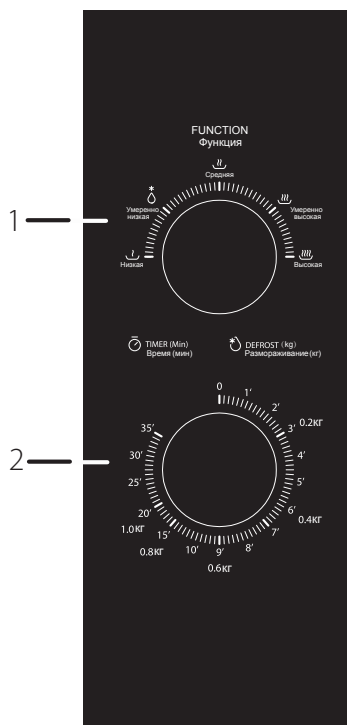
2. Plug your oven into a standard household outlet. Be sure the voltage and the frequency is the same as the voltage and the frequency on the rating label.

WARNING: Do not install oven over a range cooktop or other heat-producing appliance. If installed near or over a heat source, the oven could be damaged and the warranty would be void.

The accessible surface may be hot during operation.



OPERATION



1. POWER knob

2. TIMER knob

- To set cooking power by turning POWER knob to desired level.
- To set the time of cooking by turning TIMER knob to desired time per your food cooking guide.
- The microwave oven will automatically start cooking after power level and time are set.
- After the cooking time is up, the unit will “Dong” to stop.
- If the unit is not in use, always set time to “0”.

Function/Power	Output	Application
Low	17% Micro.	Soften Ice Cream
Med. Low (Defrost)	33% Micro.	Soup Stew, Soften Butter or Defrost
Med.	55% Micro.	Stew, Fish
Med. High	77% Micro.	Rice, Fish, Chicken, Ground Meat
High	100% Micro.	Reheat, Milk, Boil Water, Vegetables, Beverage

Notice: When removing food from the oven, please ensure that the oven power is switched off by turning the timer switch to 0 (zero). Failure to do so, and operating the microwave oven without food in it, can result in overheating and damage to the magnetron.

TROUBLE SHOOTING

Normal

Microwave oven interfering TV reception	Radio and TV reception may be interfered when microwave oven operating. It is similar to the interference of small electrical appliance, like mixer, vacuum cleaner, and electric fan. It is normal.
Dim oven light	In low power microwave cooking, oven light may become dim. It is normal.
Steam accumulating on door, hot air out of vents	In cooking, steam may come out of food. Most will get out from vents. But some may accumulate on cool place like oven door. It is normal.
Oven started accidentally with no food in.	It is forbidden to run the until without any food inside. It is very dangerous.

Trouble	Possible Cause	Remedy
Oven can not be started.	(1) Power cord not plugged in tightly.	Unplug. Then plug again after 10 seconds.
	(2) Fuse blowing or circuit breaker works.	Replace fuse or reset circuit breaker (repaired by professional personnel of our company)
	(3) Trouble with outlet.	Test outlet with other electrical appliances.
Oven does not heat.	(4) Door not closed well.	Close door well.

TOSHIBA



Mikrovlonná trouba

NÁVOD K POUŽITÍ

Model:

MW2-MM20PF(BK)

MW2-MM23PF(BK)

Před použitím mikrovlnné trouby si pečlivě přečtěte tento návod a důsledně jej dodržujte.

Pokud budete dodržovat tyto pokyny, mikrovlnná trouba vám bude sloužit mnoho let.

USCHOVEJTE TENTO NÁVOD NA BEZPEČNÉ MÍSTO

OBSAH

OBSAH	1
PREVENTIVNÍ OPATŘENÍ	2
TECHNICKÉ PODMÍNKY.....	2
DŮLEŽITÉ BEZPEČNOSTNÍ POKYNY	3-4
ČIŠTĚNÍ	5
NÁDOBÍ	5-6
NASTAVENÍ A INSTALACE	7-8
POUŽÍVÁNÍ.....	9
ODSTRAŇOVÁNÍ ZÁVAD.....	10

PREVENTIVNÍ OPATŘENÍ

PREVENTIVNÍ OPATŘENÍ NA OCHRANU PŘED PŘÍPADNÝM VYSTAVENÍM PŮSOBENÍ MIKROVLNNÉ ENERGIE

- (a) Nepokoušejte se používat tuto troubu s otevřenými dvířky, jinak může dojít ke škodlivému vystavení působení mikrovlnné energie. V žádném případě nemanipulujte s bezpečnostními pojistkami, ani je nevyřazujte s funkce.
- (b) Nevkládejte žádné předměty mezi přední stranu trouby a dvířka, dále zamezte hromadění zbytků čisticích prostředků na těsnicích površích.
- (c) VAROVÁNÍ: v případě poškození dvířek nebo jejich těsnění nesmí být trouba používána, dokud ji odborně způsobilá osoba neopraví.

DOPLŇUJÍCÍ INFORMACE

Pokud není spotřebič udržován v čistotě, může dojít k poškození jeho povrchu a zkrácení životnosti spotřebiče; dále to může vést k nebezpečným situacím.

TECHNICKÉ PODMÍNKY

Model:	MW2-MM20PF(BK)	MW2-MM23PF(BK)
Jmenovité napětí:	230-240V~50Hz	230-240 V~50 Hz
Příkon (mikrovlnný):	1200-1270W	1200-1250 W
Jmenovitý výkon (mikrovlnný):	750-800W	750-800 W
Objem trouby:	20L	23L
Průměr otočného talíře:	Φ 255 mm	Φ 288 mm
Vnější rozměry (Š x H x V):	440x357x259mm	485x405x293 mm
Čistá hmotnost:	přibl. 11,0 kg	přibl. 13,0 kg

DŮLEŽITÉ BEZPEČNOSTNÍ POKYNY

VAROVÁNÍ

Aby se snížilo riziko požáru, zásahu elektrickým proudem, zranění nebo vystavení nadměrného působení energie mikrovlnné trouby při používání spotřebiče dodržujte základní preventivní opatření, včetně následujících:

1. Přečtěte si a dodržujte specifická „PREVENTIVNÍ OPATŘENÍ NA OCHRANU PŘED PŘÍPADNÝM VYSTAVENÍM PŮSOBENÍ MIKROVLNNÉ ENERGIE“.
2. Tento spotřebič smí používat děti a osoby se sníženými fyzickými, smyslovými nebo duševními schopnostmi nebo s nedostatečnými zkušenostmi nebo znalostmi, jsou-li pod dohledem nebo pokud byly poučeny o bezpečném způsobu používání spotřebiče a porozuměli s tím souvisejícím rizikům. Děti si se zařízením nesmí hrát. Čištění a údržbu nesmí provádět děti bez dozoru.
3. Uchovávejte spotřebič a jeho napájecí kabel mimo dosah dětí, pokud nejsou pod trvalým dozorem.
4. V případě poškození napájecího kabelu jej musí vyměnit výrobce, jeho servisní zástupce nebo podobně odborně způsobilé osoby, aby se zamezilo nebezpečí.
5. VAROVÁNÍ: před vyměňováním žárovky vždy spotřebič vypněte, aby se zamezilo případnému zásahu elektrickým proudem.
6. VAROVÁNÍ: Provádění servisních úkonů a oprav zahrnujících sejmутí krytu zajišťujícího ochranu proti mikrovlnné energii je nebezpečné pro každého, kromě odborně způsobilých osob.
7. VAROVÁNÍ: kapaliny a jiné potraviny se nesmí ohřívat v uzavřených nádobách, jelikož hrozí nebezpečí vybuchnutí.
8. Při ohřívání potravin v plastových nebo papírových obalech sledujte troubu, aby se zamezilo případnému zapálení.
9. Používejte pouze nádobí určené pro použití v mikrovlnných troubách.
10. Pokud zpozorujete kouř, spotřebič vypněte nebo odpojte od sítě a nechte dvířka zavřená, aby se případný oheň udušil.
11. Mikrovlnný ohřev nápojů může způsobit zpožděný eruptivní var a proto je nutno při manipulaci s nádobou postupovat opatrně.
12. Před podáním je nutno obsah dětských saviček a krmicích lahví promíchat nebo protřepat a pak zkontrolovat teplotu, aby se zamezilo popálení.
13. Vejce ve skořápce a celá vejce uvařená natvrdo by neměla být v mikrovlnných troubách ohřívána, jelikož mohou vybuchnout i po ukončení ohřívání v mikrovlnné troubě.
14. Troubu je třeba pravidelně čistit a odstraňovat zbytky jídla.
15. Pokud není spotřebič udržován v čistotě, může dojít k poškození jeho povrchu a zkrácení životnosti spotřebiče; dále to může vést k nebezpečným situacím.
16. Používejte pouze teploměr doporučený pro tuto troubu (platí pro trouby vybavené zařízením pro použití teploměru).
17. Mikrovlnnou troubu neumísťujte do skříně, pokud nebyla její funkce ve skříně ověřena.
18. Tento spotřebič je určen k použití v domácnosti a v podobných aplikacích, jako např.:
 - kuchyňské koutky pro personál v prodejnách, kancelářích nebo jiných pracovištích;
 - hosté v hotelech, motelech a v jiných prostředích ubytovacího typu;
 - farmy;
 - krátkodobá ubytovací zařízení.
19. Mikrovlnná trouba je určena k ohřívání potravin a nápojů. Sušení potravin nebo oděvů a zahřívání ohřívacích podložek, pantoflí, mycích houbiček, mokrých oděvů apod. může vést k nebezpečí zranění, zapálení nebo požáru.
20. Při mikrovlnném vaření nejsou přípustné kovové nádoby na potraviny a nápoje.
21. Tento spotřebič nesmí být čistěn parním čistícím zařízením.

22. Tento spotřebič je určen k použití jako volně stojící.

23. Zadní strana spotřebiče musí stát proti stěně.

24. Tento spotřebič není určen k ovládání externím časovačem nebo nezávislým dálkovým ovladačem.

PEČLIVĚ SI NÁVOD PŘEČTĚTE A USCHOVEJTE PRO PŘÍPADNÉ NAHLÉDNUTÍ

Snížení rizika zranění uzemnění instalace

NEBEZPEČÍ

Nebezpečí zásahu elektrickým proudem

Při dotyku vnitřních součástí může dojít k vážnému zranění nebo usmrcení. Spotřebič nerozebírejte.

VAROVÁNÍ

Nebezpečí zásahu elektrickým proudem

Nesprávné použití uzemnění může způsobit zásah elektrickým proudem.

Nezapojte spotřebič do zásuvky, dokud není řádně instalován a uzemněn.

Tento spotřebič musí být uzemněn. V případě elektrického zkratu snižuje uzemnění nebezpečí zásahu elektrickým proudem zajištěním vodiče pro svedení elektrického proudu.

Tento spotřebič je vybaven napájecím kabelem obsahujícím uzemňovací vodič s uzemněnou zástrčkou. Zástrčka musí být připojena do řádně nainstalované a uzemněné zásuvky.

Pokud dokonale nerozumíte pokynům k uzemnění nebo máte pochybnosti o řádném uzemnění spotřebiče, obraťte se na odborně způsobilého elektrikáře.

Pokud je nutné použít prodlužovací kabel, používejte pouze 3vodičový typ.

1. Dodáváme krátký napájecí kabel, aby se omezilo nebezpečí zamotání nebo klopýtnutí přes delší kabel.
2. Při použití delšího nebo prodlužovacího napájecího kabelu:
 - 1) Jmenovité elektrické parametry delšího nebo prodlužovacího kabelu musí nejméně odpovídat jmenovitým elektrickým parametrům spotřebiče.
 - 2) Prodlužovací kabel musí být 3hodičového uzemněného typu.
 - 3) Dlouhý kabel by měl být uspořádán tak, aby nevisel z kuchyňské linky nebo ze stolu, kde by za něj mohly tahat děti nebo kde hrozí nebezpečí klopýtnutí.

Čištění

Před čištěním vždy odpojte spotřebič od zdroje napájení.

1. Po použití vyčistěte vnitřní prostor trouby lehce navlhčeným hadříkem.
2. Příslušenství čistěte obvyklým způsobem v mýdlové vodě.
3. Rám a těsnění dvířek a sousední díly je nutno v případě znečištění čistit opatrně vlhkým hadříkem.
4. K čištění skla na dvířkách trouby nepoužívejte hrubé abrazivní čisticí prostředky ani ostré kovové škrabky, mohlo by dojít k poškrábání skla.
5. Tip k čištění – snadnější čištění stěn vnitřního prostoru, které mohou přijít do styku s připravovanými potravinami: vložte půl citronu do kbelíku, přidejte 300 ml (12/ pinty) vody a zahřívejte na 100 % mikrovlnného výkonu po dobu 10 minut. Otřete troubu měkkým, suchým hadříkem.

NÁDOBÍ

POZOR

Nebezpečí zranění

Provádění servisních úkonů a oprav zahrnujících sejmutí krytu zajišťujícího ochranu proti mikrovlnné energii je nebezpečné pro každého, kromě odborně způsobilých osob.

Viz pokyny uvedené v části „Materiály, které můžete v mikrovlnné troubě používat“ a „Materiály, které v mikrovlnné troubě nepoužívejte“.

Existuje nekovové nádobí, které nelze bezpečně používat pro mikrovlnný ohřev. V případě pochybností můžete příslušné nádobí vyzkoušet následovně.

Zkouška nádobí:

1. Naplňte nádobu vhodnou pro mikrovlnný ohřev šálkem vody (250 ml) a postavte ji vedle zkoušeného nádobí.
2. Ohřívejte na maximum 1 minutu.
3. Opatrně se nádobí dotkněte. Pokud je prázdné nádobí horké, pak jej v mikrovlnné troubě nepoužívejte.
4. Nepřekračujte dobu ohřevu 1 minutu.

Materiály, které můžete v mikrovlnné troubě používat

Nádobí	Uwagi
Zapékací keramické nádobí	Dodržujte pokyny výrobce. Dno zapékací mísy musí být nejméně 5 mm (316/ palce) nad otočným talířem. Při nesprávném použití může dojít k prasknutí otočného talíře.
Servírovací nádobí	Pouze vhodné pro mikrovlnný ohřev. Dodržujte pokyny výrobce. Nepoužívejte prasklé nebo oprýskané nádobí.
Skleněné lahve	Vždy sejměte víko. Používejte jen k ohřevu, dokud není potrava teplá. Většina skleněných lahví není žáruvzdorná a může dojít k prasknutí.
Skleněné nádobí	Pouze nádobí ze žáruvzdorného skla. Nesmí obsahovat kovové zdobení. Nepoužívejte prasklé nebo oprýskané nádobí.
Varné sáčky do trouby	Dodržujte pokyny výrobce. Nezavírat kovovou sponkou. Sáček propíchněte, aby mohla unikát pára.
Papírové talíře a kelímky	Používejte jen ke krátkodobému vaření/ohřevu. Při ohřívání nenechávejte takové nádobí bez dozoru.
Papírové utěrky	Používejte k zakrytí potravin pro předeštev a vsáknutí mastnoty. Používejte jen ke krátkodobému ohřevu pod dozorem.
Pergamenový papír	Používejte k zakrytí, aby se zamezilo rozstříku, nebo k zabalení při ohřívání v páře.
Plasty	Pouze vhodné pro mikrovlnný ohřev. Dodržujte pokyny výrobce. Měly by být označeny jako „Vhodné pro mikrovlnný ohřev“. Některé plastové nádoby měknou, když se potraviny uvnitř ní zahřívají. „Varné sáčky“ a těsně uzavřené plastové sáčky by měly být propíchnuty nebo odvětrávány dle pokynů na obalu.
Plastové obalové materiály	Pouze vhodné pro mikrovlnný ohřev. Používejte k zakrytí potravin při vaření, aby se v nich udržela vlhkost. Zamezte styku plastových obalových materiálů s potravinami.
Voskový papír	Používejte k zakrytí, aby se zamezilo rozstříku, a pro udržení vlhkosti v potravinách.

Materiály, které v mikrovlnné troubě nepoužívejte

Nádobí	Poznámky
Hliníkový táč	Může způsobovat jiskření. Přendejte potraviny na talíř, který lze používat pro mikrovlnný ohřev.
Krabice na potraviny s kovovým držadlem	Může způsobovat jiskření. Přendejte potraviny na talíř, který lze používat pro mikrovlnný ohřev.
Kovové nádobí nebo nádobí zdobené kovem	Kov stíní potraviny před mikrovlnnou energií. Kovové zdobení může způsobovat jiskření.
Kovové svorky	Mohou způsobovat jiskření a požár v troubě.
Papírové sáčky	Mohou způsobovat požár v peci.
Plastová pěna	Plastová pěna se může roztavit nebo znečistit kapalinu v troubě při vystavení vysokým teplotám.
Dřevo	Při používání v mikrovlnné troubě může dřevo vyschnout a štípat se nebo praskat.

NASTAVENÍ A INSTALACE

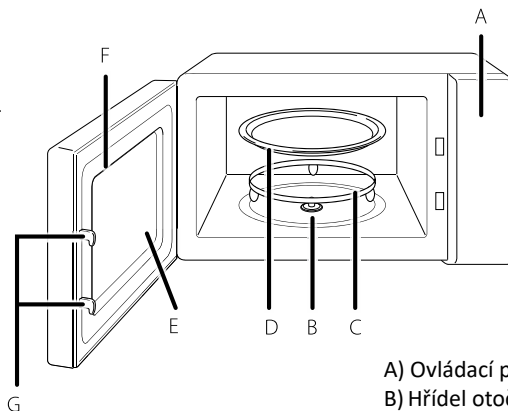
NASTAVENÍ TROUBY

Názvy dílů a příslušenství trouby

Vyjměte troubu a veškeré díly a materiály z krabice a vnitřního prostoru trouby.

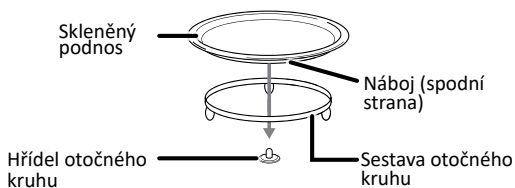
K troubě dodáváme následující příslušenství:

Skleněný podnos 1
Sestava otočného kruhu 1
Hřídel otočného kruhu 1
Návod k použití 1



- A) Ovládací panel
- B) Hřídel otočného kruhu
- C) Sestava otočného kruhu
- D) Skleněný podnos
- E) Pozorovací okno
- F) Sestava dvířek
- G) Bezpečnostní blokovací systém

Instalace otočného kruhu



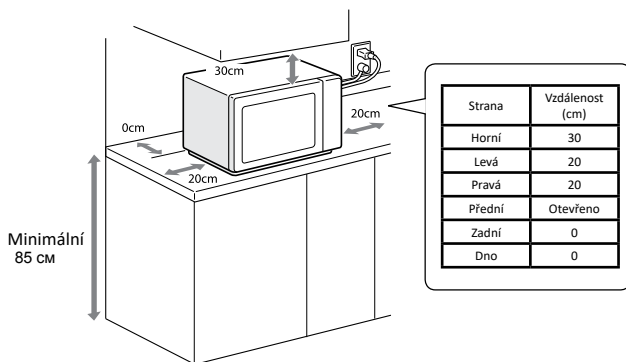
- a. Nikdy nevkládejte skleněný podnos vzhůru nohama. Dodržujte pokyny pro nasazení skleněného podnosu na otočný kruh ve správném směru. Skleněný podnos by se měl plynule otáčet.
- b. Při vaření je nutno vždy používat jak skleněný podnos, tak sestavu otočného stolu.
- c. Při vaření se veškeré potraviny a nádoby s potravinami vždy pokládají na skleněný podnos.
- d. V případě prasknutí skleněného podnosu nebo sestavy otočného kruhu se obraťte na nejbližší autorizované servisní středisko.

Instalace na pracovní desku

Sejměte veškerý obalový materiál a příslušenství. Zkontrolujte, zda není trouba poškozená, např. škrábance nebo prasklá dvířka. Poškozenou troubu neinstalujte. Skříň: sejměte veškeré ochranné vrstvy z povrchu skříňové mikrovlnné trouby. Neodstraňujte světle hnědý slídový kryt připevněný ke vnitřnímu prostoru trouby za účelem ochrany magnetronu.

Instalace

1. Vyberte rovný povrch, který umožňuje dostatečný prostor pro vstupní/výstupní větrací otvory.



- (1) Minimální instalační výška je 85 cm.
- (2) Zadní strana spotřebiče musí stát proti stěně.
Zajistěte minimální prostor nad troubou 30 cm, mezi troubou a jakoukoliv sousední stěnou je nutno zajistit minimální prostor 20 cm.
- (3) Nesundávejte nožky ze spodní části trouby.
- (4) Zakrývání vstupních a/nebo výstupních otvorů může troubu poškodit.
- (5) Umístěte troubu co nejdále od radiových a TV přijímačů. Provoz mikrovlnné trouby může způsobovat rušení příjmu radiového nebo TV signálu.

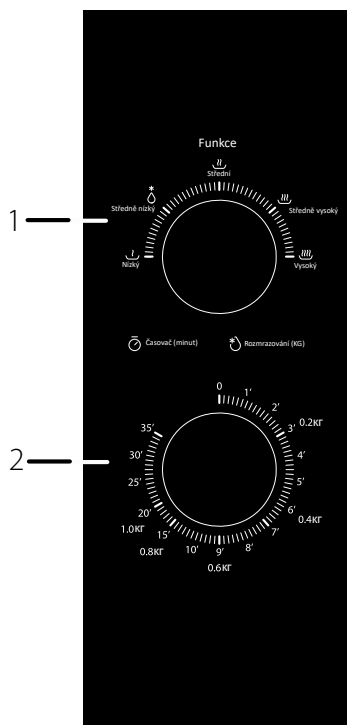
2. Připojte troubu do standardní zásuvky pro domácnosti. Zajistěte, aby napětí a frekvence odpovídaly hodnotám uvedeným na typovém štítku.

VAROVÁNÍ: Neinstalujte troubu nad sporáky ani jiné spotřebiče vyvíjející teplo. V případě instalace v blízkosti zdroje tepla může dojít k poškození trouby, na což se záruka nevztahuje.

Přístupný povrch může být za provozu horký.



POUŽÍVÁNÍ



1. Ovladač POWER (výkon)
2. Ovladač TIMER (časovač)

- Nastavení ohřívacího výkonu provedete otočením ovladače POWER (výkon) na požadovanou úroveň.
- Nastavení času ohřevu provedete otočením ovladače TIMER (časovač) na požadovaný čas dle pokynů k ohřevu vaší potraviny.
- Po nastavení úrovně výkonu a času se mikrovlnná trouba automaticky zapne.
- Po uplynutí doby ohřevu spotřebič „cinkne“ a vypne se.
- Pokud se spotřebič nepoužívá, vždy nastavte čas na hodnotu „0“.

Funkce/výkon	Výkon	Použití
Nízký	17 % mikrovlny	Změknutí zmrzliny
Střední Nízký (rozmrazování)	33% mikrovlny	Polévka, dušená masa, změkčování másla nebo rozmrazování
Střední	55% mikrovlny	Dušená masa, ryba
Střední Vysoký	77% mikrovlny	Rýže, ryba, kuře, mleté maso
Vysoký	100% mikrovlny	Ohřívání, mléko, vařící voda, zelenina, nápoje

Upozornění: Při vyndávání potravin z trouby vždy zajistěte vypnutí výkonu trouby otočením časovače do polohy 0 (nula). Pokud tak neučiníte a provozujete troubu bez potravin uvnitř, může dojít k přehřátí a poškození magnetronu

ODSTRAŇOVÁNÍ ZÁVAD

Běžné situace	
Mikrovlnná trouba ruší příjem TV signálu	Příjem radiového a TV signálu může být za provozu mikrovlnné trouby rušen. Jde o rušení podobné jiným malým elektrickým spotřebičům, např. mixéru, vysavače a fénu. Jde o běžný jev.
Tlumené světlo trouby	Při nízkém výkonu mikrovlnné trouby může být světlo trouby ztlumené. Jde o běžný jev.
Kondenzování páry na dvířkách, z větracích otvorů vychází horký vzduch	Při vaření může z potravin vystupovat pára. Většina páry vychází z větracích otvorů. Část ovšem může kondenzovat na chladných površích, např. na dvířkách trouby. Jde o běžný jev.
Trouba se náhodně zapnula, aniž jsou uvnitř potraviny.	Je zakázáno provozovat troubu, když nejsou uvnitř potraviny. Je to velmi nebezpečné.

Problém	Možná příčina	Řešení
Troubu nelze zapnout.	(1) Napájecí kabel není pevně zapojen.	Odpojte jej. Pak jej znovu připojte za 10 sekund.
	(2) Aktivovala se pojistka nebo jistič.	Vyměňte pojistku nebo resetujte jistič (opravu provádí odborný personál naší společnosti)
	(3) Problém se zásuvkou.	Vyzkoušejte zásuvku s jinými elektrospotřebiči.
Trouba neohřívá.	(4) Dvířka nejsou těsně zavřená.	Zavřete dvířka.

TOSHIBA



Mikrohullámú sütő

HASZNÁLATI ÚTMUTATÓ

Modell:

MW2-MM20PF(BK)

MW2-MM23PF(BK)

A mikrohullámú sütő használata előtt gondosan olvassa el és tartsa be ezeket az utasításokat.

Ha betartja az utasításokat, sütője sok éven át jó szolgálatot tesz majd Önnek.

GONDOSAN ŐRIZZE MEG EZEKET AZ UTASÍTÁSOKAT

TARTALOM

TARTALOM	1
ÓVINTÉZKEDÉSEK.....	2
MŰSZAKI ADATOK	2
FONTOS BIZTONSÁGI UTASÍTÁSOK.....	3-4
TISZTÍTÁS	5
EDÉNYEK	5-6
BEÁLLÍTÁS ÉS TELEPÍTÉS.....	7-8
MŰKÖDTETÉS.....	9
HIBAEZHÁRÍTÁS.....	10

ÓVINTÉZKEDÉSEK

ÓVINTÉZKEDÉSEK AZ ESETLEGES TÚLZOTT MIKROHULLÁMÚ ENERGIAKIBOCSÁTÁS ELKERÜLÉSE ÉRDEKÉBEN

- (a) Ne próbálja meg a sütőt nyitott ajtóval működtetni, mert ez káros mikrohullámú energiakibocsátást okozhat. Fontos, hogy ne törje össze és ne változtassa meg a biztonsági zárat.
- (b) Ne helyezzen semmilyen tárgyat a sütő előlapja és az ajtó közé, és ne hagyja, hogy tisztítószer-maradványok halmozódjanak fel a tömítőfelületeken.
- (c) FIGYELEM: Tilos a sütőt működtetni, ha az ajtó vagy az ajtó tömítései megsérültek, és azt egy hozzáértő személy meg nem javította.

KIEGÉSZÍTŐ MEGJEGYZÉS

Ha a készüléket nem kellően tiszta állapotban tartják, a felülete károsodhat, amely befolyásolhatja a készülék élettartamát, és veszélyes helyzetet teremthet.

SPECIFIKÁCIÓK

Modell:	MW2-MM20PF(BK)	MW2-MM23PF(BK)
Névleges feszültség:	230-240V~50Hz	230-240V~50Hz
Energiafogyasztás (mikrohullám):	1200-1270W	1200-1250W
Névleges kimenő teljesítmény (mikrohullám):	750-800W	750-800W
Sütő teljesítménye:	20L	23L
Forgótányér átmérője:	Φ 255mm	Φ 288mm
Külső méretek (Sz x Mé x Ma):	440x357x259mm	485x405x293mm
Nettó súly:	Kb.11.4 kg	Kb. 13.0 kg

FONTOS BIZTONSÁGI UTASÍTÁSOK

FIGYELEM

A tűz, áramütés, személyi sérülések vagy a mikrohullámú sütő általi túlzott mértékű energiabocsátás kockázatának csökkentése érdekében a készülék használata során kövesse az alábbi alapvető óvintézkedéseket:

1. Olvassa el és kövesse a következő szakasz utasításait: „ÓVINTÉZKEDÉSEK AZ ESETLEGES TÚLZOTT MIKROHULLÁMÚ ENERGIABOCSÁTÁS ELKERÜLÉSE ÉRDEKÉBEN”.
2. Ezt a készüléket gyermekek, csökkent fizikai, érzékszervi vagy szellemi képességekkel rendelkező, illetve tapasztalattal és tudással nem rendelkező személyek csak felügyelet mellett használhatják, vagy olyan esetben, ha őket a készülék biztonságos használatára megtanították, és megértik az ezzel járó veszélyeket. A készülékkel gyermekek nem játszhatnak. A tisztítást és a felhasználói karbantartást nem szabad gyermekekre bízni, kivéve, ha felügyelet alatt állnak.
3. A készüléket és annak vezetékeit gyermekektől tartsa távol, kivéve, ha folyamatos felügyelet alatt állnak.
4. Ha a tápkábel megsérül, azt a gyártónak, egy szervizes kollégának vagy egy hasonlóan képzett személynek kell kicserélnie a veszély elkerülése érdekében.
5. FIGYELEM: A lehetséges áramütés elkerülése érdekében a lámpa cseréje előtt győződjön meg arról, hogy a készülék ki van kapcsolva.
6. FIGYELEM: Nem illetékes személyek számára veszélyes bármilyen szervizelési vagy javítási műveletet végrehajtani, amely magában foglalja a mikrohullámú energiának való kitettség elleni védelmet biztosító burkolat eltávolítását.
7. FIGYELEM: A folyadékokat és más ételeket nem szabad lezárt edényekben melegíteni, mivel azok felrobbanhatnak.
8. Ha műanyag vagy papír edényben melegíti az ételt, tartsa szemmel a sütőt a gyulladásveszély miatt.
9. Csak mikrohullámú sütőben használható edényeket használjon.
10. Ha füstölést tapasztal, kapcsolja ki vagy húzza ki a készüléket, és tartsa csukva az ajtót, hogy megakadályozza a belobbanást.
11. Az italok mikrohullámú melegítése képlettetett eruptív főzéshez vezethet, ezért a tartály kezelésénél óvatosan kell eljárni.
12. A cumisüvegek és a bébiételes edények tartalmát fogyasztás előtt fel kell keverni vagy fel kell rázni, és ellenőrizni kell a hőmérsékletét az égési sérülések elkerülése érdekében.
13. A héjukban lévő tojásokat és egész keménytojásokat nem szabad mikrohullámú sütőben melegíteni, mivel azok még a mikrohullámú melegítés befejezése után is felrobbanhatnak.
14. A sütőt rendszeresen meg kell tisztítani, és az élelmiszer-lerakódásokat el kell távolítani róla.
15. A sütő tiszta állapotban tartásának elmulasztása a felület károsodásához vezethet, ami hátrányosan befolyásolhatja a készülék élettartamát, és esetleg veszélyes helyzetet eredményezhet.
16. Csak az ehhez a sütőhöz ajánlott hőmérsékletszondát használja. (Olyan sütőkhöz, amelyek hőmérséklet-érzékelő szondával vannak ellátva.)
17. A mikrohullámú sütő nem helyezhető szekrénybe, kivéve, ha szekrényben használva tesztelték.
18. Ezt a készüléket háztartásokban és hasonló alkalmazási területeken történő használatra tervezték, például:
 - üzletek személyzeti konyháján, irodákban és más munkakörnyezetekben;
 - szállodákban, motelekben és más lakókörnyezetekben az ügyfelek általi használatra;
 - parasztházakban;
 - panzió típusú környezetekben történő használatra.
19. A mikrohullámú sütő ételek és italok melegítésére szolgál. Élelmiszerek vagy ruhák szárítása, valamint melegítőpárnák, papucsok, szivacsok, nedves ruhák és hasonlók melegítése sérülés-, gyulladás- vagy tűzveszélyes.
20. A mikrohullámú sütés során fémedényeket nem szabad használni az ételek és italok tárolására.
21. A készüléket nem szabad gőztisztítóval tisztítani.

22. A készüléket szabadon álló használatra tervezték.
23. A készülékek hátsó felületét a falhoz kell helyezni.
24. A készülékek nem üzemeltethetők külső időzítővel vagy külön távirányítóval.

OLVASSA EL FIGYELMESEN ÉS ŐRIZZE MEG KÉSŐBBI FELHASZNÁLÁS CÉLJÁBÓL

A személyi sérülések kockázatának csökkentése Földelés telepítése

VESZÉLY

Áramütés veszélye

Néhány belső alkatrész megérintése súlyos személyi sérülést vagy halált okozhat. Ne szerelje szét a készüléket.

FIGYELEM

Áramütés veszélye

A helytelen földelés áramütést okozhat.

Csak akkor csatlakoztassa csatlakozóaljzathoz, ha a készülék megfelelően összeszerelt és leföldelt állapotban van.

A készüléket le kell földelni. Elektromos rövidzárlat esetén a földelés csökkenti az áramütés kockázatát azáltal, hogy földelővezetékkel biztosít az elektromos áram számára.

A készülék egy olyan kábellel van felszerelve, amely egy védővezetékéből és egy földelődugóból áll. A csatlakozódugót egy megfelelően beszerelt és leföldelt csatlakozóaljzathoz kell csatlakoztatni.

Forduljon szakképzett villanyszerelőhöz vagy szakszervizhez, ha nem teljesen érti a földelésre vonatkozó utasításokat, vagy ha kétsége merül fel a készülék megfelelő földelésével kapcsolatban.

Ha hosszabbítókábelt kell használni, akkor kizárólag háromeres hosszabbítókábelt használjon.

1. A készülékhez rövid tápkábelt biztosítunk annak érdekében, hogy csökkentsük a hosszabb vezetékbe való belegabalyodás vagy megbotlás kockázatát.
2. Hosszú kábelkészlet vagy hosszabbítókábel használata esetén:
 - 1) A kábelkészlet vagy a hosszabbítókábel elektromosságra vonatkozó megjelölt névleges értéke legalább akkora kell legyen, mint a készülék névleges értéke.
 - 2) A hosszabbítókábelnek földelt, háromeres kábelnek kell lennie.
 - 3) A hosszú kábelt úgy kell elhelyezni, hogy ne a pulton vagy az asztallapon húzódjon keresztül, ahol gyermekek meghúzhatják vagy akaratlanul megbotolhatnak benne.

TISZTÍTÁS

Ne felejtse el kihúzni a készüléket az áramforrásból.

1. Használat után enyhén nedves ruhával tisztítsa meg a sütő belsejét.
2. A szokásos módon lúgos vízben tisztítsa meg a tartozékokat.
3. A szennyezett ajtókeretet, a tömítést és a környező részeket nedves ruhával gondosan meg kell tisztítani.
4. Ne használjon erős súrolószert vagy éles fémkaparót a sütőajtó üvegének tisztításához, mivel ezek megkarcolhatják a felületet, ami az üveg összetörését eredményezheti.
5. Tisztítási tipp --- A sütő belső falainak könnyebb tisztítása érdekében, amelyeket a főtt étel beszennyezhet: helyezzen egy fél citromot egy tálba, adjon hozzá 300 ml (1/2 pint) vizet, és melegítse maximális (100%-os) mikrohullámú teljesítményen 10 percig. Puha, száraz ruhával törölje tisztára a sütőt.

EDÉNYEK

FIGYELEM

Személyi sérülés veszélye

Nem illetékes személyek számára veszélyes bármilyen szervizelési vagy javítási műveletet végrehajtani, beleértve a mikrohullámú energiának való kitettség elleni védelmet biztosító burkolat eltávolítását is.

Lásd "A mikrohullámú sütőben használható, ill. elkerülendő anyagok listája" c. rész utasításait. Lehetnek olyan nemfémes edények is, amelyeket nem biztonságos a mikrohullámú sütőben használni. Ha kétségei vannak, tesztelheti a szóban forgó edényt az alábbi eljárással.

Edényteszt:

1. Töltsön meg egy mikrohullámú sütőben biztonságosan használható edényt 1 csésze hideg vízzel (250 ml), és tegye mellé a szóban forgó edényt.
2. Főzze maximális teljesítményen 1 percig.
3. Óvatosan tapintsa meg az edényt a kezével. Ha az üres edény meleg, ne használja mikrohullámú sütéshez.
4. Ne lépje túl az 1 perces főzési időt.

A mikrohullámú sütőben használható anyagok

Edények	Megjegyzések
Sütőtálak	Kövesse a gyártó utasításait. A sütőtál aljának legalább 5 mm-el a forgótányér felett kell elhelyezkednie. A helytelen használat a forgótányér összetörését okozhatja.
Evőeszközök	Csak mikrohullámú sütőben használható darabok. Kövesse a gyártó utasításait. Ne használjon repedt vagy kicsorbult edényeket.
Üvegedények	Mindig távolítsa el a fedelét. Csak ételmelegítésre használja, amíg épphogy csak felmelegszik. A legtöbb üvegedény nem hőálló, és eltörhet.
Üvegáru	Csak hőálló, sütőben használható üvegáruk. Ügyeljen arra, hogy ne legyen fémszegélye. Ne használjon repedt vagy kicsorbult edényeket.
Sütőzacskók	Kövesse a gyártó utasításait. Ne fémkötözővel zárja le. Vágjon bele hasítékokat, hogy a gőz távozni tudjon.
Papírtálcák és -csészék	Csak rövid ideig tartó sütéshez/melegítéshez használja. Sütés közben ne hagyja felügyelet nélkül a sütőt.
Papírtörlok	Az étel újramelegítés közbeni lefedésére és a zsír felszívására használja. Csak rövid ideig tartó sütéshez használja, felügyelet mellett.
Sütőpapír (pergamenpapír)	Használja fedőként fröccsenés megelőzésére vagy a gőz visszatartására.
Műanyag	Csak mikrohullámú sütőben használható darabok. Kövesse a gyártó utasításait. "Mikrohullámú sütőben biztonságos" felirattal kell ellátva legyen. Néhány műanyag edény megpuhul, amint a bennük lévő étel felmelegszik. A "főzőtasakokat" és a szorosan zárt műanyag zacskókat fel kell hasítani, át kell szűrni vagy ki kell lyukasztani a csomagolás utasításai szerint.
Folpack fólia	Csak mikrohullámú sütőben használható darabok. Használja az étel lefedésére sütés közben a nedvesség megtartása érdekében. Ne engedje, hogy a folpack fólia hozzáérjen az ételekhez.
Viaszpapír	Használja fedőként a fröccsenés megelőzésére és a nedvesség megtartására.

Mikrohullámú sütőben kerülendő anyagok

Edények	Megjegyzések
Alumíniumtálca	Elektromos kisülést okozhat. Tegye át az ételt mikrohullámú sütőben használható edénybe.
Ételtartó kartondoboz fém fogantyúval	Elektromos kisülést okozhat. Tegye át az ételt mikrohullámú sütőben használható edénybe.
Fém vagy fémszegélyű edények	A fém megvédi az ételt a mikrohullámú energiától. A fémszegély elektromos kisülést okozhat.
Fém kötőzsinórok	Elektromos kisülést és tüzet okozhatnak a sütőben.
Papírzacskók	Tüzet okozhatnak a sütőben.
Műanyaghab	A műanyaghab, ha magas hőmérsékletnek van kitéve, megolvadhat vagy beszennyezheti a benne lévő folyadékot.
Fa	A fa a mikrohullámú sütőben használva kiszárad, és meghasadhat vagy megrepedhet.

BEÁLLÍTÁS ÉS TELEPÍTÉS

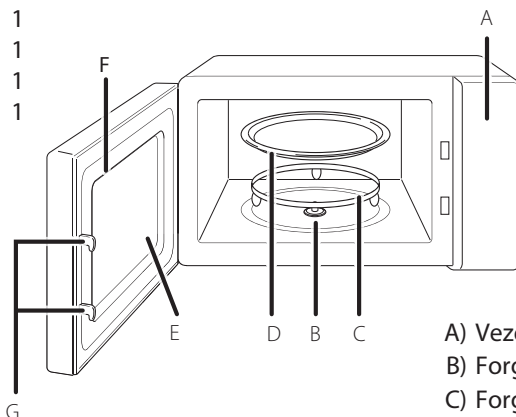
A SÜTŐ BEÁLLÍTÁSA

A sütő alkatrészeinek és tartozékainak megnevezése

Vegye ki a sütőt és az összes anyagot a dobozból és a sütő belsejéből.

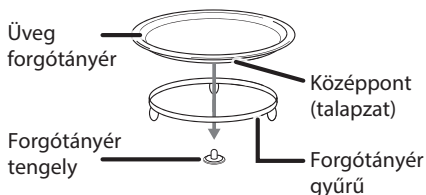
A sütő a következő kiegészítőket tartalmazza:

Üveg forgótányér	1
Forgótányér gyűrű	1
Forgótányér tengely	1
Használati útmutató	1



- A) Vezérlőpanel
- B) Forgótányér tengely
- C) Forgótányér gyűrű
- D) Üveg forgótányér
- E) Megfigyelőablak
- F) Ajtó
- G) Biztonsági zárrendszer

Forgótányér összeszerelése



- a. Soha ne helyezze az üveg forgótányért fejjel lefelé. Kövesse az utasításokat, és helyezze az üveg forgótányért a forgótányér gyűrűre a megfelelő irányban. Az üveg forgótányérnak elakadás nélkül kell forognia.
- b. A sütés során mindig használni kell az üveg forgótányért és a forgótányér gyűrűt.
- c. A megfőzni kívánt összes ételt és az ételeket tartalmazó edényeket mindig az üveg forgótányérra helyezzük.
- d. Ha az üveg forgótányér vagy a forgótányér gyűrű megreped vagy eltörik, forduljon a legközelebbi hivatalos szervizközponthoz.

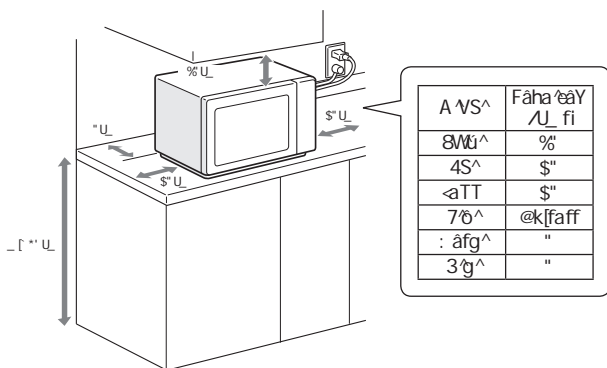
Munkapultra szerelés

Fáha ffeá `W_ [VV Uea_ SYa`bS` kSYaf éefSfal é] afZH] eYá^S_ W1 ZaYk` [Ue`ZVédu`éeS euf` h`bé`Vág^ZadbSVáea] hSYk ZaYk SI SYö` W_ fôdbff`ZV@Wd Vd/WVbêd VVZSSeuf eédú`fz

El VVd` k, Fáha ffeSWS_ [] dbZg`a_ ø euf` XWú`Vfé` fS`á`ZSfö` héV` Xb`fáZ` @Wfáha ffeSWS h[`áYaeTSd S? [USUe[`a_ `Sbafi S_ WkVVS euf` TWVéTWVd eifWVVS _SY` VVd` héVW_ édv`

Beszerezés

#Zhá`Seel`a` W`k`e] XWú`VWV`S_ Wk`WVWV` d`STSV`fVd`VT`I` faef`STV`Z`éd`hSYk`S`]`[`WVW`[d`W`I` `kí`áea] d`á_`ádsZ`



/#fi3`_`[`[`á`feTWé`biféé`_`SYSeeáY`**`U`_`Z`
/\$fi3`]`éd`ú`é]`V`Z`afeö`XWú`Vfé`f`S`X`Z`al`]`W`Z`V`k`W` [Z`
: SYk`a` `VVS`áTT`%`U`_`d`STSV`Z`W`k`V`S`euf` XWV`f`S`euf` ée`Sel`a`_`d`é`Vae`X`S`S`
]`ö`l`ö`ff`b`W`[Y` `VVS`áTT`\$`" `U`_`d`STSV` fáha`eaY`d`S`h`S`_`d`ú`]`eé`Y`Z`

/#fi@Wfáha ffeSWS`áTS`Sf`S`euf` S`^`ab`Z`
/&fi3`TV`Z`éd`hSYk`]`[`WVW`[d`W`I` `kí`áea]` W`X`W`éé`W`á`d`e`f`Z`S`f`S`S`euf` fZ`
/`fi3` euf` f`S`d`V`[ö`fö`^`ée`S`F`H`Z` ^`S` V`Z`V` V`f`áha`STT`d`S`W`k`V`I` W`V`Z`3`_`[]`dbZg`a_`ø`euf`
_`]`ö`V`éé`W`Sh`S`Z`S`f`S`S`d`V`[ö`hSYk`S`F`H`V`h`é`f`V`é`f`Z`

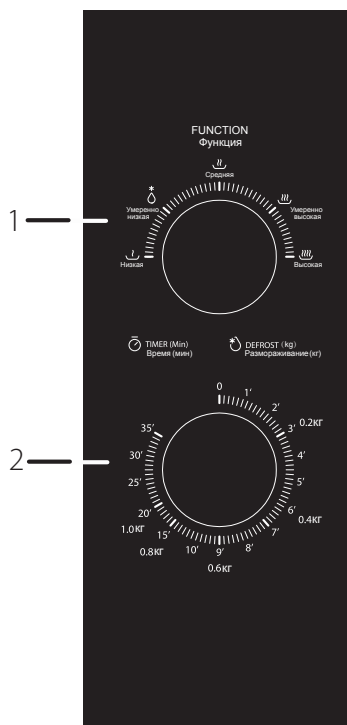
\$Z5eSf`S`al`f`See`S`euf` f`W`k`e`l`S`Th`a` kae`Z`ál`f`S`f`áe`[`Ue`S`f`S`]`al`ö`S`^`S`f`T`S`Z`Y`Y`k`W`V`V` S`d`B`I`ZaYk`
S`X`V`d`ú`f`ee`Y`éé`S`X`d`Y`h`W`U`[S`_`W`V`W`k`V`I`W`S`I`W`V`d`[S`X`V`Z`S`e`l`_`á`áec`d`g`f`S`ö`U`_`]`é`
XWú` fVWV`f`X`d`ú`f`ee`Y`Y`W`éé`X`d`Y`h`W`U`[á`h`S`Z`

89K7>?` ,`@VZ`W`k`V`I`W`S`euf` f`f`I`Z`W`k`d`W`X`I` `S`b`d`h`SYk`_`áe`Z` f`V`d`_`W`]`éd`ú`é]`d`V`Z` :`S`
Z` X`d`t`áe`]`ö`l`W`é`T`W` hSYk` XWV`f`Z`W`k`V`[]` V`S`euf` _`W`eédú`Z`V`f`éé`S`Y`S`d`S` U`[S`
é`ché` k`é`f`h`V`d` f`Z`

3`Z`al`I`á`é`d`Z`V` XWú`V`_`]`ö`V`éé`]`ö`l`TW` XW`d`t`b`ea`V`Z`S`f`Z`



ÜZEMELTETÉS



1. POWER gomb
2. IDŐZÍTŐ gomb

- A sütési teljesítmény beállításához forgassa a POWER gombot a kívánt fokozatra.
- A sütés idejének beállításához forgassa el az IDŐZÍTŐ gombot a kívánt időre az ételfőzési útmutató szerint.
- A mikrohullámú sütő a teljesítményszint és az idő beállítása után automatikusan elkezdi a sütést.
- A sütési idő lejáta után a sütő sípolva leáll.
- Ha a sütő nincs használatban, az időt mindig állítsa "0"-ra.

Funkció/Energiafokozat	Teljesítmény	Alkalmazás
Alacsony	17% mikro.	Jégkrém puhítása
Köz. Alacsony (kiolvasztás)	33% mikro.	Leves, pörkölt, vaj puhítása vagy kiolvasztás
Köz.	55% mikro.	Pörkölt, hal
Köz. Magas	77% mikro.	Rizs, hal, csirke, darált hús
Magas	100% mikro.	Melegítés, tej, forralt víz, zöldségek, italok

Megjegyzés: Ha ételt vesz ki a sütőből, győződjön meg arról, hogy a sütő áramellátása kikapcsol, az időzítő kapcsoló 0 (nulla) állásba fordításával. Ennek elmulasztása és a mikrohullámú sütő étel nélküli működtetése túlmelegedést és a magnetron károsodását eredményezheti.

HIBAELHÁRÍTÁS

Normáli	
A mikrohullámú sütő zavarja a TV jelvétele	A mikrohullámú sütő működés közben zavarhatja a rádió és a TV jelvétele. Interferenciája hasonló a kis elektromos készülékek, például turmixgép, porszívó és elektromos ventilátor interferenciájához. Ez normális jelenség.
Halvány sütővilágítás	Kis teljesítményű mikrohullámú sütésnél a sütő fénye elhalványulhat. Ez normális jelenség.
Gőz gyűlik össze az ajtón, forró levegő áramlik a szellőzőnyílásokból	A sütés során gőz távozhat az ételből. Ennek nagy része a szellőzőnyílásokon keresztül távozik. De egy része olyan hűvös helyen halmozódhat fel, mint a sütő ajtaja. Ez normális jelenség.
A sütő véletlenül elindul, amikor nincsen benne étel.	Tilos az eszközt úgy üzemeltetni, hogy nincsen benne étel. Ez nagyon veszélyes.

Probléma	Lehetséges ok	Megoldás
A sütőt nem lehet elindítani.	(1) A tápkábel nincs jól csatlakoztatva.	Húzza ki az áramforrásból. 10 másodperc után csatlakoztassa újra.
	(2) A biztosíték kiolvadt vagy a kismegszakító működésbe lépett.	Cserélje ki a biztosítékot vagy állítsa alaphelyzetbe a kismegszakítót (cégünk szakemberei javítják)
	(3) A csatlakozóaljzat meghibásodott.	Ellenőrizze a csatlakozóaljzatot megfelelnek az egys más elektromos készülékekkel.
A sütő nem melegszik fel.	(4) Az ajtó nincs jól becsukva.	Jól csukja be az ajtót.

TOSHIBA



Kuchenka Mikrofalowa

INSTRUKCJA OBSŁUGI

Model:

MW2-MM20PF(BK)

MW2-MM23PF(BK)

Przeczytaj uważnie niniejszą instrukcję przed użyciem kuchenki mikrofalowej i zachowaj ją na przyszłość.

Postępując zgodnie z instrukcjami, kuchenka będzie służyć Ci przez wiele lat.

ZACHOWAJ INSTRUKCJĘ DO UŻYTKU W PRZYSZŁOŚCI

Polski

SPIS TREŚCI

SPIS TREŚCI	1
ŚRODKI OSTROŻNOŚCI.....	2
SPECYFIKACJE.....	2
INSTRUKCJE DOTYCZĄCE BEZPIECZEŃSTWA	3-4
CZYSZCZENIE.....	5
NACZYNIA	5-6
USTAWIENIE I INSTALACJA	7-8
OBSŁUGA.....	9
ROZWIĄZYWANIE PROBLEMÓW.....	10

ŚRODKI OSTROŻNOŚCI

ŚRODKI OSTROŻNOŚCI W CELU UNIKNIĘCIA NARAŻENIA NA NADMIERNE PROMIENIOWANIE MIKROFALOWE

- (a) Nie należy włączać kuchenki przy otwartych drzwiczkach, ponieważ może to skutkować narażeniem na szkodliwą energię mikrofalową. Nie wolno uszkodzać ani ingerować w blokadę bezpieczeństwa.
- (b) Nie wolno umieszczać przedmiotów pomiędzy frontem kuchenki a drzwiczkami ani pozwalać, aby pozostałości środków czyszczących gromadziły się na powierzchniach uszczelniających.
- (c) OSTRZEŻENIE: Jeśli drzwiczki lub uszczelki drzwiczek są uszkodzone, kuchenki nie wolno uruchamiać, dopóki nie zostanie naprawiona przez kompetentną osobę.

UWAGA

Jeśli urządzenie nie jest utrzymywane w czystości, jego powierzchnia może ulec zniszczeniu, co wpłynie na trwałość urządzenia i może skutkować niebezpieczeństwem.

SPECYFIKACJE

Model:	MW2-MM20PF(BK)	MW2-MM23PF(BK)
Napięcie znamionowe:	230-240V~50Hz	230-240V~50Hz
Pobór Mocy (kuchenka mikrofalowa):	1200-1270W	1200-1250W
Znamionowa Moc Wyjściowa (kuchenka mikrofalowa):	750-800W	750-800W
Pojemność Kuchenki:	20L	23L
Średnica Płyty Obrotowej:	Φ 255mm	Φ 288mm
Wymiary Zewnętrzne (szer. x gł. x wys.):	440x357x259mm	485x405x293mm
Waga Netto:	Około 11.4 kg	Około 13.0 kg

INSTRUKCJE DOTYCZĄCE BEZPIECZEŃSTWA

OSTRZEŻENIE

Aby zmniejszyć ryzyko pożaru, porażenia prądem, urazów lub narażenia na nadmierne promieniowanie mikrofalowe podczas korzystania z urządzenia, należy przestrzegać podstawowych środków ostrożności, w tym:

1. Zapoznaj się i postępuj zgodnie ze: „ŚRODKAMI OSTROŻNOŚCI W CELU UNIKNIĘCIA NARAŻENIA NA ENERGIĘ MIKROFALOWĄ”.
2. Urządzenia mogą używać dzieci i osoby o ograniczonych zdolnościach fizycznych, zmysłowych lub umysłowych, lub nieposiadające doświadczenia pod warunkiem, że są one nadzorowane lub zostały pouczone na temat bezpiecznego użytkowania oraz są świadome związanego z tym ryzyka. Dzieci nie mogą bawić się urządzeniem. Czyszczenie i konserwacja nie mogą być wykonywane przez dzieci, chyba że są one pod nadzorem.
3. Urządzenie i przewód zasilający należy trzymać z dala od dzieci, chyba że są one pod stałym nadzorem.
4. Jeśli przewód zasilający jest uszkodzony, aby uniknąć zagrożenia musi on zostać wymieniony przez producenta lub autoryzowany serwis.
5. OSTRZEŻENIE: Przed wymianą lampy należy upewnić się, że urządzenie jest odłączone od zasilania, aby uniknąć porażenia prądem.
6. OSTRZEŻENIE: Wykonywanie konserwacji lub napraw, wymagających zdjęcia osłony chroniącej przed promieniowaniem mikrofalowym, jest niebezpieczne dla kogokolwiek innego niż kompetentna osoba.
7. OSTRZEŻENIE: Płyny i inna żywność nie mogą być podgrzewane w szczelnie zamkniętych pojemnikach z uwagi na ryzyko wybuchu.
8. Podczas podgrzewania potraw w plastikowych lub papierowych pojemnikach należy uważać na piekarnik ze względu na możliwość zapłonu.
9. Używać tylko przyborów kuchennych przystosowanych do użytku w kuchenkach mikrofalowych.
10. W razie pojawienia się dymu, wyłączyć urządzenie lub wyjąć wtyczkę z gniazdka i pozostawić zamknięte drzwiczki w celu stłumienia płomieni.
11. Podgrzewanie napojów w kuchenke może powodować opóźnione, gwałtowne wrzenie, dlatego należy ostrożnie obchodzić się z naczyniem.
12. Zawartość butelek do karmienia i słoiczków z jedzeniem dla niemowląt należy wymieszać lub wstrząsnąć, a przed spożyciem sprawdzić temperaturę, aby uniknąć poparzeń.
13. Jaj w skorupkach i całych jajek gotowanych na twardo nie należy podgrzewać w kuchenkach mikrofalowych, ponieważ mogą eksplodować nawet po zakończeniu podgrzewania.
14. Kuchenkę należy regularnie czyścić i usuwać wszelkie resztki żywności.
15. Nieutrzymywanie kuchenki w czystości może prowadzić do pogorszenia stanu powierzchni, co może niekorzystnie wpłynąć na trwałość urządzenia i skutkować niebezpieczeństwem.
16. Należy używać wyłącznie sondy temperatury zalecanej dla tej kuchenki. (W przypadku kuchenek z możliwością użycia sondy temperatury).
17. Kuchenki mikrofalowej nie należy umieszczać w szafce, jeśli nie została przetestowana pod tym kątem.
18. Urządzenie przeznaczone jest do użytku domowego lub podobnych zastosowań:
 - kuchnie dla personelu w sklepach, biurach i innych miejscach pracy;
 - dla klientów hoteli, moteli i innych miejsc zakwaterowania,
 - gospodarstwa,
 - zajazdy.
19. Kuchenka mikrofalowa jest przeznaczona do podgrzewania potraw i napojów. Suszenie żywności lub odzieży oraz ogrzewanie poduszek rozgrzewających, kapci, gąbek, wilgotnej ścierki itp. Może prowadzić do obrażeń, zapłonu lub pożaru.
20. Podczas gotowania w kuchenke mikrofalowej nie wolno używać metalowych pojemników na żywność i napoje.
21. Urządzenia nie należy czyścić myjką parową.

22. Urządzenie jest przeznaczone do użytku wolnostojącego.
23. Tylna powierzchnia urządzenia powinna być skierowana do ściany.
24. Urządzenie nie jest przeznaczone do użytku zewnętrznym zegarem lub oddzielnym systemem zdalnego sterowania.

PRZECZYTAJ UWAŻNIE I ZACHOWAJ DO WGLĄDU W PRZYSZŁOŚCI

Aby zmniejszyć ryzyko urazów należy podłączyć urządzenie do uziemienia

NIEBEZPIECZEŃSTWO

Niebezpieczeństwo Porażenia Prądem

Dotknięcie niektórych elementów wewnętrznych może spowodować poważne urazy lub śmierć. Nie wolno demontować tego urządzenia.

OSTRZEŻENIE

Niebezpieczeństwo Porażenia Prądem

Nieprawidłowe uziemienie może skutkować porażeniem prądem.

Nie podłączać do gniazdka, dopóki urządzenie nie zostanie prawidłowo zainstalowane i uziemione.

To urządzenie wymaga uziemienia. W przypadku zwarcia uziemienie zmniejsza ryzyko porażenia prądem, zapewniając przewód odprowadzający prąd elektryczny. To urządzenie jest wyposażone w kabel z przewodem uziemiającym oraz wtyczką z uziemieniem. Wtyczkę należy podłączyć do prawidłowo zainstalowanego i uziemionego gniazdka.

Skonsultuj się z wykwalifikowanym elektrykiem lub serwisantem, jeśli instrukcje dotyczące uziemienia nie są w pełni zrozumiałe lub w razie wątpliwości, czy urządzenie jest prawidłowo uziemione.

Jeśli konieczne jest użycie przedłużacza, używaj tylko przedłużacza 3-żyłowego.

1. Do urządzenia dołączony jest krótki przewód zasilania w celu zmniejszenia ryzyka zapłątania się lub potknięcia o dłuższy przewód.
2. Jeśli używany jest długi zespół przewodów lub przedłużacz:
 - 1) Oznaczone parametry elektryczne przewodu lub przedłużacza powinny być przynajmniej zgodne z parametrami urządzenia.
 - 2) Przedłużacz musi być 3-żyłowym przewodem z uziemieniem.
 - 3) Dłuższy przewód powinien być tak ułożony, aby nie zwisał z blatu lub stołu, gdzie może być pociągnięty przez dzieci lub można się o niego potknąć.

CZYSZCZENIE

Pamiętaj, aby odłączyć urządzenie od zasilania.

1. Po użyciu wyczyść komorę kuchenki lekko zwilżoną szmatką.
2. Akcesoria czyść w zwykły sposób w wodzie z płynem do mycia.
3. Ramę i uszczelkę drzwiczek oraz sąsiadujące części należy dokładnie wyczyścić wilgotną ścierką, jeśli są zabrudzone.
4. Nie należy używać agresywnych, ciernych środków czyszczących ani ostrych, metalowych skrobaków do czyszczenia szyby drzwiczek kuchenki, ponieważ mogą one zarysować powierzchnię, co grozi uszkodzeniem szyby.
5. Wskazówka dot. Czyszczenia --- Aby ułatwić czyszczenie ścian komory mających styczność z przyrządzaną żywnością: Umieść pół cytryny w misce, dodaj 300 ml (1/2 kwarty) wody i podgrzewaj w 100% mocy kuchenki przez 10 minut. Wytrzyj piekarnik do czysta miękką, suchą ścierką.

NACZYNIA I SZTUĆCE

OSTRZEŻENIE

Ryzyko Urazu

OSTRZEŻENIE: Wykonywanie konserwacji lub napraw, wymagających zdjęcia osłony chroniącej przed promieniowaniem mikrofalowym, jest niebezpieczne dla kogokolwiek innego niż osoba wykwalifikowana.

Patrz instrukcje „Materiały do użytku w kuchenkach mikrofalowych, i których stosowania należy unikać”. Istnieją niemetalowe przybory, których nie można bezpiecznie używać w kuchence mikrofalowej. W razie wątpliwości dane naczynie można przetestować postępując zgodnie z poniższą procedurą.

Test Naczyni:

1. Napełnij pojemnik nadający się do kuchenek mikrofalowych 1 szklanką zimnej wody (250 ml) wraz z testowanym naczyniem.
2. Gotuj z maksymalną mocą przez 1 minutę.
3. Ostrożnie dotknij naczynia. Jeśli puste naczynie jest ciepłe, nie używaj go do gotowania w kuchence mikrofalowej.
4. Nie przekraczaj 1 minuty czasu gotowania.

Materiały, których można używać w kuchence mikrofalowej

Naczynia	Uwagi
Naczynie do przyrumieniania	Stosować się do zaleceń producenta. Dno naczynia musi znajdować się przynajmniej 3/16 cala (5 mm) nad płytą obrotową. Nieprawidłowe użytkowanie może spowodować pęknięcie płyty.
Serwis stołowy	Tylko przystosowane do kuchenek mikrofalowych. Stosować się do zaleceń producenta. Nie używać popękanych lub wyszczerbionych naczyń.
Słoiki szklane	Zawsze zdejmować pokrywkę. Używać tylko do podgrzewania potraw, aż będą ciepłe. Większość szklanych słoików nie jest żaroodporna i może pęknąć.
Naczynia szklane	Tylko żaroodporne szkło do piekarnika. Nie może posiadać metalowego wykończenia. Nie używać popękanych lub wyszczerbionych naczyń.
Woreczki do pieczenia	Stosować się do zaleceń producenta. Nie zamykać metalową opaską. Wykonać nacięcia, aby para mogła uciec.
Talerze i kubki papierowe	Używać tylko do krótkotrwałego gotowania / podgrzewania. Podczas gotowania nie zostawiać kuchenki bez nadzoru.
Ręczniki papierowe	Do przykrywania potraw w celu odgrzania i wchłonięcia tłuszczu. Używać pod nadzorem tylko do krótkotrwałego gotowania.
Papier do pieczenia	Używać jako przykrycia, aby zapobiec rozpryskiwaniu, lub owinięcia podczas gotowania na parze.
Plastik	Tylko przystosowane do kuchenek mikrofalowych. Stosować się do zaleceń producenta. Powinien być oznaczony jako „Do użytku w kuchence mikrofalowej”. Niektóre plastikowe pojemniki mięknią, gdy żywność w środku nagrzewa się. „Woreczki do gotowania” i szczelnie zamknięte torby plastikowe powinny być rozcięte, przebite lub rozszczelnione zgodnie z instrukcją na opakowaniu.
Folia plastikowa	Tylko przystosowane do kuchenek mikrofalowych. Do przykrywania potraw podczas gotowania w celu zatrzymania wilgoci. Folia nie może dotykać żywności.
Papier woskowany	Używać jako osłony, aby zapobiec rozpryskiwaniu i zatrzymać wilgoć.

Materiały, których należy unikać w kuchence mikrofalowej

Naczynia	Uwagi
Taca aluminiowa	Może powodować iskrzenie. Przełóż żywność do naczynia bezpiecznego dla kuchenek mikrofalowych.
Karton na żywność z metalowym uchwytem	Może powodować iskrzenie. Przełóż żywność do naczynia bezpiecznego dla kuchenek mikrofalowych.
Naczynia metalowe lub z metalowym wykończeniem	Metal osłania żywność przed promieniowaniem mikrofalowym. Metalowe wykończenia mogą powodować iskrzenie.
Metalowe opaski	Może spowodować iskrzenie i pożar w kuchence.
Worki papierowe	Mogą wywołać ogień w kuchence.
Pianka plastikowa	Pianka z plastikowa pod wpływem wysokiej temperatury może stopić się lub zanieczyścić znajdującą się w środku ciecz.
Drewno	Drewno wysycha w kuchence mikrofalowej i może rozwarstwiać się lub pękać.

USTAWIENIE I INSTALACJA

USTAWIANIE KUCHENKI

Nazwy części i akcesoriów kuchenki

Wymij kuchenkę i wszystkie materiały z kartonu i komory kuchenki.

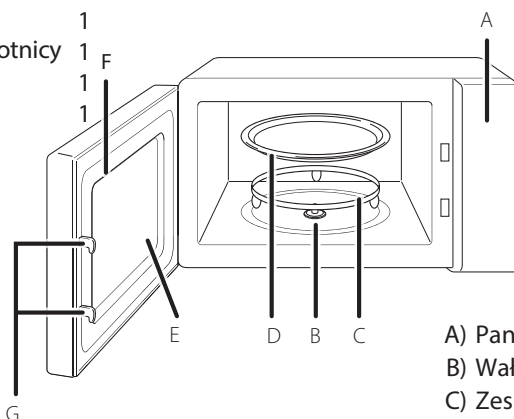
Kuchenka jest wyposażona w następujące akcesoria:

Szklana taca

Zespół pierścienia obrotowej

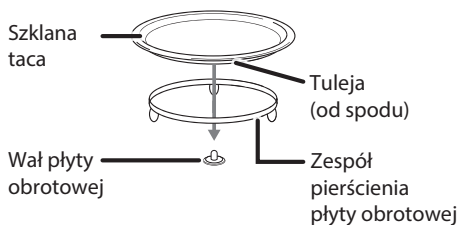
Wał płyty obrotowej

Instrukcja Obsługi



- A) Panel sterowania
- B) Wał płyty obrotowej
- C) Zespół pierścienia płyty obrotowej
- D) Szklana taca
- E) Okienko
- F) Zespół drzwiczek
- G) System blokady bezpieczeństwa

Instalacja płyty obrotowej



- a. Nigdy nie stawiaj szklanej tacy spodem do góry. Postępując zgodnie z instrukcją umieść szklaną tackę na pierścieniu obrotowym w prawidłowym kierunku. Szklana taca powinna się płynnie obracać.
- b. Podczas gotowania należy zawsze używać szklanej tacy i zespołu pierścienia obrotowego.
- c. Żywność i pojemniki z żywnością na czas gotowania umieszczają na szklanej tacy.
- d. W przypadku uszkodzenia szklanej tacy lub zespołu pierścienia obrotowego, skontaktuj się z najbliższym autoryzowanym centrum serwisowym.

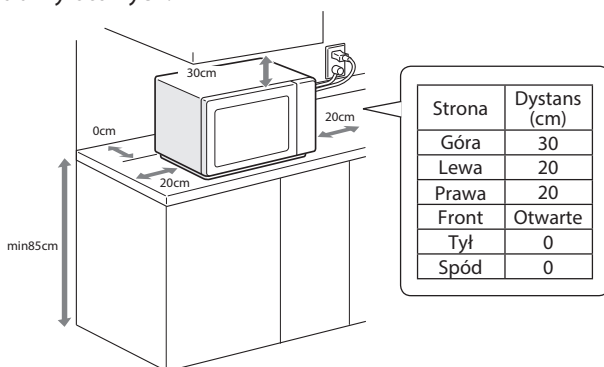
Instalacja na blacie

Usuń wszystkie elementy opakowania i akcesoria. Sprawdź kuchenkę pod kątem uszkodzeń, takich jak wgniecenia lub wyłamane drzwiczki. Nie instalować, jeśli kuchenka jest uszkodzona.

Obudowa: Usuń folię ochronną znajdującą się na powierzchni obudowy kuchenki mikrofalowej. Nie zdejmuj jasnobrązowej osłony mikowej przymocowanej do komory kuchenki w celu ochrony magnetronu.

Instalacja

1. Wybierz równą powierzchnię, która zapewnia wystarczająco dużo otwartej przestrzeni dla otworów wlotowych i / lub wylotowych.



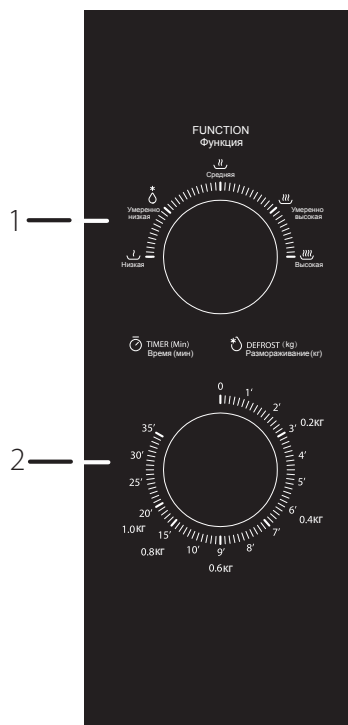
- (1) Minimalna wysokość montażu to 85 cm.
 - (2) Tylna powierzchnia urządzenia powinna być skierowana do ściany. Pozostaw minimalny odstęp 30 cm nad kuchenką; minimalny odstęp 20 cm między kuchenką a sąsiednimi ścianami.
 - (3) Nie zdejmuj nóżek ze spodu kuchenki.
 - (4) Blokowanie otworów wlotowych i / lub wylotowych może spowodować uszkodzenie kuchenki.
 - (5) Ustaw kuchenkę jak najdalej od radia i telewizora. Działanie kuchenki mikrofalowej może powodować zakłócenia odbioru radia lub telewizji.
2. Podłącz kuchenkę do standardowego gniazdka domowego. Upewnij się, że napięcie i częstotliwość są zgodne z podanymi na tabliczce znamionowej.

OSTRZEŻENIE: Nie instaluj kuchenki nad płytą kuchenną lub innym urządzeniem wytwarzającym ciepło. Zainstalowanie jej w pobliżu lub nad źródłem ciepła może spowodować uszkodzenie kuchenki i unieważnienie gwarancji.

Powierzchnie zewnętrzne mogą być gorące podczas pracy.



OBSŁUGA



1. Pokrętko POWER (MOC)
2. Pokrętko TIMER (ZEGAR)

- Aby ustawić moc gotowania, obróć pokrętko POWER dożądanego poziomu.
- Aby ustawić czas gotowania, obróć pokrętkiem TIMER do wymaganego czasu gotowania według zaleceń.
- Kuchenka mikrofalowa automatycznie rozpocznie gotowanie po ustawieniu poziomu mocy i czasu.
- Po upływie czasu gotowania urządzenie zatrzyma się i wybrzmi „Dzwonek”.
- Jeśli urządzenie nie jest używane, zawsze ustawiaj czas na „0”.

Funkcja / Moc	Wydajność	Zastosowania
Niska	17% mikro.	Zmiękczenie lodów
Śr. Niska (rozmrzanie)	33% mikro.	Duszenie zupy, zmiękczenie masła lub rozmrzanie
Śr.	55% mikro.	Duszenie, Ryba
Śr. Wysoka	77% mikro.	Ryż, Ryba, Kurczak, Mięso Mielone
Wysoka	100% mikro.	Odgrywanie, mleko, gotowanie wody, warzywa, napoje

Uwaga: Podczas wyjmowania potraw z kuchenki należy upewnić się, że jest ona wyłączona, ustawiając wyłącznik czasowy na 0 (zero). Niezastosowanie się do tego zalecenia i uruchomienie kuchenki mikrofalowej bez żywności w środku może spowodować przegrzanie i uszkodzenie magnetronu.

ROZWIĄZYWANIE PROBLEMÓW

Normalne	
Kuchenka mikrofalowa zakłóca odbiór TV	Sygnal radiowy i telewizyjny może być zakłócony przez pracę kuchenki mikrofalowej. Jest to zbliżone do zakłóceń małych urządzeń elektrycznych, takich jak mikser, odkurzacz i wentylator elektryczny. Jest to normalne.
Słabe światło kuchenki	Podczas gotowania przy niskiej mocy, światło w kuchenke może być słabe. Jest to normalne.
Nagromadzenie pary na drzwiczkach, gorące powietrze z wywietrzników	Podczas gotowania z żywności może wydobywać się para. Większość odprowadzana jest przez wywietrzniki. Część skrapla się na chłodnych powierzchniach, jak drzwiczki kuchenki. Jest to normalne.
Kuchenka uruchomił się przypadkowo bez jedzenia.	Zabrania się uruchamiania urządzenia bez jedzenia w środku. Jest to bardzo niebezpieczne.

Problem	Możliwa przyczyna	Rozwiązanie
Nie można uruchomić kuchenki.	(1) Przewód zasilający nie jest dobrze podłączony.	Odłączyć. Następnie podłączyć ponownie po 10 sekundach.
	(2) Przepalony bezpiecznik lub załączony wyłącznik obwodu.	Wymień bezpiecznik lub zresetuj wyłącznik obwodu (naprawa wykonywana przez wykwalifikowany personel naszej firmy)
	(3) Problem z gniazdkiem.	Sprawdź gniazdko z innymi urządzeniami elektrycznymi.
Kuchenka nie grzeje.	(4) Drzwiczki nie są dobrze zamknięte.	Domknij drzwiczki.

TOSHIBA



Микроволновая печь
РУКОВОДСТВО ПО ЭКСПЛУАТАЦИИ

Модель:

MW2-MM20PF(BK)
MW2-MM23PF(BK)

Русский

Внимательно прочитайте эти инструкции перед началом эксплуатации микроволновой печи и сохраните их для дальнейшего использования.

При соблюдении инструкции ваша печь будет хорошо служить вам много лет.

СОХРАНИТЕ ЭТИ ИНСТРУКЦИИ

СОДЕРЖАНИЕ

СОДЕРЖАНИЕ.....	1
МЕРЫ ПРЕДОСТОРОЖНОСТИ.....	2
ТЕХНИЧЕСКИЕ ХАРАКТЕРИСТИКИ.....	2
ВАЖНЫЕ ИНСТРУКЦИИ ПО БЕЗОПАСНОСТИ.....	3-4
ОЧИСТКА.....	5
ПОСУДА.....	5-6
УСТАНОВКА.....	7-8
ПАНЕЛЬ УПРАВЛЕНИЯ	9
ЭКСПЛУАТАЦИЯ	10
УСТРАНЕНИЕ НЕИСПРАВНОСТЕЙ.....	11

МЕРЫ ПРЕДОСТОРОЖНОСТИ

МЕРЫ ПРЕДОСТОРОЖНОСТИ ВО ИЗБЕЖАНИЕ КОНТАКТА С ИЗЛИШНИМ КОЛИЧЕСТВОМ МИКРОВОЛНОВОЙ ЭНЕРГИИ

- (a) Не пытайтесь использовать микроволновую печь с открытой дверью, так как это может привести к вредному воздействию микроволновой энергии. Не ломайте и не нарушайте целостность защитной блокировки.
- (b) Не помещайте никакие предметы между передней панелью и дверью печи и не давайте осадку от чистящих средств накапливаться на герметизирующих поверхностях.
- (c) **ВНИМАНИЕ:** если дверь или ее уплотнение повреждены, не пользуйтесь печью до тех пор, пока ее не отремонтирует квалифицированный работник.

ДОПОЛНЕНИЕ

Если не поддерживать достаточную чистоту устройства, его поверхность может испортиться, что может повлиять на срок службы устройства и даже вызвать опасную ситуацию.

ТЕХНИЧЕСКИЕ ХАРАКТЕРИСТИКИ

Модель:	MW2-MM20PF(ВК)	MW2-MM23PF(ВК)
Номинальное напряжение:	230-240 В, 50 Гц	230-240 В, 50 Гц
Потребляемая мощность (микроволны):	1200-1270 Вт	1200-1250 Вт
Номинальная выходная мощность (микроволны):	750-800 Вт	750-800 Вт
Емкость печи:	20 л	23 л
Диаметр поворотной платформы:	Φ 255 мм	Φ 288 мм
Внешние габариты (Ширина x Длина x Высота):	440x357x259 мм	485x405x293 мм
Чистый вес:	Около 11,4 кг	Около 13,0 кг

ВАЖНЫЕ ИНСТРУКЦИИ ПО БЕЗОПАСНОСТИ

ВНИМАНИЕ

Для снижения риска пожара, поражения электрическим током, травм или излишнего воздействия энергии микроволновой печи при использовании вашего устройства соблюдайте базовые меры безопасности, включая следующие:

1. Прочитайте и подробно следуйте: «МЕРАМ ПРЕДОСТОРОЖНОСТИ ВО ИЗБЕЖАНИЕ ВОЗДЕЙСТВИЯ ИЗЛИШНЕГО КОЛИЧЕСТВА МИКРОВОЛНОВОЙ ЭНЕРГИИ».
2. Устройство может использоваться детьми и людьми с ограниченными физическими, сенсорными или умственными возможностями или недостатком опыта и знаний под надзором и после инструктажа о безопасных способах использования устройства и при условии понимания вовлеченных рисков. Дети не должны играть с устройством. Чистка и пользовательское обслуживание не должно производиться детьми без присмотра.
3. Храните устройство и кабель от него в недоступном для детей месте, если дети не находятся под постоянным присмотром.
4. Если кабель питания поврежден, его заменой должен заниматься производитель, его сервисный представитель, или должным образом квалифицированный персонал во избежание опасных ситуаций.
5. **ВНИМАНИЕ:** во избежание поражения электрическим током перед тем, как заменить лампу, убедитесь, что устройство выключено.
6. **ВНИМАНИЕ:** Любое обслуживание или ремонт, требующий демонтажа крышки, которая защищает от воздействия микроволновой энергии, представляет опасность для неквалифицированных лиц.
7. **ВНИМАНИЕ:** Жидкости и другая пища не должна нагреваться в герметичных контейнерах, так как они могут взорваться.
8. При нагреве пищи в пластиковых или бумажных контейнерах, следите за печью, так как может произойти возгорание.
9. Используйте только посуду, предназначенную для использования в микроволновых печах.
10. Если идет дым, выключите или отключите устройство от сети и держите дверь закрытой, чтобы затухить огонь.
11. Подогрев напитков в микроволновой печи может вызвать взрывное кипение с запозданием, поэтому обращаться с контейнером нужно осторожно.
12. Содержание бутылок для кормления и банок с детским питанием необходимо помешать или взболтать, а также проверить температуру перед употреблением во избежание ожогов.
13. Не нагревайте в микроволновой печи яйца в скорлупе или целый яйца, сваренные вкрутую, так как они могут взорваться даже после окончания подогрева в микроволновой печи.
14. Регулярно очищайте печь и удаляйте любые остатки еды.
15. Если печь не поддерживается в чистоте, это может испортить ее поверхность, что может негативно сказаться службы устройства и даже вызвать опасные ситуации.
16. Используйте только те температурные датчики, которые рекомендованы для данной печи (для печей с возможностью использовать температурный датчик).
17. Не помещайте микроволновую печь в шкаф, если она не была протестирована в шкафу.
18. Устройство предназначено для бытового или аналогичного бытовому использованию:
 - кухонные зоны для персонала в магазинах, офисах и других рабочих помещениях; клиенты в отелях, мотелях и других жилых помещениях;
 - фермы;
 - заведения типа «постель и завтрак».
19. Микроволновая печь предназначена для подогрева еды и напитков. Сушка еды или одежды, а также нагрев грелок, тапочек, губок, влажных тряпок и других предметов может привести к травмам, возгоранию или пожару.
20. Не разрешается использовать в микроволновой печи металлические контейнеры для еды и напитков.
21. Не разрешается очищать устройство с помощью парового очистителя.

22. Устройство должно стоять отдельно от других предметов.
23. Задняя поверхность устройства должна быть обращена к стене.
24. Устройство не предназначено для работы под управлением внешнего таймера или отдельной системы дистанционного управления.
25. Во время работы устройства температура доступных поверхностей может быть высокой.
26. **ВНИМАНИЕ:** когда устройство работает в комбинированном режиме, дети могут пользоваться им только под присмотром взрослых ввиду высокой температуры.

ВНИМАТЕЛЬНО ПРОЧИТАЙТЕ И СОХРАНИТЕ ДЛЯ ДАЛЬНЕЙШЕГО ИСПОЛЬЗОВАНИЯ

Для снижения риска травм лиц, осуществляющих установку заземления

ОПАСНОСТЬ

Опасность поражения током

Касание некоторых внутренних деталей может привести к серьезным травмам или смерти. Не разбирайте устройство.

ВНИМАНИЕ

Опасность поражения током

Ненадлежащее заземление может привести к поражению электрическим током.

Подключайте к розетке только после того, как устройство будет должным образом установлено и заземлено.

Устройство должно быть заземлено. В случае короткого замыкания заземление снижает риск поражения электрическим током, обеспечивая провод для ухода тока.

Устройство оснащено кабелем с заземляющим проводом и заземляющим штепселем. Подключайте его к розеткам, которые должным образом установлены и заземлены.

Если вы не полностью поняли инструкции по заземлению или сомневаетесь, заземлено ли устройство надлежащим образом, обратитесь к квалифицированному электрику или мастеру. Если требуется удлинитель, используйте только удлинитель с 3-мя проводами.

1. В набор входит короткий кабель питания (или отсоединяемый кабель питания), так как длинный кабель может запутаться или об него можно споткнуться.
2. При использовании набора с длинным кабелем или удлинителя:
 - 1) Указанные электрические параметры набора кабеля или удлинителя должны быть ниже электрических параметров устройства.
 - 2) В качестве удлинителя должен использоваться заземленный 3-проводной кабель.
 - 3) Длинный кабель должен быть протянут таким образом, чтобы он не свисал со столешницы или стола, где за него могут потянуть дети или об него можно случайно споткнуться.

ОЧИСТКА

Обязательно отключите устройство от источника питания.

1. После использования протрите внутреннюю часть печи слегка влажной тряпкой.
2. Очистите комплектующие обычным образом, в мыльной воде.
3. Рама дверцы, уплотнение и прилегающий к ним части необходимо тщательно очищать влажной тряпкой, когда они загрязняются.
4. Не используйте агрессивные абразивные чистящие средства или острые металлические скребки для очистки стекла на дверце печи, так как они могут поцарапать поверхность и привести к разбитому стеклу.
5. Совет, чтобы облегчить очистку внутренних стенок печи, которых может касаться еда в процессе приготовления: Смешайте в миске пол-лимона, добавьте 300 мл (1/2 пинты) воды и нагревайте ее в микроволновой печи на 100% мощности 10 минут. Вытрите печь мягкой сухой тряпкой.

ПОСУДА

ОСТОРОЖНО

Опасность травм

Любое обслуживание или ремонт, требующий демонтажа крышки, которая защищает от воздействия микроволновой энергии, представляет опасность для неквалифицированных лиц.

См. раздел «Материалы, которые могут использоваться в микроволновой печи, и которых необходимо избегать». Существует неметаллическая посуда, которую небезопасно использовать в микроволновой печи. Если вы не уверены, вы можете проверить такую посуду, следуя следующей процедуре.

Проверка посуды:

1. Налейте в пригодный для использования в микроволновке контейнер 1 стакан холодной воды (250 мл) и положите в него посуду, которую нужно проверить.
2. Нагревайте на максимальной мощности 1 минуту.
3. Осторожно потрогайте посуду. Если она теплая, не используйте ее в микроволновке.
4. Не нагревайте более 1 минуты.

Материалы, которые могут использоваться в микроволновой печи

Посуда	Примечания
Блюдо для поджаривания	Следуйте инструкциям производителя. Дно блюда для поджаривания должно находиться на расстоянии по крайней мере 3/16 дюймов (5 мм) над поворотной платформой. Неправильное использование может привести к поломке поворотной платформы.
Столовые приборы	Только те, которые предназначены для микроволновой печи. Следуйте инструкциям производителя. Не используйте потрескавшуюся посуду или посуду с отколотыми частями.
Стекланные банки	Всегда снимайте крышку. Используйте только для нагрева до слегка теплого состояния. Большинство стеклянных банок не выдерживает высоких температур и может разбиться.
Стекланная посуда.	Только стойкая к высок// им температурам и предназначенная для микроволновых печей. Убедитесь, что у посуды нет металлического ободка. Не используйте потрескавшуюся посуду или посуду с отколотыми частями.
Мешки для приготовления в духовке.	Следуйте инструкциям производителя. Не используйте мешки с металлическими элементами. Сделайте в них отверстия для выхода пара.
Бумажные тарелки и стаканчики	Используйте только для кратковременного приготовления/нагрева. Не оставляйте печь без присмотра во время работы.
Бумажные полотенца	Накрывайте ими пищу для разогрева и впитывания жира. Используйте только под присмотром и для кратковременного приготовления.
Пергаментная бумага	Используйте сверху во избежание разбрызгивания или заворачивайте в нее пищу для приготовления на пару.
Пластик	Только тот, который предназначен для микроволновой печи. Следуйте инструкциям производителя. На нем должна быть маркировка «Подходит для использования в микроволновой печи». Некоторые пластиковые контейнеры размягчаются, когда еда в них нагревается. Пакеты для варки или герметичные пластиковые пакеты необходимо разрезать, проткнуть или сделать в них отверстия, как указано на упаковке.
Пластиковая пленка	Только та, которая предназначена для микроволновой печи. Накрывайте ей еду для сохранения влаги во время приготовления. Не допускайте контакта пластиковой пленки с едой.
Вощеная бумага	Накрывайте ей еду во избежание разбрызгивания и для сохранения влаги.

Материалы, которых необходимо избегать в микроволновой печи

Посуда	Примечания
Алюминиевые подносы	Могут привести к образованию электрической дуги. Переложите еду в пригодный для использования в микроволновой печи контейнер.
Картонные упаковки для еды с металлической ручкой	Могут привести к образованию электрической дуги. Переложите еду в пригодный для использования в микроволновой печи контейнер.
Металлическая посуда или посуда с металлическим ободком	Металл закрывает еду от микроволнового излучения. Металлические ободки могут привести к образованию электрической дуги.
Скрученные металлические фиксаторы	Могут привести к образованию электрической дуги, а также пламени в печи.
Бумажные пакеты	Могут привести к образованию пламени в печи.
Пенопласт	При высоких температурах пенопласт может расплавиться или загрязнить жидкость, которая в нем находится.
Дерево	При использовании в микроволновой печи дерево высыхает и может распадаться или трескаться.

УСТАНОВКА

УСТАНОВКА МИКРОВОЛНОВОЙ ПЕЧИ

Название деталей и комплектующих печи

Вытащите печь и все материалы из картонной упаковки и внутренней части печи.

В комплект поставки входит следующее:

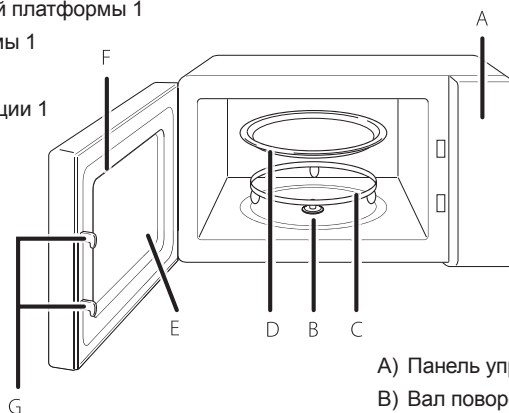
Стеклоподдон - 1

Сборка кольца поворотной платформы 1

Вал поворотной платформы 1

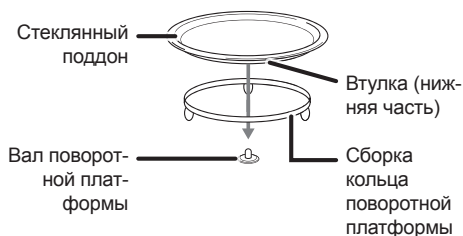
Решетка гриля 1

Руководство по эксплуатации 1



- A) Панель управления
- B) Вал поворотной платформы
- C) Сборка кольца поворотной платформы
- D) Стеклоподдон
- E) Смотровое окошко
- F) Сборка дверцы
- G) Система защитной блокировки

Установка поворотной платформы



- a. Ни в коем случае не располагайте стеклянный поддон вверх ногами. Следуйте инструкциям, чтобы расположить стеклянный поддон на кольце поворотной платформы в правильном направлении. Стеклянный поддон должен свободно вращаться.
- b. И стеклянный поддон, и сборка колеса поворотной платформы должны обязательно использоваться во время работы печи.
- c. Любая еда и контейнеры с едой должны всегда помещаться на стеклянный поддон для приготовления.
- d. В случае трещины или поломки стеклянного поддона или сборки кольца поворотной платформы обратитесь в ближайший официальный сервисный центр.

Установка на столешницу

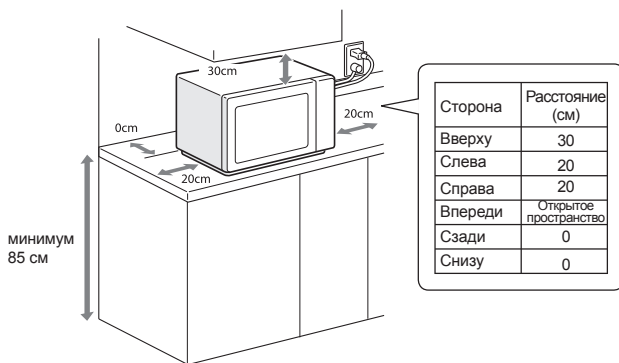
Удалите всю упаковку и комплектующие. Осмотрите печь на предмет повреждений, в частности зазубрин или поломок дверцы. Откажитесь от установки в случае обнаружения повреждений.

Корпус: удалите всю защитную пленку из внутренней части корпуса микроволновой печи.

Не снимайте светло-коричневое покрытие Маса, которое находится на внутренней стенке печи и предназначено для защиты магнетрона.

Установка

1. Выберите ровную поверхность с достаточным свободным местом для входных и/или выходных отверстий.



- 1) Минимальная высота установки составляет 85 см.
 - 2) Задняя поверхность устройства должна быть обращена к стене. Над печью должно быть по крайней мере 30 см открытого пространства, а между боковыми стенками печи и прилегающими стенами - по крайней мере 20 см.
 - 3) Не снимайте ножки со дна печи.
 - 4) Блокировка входных и/или выходных отверстий может повредить печь.
 - 5) Располагайте микроволновую печь как можно дальше от радио и телевизора. Во время работы микроволновая печь может вызвать помехи приема сигнала радио или телевидения.
2. Подключите печь к стандартной бытовой розетке. Убедитесь, что напряжение и частота соответствуют напряжению и частоте на паспортной табличке.

ВНИМАНИЕ: не устанавливайте печь над варочной поверхностью плиты или другими приборами, которые выделяют тепло.

При установке вблизи источника тепла печь может быть повреждена, а гарантия аннулирована.

Во время работы доступные поверхности могут быть горячими.



ПАНЕЛЬ УПРАВЛЕНИЯ

ПАНЕЛЬ УПРАВЛЕНИЯ

Внешний вид панели управления и назначение органов управления показаны на рисунке 2.

Окончание приготовления сопровождается звуковым сигналом.

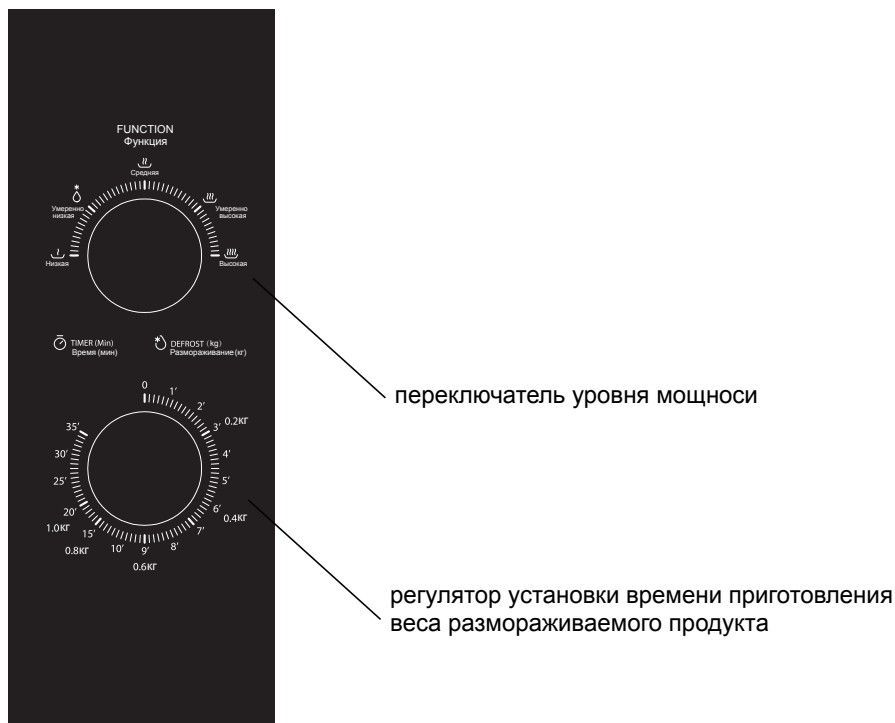


Рисунок 2

ПОДКЛЮЧЕНИЕ ПЕЧИ

ВНИМАНИЕ: ДЛЯ ПОДКЛЮЧЕНИЯ ПЕЧИ К СЕТИ ДОЛЖНА БЫТЬ ПРЕДУСМОТРЕНА РОЗЕТКА С ЗАЗЕМЛЯЮЩИМ КОНТАКТОМ!

Извлеките и удалите полиэтиленовую пленку с корпуса печи если она наклеена и находящуюся пленку между дверцей и камерой микроволновой печи.

Откройте дверцу печи, нажав на кнопку открывания дверцы. Установите внутрь камеры печи кольцо роликовое. Сверху кольца роликового установите стеклянное блюдо, совместив выступы стеклянного блюда и муфты вала мотора (согласно рисунку 1). Закройте дверцу печи.

ВНИМАНИЕ: РОЗЕТКА ДОЛЖНА НАХОДИТЬСЯ В НЕПОСРЕДСТВЕННОЙ БЛИЗОСТИ ОТ ПЕЧИ, К НЕЙ ДОЛЖЕН БЫТЬ ОБЕСПЕЧЕН СВОБОДНЫЙ ДОСТУП, ЧТОБЫ В СЛУЧАЕ НЕОБХОДИМОСТИ МОЖНО БЫЛО НЕМЕДЛЕННО ОТКЛЮЧИТЬ ПЕЧЬ ОТ СЕТИ!

РЕЖИМ «ПРИГОТОВЛЕНИЕ ПИЩИ»

Положите продукты в посуду, пригодную для приготовления в микроволновой печи.

Откройте дверцу печи, нажав на кнопку открывания дверцы. Поставьте посуду с продуктами на стеклянное блюдо и закройте дверцу.

Установите уровень мощности микроволн, поворачивая переключатель **Мощность** до нужного значения в соответствии с таблицей 2.

Установите время приготовления, поворачивая регулятор **Время Размораживание(кг)**. Время устанавливается в пределах от 1 до 35 мин. После установки времени приготовления печь включится, загорится подсветка камеры печи.

По истечении времени приготовления прозвучит звуковой сигнал, регулятор **Время Размораживание(кг)** установится в положение «0», подсветка камеры печи выключится.

Таблица 2

Мощность	Уровень мощности, %	Применение
Низкая	17	Размораживание продуктов. Размягчение замороженных кремов
* ⊖ Умеренно низкая	33	Приготовление супов. Размягчение масла, маргарина. Размораживание продуктов
Средняя	55	Тушение мяса. Приготовление рыбы, морепродуктов
Умеренно высокая	77	Приготовление риса, рыбы, курицы, кусочков мяса
Высокая	100	Разогревание. Кипячение молока, воды. Приготовление овощей

Пример – Вам необходимо готовить блюдо при среднем уровне микроволновой мощности в течении 15 мин. Для этого:

♦ поместите продукты в печь;

♦ установите уровень мощности микроволн, поворачивая переключатель **Мощность** в положение «Средняя»;

♦ поверните регулятор **Время Размораживание(кг)** в положение «15», после этого печь включится, загорится подсветка камеры печи.

Примечания

1 В процессе приготовления время приготовления может быть увеличено или уменьшено в любой момент поворотом регулятора **Время Размораживание(кг)**.

2 В процессе приготовления можно изменить уровень мощности, повернув регулятор **Мощность**.

3 Если печь не используется, регулятор **Время Размораживание(кг)** должен находиться в положении «0».

4 Перед тем, как окончательно достать пищу из печи, убедитесь, что регулятор **Время Размораживание(кг)** находится в положении «0».

5 Ни в коем случае не включайте микроволновую печь, если в ней нет продуктов.

УСТРАНЕНИЕ НЕИСПРАВНОСТЕЙ

Обыкновенного типа	
Микроволновая печь создает помехи телевизионного сигнала	Во время работы микроволновой печи в радио или телевизионных сигналах могут быть помехи. Эта ситуация сходна с помехами, вызываемыми мелкой бытовой техникой: миксерами, пылесосами, электрическими вентиляторами. Это является нормальным.
Затемнение подсветки в печи	При приготовлении на низкой мощности микроволн подсветка в печи может затемняться. Это является нормальным.
На дверце собирается пар, из выходных отверстий выходит горячий воздух	Во время приготовления еда может выделять пар. Большая часть пара будет выходить из выходных отверстий. Но часть может собираться в прохладном месте, например, дверце печи. Это является нормальным.
Печь случайно включена, когда внутри нет еды.	Включать печь, когда внутри нет еды, запрещается. Это очень опасно.

Неисправность	Возможная причина	Решение
Печь не включается.	(1) Кабель питания не плотно вставлен в розетку.	Вытащите из розетки, затем заново вставьте через 10 секунд.
	(2) Сгорел предохранитель или включился размыкатель цепи.	Замените предохранитель или сбросьте размыкатель цепи (процедура должна производиться квалифицированным персоналом нашей компании)
	(3) Проблемы с розеткой.	Протестируйте розетку с другими электрическими приборами.
Печь не нагревается.	(4) Дверца плохо закрыта.	Плотно закройте дверцу.

TOSHIBA



Mikrovlná rúra

NÁVOD NA POUŽITIE

Model:

MW2-MM20PF(BK)

MW2-MM23PF(BK)

Pred použitím mikrovlnnej rúry si pozorne prečítajte tento návod a starostlivo si ho uschovajte.

Ak budete postupovať podľa týchto pokynov, vaša mikrovlnná rúra vám bude dobre slúžiť po dlhé roky.

TENTO NÁVOD SI STAROSTLIVO USCHOVAJTE!

OBSAH

OBSAH	1
BEZPEČNOSTNÉ OPATRENIA.....	2
ŠPECIFIKÁCIA	2
DÔLEŽITÉ BEZPEČNOSTNÉ POKYNY	3-4
ČISTENIE.....	5
NÁČINIE	5-6
NASTAVENIE A INŠTALÁCIA	7-8
PREVÁDZKA.....	9
IDENTIFIKÁCIA A RIEŠENIE PROBLÉMOV.....	10

UPOZORNENIA

BEZPEČNOSTNÉ OPATRENIA SÚVISIACE S MOŽNÝM VYSTAVENÍM SA NADMERNÉMU MIKROVLNNÉMU ŽIARENIU

- (a) Nepoužívajte túto mikrovlnnú rúru s otvorenými dvierkami, pretože by to mohlo spôsobiť škodlivé vystavenie sa mikrovlnnému žiareniu. Je dôležité neporušovať bezpečnostné blokády a nemanipulovať s nimi.
- (b) Medzi prednú časť rúry a dvierka neumiestňujte žiadne predmety a zabráňte hromadeniu zvyškov čiastiacich prostriedkov v oblastiach tesnenia.
- (c) UPOZORNENIE: Ak sú dvierka alebo tesnenie dvierok poškodené, rúra sa nesmie používať, kým ju neopraví kvalifikovaná osoba.

DODATOK

Pokiaľ nie je prístroj udržiavaný v čistote, môže sa poškodiť jeho povrch, čo môže mať vplyv na životnosť prístroja a viesť k nebezpečným situáciám.

ŠPECIFIKÁCIA

Model:	MW2-MM20PF(BK)	MW2-MM23PF(BK)
Menovité napätie:	230-240V~50Hz	230-240V~50Hz
Spotreba energie (mikrovlnná rúra):	1200-1270W	1200-1250W
Menovitý výstupný výkon (mikrovlnka):	750-800W	750-800W
Kapacita rúry:	20L	23L
Priemer otočného taniera:	Φ 255mm	Φ 288mm
Vonkajšie rozmery (Š x H x V):	440x357x259mm	485x405x293mm
Hmotnosť netto:	Cca 11.4 kg	Cca 13.0 kg

DÔLEŽITÉ BEZPEČNOSTNÉ POKYNY

UPOZORNENIE

S cieľom znížiť riziko vzniku požiaru, úrazu elektrickým prúdom, zranenia osôb alebo vystavenia nadmernému mikrovlnnému žiareniu pri používaní spotrebiča dodržiavajte základné preventívne opatrenia, vrátane nasledujúcich:

1. Prečítajte si a dodržiavajte nasledovné: „BEZPEČNOSTNÉ OPATRENIA SÚVISIACE S MOŽNÝM VYSTAVENÍM SA NADMERNÉMU MIKROVLNNÉMU ŽIARENÍU“.
2. Tento výrobok môžu používať deti a osoby so zníženými fyzickými, zmyslovými alebo duševnými schopnosťami alebo osoby s nedostatkom skúseností a znalostí, iba ak sú pod dozorom alebo ak boli poučené o bezpečnom používaní tohto spotrebiča a rozumejú možným rizikám. Deti sa nesmú hrať so spotrebičom. Čistenie a údržbu nesmú vykonávať deti, pokiaľ nie sú pod dohľadom.
3. Uchovávajte prístroj a kábel k nemu mimo dosahu detí, pokiaľ nie sú pod neustálym dohľadom.
4. Ak je napájací kábel poškodený, musí ho vymeniť výrobca, jeho servisný pracovník alebo podobne kvalifikovaná osoba, aby sa predišlo nebezpečenstvu.
5. UPOZORNENIE: Pred výmenou žiarovky sa uistite, že je prístroj vypnutý, aby ste predišli úrazu elektrickým prúdom.
6. UPOZORNENIE: Pre kohokoľvek iného ako kompetentnú osobu je nebezpečné vykonávať akékoľvek servisné alebo opravárenské činnosti, ktoré zahŕňajú odstránenie krytu, ktorý poskytuje ochranu pred vystavením mikrovlnnému žiareniu.
7. UPOZORNENIE: Kvapaliny a iné potraviny sa nesmú ohrievať v uzavretých nádobách, pretože by mohli explodovať.
8. Pri ohrievaní potravín v plastových alebo papierových nádobách dávajte pozor na rúru z dôvodu možnosti vznietenia.
9. Používajte iba náčinie, ktoré je vhodné na použitie v mikrovlnných rúrach.
10. Ak z prístroja vychádza dym, vypnite ho alebo odpojte od elektrickej siete a nechajte dvierka zatvorené, aby došlo k uduseniu plameňa.
11. Ohrievanie nápojov v mikrovlnnej rúre môže viesť k oneskorenému erupčivému varu, preto pri manipulácii s nádobami buďte opatrní.
12. Obsah fliaš na kŕmenie a nádob na detskú výživu sa má pred konzumáciou premiešať alebo pretrepať a skontroluje sa jeho teplota, aby sa zabránilo popáleniu.
13. Vajcia v škrupine a celé natvrdo uvarené vajcia by sa nemali ohrievať v mikrovlnných rúrach, pretože môžu explodovať, a to aj po ukončení mikrovlnného ohrevu.
14. Rúru by ste mali pravidelne čistiť a odstraňovať z nej zvyšky jedla.
15. Ak nebudete rúru udržiavať v čistote, mohlo by to viesť k zhoršeniu stavu jej povrchu, čo by mohlo nepriaznivo ovplyvniť životnosť spotrebiča a pravdepodobne viesť k nebezpečnej situácii.
16. Používajte iba teplotnú sondu odporúčanú pre túto rúru (platí pre rúry vybavené zariadením na snímanie teploty.)
17. Mikrovlnná rúra nesmie byť umiestnená v skrinke, pokiaľ nebola testovaná v skrinke.
18. Tento spotrebič je určený na používanie v domácnostiach a podobných prostrediach, ako napríklad:
 - kuchynské priestory pre zamestnancov v obchodoch, kanceláriách a iných pracovných prostrediach;
 - klienti v hoteloch, motelloch a iných obytných prostrediach;
 - poľnohospodárske domy;
 - bytovacie zariadenia typu ubytovanie s raňajkami.
19. Mikrovlnná rúra je určená na ohrev jedál a nápojov. Sušenie potravín alebo odevov a ohrev vyhrievaných vankúšov, papúč, špongií, vlhkých látok a podobne môže viesť k riziku poranenia, vznietenia ohňa alebo požiaru.
20. Pri mikrovlnnom ohrievaní nie sú povolené kovové nádoby na jedlo a nápoje.
21. Spotrebič sa nesmie čistiť parným čističom.

22. Spotrebič je určený na použitie ako samostatne stojací.
23. Zadná plocha prístrojov musí byť umiestnená pri stene.
24. Spotrebiče nie sú určené na prevádzku pomocou externého časovača alebo oddeleného systému diaľkového ovládania.

ČÍTAJTE POZORNE A PONECHAJTE SI PRE PRÍPAD BUDÚCEJ POTREBY!

Pre zníženie rizika poranenia osôb Inštalácia zemnenia

NEBEZPEČENSTVO

Nebezpečenstvo úrazu elektrickým prúdom

Dotyk niektorých vnútorných komponentov môže spôsobiť vážne zranenie alebo smrť. Tento prístroj nerozoberajte.

UPOZORNENIE

Nebezpečenstvo úrazu elektrickým prúdom

Nesprávne použitie uzemnenia môže mať za následok zásah elektrickým prúdom.

Nezapájajte do zásuvky, kým nie je spotrebič správne nainštalovaný a uzemnený.

Tento spotrebič musí byť uzemnený. V prípade elektrického skratu uzemnenie znižuje riziko úrazu elektrickým prúdom tým, že poskytuje elektrickému prúdu únikový vodič.

Spotrebič je vybavený káblom, ktorý má uzemňovací vodič s uzemňovacou zástrčkou. Zástrčka musí byť zapojená do zásuvky, ktorá je správne nainštalovaná a uzemnená.

Ak nie sú pokyny na uzemnenie jasné alebo ak existujú pochybnosti o tom, či je prístroj správne uzemnený, obráťte sa na kvalifikovaného elektrikára alebo opravára.

Ak je potrebné použiť predlžovací kábel, používajte iba 3-žilový predlžovací kábel.

1. K dispozícii je krátky napájací kábel, aby sa znížilo riziko zamotania alebo zakopnutia o dlhší kábel.
2. Ak sa používa súprava dlhých káblov alebo predlžovací kábel:
 - 1) Označený elektrický výkon súpravy káblov alebo predlžovacieho kábla by mal byť minimálne taký vysoký ako elektrický výkon spotrebiča.
 - 2) Predlžovací kábel musí byť uzemňovací 3-žilový kábel.
 - 3) Dlhá šnúra by mala byť uložená tak, aby nepresahovala cez dosku pultu alebo stola, kde by ju mohli deti stiahnuť alebo o ňu nechtiac zakopnúť.

ČISTENIE

Nezabudnite odpojiť spotrebič od zdroja napájania.

1. Po použití vyčistite vnútro rúry mierne navlhčenou handričkou.
2. Vyčistite príslušenstvo obvyklým spôsobom vodou a mydlom.
3. Ak sú rám dverí, tesnenie a ich okolie znečistené, je potrebné ich opatrne vyčistiť vlhkou handričkou.
4. Na čistenie sklenených dvierok rúry nepoužívajte agresívne abrazívne čistiace prostriedky alebo ostré kovové škrabky, pretože by mohli poškriabať povrch, čo by mohlo viesť k rozbitiu skla.
5. Tip na čistenie --- Pre jednoduchšie čistenie stien vo vnútri rúry, ktoré môžu byť v kontakte s pripravovanými potravinami: Vložte polovicu citróna do misy, pridajte 300 ml vody a 10 minút ju ohrievajte na 100% výkone mikrovlnky. Rúru utrite mäkkou, suchou handričkou.

NÁČINIE

POZOR

Nebezpečenstvo úrazu osôb

Pre kohokoľvek iného ako kompetentnú osobu je nebezpečné vykonávať akékoľvek servisné alebo opravárenské činnosti, ktoré zahŕňajú odstránenie krytu, ktorý poskytuje ochranu pred vystavením mikrovlnnému žiareniu.

Prečítajte si pokyny v časti „Materiály, ktoré môžete použiť a ktorým sa treba vyhnúť v mikrovlnnej rúre.“ Môže sa vyskytnúť určité nekovové náčinie, ktoré nie je bezpečné používať v mikrovlnnej rúre. Ak máte pochybnosti, môžete predmetné náčinie otestovať podľa postupu uvedeného nižšie.

Test náčinia:

1. Naplňte nádobu vhodnú do mikrovlnnej rúry 1 šálkou studenej vody (250 ml) spolu s príslušným náčiním.
2. Ohrievajte 1 minútu pri maximálnom výkone.
3. Opatrne sa dotknite náčinia. Ak je prázdne náčinie teplé, nepoužívajte ho na ohrievanie v mikrovlnnej rúre.
4. Neprekročte čas ohrievania (1 minúta).

Materiály, ktoré môžete použiť v mikrovlnnej rúre

Náčinie	Remarks
Zapekacie misy	Dodržujte pokyny výrobcu. Dno zapekacieho náčinia musí byť najmenej 5 mm nad otočným tanierom. Nesprávne použitie môže spôsobiť poškodenie otočného taniera.
Jedáľenský servis	Iba servis vhodný do mikrovlnnej rúry. Dodržujte pokyny výrobcu. Nepoužívajte prasknutý alebo obitý riad.
Sklenené nádoby	Vždy odstráňte veko. Používajte iba na zohrievanie jedla, kým nie je dostatočne teplé. Väčšina sklenených nádob nie je odolná voči teplu a môže sa rozbiť.
Sklenené náčinie	Vhodné iba žiaruvzdorné sklo. Uistite sa, že nemá kovové okraje. Nepoužívajte prasknutý alebo obitý riad.
Vrecká do mikrovlnných rúr	Dodržujte pokyny výrobcu. Nezatvárajte pomocou kovového uzáveru. Vytvorte štrbiny, aby mohla unikáť para.
Papierové taniere a poháre	Používajte iba na krátkodobé varenie/ohrievanie. Počas varenia nenechávajte rúru bez dohľadu.
Papierové utierky	Používa sa na zakrytie jedla pri prihrievaní a na vstrebávanie tuku. Používajte pod dohľadom iba na krátkodobé varenie.
Papier na pečenie	Používajte ako ochranu pred postriekaním alebo ako obal na parenie.
Plasty	Iba servis vhodný do mikrovlnnej rúry. Riadte sa pokynmi výrobcu. Malo by byť označené ako „Bezpečné pre mikrovlnné rúry“. Niektoré plastové nádoby zmäknú, keď sa jedlo vnútri ohreje. „Varné vrecká“ a tesne uzavreté plastové vrecká by sa mali rozrezať, prepichnúť alebo pootvoriť podľa pokynov na obale.
Plastový obal	Iba servis vhodný do mikrovlnnej rúry. Používa sa na prikrytie jedla počas varenia, aby sa zadržala vlhkosť. Nedovoľte, aby sa plastový obal dotýkal potravín.
Voskový papier	Používajte ako ochranu pred rozstrekovaním a na zadržanie vlhkosti.

Materiály, ktorým je potrebné sa vyhnúť v mikrovlnnej rúre

Náčinie	Poznámky
Hliníkový podnos	Môže spôsobiť iskrenie. Premiestnite jedlo do náčinia vhodného do mikrovlnnej rúry.
Kartón na potraviny s kovovou rukoväťou	Môže spôsobiť iskrenie. Premiestnite jedlo do náčinia vhodného do mikrovlnnej rúry.
Kovové náčinie alebo náčinie s kovovými prvkami	Kov chráni jedlo pred mikrovlnným žiarením. Kovové prvky môžu spôsobiť iskrenie.
Kovové upevňovacie prvky	Môže spôsobiť iskrenie a vznietiť oheň v rúre.
Papierové tašky	Môže vznietiť oheň v rúre.
Plastová pena	Plastová pena sa môže pri vysokej teplote roztaviť alebo kontaminovať kvapalinu vo vnútri.
Drevo	Drevo pri použití v mikrovlnnej rúre vyschne a môže sa štiepiť alebo prasknúť.

NASTAVENIE A INŠTALÁCIA

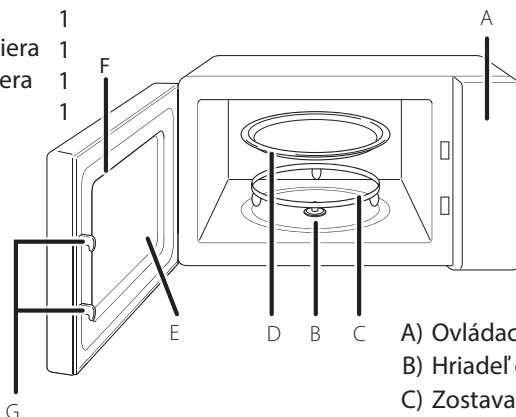
NASTAVENIE RÚRY

Názvy častí rúry a príslušenstva

Vyberte rúru a všetok materiál z krabice a z vnútra rúry.

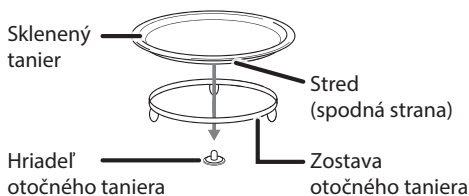
Vaša rúra je dodávaná s nasledovným príslušenstvom:

Sklenený tanier	1
Zostava otočného taniera	1
Hriadel' otočného taniera	1
Návod na použitie	1



- A) Ovládací panel
- B) Hriadel' otočného taniera
- C) Zostava otočného taniera
- D) Sklenený tanier
- E) Pozorovacie okienko
- F) Dvierka
- G) Bezpečnostný blokovací systém

Inštalácia otočného taniera



- a. Sklenený tanier nikdy nedávajte hore dnom. Podľa pokynov umiestnite sklenený tanier na otočný krúžok správnym smerom. Sklenený tanier by sa mal otáčať hladko.
- b. Počas varenia sa musí vždy použiť sklenený tanier aj otočný kruh.
- c. Všetky jedlá a nádoby s jedlom sú pri varení vždy umiestnené na sklenenom tanieri.
- d. Ak je sklenený tanier alebo otočný krúžok prasknutý alebo rozbítený, obráťte sa na svoje najbližšie autorizované servisné stredisko.

Inštalácia na kuchynskú linku

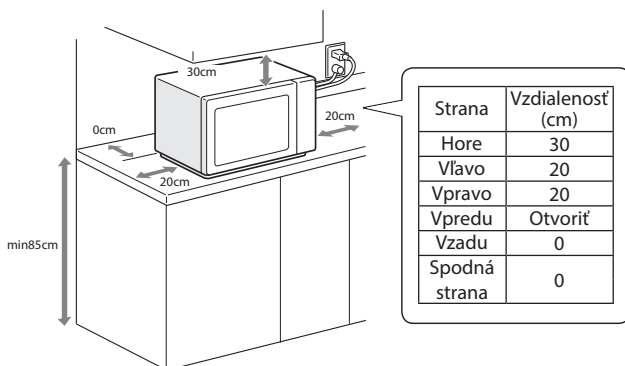
Odstráňte všetok baliaci materiál a príslušenstvo. Skontrolujte rúru, či nie je poškodená a nevyskytujú sa na nej napríklad preliačeniny alebo pokazené dverka. Neinštalujte, ak je rúra poškodená.

Skrinka: Odstráňte akúkoľvek ochrannú fóliu, ak sa nachádza na povrchu skrinky pod mikrovlnnou rúrou.

Neodstraňujte svetlohnedý sludový kryt pripevnený k interiéru rúry na ochranu magnetronu.

Inštalácia

1. Vyberte rovný povrch, ktorý poskytuje dostatok voľného priestoru pre vstupné a/alebo výstupné otvory.



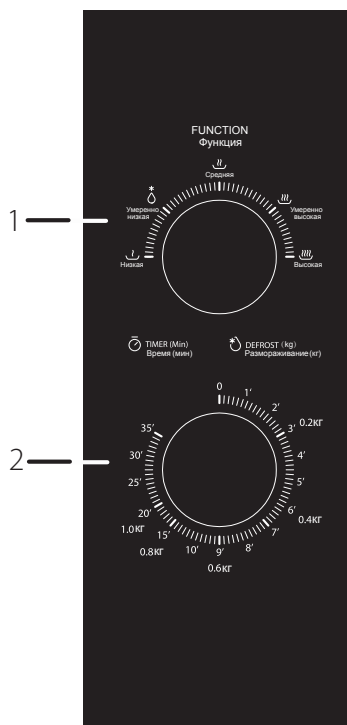
- (1) Minimálna výška pri inštalácii je 85 cm.
 - (2) Zadná plocha prístroja musí byť umiestnená pri stene.
Ponechajte minimálny priestor 30 cm nad rúrou; medzi rúrou a susednými stenami je potrebný minimálny priestor 20 cm.
 - (3) Neodstraňujte nožičky zo spodnej časti rúry.
 - (4) Blokovanie vstupných a/alebo výstupných otvorov môže rúru poškodiť.
 - (5) Rúru umiestnite čo najďalej od rádia a televízneho prijímača. Prevádzka mikrovlnnej rúry môže spôsobiť rušenie vášho rozhlasového alebo televízneho príjmu.
2. Zapojte rúru do štandardnej zásuvky v domácnosti. Uistite sa, že napätie a frekvencia sú rovnaké ako napätie a frekvencia na energetickom štítku.

UPOZORNENIE: Neinštalujte rúru na varnú dosku sporáka alebo na iné zariadenie produkujúce teplo. Pri inštalácii v blízkosti alebo nad zdrojom tepla by sa mohla rúra poškodiť, pričom by zanikla záruka.

Prístupný povrch môže byť počas prevádzky horúci.



PREVÁDZKA



1. Prepínač POWER

2. Prepínač TIMER

- Na nastavenie výkonu varenia otočením prepínača POWER na požadovanú úroveň.
- Na nastavenie času varenia o otočením prepínača TIMER na požadovaný čas varenia podľa príručky.
- Po nastavení úrovne výkonu a času sa mikrovlnná rúra automaticky spustí.
- Po uplynutí doby varenia sa spotrebič po „hlasovom signále“ zastaví.
- Ak sa spotrebič nepoužíva, vždy nastavte čas na „0“.

Funkcia/Výkon	Výstup	Aplikácia
Nízky	17% Mikro.	Mierne stopiť zmrzlinu
Stredný Nízky (rozmrazovanie)	33% Mikro.	Varenie polievky, mierne stopenie masla alebo rozmrazovanie
Stredný	55% Mikro.	Dusené mäso, ryby
Stredný Vysoký	77% Mikro.	Ryža, ryby, kuracie mäso, mleté mäso
Vysoký	100% Mikro.	Opätovný ohrev, mlieko, prevarenie vody, zelenina, nápoje

Upozornenie: Pri vyberaní jedla z rúry sa uistite, že je rúra vypnutá otočením časového spínača do polohy 0 (nula). Ak tak neurobíte a budete mikrovlnnú rúru používať bez potravín, môže to mať za následok prehriatie a poškodenie magnetrónu.

IDENTIFIKÁCIA A RIEŠENIE PROBLÉMOV

Bežné	
Mikrovlnná rúra ruší príjem TV	Pri prevádzke mikrovlnnej rúry môže byť narušený príjem rozhlasu a televízie. Je to podobné ako rušenie spôsobené malými elektrickými spotrebičmi, ako sú mixéry, vysávače a elektrické ventilátory. To je normálne.
Tlmené svetlo v rúre	Pri mikrovlnnom varení s nízkym výkonom môže byť svetlo v rúre tlmené. To je normálne.
Na dverách sa hromadí para, z prieduchov vychádza horúci vzduch	Pri varení môže z jedla vychádzať para. Väčšina sa dostane von prieduchmi. Časť sa však môže hromadiť na chladnom mieste, ako sú dvierka rúry. To je normálne.
Rúra sa omylom zapla bez jedla.	Nesmie sa zapínať mikrovlnku bez potravín vo vnútri. Je to veľmi nebezpečné.

Problém	Možná príčina	Náprava
Rúra sa nedá zapnúť.	(1) Napájací kábel nie je pevne zapojený.	Odpojte ho. Potom ho po 10 sekundách znova zapojte.
	(2) Vybitie poistky alebo ističa.	Vymeňte poistku alebo opätovne nastavte istič (opravený odborným personálom našej spoločnosti)
	(3) Problémy so zásuvkou.	Vyskúšajte s iné elektrický zásuvky.
Rúra nezohrieva.	(4) Dvierka nie sú dobre zatvorené.	Dobre zatvorte dvierka.

TOSHIBA



Мікрохвильова піч
ІНСТРУКЦІЇ З ЕКСПЛУАТАЦІЇ

Модель:

MW2-MM20PF(BK)
MW2-MM23PF(BK)

Прочитайте уважно ці інструкції перед тим, як користуватися мікрохвильовою піччю, та надійно збережіть їх.

Якщо ви будете дотримуватися інструкцій, ваша піч прослужить належним чином багато років.

НАДІЙНО ЗБЕРЕЖІТЬ ЦЮ ІНСТРУКЦІЮ

ЗМІСТ

ЗМІСТ	1
ЗАСТЕРЕЖЕННЯ	2
ТЕХНІЧНІ ХАРАКТЕРИСТИКИ	2
ВАЖЛИВІ ПРАВИЛА ТЕХНІКИ БЕЗПЕКИ	3-4
ОЧИЩЕННЯ	5
ПОСУД	5-6
НАСТРОЙКА І ВСТАНОВКА	7-8
ЕКСПЛУАТАЦІЯ	9
УСУНЕННЯ НЕСПРАВНОСТЕЙ	10

ЗАСТЕРЕЖЕННЯ

ЗАСТЕРЕЖЕННЯ ЩОДО УНИКНЕННЯ МОЖЛИВОГО ВПЛИВУ НАДМІРНОЇ МІКРОХВИЛЬНОЇ ЕНЕРГІЇ

- (a) Не намагайтеся використовувати цю піч з відкритими дверцятами, оскільки це може призвести до шкідливого впливу мікрохвильової енергії. Важливо не порушувати і не втручатися в захисні блокування.
- (b) Не розміщуйте жодних предметів між передньою панеллю печі та дверцятами та уникайте утворення залишків очищувача на ущільнювачах.
- (c) УВАГА: Якщо дверцята або ущільнювач дверцят пошкоджено, забороняється використовувати піч, доки її не відремонтує компетентна особа.

ДОПОВНЕННЯ

Якщо прилад не зберігається в чистоті, стан його поверхні може погіршитися і це вплине на термін експлуатації приладу та може призвести до небезпечної ситуації.

ТЕХНІЧНІ ХАРАКТЕРИСТИКИ

Модель:	MW2-MM20PF(BK)	MW2-MM23PF(BK)
Номинальна напруга:	230-240 В ~50 Гц	230-240 В ~50 Гц
Споживання енергії (мікрохвильова піч):	1200-1270 Вт	1200-1250 Вт
Номинальна вихідна потужність (мікрохвильова піч):	750-800W	750-800W
Місткість печі:	20 л	23 л
Діаметр поворотного диску:	Φ 255 мм	Φ 288 мм
Зовнішні розміри (Ш x Г x В):	440X357x259 мм	485X405x293 мм
Вага нетто:	Прибл. 11,4 кг	Прибл. 13 кг

ВАЖЛИВІ ПРАВИЛА ТЕХНІКИ БЕЗПЕКИ

ЗАСТЕРЕЖЕННЯ

Щоб зменшити ризик пожежі, ураження електричним струмом, травмування людей або надмірної енергії мікрохвильової печі під час користування приладом, дотримуйтесь основних заходів безпеки, включаючи наступні:

1. Прочитайте та особливо дотримуйтесь: «ЗАСТЕРЕЖЕННЯ ЩОДО УНИКНЕННЯ МОЖЛИВОГО ВПЛИВУ НАДМІРНОЇ МІКРОХВИЛЬОВОЇ ЕНЕРГІЇ».
2. Цим приладом можуть користуватися діти та люди зі зниженими фізичними, сенсорними або розумовими можливостями або відсутністю досвіду та знань, якщо їм був забезпечений нагляд або вони отримали інструкцію щодо користування приладом безпечним способом та розуміють пов'язану з цим небезпеку. Слідкуйте, щоб діти не гралися приладом. Слідкуйте, щоб діти не чистили і не обслуговували прилад, це можливо тільки за умови нагляду.
3. Тримайте прилад та шнур від нього подалі від дітей, якщо вони не знаходяться під постійним наглядом.
4. Якщо кабель електроживлення буде пошкоджено, він має бути замінений виробником, його агентом з обслуговування або іншим кваліфікованим спеціалістом, щоб уникнути небезпеки ураження електричним струмом.
5. **ЗАСТЕРЕЖЕННЯ:** Переконайтесь, що прилад вимкнено перед заміною лампи, щоб уникнути можливості ураження електричним струмом.
6. **ЗАСТЕРЕЖЕННЯ:** Для будь-кого, крім компетентної особи, небезпечно виконувати будь-які операції з обслуговування або ремонту, що включає зняття кришки, яка забезпечує захист від впливу мікрохвильової енергії.
7. **ЗАСТЕРЕЖЕННЯ:** Не слід нагрівати рідину та інші продукти в закритих ємностях, оскільки вони можуть вибухнути.
8. Під час нагрівання їжі в пластикових або паперових ємностях слідкуйте за пічю через можливість займання.
9. Використовуйте лише посуд, який підходить для використання в мікрохвильовій печі.
10. Якщо виділяється дим, відключіть або від'єднайте прилад від живлення та не відкривайте дверці, щоб заглушити полум'я.
11. Мікрохвильовий нагрів напоїв може призвести до затримки кипіння та розбризкування, тому з таким контейнером потрібно бути обережним.
12. Вміст пляшок для годування та баночок для дитячого харчування слід розмішувати або струшувати, та перевіряти температуру перед споживанням, щоб уникнути опіків.
13. Не слід нагрівати в мікрохвильових печах яйця в шкаралупі та цілі яйця, зварені круто, оскільки вони можуть вибухнути навіть після закінчення нагрівання мікрохвильової печі.
14. Піч слід регулярно чистити та видаляти будь-які залишки їжі.
15. Якщо не підтримувати піч у чистому стані, це може призвести до пошкодження поверхні, що може негативно вплинути на термін служби приладу і, можливо, призвести до небезпечної ситуації.
16. Використовуйте лише термощуп, рекомендований для цієї печі. (для печей з обладнанням для користування термощупом).
17. Мікрохвильову піч не слід розмішувати в шафі, за винятком випадків, коли вона пройшла випробування на використання в шафі.
18. Цей прилад призначений для використання у побутових і подібних умовах, наприклад таких:
 - у кухонних зонах магазинів, офісів та інших робочих середовищ;
 - клієнтами в готелях, мотелях та житлових приміщеннях іншого типу;
 - у фермерських господарствах;
 - хостелах та подібних житлових приміщеннях;
19. Мікрохвильова піч призначена для нагрівання їжі та напоїв. Сушіння їжі або одягу та нагрівання утеплюючих прокладок, тапочок, губок, вологої тканини тощо можуть призвести до ризику травмування, займання або пожежі.
20. Забороняється використовувати металеві контейнери для їжі та напоїв під час приготування їжі в мікрохвильової печі.
21. Забороняється чистити пристрій парочисником.

- 22. Прилад призначений для автономного використання.
- 23. Задня поверхня приладів повинна розташовуватися навпроти стіни.
- 24. Прилади не призначені для експлуатації за допомогою зовнішнього таймера або окремої системи дистанційного керування.

УВАЖНО ПРОЧИТАЙТЕ ТА ЗБЕРЕЖІТЬ ДЛЯ ПОДАЛЬШОГО ВИКОРИСТАННЯ

Для зменшення ризику травмування людей, що встановлюють заземлення

НЕБЕЗПЕКА

Небезпека ураження електричним струмом
Торкання деяких внутрішніх компонентів може спричинити серйозні травми або смерть. Не розбирайте цей прилад.

ЗАСТЕРЕЖЕННЯ

Небезпека ураження електричним струмом
Неправильне використання заземлення може призвести до ураження електричним струмом.
Не вмикайте в розетку, поки прилад не буде правильно встановлений і заземлений.

Цей прилад повинен бути заземленим. У разі електричного короткого замикання заземлення зменшує ризик ураження електричним струмом, забезпечуючи провід для відведення електричного струму.
Цей прилад обладнаний шнуром із заземлюючим проводом і заземлюючою вилкою. Вилку слід підключити до належно встановленої та заземленої розетки.

Зверніться до кваліфікованого електрика або спеціаліста з обслуговування, якщо інструкції щодо заземлення не повністю зрозумілі або якщо існують сумніви щодо правильності заземлення приладу.
Якщо необхідно використовувати подовжувач, використовуйте лише трижильний подовжувач.

1. Короткий шнур живлення передбачений для зменшення ризиків, пов'язаних із заплутуванням або зачепленням через довгий шнур.
2. Якщо використовується довгий шнур або подовжувач:
 - 1) Номінальна електрична потужність комплекту шнура або подовжувача повинна бути як мінімум такою же, як і електрична потужність приладу.
 - 2) Подовжувальний шнур повинен бути 3-провідним шнуром із заземленням.
 - 3) Довгий шнур повинен бути розташований так, щоб він не звисав з верхньої кришки або стільниці, звідки його можуть випадково потягнути діти або випадково спіткнутись.

Очищення

Обов'язково відключіть прилад від мережі живлення.

1. Очистіть піч всередині після використання злегка вологою ганчіркою.
2. Очистіть аксесуари звичайним способом у мильній воді.
3. Каркас дверцят, ущільнювач та сусідні частини у разі забруднення повинні бути ретельно очищені вологою ганчіркою.
4. Не використовуйте для чищення скла дверцят печі жорсткі абразивні чистячі засоби або гострі металеві щітки, оскільки вони можуть подряпати поверхню, а це може призвести до розбиття скла.
5. Порада для очищення --- для легшого очищення внутрішніх стінок печі, до яких може торкатися приготувана їжа:
Помістіть половину лимона в миску, додайте 300 мл (12/ пінти) води і нагрівайте на 100% потужності мікрохвильової печі протягом 10 хвилин. Протріть духовку чистою м'якою сухою ганчіркою.

ПОСУД

ОБЕРЕЖНО

Небезпека особистих травм

Для будь-кого, крім компетентної особи, небезпечно виконувати будь-які операції з обслуговування або ремонту, що включає зняття кришки, яка забезпечує захист від впливу мікрохвильової енергії. Дивіться розділ інструкції «Матеріали, які можна використовувати в мікрохвильовій печі або використання яких слід уникати».

Використання деяких неметалевих приналежностей може бути небезпечним для мікрохвильової печі. У разі сумніву можна перевірити посуд, дотримуючись наведеної нижче процедури.

Перевірка посуду:

1. Наповніть ємність для мікрохвильової печі 1 склянкою холодної води (250мл) та поставте її поруч з відповідним посудом.
2. Готуйте на максимальній потужності 1 хвилину.
3. Обережно торкніться посуду. Якщо порожній посуд теплий, не використовуйте його для готування в мікрохвильовій печі.
4. Не перевищуйте 1 хвилину часу приготування.

Матеріали, які можна використовувати в мікрохвильовій печі

Посуд	Зауваження
Блюда для запікання	Дотримуйтеся інструкцій виробника. Дно блюда для запікання повинно бути не менше 316/ дюйма (5 мм) над поворотним диском. Неправильне використання може призвести до поломки поворотного диску.
Столовий посуд	Тільки для мікрохвильових печей. Дотримуйтеся інструкцій виробника. Не використовуйте посуд з тріщинами або сколами.
Скляні банки	Завжди знімайте кришку. Використовуйте лише для нагрівання їжі, поки вона не стане теплою. Більшість скляних банок не жароміцні і можуть тріснути.
Скляний посуд	Тільки термостійкий посуд для печі. Переконайтесь, що посуд немає металевої обробки. Не використовуйте посуд з тріщинами або сколами.
Мішки для приготування в печі	Дотримуйтеся інструкцій виробника. Не закривайте металевою стяжкою. Зробіть прорізи для виходу пару.
Паперові тарілки та чашки	Використовуйте лише для короткочасного приготування/озігрівання. Не залишайте під час готування.
Паперові рушники	Використовуйте для накриття їжі в разі повторного нагрівання та поглинання жиру. Використовуйте під наглядом лише для короткочасного приготування.
Пергамент	Використовуйте в якості чохла для запобігання бризок або обгортання для пропарювання.
Пластик	Тільки для мікрохвильових печей. Дотримуйтеся інструкцій виробника. Потрібно мати позначку «Призначений для мікрохвильових печей» (Microwave Safe). Деякі пластикові контейнери розм'якшуються, оскільки їжа всередині нагрівається. «Мішки для кипіння» і щільно закриті пластикові пакети слід розрізати, прокалювати або вентилувати відповідно до вказівок на упаковці.
Пластикова упаковка	Тільки для мікрохвильових печей. Використовуйте для накриття їжі під час готування для збереження вологи. Пластикова упаковка не повинна торкатися їжі.
Восковий папір	Використовуйте в якості чохла для запобігання бризок та для збереження вологи.

Матеріали, використання яких в мікрохвильовій печі слід уникати

Посуд	Зауваження
Алюмінієвий лоток	Може викликати іскріння. Перекладіть їжу в безпечний для мікрохвильової печі посуд.
Харчова коробка з металевою ручкою	Може викликати іскріння. Перекладіть їжу в безпечний для мікрохвильової печі посуд.
Металевий посуд або посуд з металевою обробкою	Метал захищає їжу від мікрохвильової енергії. Металева обробка може спричинити іскріння.
Металеві закрутки	Може спричинити іскріння та може призвести до пожежі в печі.
Паперові пакети	Можуть призвести до пожежі в печі.
Пінопласт	Пінопласт може розплавитися або забруднити рідину всередині під впливом високої температури.
Деревина	Дерево висохне при використанні в мікрохвильовій печі і може розколотися або потріскатися.

НАСТРОЙКА І ВСТАНОВКА

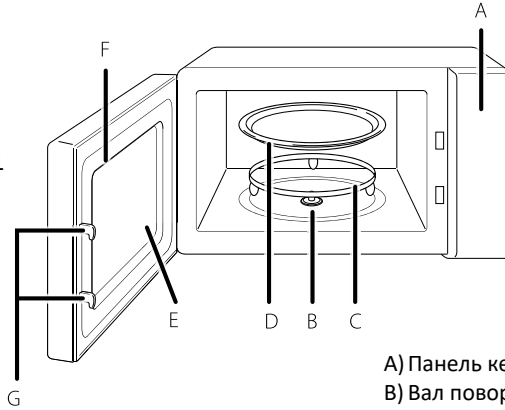
ВСТАНОВЛЕННЯ ВАШОЇ ПЕЧІ

Назви деталей та аксесуарів печі

Вийміть піч та всі матеріали з коробки та зсередини печі.

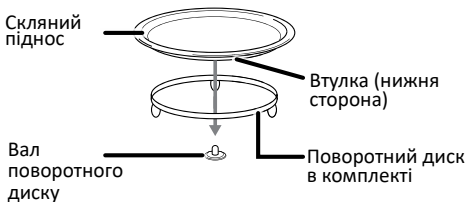
Ваша піч постачається з такими аксесуарами:

Скляний піднос 1
Поворотний диск в комплекті 1
Вал поворотного диску 1
Інструкції з експлуатації



- A) Панель керування
- B) Вал поворотного диску
- C) Поворотний диск в комплекті
- D) Скляний піднос
- E) Вікно спостереження
- F) Дверцята в комплекті
- G) Система безпеки/блокування

Установка поворотного диску



- a. Ніколи не ставте скляний піднос догори дном. Дотримуйтесь інструкцій, щоб розмістити скляний піднос на поворотному диску в правильному напрямку. Скляний піднос повинен плавно крутитися.
- B. Завжди слід використовувати як скляний піднос, так і поворотний диск під час готування.
- C. Вся їжа та ємності з їжею завжди розміщуються на скляному підносі для готування.
- D. Якщо скляний піднос або колесо поворотного диску тріснуть або зламаються, зверніться до найближчого авторизованого сервісного центру.

Установка стільниці

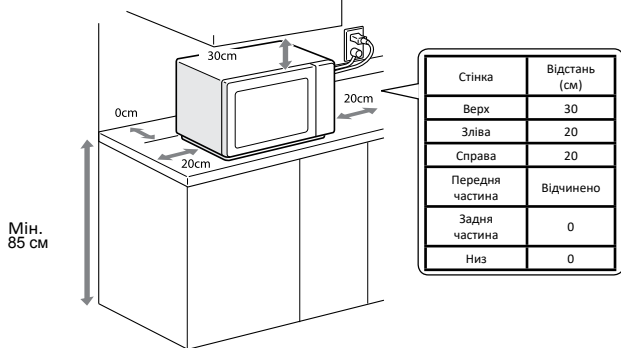
Видаліть усі пакувальні матеріали та аксесуари. Огляньте піч на наявність пошкоджень, таких як вм'ятини або зламані дверцята. Не встановлюйте при пошкодженні.

Корпус: Видаліть будь-яку захисну плівку, що знаходиться на поверхні шафи мікрохвильової печі.

Не знімайте світло-коричневу кришку слюди, яка кріпиться до корпусу печі для захисту магнетрону.

Встановлення

1. Виберіть рівну поверхню, яка забезпечує достатньо відкритого простору для впускних і/або вихідних отворів.



- (1) Мінімальна висота установки - 85 см.
- (2) Задня поверхня приладів повинна розташовуватися навпроти стіни. Залиште мінімальний зазор 30 см над піччю та мінімальний зазор 20 см між піччю та будь-якими сусідніми стінками.
- (3) Не знімайте ніжки з нижньої частини печі.
- (4) Блокування впускних і/або вихідних отворів може пошкодити піч.
- (5) Встановіть піч якомога далі від радіо та телевізора. Експлуатація мікрохвильової печі може спричинити перешкоди для прийому радіо чи телевізора.

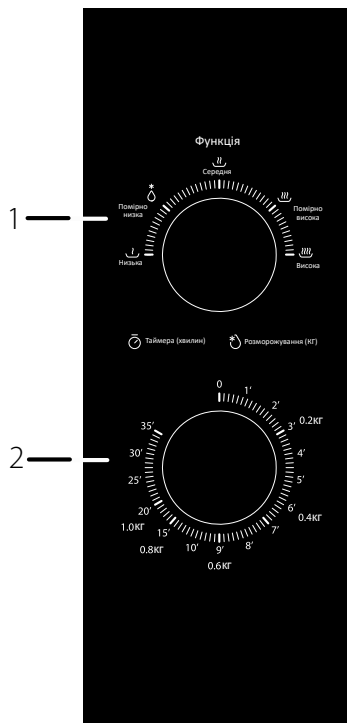
2. Підключіть піч до звичайної побутової розетки. Переконайтесь, що напруга та частота збігаються з напругою та частотою на етикетці.

ЗАСТЕРЕЖЕННЯ: Не встановлюйте піч над плитою чи іншими приладами, що виробляють тепло. У разі розташування поблизу джерела тепла або над ним піч може бути пошкоджена, а гарантія буде недійсною.

Під час роботи доступна поверхня може бути гарячою.



ЕКСПЛУАТАЦІЯ



1. Ручка POWER
2. Ручка TIMER

- Для встановлення потужності приготування поверніть регулятор POWER на потрібний рівень.
- Для встановлення часу приготування поверніть регулятор TIMER до відмітки потрібного часу відповідно до інструкції з приготування їжі.
- Мікрохвильова піч автоматично почне готувати після встановлення рівня потужності та часу.
- Після того, як час приготування мине, прилад зупиниться із звуковим сигналом.
- Якщо пристрій не використовується, завжди встановлюйте час на «0».

Функція/ Потужність	Продуктивність	Застосування
Низька	17% мікро.	Пом'якшення морозива
Серед. Низька (Розморозжування)	33% мікро.	Суп, рагу, Розм'якшування вершкового масла або Розморозжування
Серед.	55% мікро.	Тушкування, Риба
Серед. Висока	77% мікро.	Рис, Риба, Курка, М'ясо
Висока	100% мікро.	Розігрівання, Молоко, Кип'ячена вода, Овочі, Напої

Увага: Виймаючи їжу з печі, переконайтесь, що живлення духовки вимкнено, повернувши перемикач таймера на 0 (нуль). Якщо цього не зробити та використовувати мікрохвильову піч без їжі, це може призвести до перегріву та пошкодження магнетрона

УСУНЕННЯ НЕСПРАВНОСТЕЙ

Нормальний	
Мікрохвильова піч заважає приймати телевізійний сигнал	Приймання радіо та телебачення може перешкоджати роботі мікрохвильової печі. Це схоже на перешкоди невеликого електричного приладу, як змішувач.
Тьмяне світло печі	У режимі мікрохвильової печі з низькою потужністю світло печі може затьмаритися. Це нормально.
Пар накопичується на дверцятах, гаряче повітря з отворів	При приготуванні їжі може виходити пар з їжі. Більшість вийде з вентиляційних отворів. Але деякі можуть накопичуватися в прохолодному місці, наприклад, на дверцятах печі. Це нормально.
Випадково вклучили піч без їжі.	Забороняється експлуатувати пристрій без їжі всередині. Це дуже небезпечно.

Проблема	Можлива причина	Засіб усунення
Піч не вклучається.	(1) Шнур живлення не підключений щільно.	Від'єднайте вилку. Потім знову під'єднайте через 10 секунд.
	(2) Працює запобіжник або вимикач запобіжника.	Замінити запобіжник або скинути автоматичний вимикач (відремонтований кваліфікованим персоналом нашої компанії)
	(3) Проблеми з розеткою.	Перевірте розетку з іншими електричними приладами.
Піч не нагріває.	(4) Дверцята не зачиняються належним чином.	Закрийте дверцята належним чином.

