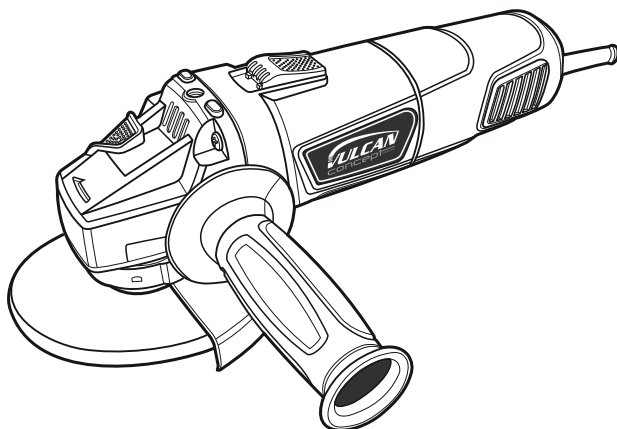


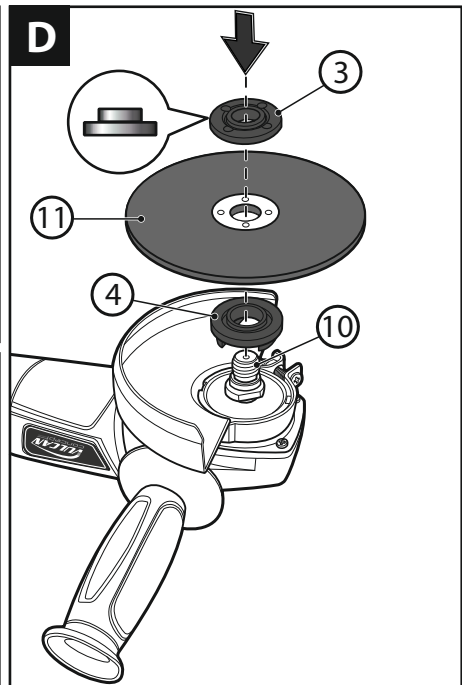
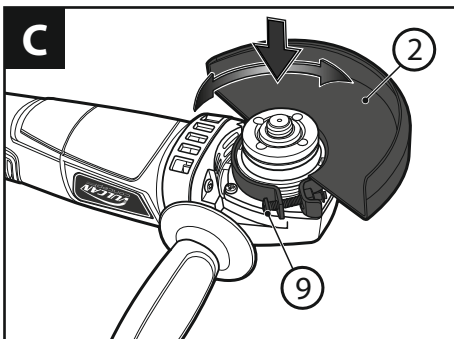
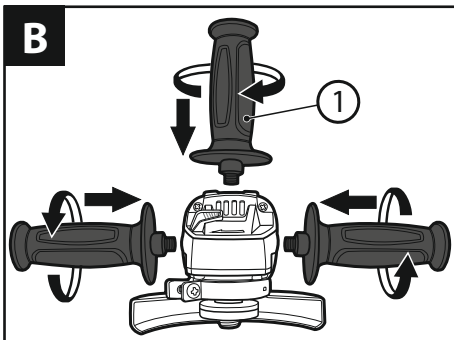
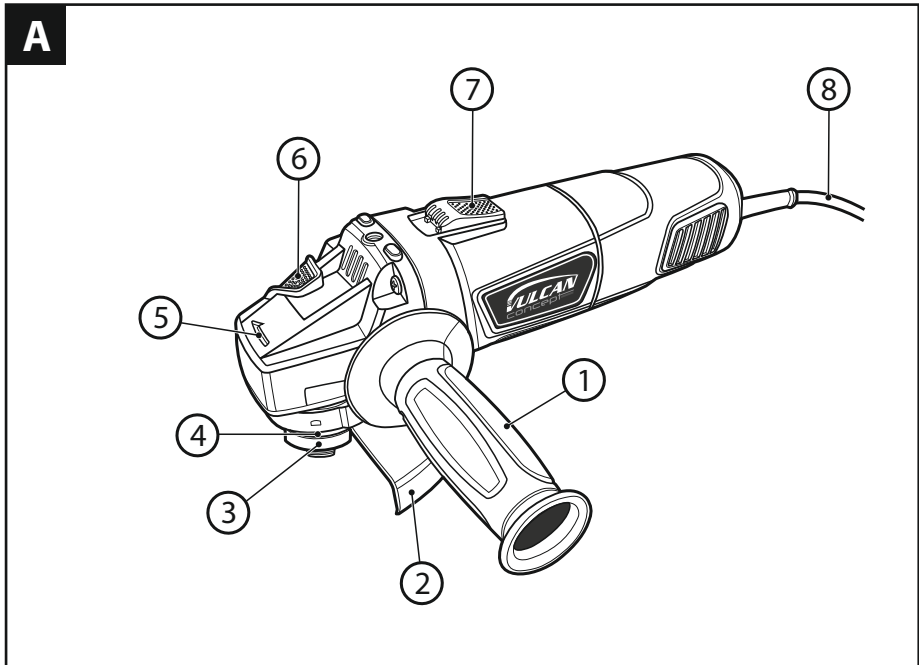
VULCAN

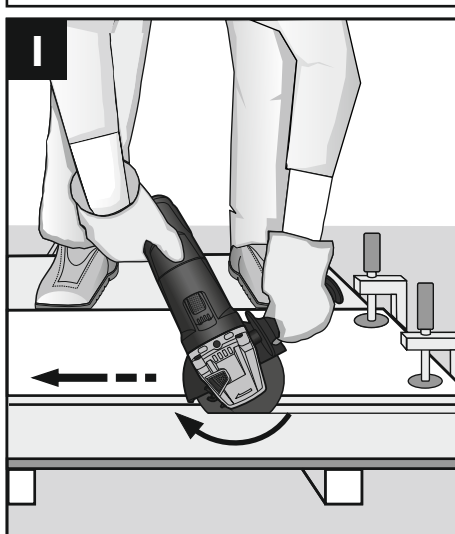
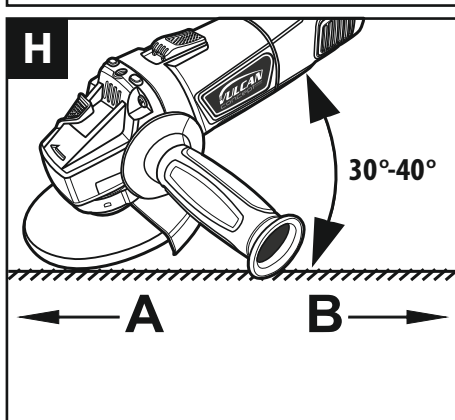
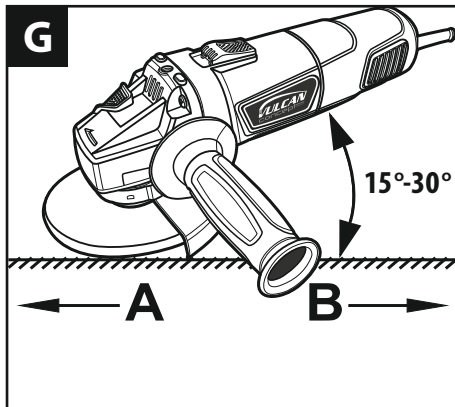
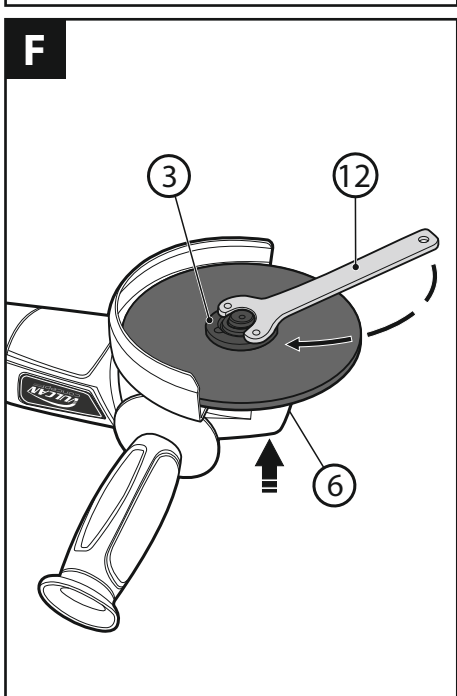
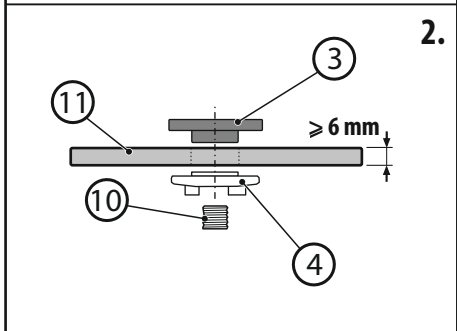
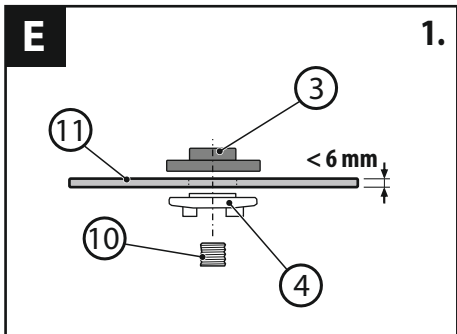
concept



VZS125P

EN	Operating instruction	ANGLE GRINDER	4
PL	Oryginalna instrukcja obsługi	SZLIFIERKA KĄTOWA	10
RU	Инструкция по эксплуатации	УГЛОВАЯ ШЛИФОВАЛЬНАЯ МАШИНА	17
RO	Instrucțiuni de folosire	POLIZORUL UNGHIULAR	25
LV	Lietošanas instrukcija	LEŅĶA SLĪPMAŠĪNA	32
CS	Návod na obsluhu	ÚHLOVÁ BRUSKA	39
HU	Használati utasítások	SZÖGCSISZOLÓ	46
LT	Naudojimo instrukcija	KAMPINIS ŠLIFUOKLIS	53








BEFORE YOU START USING THE MACHINE READ THOROUGHLY THIS MANUAL.

Keep this document for future reference.



WARNING! Read all safety warnings marked with a symbol  and all operating safety instructions.

To limit the risk of fire, electric shock and injury while using the device, follow all operating safety instructions and tips provided below.

Keep all work safety instructions and tips for future reference.

In warnings provided herein the expression "power tool" means a power tool powered from the mains (with a power cord) or a battery powered power tool (cordless).



WARNING! General work safety warnings for use of the tool.

Workplace safety:

- a) **Keep your workplace tidy and well lit.** *Untidiness and bad lighting result in higher accident rate.*
- b) **Do not use the power tool in explosive environments, created by flammable liquids, gases or dusts.** *The power tool generates sparks that can ignite dust or vapors.*
- c) **Keep children and unauthorized persons away from the place where the power tools are used.** *Inattention may result in losing control over your power tool.*



WARNING! General warnings regarding the use of power tools.

Electric safety:

- a) **Plugs used in power tools must match wall outlets. Never modify the plug of your power tool. Do not use any extension cables when operating a power tool with a grounding/earthing conductor (PE).** *Any modifications of plugs and outlets increase the risk of electric shock.*
- b) **Avoid touching earthed surfaces or grounded items like pipes, heaters, central heating radiators and refrigerators.** *Touching earthed or grounded surfaces increases the risk of electric shock.*
- c) **Do not expose your power tool to rain or damp environments.** *Water penetrating the tool increases the risk of electric shock.*
- d) **Do not damage the power cord. Never use the power cord to carry, pull the power tool and do not pull by its power cord to disconnect plug from the outlet. Keep the power cord away from sources of heat, oils, sharp edges and moving parts.** *Damaged or entangled power cords increase the risk of electric shock.*
- e) **When your power tool is operated outdoors use extension cords intended for outdoor use only. Using an extension cable intended for outdoor use decreases the risk of electric shock.**
- f) **It is recommended to connect the device to a mains supply equipped with a residual current device (RCD) with a rated current of 30 mA or less.**
- g) **When it is unavoidable to use your power tool in a damp environment use an RCD (Residual Current Device) for protection.** *The use of RCDs decreases the risk of electric shock.*



WARNING! General warnings regarding the use of power tools.

Personal safety:

- a) **This equipment is not intended for use by persons (including children) disabled physically, mentally, sensorial or persons with no experience and knowledge in operating the equipment unless they operate the equipment under supervision or follow user's instructions provided by persons responsible for their safety.**
- b) **It is necessary to predict steps, watch and keep common sense when using power tools. Do not operate power tools when you are tired, under influence of drugs, medicine or alcohol.** *A moment of inattention while operating a power tool may result in serious personal injury.*
- c) **Use personal protective equipment (PPE).** *Always wear safety goggles. Wearing personal protective equipment (PPE) including a dust mask, anti-slippery footwear, a helmet and ear protection reduces personal injury.*
- d) **Avoid unexpected start up. Before connecting your power tool to the mains and/or inserting a battery make sure its power switch is in off position.** *Carrying your power tool with a finger on its power switch or without disconnecting it from the mains (switched on) may result in an accident.*
- e) **Before starting your power tool remove any keys/wrenches.** *Leaving a key/wrench in the rotating part of your power tool may result in personal injury.*
- f) **Do not lean forward too far. Always remain stable and maintain balance.** *It will allow you to have a better control over your power tool in unpredictable situations.*
- g) **Wear appropriate clothing. Do not wear loose clothes or jewelry. Keep your hair tied. Keep your clothes away from moving parts.** *Loose clothes, jewelry or long hair may be caught by moving parts.*
- h) **If your power tool allows for using an external dust extraction or collection system, make sure it is connected and used properly. Using dust collectors may reduce dust affected risks.**
- i) **Do not let your skills gained through the frequent use of the power tool make you overconfident and disregard safety rules.** *Carelessness may cause injury in a fraction of a second.*



WARNING! General warnings regarding the use of power tools.

Use and taking care of your power tool:

- a) **Do not overload your power tool. Use a power tool with power adjusted to work being done.** *An appropriately chosen power tool will allow you to work better and safer under load it has been designed for.*
- b) **Do not use a power tool when its power switch is out of order (it does not switch it on or off).** *Any power tool with its power switch out of order is dangerous and must be repaired.*
- c) **Always disconnect the plug from the power source and/or disconnect its battery before changing any settings, performing replacement or storage.** *Such preventive measures reduce the risk of accidental power tool start up.*
- d) **Keep your power tool out of reach of children and do not allow unauthorized persons to use the power tool.** *Power tools in hands of untrained persons can be dangerous.*
- e) **Power tools require maintenance. Check power tools for concentricity or jamming of moving parts, any cracks and all**

other factors affecting the power tool work safety. If any damage to the power tool is detected, it should be repaired before use. Improper power tool maintenance is a reason for many accidents.

- f) **Cutting tools should be sharp and clean.** Keeping sharp cutting edges in good condition reduces the risk of jamming and facilitates operation.
- g) **Power tools, equipment, working tools etc. should be used according to this user's manual taking into account operating conditions and the work to be done.** Misusing a power tool can result in dangerous situations.
- h) **At low temperatures and after a long brakes in operation it is recommended to turn the power tool to operate it with no load for a few minutes to provide proper grease distribution inside its driving mechanism.**
- i) **Use soft, damp (cannot be wet) cloth and soap to clean power tools. Do not use petrol, solvents and other agents that may damage your equipment.**
- j) **Power tools can be stored/carried after making sure that all moving components are locked and protected against release with original devices intended for this purpose.**
- k) **Store power tools in a dry, dust and water-protected place.**
- l) **Carry your power tool in its original packaging to provide protection against mechanical damage.**
- m) **Keep handles and grip surfaces clean and free from oil and grease. Secure grip and control over the tool in unexpected circumstances are impossible if handles and grip surfaces are slippery.**



WARNING! General warnings regarding the use of power tools.

Repair:

- a) **Warranty and post-warranty repairs of your power tools are carried out by PROFIX Service, which guarantees the best quality or repair and use of genuine spare parts.**
- b) **If a fixed power cord is damaged, to avoid risks it should be replaced by power tool manufacturer or in a speciality repair shop or by a qualified person.**



WARNING!

While operating power tools it is necessary to observe basic work safety rules to avoid fire, electric shock or mechanical injury.

ANGLEGRINDER



Safety Warnings Common for Grinding, Sanding, Wire Brushing, Polishing or Abrasive Cutting-Off Operations:

- a) **This power tool is intended to function as a grinder, sander, wire brush, polisher or cut-off tool. Read all safety warnings, instructions, illustrations and specifications provided with this power tool. Failure to follow all instructions listed below may result in electric shock, fire and/or serious injury.**
- b) **Do not use accessories which are not specifically designed and recommended by the tool manufacturer. Just because the accessory can be attached to your power tool, it does not assure safe operation.**
- c) **The rated speed of the accessory must be at least equal to the**

maximum speed marked on the power tool. Accessories running faster than their rated speed can break and fly apart.

- d) **The outside diameter and the thickness of your accessory must be within the capacity rating of your power tool.** Incorrectly sized accessories cannot be adequately guarded or controlled.
- e) **The arbour size of wheels, flanges, backing pads or any other accessory must properly fit the spindle of the power tool.** Accessories with arbour holes that do not match the mounting hardware of the power tool will run out of balance, vibrate excessively and may cause loss of control.
- f) **Do not use a damaged accessory. Before each use inspect the accessory such as abrasive wheels for chips and cracks, backing pad for cracks, tear or excess wear, wire brush for loose or cracked wires. If power tool or accessory is dropped, inspect for damage or install an undamaged accessory. After inspecting and installing an accessory, position yourself and bystanders away from the plane of the rotating accessory and run the power tool at maximum no-load speed for one minute. Damaged accessories will normally break apart during this test time.**
- g) **Wear personal protective equipment. Depending on application, use face shield, safety goggles or safety glasses. As appropriate, wear dust mask, hearing protectors, gloves and workshop apron capable of stopping small abrasive or workpiece fragments. The eye protection must be capable of stopping flying debris generated by various operations. The dust mask or respirator must be capable of filtering particles generated by your operation. Prolonged exposure to high intensity noise may cause hearing loss.**
- h) **Keep bystanders a safe distance away from work area. Anyone entering the work area must wear personal protective equipment. Fragments of workpiece or of a broken accessory may fly away and cause injury beyond immediate area of operation.**
- i) **Hold power tool by insulated gripping surfaces only, when performing an operation where the cutting accessory may contact hidden wiring or its own cord. Cutting accessory contacting a "live" wire may make exposed metal parts of the power tool "live" and shock the operator.**
- j) **Position the cord clear of the spinning accessory. If you lose control, the cord may be cut or snagged and your hand or arm may be pulled into the spinning accessory.**
- k) **Never lay the power tool down until the accessory has come to a complete stop. The spinning accessory may grab the surface and pull the power tool out of your control.**
- l) **Do not run the power tool while carrying it at your side. Accidental contact with the spinning accessory could snag your clothing, pulling the accessory into your body.**
- m) **Regularly clean the power tool's air vents. The motor's fan will draw the dust inside the housing and excessive accumulation of powdered metal may cause electrical hazards.**
- n) **Do not operate the power tool near flammable materials. Sparks could ignite these materials.**
- o) **Do not use accessories that require liquid coolants. Using water or other liquid coolants may result in electrocution or shock.**

FURTHER SAFETY INSTRUCTIONS FOR ALL OPERATIONS

Kickback and Related Warnings:

Kickback is a sudden reaction to a pinched or snagged rotating wheel, backing pad, brush or any other accessory. Pinching or snagging causes rapid stalling of the rotating accessory which in turn causes the uncontrolled power tool to be forced in the direction opposite of the accessory's rotation at the point of the binding.

For example, if an abrasive wheel is snagged or pinched by the workpiece, the edge of the wheel that is entering into the pinch point can dig into the surface of the material causing the wheel to climb out or kick out. The wheel may either jump toward or away from the operator, depending on direction of the wheel's movement at the point of pinching. Abrasive wheels may also break under these conditions.

Kickback is the result of power tool misuse and/or incorrect operating procedures or conditions and can be avoided by taking proper precautions as given below.

- Maintain a firm grip on the power tool and position your body and arm to allow you to resist kickback forces. Always use auxiliary handle, if provided, for maximum control over kickback or torque reaction during start-up.** *The operator can control torque reactions or kickback forces, if proper precautions are taken.*
- Never place your hand near the rotating accessory.** *Accessory may kickback over your hand.*
- Do not position your body in the area where power tool will move if kickback occurs.** *Kickback will propel the tool in direction opposite to the wheel's movement at the point of snagging.*
- Use special care when working corners, sharp edges etc. Avoid bouncing and snagging the accessory.** *Corners, sharp edges or bouncing have a tendency to snag the rotating accessory and cause loss of control or kickback.*
- Do not attach a saw chain woodcarving blade or toothed saw blade.** *Such blades create frequent kickback and loss of control.*

ADDITIONAL SAFETY INSTRUCTIONS FOR GRINDING AND CUTTING-OFF OPERATIONS



Safety Warnings Specific for Grinding and Abrasive Cutting-Off Operations:

- Use only wheel types that are recommended for your power tool and the specific guard designed for the selected wheel.** *Wheels for which the power tool was not designed cannot be adequately guarded and are unsafe.*
- The guard must be securely attached to the power tool and positioned for maximum safety, so the least amount of wheel is exposed towards the operator.** *The guard helps to protect operator from broken wheel fragments and accidental contact with wheel.*
- Wheels must be used only for recommended applications. For example: do not grind with the side of cut-off wheel.** *Abrasive cut-off wheels are intended for peripheral grinding, side forces applied to these wheels may cause them to shatter.*
- Always use undamaged wheel flanges that are of correct size and shape for your selected wheel.** *Proper wheel flanges support the wheel thus reducing the possibility of wheel breakage. Flanges for*

cut-off wheels may be different from grinding wheel flanges.

- Do not use worn down wheels from larger power tools.** *Wheel intended for larger power tool is not suitable for the higher speed of a smaller tool and may burst.*



Additional Safety Warnings Specific for Abrasive Cutting-Off Operations:

- Do not "jam" the cut-off wheel or apply excessive pressure. Do not attempt to make an excessive depth of cut.** *Overstressing the wheel increases the loading and susceptibility to twisting or binding of the wheel in the cut and the possibility of kickback or wheel breakage.*
- Do not position your body in line with and behind the rotating wheel.** *When the wheel, at the point of operation, is moving away from your body, the possible kickback may propel the spinning wheel and the power tool directly at you.*
- When wheel is binding or when interrupting a cut for any reason, switch off the power tool and hold the power tool motionless until the wheel comes to a complete stop. Never attempt to remove the cut-off wheel from the cut while the wheel is in motion otherwise kickback may occur.** *Investigate and take corrective action to eliminate the cause of wheel binding.*
- Do not restart the cutting operation in the workpiece. Let the wheel reach full speed and carefully reenter the cut.** *The wheel may bind, walk up or kickback if the power tool is restarted in the workpiece.*
- Support panels or any oversized workpiece to minimize the risk of wheel pinching and kickback.** *Large workpieces tend to sag under their own weight. Supports must be placed under the workpiece near the line of cut and near the edge of the workpiece on both sides of the wheel.*
- Use extra caution when making a "pocket cut" into existing walls or other blind areas.** *The protruding wheel may cut gas or water pipes, electrical wiring or objects that can cause kickback.*



Safety Warnings Specific for Sanding Operations:

- Do not use excessively oversized sanding disc paper. Follow manufacturers recommendations, when selecting sanding paper.** *Larger sanding paper extending beyond the sanding pad presents a laceration hazard and may cause snagging, tearing of the disc or kickback.*

ADDITIONAL SAFETY INSTRUCTIONS FOR WIRE BRUSHING OPERATIONS



Safety Warnings Specific for Wire Brushing Operations:

- Be aware that wire bristles are thrown by the brush even during ordinary operation. Do not overstress the wires by applying excessive load to the brush.** *The wire bristles can easily penetrate light clothing and/or skin.*
- If the use of a guard is recommended for wire brushing, do not allow any interference of the wire wheel or brush with the guard.** *Wire wheel or brush may expand in diameter due to work load and centrifugal forces.*



Angle Grinder, Safety Warnings

Personal safety:

- Release the On/Off switch and set it to the off position when the power supply is interrupted, e. g., in case of a power failure or when the mains plug is pulled.** *This prevents uncontrolled restarting.*
- When working stone, use dust extraction. The vacuum cleaner must be approved for the extraction of stone dust.** *Using this equipment reduces dust-related hazards.*
- Use a cutting guide when cutting stone.** *Without sideward guidance, the cutting disc can jam and cause kickback.*
- When working with the machine, always hold it firmly with both hands and provide for a secure stance.** *The power tool is guided more secure with both hands.*
- Secure the workpiece.** *A workpiece clamped with clamping devices or in a vice is held more secure than by hand.*
- Never use the machine with a damaged cable. Do not touch the damaged cable and pull the mains plug when the cable is damaged while working.** *Damaged cables increase the risk of an electric shock.*

CONSTRUCTION AND APPLICATIONS OF THE GRINDER:

The angle grinder is a hand power tool powered by a single-phase commutator-based electric motor. It comes with a side handle to be mounted in two optional positions.

The tool is a Class 2 device (double insulation).

The grinder is designed for grinding and cutting metal objects, machining weld joints and, by using special tool bits (disks, brushes etc.), to remove rust and polish metal surfaces.

The tool is not suitable to machine plaster surfaces or other strong dust-producing materials. Small dust particles by penetrating into the tool block ventilation spaces, which results in overheating and burning the motor.

This electric tool is designed for jobs with medium intensity. It is not suitable for long-term operation under heavy duty conditions. **Do never use the tool for applications that need use of professional equipment.**

Each application of the tool not in line with the intended use as specified below is strictly forbidden and makes the warranty terms null and void. The manufacturer shall not be held responsible for possible consequential damage that may arise due to or in connection with such application.

Any modifications of the tool by the user relieve the manufacturer from responsibility for any damage and injuries to the user and the surroundings.

Application of the tool in accordance with the intended use also refers to its maintenance, storage, transportation and repairs.

Defective electric tools can be handed over for repairs exclusively to service workshops appointed by the tool manufacturer. The tools supplied from electric grid shall be repaired exclusively by authorized electricians.

Proper use cannot guarantee that no residual risk will occur. Due to the design of the machine, the following risks may occur:

- Touching of the working accessory during its operation within the

unshielded area of the tool;

- Scalding while the working accessory is being replaced (During its operation the working accessories are getting extremely hot. To avoid scalding operators must wear protecting gloves to replace the working accessories;
- Throwing a machined part or pieces of a machined part;
- Fracture/cracking of the working accessory;
- Damage of hearing when appropriate hearing protectors are not used;
- Emission dust hazardous for human health when works are carried out in closed rooms (confined areas).

THE SET CONTAINS:

- Grinder - 1 piece
- Disk guard - 1 piece
- Side handle - 1 piece
- Fixing flange - 1 piece
- Compression nut - 1 piece
- Pin wrench - 1 piece
- Warranty card - 1 piece
- Operating instruction - 1 piece

DRAWING DESCRIPTION A, B, C, D, E, F (page 2-3) :

1. Side handle
2. Disk guard
3. Compression nut
4. Fixing flange
5. Rotation direction arrow
6. Spindle lock button
7. On/off switch
8. Power cord
9. Fixing screw
10. Spindle
11. Disk
12. Pin wrench

TECHNICAL DATA:

MODEL	VZS125P
Rated voltage	230-240 V
Rated frequency	50 Hz
Power consumption	750 W
Speed	11000 rpm
Max. disk diameter/ hole diameter	125 mm / 22 mm
Spindle thread	M14
Equipment class	□/II
Power cord length	2 m
Weight	2,0 kg
Sound pressure level (LpA)	88,7 dB(A), ±3dB(A)
Sound power level (LwA)	99,7 dB(A), ±3dB(A)
Vibration level according to EN 60745 (measuring tolerance = 1,5m/s ²)	11,786 m/s ²

The vibration level value given refers to basic application of the tool. If the tool is used for other applications or with other tools, or if it is not maintained properly, the vibration level may differ from the values given. The above-mentioned causes may lead to higher exposure to vibrations during the whole work time.

One must implement additional safety measures to protect the operators from exposure to vibrations, such as maintenance of the electric tool and work tools, assurance of proper hand temperature, or determination of the sequence of work operations.

The declared total vibrations and declared noise emissions were measured in accordance with a standard test method and may be used for tool comparison.

The declared total vibrations and noise emissions can be used in preliminary exposure assessment.

Warnings:

The vibrations and noise emissions during the actual use of the power tool may differ from the declared values depending on how the tool is used and on the type of the workpiece in particular.

Determine safeguards to protect the operator. They should be based on the estimated exposure under actual operational conditions (taking into account all parts of the operating cycle such as when the tool is switched off or idle except the start time).

BEFORE YOU START WORKING:

1. Make sure that the power source parameters match the parameters presented on the grinder nameplate.
2. Make sure that the grinder power switch (7) is in off position.
3. When using an extension cable make sure the extension cable parameters and conductor sections match the grinder parameters. It is recommended to use the shortest extension cables possible. The extension cable should be fully unbound.

■ Mounting the side handle

NOTE: For safety reasons always use the side handle (1).

Depending on working requirements the handle can be inserted in one of the three openings provided in grinder's head (see: Fig. B, p.2).

■ Mounting the disk guard

NOTE: Before you install or remove the disk guard, make sure that the device switch is in off position and that it is disconnected from the mains.

To cut or grind with grinding or cutting disks it is necessary to install the disk guard (2). Adjust the guard position to the operation performed. The closed side of the guard should be always directed towards the operator. To install the disk guard:

- Place the grinder with the spindle (10) up.
- Install the blade guard (2) as shown in Figure C, page 2, and secure by screwing in the fixing screw (9).

■ Grinding tools assembly (see: Fig. D, E, F p.3)

NOTE: Before you install or remove the grinding disk, make sure that the device switch is in off position and that it is disconnected from the mains.

Before installation clean the grinder spindle and all fixing components.

Make sure the admissible size and speed of the grinding disk matches the parameters presented on the grinder nameplate. The grinding disk should be installed without any clearance on the fixing flange. Do not use any reduction washers or adapters.

To install a disk:

1. Place the grinder with the spindle (10) up. Insert the fixing flange (4) with its bottom projecting part with a groove onto the spindle shaft to mesh the flange on the spindle.
2. Insert a disk (11) with its convex part down onto the upper projecting part of the fixing flange.
3. Screw the compression nut (3) onto the spindle to secure the disk properly. (The compression nut has a concave and convex side. Depending on the rated disk thickness it can be applied on one or the other side. (see: Fig. E p.3).
4. Press the spindle lock button (6) and tighten the nut using the pin wrench (12) exerting a slight force as the nut automatically tightens up during operation. Observing this recommendation will help avoiding damage to the motoreducer casing during the disk removal.

NOTE: The spindle lock button (6) can be pressed only when the spindle is stopped! Never use a disk with improper maximum admissible speed!

■ Trial start up

After inserting a disk and after connecting the grinder to the mains check whether the disk is properly fixed and whether it rotates without any obstacles.

The initial/trial start up should be carried out away from people.

Trial operation period	At first start up	1 minute or more
	After disk replacement	3 minutes or more

REGULAR OPERATION:

■ Switching on/off

To turn on the angle grinder push the switch (7) until it locks in position.

To turn the tool off press the rear part of the on/off switch (a spring automatically moves the switch back to off position).

NOTE: Never put the grinder aside when the switch is locked. When the tool is not used disconnect the power cord plug from the mains.

■ Tips regarding the operation

- The objects to be machined that do not rest securely under their own weight should be fixed properly.
- Avoid excessive pressure exerted on the disk. Grinding should be carried out using the weight of the tool. Only slight pressure is allowed when cutting. Excessive pressure reduces the disk speed, which results in producing rough surfaces. In addition, it results in overheating and damage to the motor.

■ Grinding direction

When using a new grinding disk move the grinder back (B direction) (see: Fig. G, p.3), then the new disk edge will be rounded, which will allow the user to move the tool in any direction.

■ Grinding angle

Do not use the whole disk surface to grind, use its edge only.

For efficient grinding the angle between the disk and machined part should range from approx. 15° to 30° (see: Fig. G, p.3).

■ Rough grinding

For best rough grinding efficiency the angle between the disk and machined surface should range from approx. 30° to 40° (see: Fig. H, p.3).

The tool should be slightly pressed against the surface and smoothly

moved along the material. Thanks to the right pressure the machined part does not heat up excessively, does not lose its color and no grooves or other roughness will appear on its surface.

NOTE: *Never use cutting disks to grind/remove layers.*

■ Cutting

While cutting with the tool do not exert excessive pressure, do not tilt and do not oscillate. Move the tool at a constant speed adjusted to the material machined.

Do not brake the rotating disk by pressing it against other objects.

NOTE: *Observe proper cutting direction. Cutting should be carried out at the direction shown on the disk (see: Fig.1, p.3). Do not cut in opposite direction! Otherwise the tool may be pulled out from the cutting line.*

STORAGE AND MAINTENANCE:

The tool does not require any special maintenance. Store it away from children, keep clean and protect against humidity and dust. Storage conditions should exclude any mechanical damage or harmful weather factors.

This device meets the requirements of national and European standards and safety guidelines. Any repair can be carried out only by qualified personnel using original spare parts.

■ Cleaning

To provide safe and efficient operation, the grinder casing and ventilation openings should be free from dust deposits and other pollutants. We recommend that you clean the grinder directly after each use.

Wipe the grinder with a clean, slightly wet cloth with a small amount of soap. Do not use any cleaning agents or solvents; they can damage parts made of plastics. Protect the grinder's inner parts against water.

After using the tool in dusty atmosphere it is recommended to clean the ventilation openings with compressed air to avoid damage to the bearings and remove dust blocking the air used for cooling the motor.

TROUBLESHOOTING:

The electric tool fails to switch on or works with breaks:

- check whether the power cord (8) is correctly plugged in and the electric power outlet is energized;
- check condition of carbon brushes and replace them if necessary.

NOTE! *Carbon brushes can be replaced only by competent electricians.*

- if the defect persists, the tool fails to work despite of voltage presence and carbon brushes are in good condition, hand the tool over for repair to an authorized workshop to the address specified in the warranty card.

TRANSPORT:

Store and transport the grinder in its transport box to protect it against humidity, dust penetration and small objects; remember to protect its

ventilation openings. Small objects after getting into the casing can result in damage to the motor.

MANUFACTURER:

PROFIX Ltd.,

34 Marywilka Street, 03-228 Warsaw, POLAND

PROTECTION OF THE ENVIRONMENT:



NOTE! *The symbol nearby denotes that old equipment must never be thrown away together with other waste (with the penalty of a fine). Hazardous components of electronic equipment may adversely affect the natural environment and human health.*

Each household may contribute to the recovery and reuse (recycling) of old machinery and equipment. Both in Poland and Europe a system for recovery of used equipment either exists or is being created. The system obliges all organizations that sell such equipment to collect the used machinery and appliances. Moreover, general purpose collecting points for such equipment are available.

PICTOGRAMS:

Explanation of the icons located on the nominal plate and the information tags:



«**WARNING!** Read this instruction before switching on the power supply and starting the work»



«**Always wear safety goggles**»



«**Wear hearing protection**»



«**Wear a dust mask**»



«**Wear protective gloves**»



The policy of the PROFIX company consists in permanent improvements of the offered products and therefore the company reserves the right to make amendments to the product specification without a prior notice. The images included into the operation manual are only of the exemplary nature and may slightly differ from actual appearance of the device purchased.


This instruction manual is protected by copyright. Copying it without the written consent of PROFIX Co. Ltd. is prohibited.



PRZED PRZYSTĄPIENIEM DO UŻYTKOWANIA NALEŻY ZAPOZNAĆ SIĘ Z NINIEJSZĄ INSTRUKCJĄ.

Zachowaj instrukcję do ewentualnego przyszłego wykorzystania.



OSTRZEŻENIE! Należy przeczytać wszystkie ostrzeżenia dotyczące bezpieczeństwa użytkowania oznaczone symbolem  i wszystkie wskazówki dotyczące bezpieczeństwa użytkowania.

Nieprzestrzeganie podanych niżej ostrzeżeń dotyczących bezpieczeństwa i wskazówek dotyczących bezpieczeństwa może być przyczyną porażenia prądem elektrycznym, pożaru i/lub poważnych obrażeń.

Zachowaj wszystkie ostrzeżenia i wskazówki dotyczące bezpieczeństwa, aby móc skorzystać z nich w przyszłości.

W podanych niżej ostrzeżeniach wyrażenie „elektronarzędzie” oznacza elektronarzędzie zasilane z sieci (z przewodem zasilającym) lub elektronarzędzie zasilane z akumulatora (bezprowodowe).



OSTRZEŻENIE! Ogólne ostrzeżenia dotyczące bezpieczeństwa użytkowania narzędzia.

Bezpieczeństwo w miejscu pracy:

- W miejscu pracy należy utrzymywać porządek i dobre oświetlenie. *Nieporządek i złe oświetlenie przyczynia się do wypadków.*
- Nie należy używać elektronarzędzia w środowiskach wybuchowych, tworzonych przez łatwo palne ciecze, gazy lub pyły. *Elektronarzędzie wytwarza iskry, które mogą zapalić pył lub opary.*
- Nie należy dopuszczać dzieci i obserwatorów do miejsc, w których używa się elektronarzędzi. *Rozproszenie uwagi może spowodować utratę kontroli nad elektronarzędziem.*



OSTRZEŻENIE! Ogólne ostrzeżenia dotyczące bezpieczeństwa użytkowania narzędzia.

Bezpieczeństwo elektryczne:

- Wtyczki elektronarzędzi muszą pasować do gniazdek. Nigdy w żaden sposób nie należy przerabiać wtyczki. Nie należy używać żadnych przedłużaczy w przypadku elektronarzędzi mających przewód z żyłą uziemienia ochronnego. Brak przeróbek we wtyczkach i gniazdkach wtyczkowych zmniejsza ryzyko porażenia prądem elektrycznym.
- Należy unikać dotykania powierzchni uziemionych lub zwartych z masą, takich jak rury, ogrzewacze, grzejniki centralnego ogrzewania i chłodziarki. *W przypadku dotknięcia części uziemionych lub zwartych z masą, wzrasta ryzyko porażenia prądem elektrycznym.*
- Nie należy narażać elektronarzędzi na działanie deszczu lub warunków wilgotnych. *W przypadku przedostania się do elektronarzędzia wody, wzrasta ryzyko porażenia prądem elektrycznym.*
- Nie należy nadwierać przewodów przyłączeniowych. Nigdy nie należy używać przewodu przyłączeniowego do przenoszenia, ciągnięcia elektronarzędzia lub wyciągania wtyczki z gniazdka. Należy trzymać przewód przyłączeniowy z daleka od źródeł ciepła, olejów, ostrych krawędzi lub ruchomych części. *Uszkodzone lub zaplątane przewody przyłączeniowe zwiększają ryzyko porażenia prądem elektrycznym.*
- W przypadku, gdy elektronarzędzie używa się na wolnym powietrzu, przewody przyłączeniowe należy przedłużać

przedłużaczami przeznaczonymi do pracy na wolnym powietrzu. *Używanie przedłużacza przeznaczonego do pracy na wolnym powietrzu zmniejsza ryzyko porażenia prądem elektrycznym.*

- Zaleca się podłączenie urządzenia do sieci elektrycznej wyposażonej w wyłącznik różnicowo-prądowy (RCD) o prądzie wyłączenia 30mA lub mniejszym.
- W przypadku, gdy używanie elektronarzędzia w środowisku wilgotnym jest nieuniknione, jako ochronę przed napięciem zasilania należy stosować urządzenie różnicowoprądowe (RCD). *Zastosowanie RCD zmniejsza ryzyko porażenia prądem elektrycznym.*



OSTRZEŻENIE! Ogólne ostrzeżenia dotyczące bezpieczeństwa użytkowania narzędzia.

Bezpieczeństwo osobiste:

- Niniejszy sprzęt nie jest przeznaczony do użytkowania przez osoby (w tym dzieci) o ograniczonej zdolności fizycznej, czuciowej lub psychicznej, lub osoby nie mające doświadczenia lub znajomości sprzętu, chyba że odbywa się to pod nadzorem lub zgodnie z instrukcją użytkownika sprzętu, przekazanej przez osoby odpowiadające za ich bezpieczeństwo.
- Należy być przewidującym, obserwować co się robi i zachowywać rozsądek podczas używania elektronarzędzia. *Nie należy używać elektronarzędzia, gdy jest się zmęczonym lub pod wpływem narkotyków, alkoholu lub leków. Chwila nieuwagi podczas pracy elektronarzędziem może spowodować poważne osobiste obrażenia.*
- Należy stosować wyposażenie ochronne. Należy zawsze zakładać okulary ochronne. *Używanie w odpowiednich warunkach wyposażenia ochronnego, takiego jak maska przeciwpyłowa, obuwie antypoślizgowe, kask lub ochronniki słuchu, zmniejszy osobiste obrażenia.*
- Należy unikać niezamierzonego rozruchu. *Przed przyłączeniem do źródła zasilania i/lub przed podłączeniem akumulatora oraz zanim podniesie się lub przeniesie się narzędzie należy upewnić się, że wyłącznik elektronarzędzia jest w pozycji wyłączony. Przenoszenie elektronarzędzia z palcem na wyłączniku lub przyłączenie elektronarzędzia do sieci zasilającej przy wyłączonym wyłączniku może być przyczyną wypadku.*
- Przed uruchomieniem elektronarzędzia należy usunąć wszystkie klucze. *Pozostawienie klucza w obracającej się części elektronarzędzia może spowodować osobiste obrażenia.*
- Nie należy wychylać się za daleko. *Należy cały czas stać pewnie i zachować równowagę. Umożliwi to lepszą kontrolę nad elektronarzędziem w sytuacjach nieprzewidywalnych.*
- Należy odpowiednio się ubierać. *Nie należy nosić luźnego ubrania ani biżuterii. Należy utrzymywać swoje włosy, ubranie i rękawiczki z dala od części ruchomych. Luźne ubranie, biżuteria lub długie włosy mogą zostać zacementowane przez części ruchome.*
- Jeżeli urządzenia są przystosowane do przyłączenia zewnętrznego odciągu pyłu i pochłaniacza pyłu, należy upewnić się, że są one przyłączone i prawidłowo użyte. *Użycie pochłaniacza pyłu może zredukować zagrożenia zależne od zapylenia.*
- Nie pozwól, aby umiejętności uzyskane dzięki częstemu korzystaniu z elektronarzędzia pozwoliły Ci poczuć się pewnym siebie i zignorować zasady bezpieczeństwa. *Nieostrożne działanie*

może spowodować poważne obrażenia w ułamku sekundy.



OSTRZEŻENIE! Ogólne ostrzeżenia dotyczące bezpieczeństwa użytkowania narzędzia.

Użytkowanie i troska o elektronarzędzie:

- a) Nie należy elektronarzędzia przeciążać. Należy stosować elektronarzędzie o mocy odpowiedniej do wykonywanej pracy. Właściwe elektronarzędzie umożliwi pracę lepszą i bezpieczniejszą przy obciążeniu, na jakie zostało zaprojektowane.
- b) Nie należy używać elektronarzędzia, jeżeli łącznik go nie załącza i nie wyłącza. Każde elektronarzędzie, którego nie można załączać lub wyłączać łącznikiem, jest niebezpieczne i musi zostać naprawione.
- c) Należy odłączyć wtyczkę ze źródła zasilania elektronarzędzia i/lub odłączyć akumulator przed wykonaniem każdej nastawy, wymiany części lub magazynowaniem. Takie zapobiegawcze środki bezpieczeństwa redukuje ryzyko przypadkowego rozruchu elektronarzędzia.
- d) Nieużywane elektronarzędzie należy przechowywać poza zasięgiem dzieci i nie należy pozwalać osobom niezaznajomionym z elektronarzędziem lub niniejszą instrukcją na używanie elektronarzędzia. Elektronarzędzia są niebezpieczne w rękach nieprzeszkolonych użytkowników.
- e) Elektronarzędzia należy konserwować. Należy sprawdzać współosiowość lub zakleszczenie się części ruchomych, pęknięcia części i wszystkie inne czynniki, które mogą mieć wpływ na pracę elektronarzędzia. Jeżeli stwierdzi się uszkodzenia, należy elektronarzędzie przed użyciem naprawić. Przyczyną wielu wypadków jest niefachowy sposób konserwacji elektronarzędzia.
- f) Narzędzia tnące powinny być ostre i czyste. Odpowiednie utrzymywanie ostrych krawędzi narzędzi tnących zmniejsza prawdopodobieństwo zakleszczenia i ułatwia obsługę.
- g) Elektronarzędzie, wyposażenie, narzędzia robocze itp. należy stosować zgodnie z niniejszą instrukcją, biorąc pod uwagę warunki pracy i rodzaj pracy do wykonania. Używanie elektronarzędzia w sposób, do którego nie jest przewidziane, może spowodować niebezpieczne sytuacje.
- h) W niskich temperaturach, lub po dłuższym okresie nie użytkowania, zalecane jest włączenie elektronarzędzia bez obciążenia na okres kilku minut w celu właściwego rozprowadzenia smaru w mechanizmie napędu.
- i) Do czyszczenia elektronarzędzi stosować miękką, wilgotną (nie mokra) szmatkę i mydło. Nie stosować benzyny, rozpuszczalników i innych środków mogących uszkodzić urządzenie.
- j) Elektronarzędzie należy przechowywać/ transportować po upewnieniu się, że wszystkie jego elementy ruchome są zablokowane i zabezpieczone przed odblokowaniem za pomocą oryginalnych elementów do tego przeznaczonych.
- k) Elektronarzędzie należy przechowywać w miejscu suchym, zabezpieczone przed kurzem i wnikaniem wilgoci.
- l) Transportowanie elektronarzędzia powinno odbywać się w opakowaniu oryginalnym, zabezpieczającym przed uszkodzeniami mechanicznymi.
- m) Uchwyty i powierzchnie chwytne należy utrzymywać czyste i

wolne od oleju i smaru. Śliskie uchwyty i powierzchnie chwytne nie pozwalają na bezpieczne trzymanie i kontrolę narzędzia w nieoczekiwanych sytuacjach.



OSTRZEŻENIE! Ogólne ostrzeżenia dotyczące bezpieczeństwa użytkowania narzędzia.

Naprawa:

- a) Naprawy gwarancyjne i pogwarancyjne swoich elektronarzędzi wykonuje Serwis PROFIX, co gwarantuje najwyższą jakość napraw oraz stosowanie oryginalnych części zamiennych.
- b) Jeżeli przewód zasilający nieodłącznie ulegnie uszkodzeniu, to powinien on być wymieniony u wytwórcy lub w specjalistycznym zakładzie naprawczym w celu uniknięcia zagrożenia.



OSTRZEŻENIE!

Podczas pracy narzędziem elektrycznym zaleca się zawsze przestrzegać podstawowych zasad bezpieczeństwa pracy, w celu uniknięcia wybuchu pożaru, porażenia prądem elektrycznym lub obrażenia mechanicznego.

SZLIFIERKA KĄTOWA



Wskazówki bezpieczeństwa dotyczące szlifowania, szlifowania papierem ściernym, pracy z użyciem szcztok drucianych i przecinania ściernicą:

- a) Niniejsze elektronarzędzie może być stosowane jako szlifierka zwykła, szlifierka do szlifowania papierem ściernym, do szlifowania szcztokami drucianymi i jako urządzenie do przecinania ściernicowego. Należy stosować się do wszystkich wskazówek bezpieczeństwa, instrukcji, opisów i danych, dostarczonych wraz z elektronarzędziem. Niestosowanie się do wszystkich zaleceń i instrukcji podanych poniżej może spowodować niebezpieczeństwo porażenia prądem, pożaru i/lub poważnych obrażeń ciała.
- b) Nie należy używać osprzętu, który nie jest zaprojektowany, przewidziany i polecany przez producenta specjalnie do tego elektronarzędzia. Fakt, że osprzęt daje się zamontować do elektronarzędzia, nie gwarantuje bezpiecznego użycia i obsługi.
- c) Znamionowa prędkość obrotowa stosowanego narzędzia roboczego powinna być co najmniej równa maksymalnej prędkości obrotowej elektronarzędzia. Dopuszczalna prędkość obrotowa stosowanego narzędzia roboczego nie może być mniejsza niż podana na elektronarzędziu maksymalna prędkość obrotowa. Narzędzie robocze, obracające się z szybszą niż dopuszczalna prędkością, może się złamać, a jego części odprysnąć.
- d) Zewnętrzna średnica i grubość narzędzia roboczego muszą mieścić się w zakresie dopuszczalnym dla tego elektronarzędzia. Narzędzia robocze o niewłaściwych wymiarach nie mogą być wystarczająco osłonięte lub kontrolowane.
- e) Średnice otworu ściernic, tarcz szlifierskich, kołnierzy, tarcz mocujących oraz innego osprzętu muszą dokładnie pasować do wrzeciona elektronarzędzia. Narzędzia robocze, z otworami nie pasującymi dokładnie do wrzeciona ściernicy elektronarzędzia, obracając się nierównomiernie, bardzo mocno wibrują i mogą spowodować utratę kontroli nad elektronarzędziem.

- f) W żadnym wypadku nie należy używać uszkodzonych narzędzi roboczych. Przed każdym użyciem należy skontrolować oprzyrządowanie, np. ściernice pod kątem odprysków i pęknięć, talerze szlifierskie pod kątem pęknięć, starcia lub silnego zużycia, szczotki druciane pod kątem luźnych lub złamanych drutów. Jeżeli elektronarzędzie lub narzędzie robocze upadnie, należy sprawdzić, czy nie uległo ono uszkodzeniu, lub użyć innego, nieuszkodzonego narzędzia. Po sprawdzeniu i zamocowaniu narzędzia roboczego, stanąć w innej płaszczyźnie niż płaszczyzna obrotu narzędzia, upewnić się, że nie ma osób postronnych w płaszczyźnie obrotu narzędzia. Elektronarzędzie należy włączyć na minutę na najwyższe obroty, zwracając przy tym uwagę, by osoba obsługująca i osoby postronne znajdujące się w pobliżu, znalazły się poza strefą obracającego się narzędzia. Uszkodzone narzędzia łamią się najczęściej w tym czasie próbnym.
- g) Należy stosować środki ochrony osobistej. W zależności od rodzaju pracy, należy nosić maskę ochronną pokrywającą całą twarz, ochronę oczu lub okulary ochronne. W stosownych przypadkach należy użyć maski przeciwpyłowej, ochrony słuchu, rękawic ochronnych, fartucha, chroniącego przed małymi cząstkami materiału ściernego lub obrabianego materiału. Środki ochrony oczu muszą być zdolne do zatrzymania latających odłamków generowanych podczas wykonywania różnych operacji. Maski przeciwpyłowe i środki ochrony dróg oddechowych powinny filtrować cząsteczki pyłu wytwarzane podczas pracy. Długotrwałe narażenie na hałas o wysokiej intensywności może spowodować utratę słuchu.
- h) Należy uważać, by osoby postronne znajdowały się w bezpiecznej odległości od miejsca pracy i strefy zasięgu elektronarzędzia. Każdy, kto znajduje się w pobliżu pracującego elektronarzędzia, musi używać osobistego wyposażenia ochronnego. Odłamki obrabianego przedmiotu lub pęknięte narzędzia robocze mogą odpryskiwać i spowodować obrażenia również poza bezpośrednią strefą zasięgu.
- i) Trzymać elektronarzędzie za izolowane powierzchnie podczas wykonywania prac, przy których elektronarzędzie mogłyby natrafić na ukryte przewody elektryczne lub na własny przewód. Pod wpływem kontaktu z przewodami będącymi pod napięciem, wszystkie części metalowe elektronarzędzia znajdują się również pod napięciem i mogą spowodować porażenie prądem operatorem.
- j) Przewód sieciowy należy trzymać z dala od obracających się narzędzi roboczych. W przypadku utraty kontroli nad narzędziem, przewód sieciowy może zostać przecięty lub wciągnięty, a dłoń lub cała ręka mogą dostać się w obracające się narzędzie robocze.
- k) Nigdy nie wolno odkładać elektronarzędzia przed całkowitym zatrzymaniem się narzędzia roboczego. Obracające się narzędzie może wejść w kontakt z powierzchnią, na którą jest odłożone, przez co można stracić kontrolę nad elektronarzędziem.
- l) Nie wolno uruchamiać elektronarzędzia skierowanego tarczą w kierunku operatora.
- m) Nie wolno przenosić elektronarzędzia, znajdującego się w ruchu. Przypadkowy kontakt ubrania z obracającym się narzędziem

roboczym może spowodować jego wciągnięcie i przyciągnięcie narzędzia roboczego do ciała operatora.

- n) Należy regularnie czyścić szczeliny wentylacyjne elektronarzędzia. Wentylator silnika może wciągnąć kurz do obudowy, nadmierne nagromadzenie pyłu metalowego może spowodować zagrożenie elektryczne.
- o) Nie należy używać elektronarzędzia w pobliżu materiałów łatwopalnych. Iskry mogą spowodować ich zapłon.
- p) Nie należy używać narzędzi, które wymagają płynnych środków chłodzących. Użycie wody lub innych płynnych środków chłodzących może doprowadzić do porażenia prądem.

INSTRUKCJE BEZPIECZEŃSTWA DLA WSZYSTKICH OPERACJI

Odrzut i związane z nim ostrzeżenia:

Odrzut jest nagłą reakcją elektronarzędzia na zablokowanie lub zacięcie obracającego się narzędzia (ściernica, tarcza szlifierska, szczotka druciana). Zakleszczenie lub zacięcie powoduje nagłe zatrzymanie się obracającego się narzędzia, co z kolei prowadzi do utraty kontroli nad elektronarzędziem. Niekontrolowane elektronarzędzie zostanie przez to szarpnięte w kierunku przeciwnym do kierunku obrotu narzędzia roboczego.

Na przykład gdy ściernica zatnie się lub zakleszczy w obrabianym przedmiocie, zanurzone w materiale krawędź ściernicy może się zablokować i spowodować jej wypadnięcie lub odrzut. Ściernica może odskoczyć w kierunku do lub od operatora w zależności od kierunku obrotu ściernicy w miejscu zablokowania. Oprócz tego ściernice mogą się również złamać.

Odrzut jest wynikiem niewłaściwego lub błędnego użycia elektronarzędzia. Można go uniknąć podejmując odpowiednie środki ostrożności podane poniżej.

- a) Należy mocno trzymać elektronarzędzie, a ciało i ręce ustawić w pozycji, umożliwiającej złagodzenie odrzutu. Zawsze należy używać uchwytu pomocniczego jeżeli wchodzi on w skład wyposażenia standardowego, żeby mieć jak największą kontrolę nad siłami odrzutu lub momentem obrotowym podczas rozruchu. Operator może opanować szarpnięcia i zjawisko odrzutu poprzez zachowanie odpowiednich środków ostrożności.
- b) Nie należy nigdy trzymać rąk w pobliżu obracających się narzędzi roboczych. Narzędzie robocze może wskutek odrzutu zranić rękę.
- c) Nie zajmować pozycji ciała w obszarze, w którym elektronarzędzie może odskoczyć podczas odrzutu. Na skutek odrzutu, elektronarzędzie przemieszcza się w kierunku przeciwnym do ruchu ściernicy w miejscu zablokowania.
- d) Należy szczególnie ostrożnie obrabiać narożniki, ostre krawędzie itd. Należy zapobiegać temu, by narzędzia robocze podskakiwały podczas pracy, zostały odbite lub zostały zablokowane. Obracające się narzędzie robocze jest bardziej podatne na zakleszczenie przy obróbce kątów, ostrych krawędzi lub gdy zostanie odbite. Może to stać się przyczyną utraty kontroli lub odrzutu.
- e) Nie wolno montować tarcz do cięcia drewna lub tarcz zębatych. Narzędzia robocze tego typu często powodują odrzut lub utratę kontroli nad elektronarzędziem.

DODATKOWE WSKAZÓWKI BEZPIECZEŃSTWA PODCZAS OPERACJI SZLIFOWANIA I PRZECINANIA



Zasady bezpieczeństwa podczas operacji szlifowania i przecinania ściernicą:

- Należy używać wyłącznie ściernic, które są zalecane dla elektronarzędzia oraz specjalnych osłon przeznaczonych dla danej ściernicy. Ściernice dla, których elektronarzędzie nie jest zaprojektowane nie mogą być wystarczająco osłonięte i są niebezpieczne.
- Ostona musi być dobrze przymocowana do elektronarzędzia, a jej ustawienie musi gwarantować jak największy stopień bezpieczeństwa tak, żeby w kierunku operatora tarcza była osłonięta w jak największym stopniu. Ostona ma ochraniać osobę obsługującą przed odłamkami i przypadkowym kontaktem ze ściernicą.
- Ściernic można używać tylko zgodnie z ich przeznaczeniem. Np. nie wolno szlifować boczną powierzchnią ściernicy tarczowej do cięcia. Tarczowe ściernice tnące przeznaczone są do usuwania materiału krawędzią tarczy. Siły boczne przyłożone do tych tarcz mogą wywołać drgania i mogą je złamać.
- Zawsze używać nieuszkodzonych kołnierzy mocujących o prawidłowej wielkości i kształcie dla wybranej ściernicy. Kołnierze podtrzymują ściernicę, zmniejszając tym samym możliwość zniszczenia ściernicy. Kołnierze do ściernic tnących mogą się różnić od kołnierzy do tarcz szlifierskich.
- Nie należy używać zużytych ściernic z większych elektronarzędzi. Tarcze przeznaczone do większych elektronarzędzi nie nadają się do wyższych prędkości, która jest charakterystyką mniejszych elektronarzędzi i mogą się dlatego złamać.



Dodatkowe wskazówki bezpieczeństwa dla przecinania:

- Nie wiskać tarczy tnącej lub nie stosować za dużego nacisku. Nie należy przeprowadzać nadmiernie głębokich cięć. Przeciążenie tarczy tnącej podwyższa jej obciążenie i jej podatność na skręcenie lub wyginanie podczas cięcia i tym samym zwiększa możliwość odrzutu lub zniszczenia, złamania się tarczy.
- Nie należy stawać w jednej linii z obracającą się tarczą tnącą. Oddalenie tarczy tnącej w kierunku od siebie może spowodować, że ewentualny odrzut może wypchnąć ściernicę i elektronarzędzie w kierunku operatora.
- W przypadku zakleszczenia się tarczy tnącej lub przerwy w pracy, elektronarzędzie należy wyłączyć i odczekać, aż tarcza całkowicie się zatrzyma. Nigdy nie należy próbować wyciągać poruszającej się jeszcze tarczy z miejsca cięcia, gdyż może to wywołać odrzut. Należy wykrzyć i usunąć przyczynę zakleszczenia się tarczy.
- Nie uruchamiać elektronarzędzia, dopóki znajduje się ono w materiale. Przed kontynuacją cięcia, tarcza tnąca powinna osiągnąć swoją pełną prędkość obrotową. W przeciwnym wypadku ściernica może się zapęcić, wyskoczyć z przedmiotu obrabianego lub spowodować odrzut.
- Płyty lub duże przedmioty należy przed obróbką podeprzeć, aby zminimalizować ryzyko zakleszczenia się tarczy i odrzutu. Duże przedmioty mogą się ugiąć pod ciężarem własnym.

Podpory powinny być ustawione z obydwu stron, zarówno w pobliżu linii cięcia jak i przy krawędzi.

- Należy zachować szczególną ostrożność przy wykonywaniu cięć wgłębnych w istniejących ścianach lub operowaniu niewidocznych obszarach. Wgłębiająca się w materiał tarcza tnąca może, natrafić na przewody gazowe wodociągowe, przewody elektryczne lub inne przedmioty które mogą spowodować odrzut.



Dodatkowe wskazówki bezpieczeństwa podczas szlifowania:

- Nie używać zbyt wielkich arkuszy papieru ściernego. Przy wyborze wielkości papieru ściernego, należy postępować zgodnie zaleceniami producenta. Duży papier ścierny, wystający poza płytę szlifierską może spowodować obrażenia, a także doprowadzić do zablokowania lub rozdarcia papieru lub do odrzutu.

DODATKOWE WSKAZÓWKI BEZPIECZEŃSTWA DLA PRACY Z UŻYCIEM SZCZOTEK DRUCIANYCH



Zasady bezpieczeństwa podczas czyszczenia powierzchni szczotką drucianą:

- Należy pamiętać, że nawet przy normalnym użytkowaniu dochodzi do utraty kawałeczków druta przez szczotkę. Nie należy przeciągać drutów przez zbyt duży nacisk na szczotkę. Unoszące się w powietrzu kawałki drutów mogą z łatwością przebić przez cienkie ubranie i/lub skórę.
- Jeżeli zalecane jest użycie osłony, należy zapobiec kontaktowi szczotki z osłoną. Średnica szczotek może się zwiększyć z powodu obciążenia i siły odśrodkowe.



Szlifierka, ostrzeżenia dotyczące bezpieczeństwa

Bezpieczeństwo osobiste:

- W przypadku przerwy w dopływie zasilania, np. po awarii prądu lub po wyjęciu wtyczki z gniazdka, należy odblokować włącznik/wyłącznik i ustawić go w pozycji wyłączonej. W ten sposób można zapobiec niezamierzonemu włączeniu elektronarzędzia.
- Przy obróbce kamienia należy zastosować odsysanie pyłu. Odkurzacz musi być dostosowany do odsysania pyłu kamiennego. Użycie tych urządzeń zmniejsza zagrożenie pyłem.
- Do cięcia kamienia należy użyć przewodnicy saneczkowej. Bez przewodnicy bocznej tarcza tnąca może się zakleszczyć i spowodować odrzut.
- Elektronarzędzie należy trzymać podczas pracy mocno w obydwu rękach i zapewnić bezpieczną pozycję pracy. Elektronarzędzie prowadzone jest bezpieczniej w obydwu rękach.
- Należy zabezpieczyć obrabiany przedmiot. Zamocowanie obrabianego przedmiotu w urządzeniu mocującym lub imadle jest bezpieczniejsze niż trzymanie go w ręku.
- Nie wolno używać elektronarzędzia z uszkodzonym przewodem. Nie należy dotykać uszkodzonego przewodu; w przypadku uszkodzenia przewodu podczas pracy, należy wyciągnąć wtyczkę z gniazda. Uszkodzone przewody podwyższają ryzyko porażenia prądem.

BUDOWA I PRZEZNACZENIE SZLIFIERKI:

Szlifierka kątowa jest ręcznym elektronarzędziem napędzanym silnikiem jednofazowym, komutatorowym. Wyposażona jest w uchwyt pomocniczy z możliwością montażu w dwóch opcjonalnych gniazdach.

Urządzenie w drugiej klasie sprzętu (podwójna izolacja).

Szlifierka przeznaczona jest do szlifowania i cięcia elementów metalowych, obróbki spoin spawalniczych, a przy zastosowaniu odpowiednich narzędzi (tarcze, szcztoki itp.), do czyszczenia rdzy i polerowania powierzchni metalowych.

Narzędzie nie jest przeznaczone do obróbki powierzchni gipsowych, lub podobnych, silnie pyłących. Drobnny pył wnikać do wnętrza maszyny powoduje blokowanie przestrzeni wentylacyjnych, co prowadzi do przegrzania i spalania silnika.

Dane elektronarzędzie jest przeznaczone do robót o przeciętnej intensywności. Nie nadaje się do długotrwałych robót w ciężkich warunkach. **Nie wolno wykorzystywać narzędzia do wykonywania prac wymagających zastosowania profesjonalnego urządzenia.**

Każde użycie elektronarzędzia niezgodne z przeznaczeniem podanym wyżej jest zabronione i powoduje utratę gwarancji oraz brak odpowiedzialności producenta za powstałe w wyniku tego szkody.

Jakiegolwiek modyfikacje urządzenia dokonane przez użytkownika zwalniają producenta z odpowiedzialności za uszkodzenia i szkody wyrządzone użytkownikowi i otoczeniu.

Poprawne użytkowanie elektronarzędzia dotyczy także konserwacji, składowania, transportu i napraw.

Elektronarzędzie może być naprawiane wyłącznie w punktach serwisowych wyznaczonych przez producenta. Urządzenia zasilane z sieci powinny być naprawiane tylko przez osoby uprawnione.

Pomimo zgodnego z przeznaczeniem stosowania nie można całkowicie wyeliminować określonych czynników ryzyka resztkowego. Ze względu na konstrukcję i budowę maszyny mogą wystąpić następujące niebezpieczeństwa:

- Dotknięcie narzędzia roboczego w trakcie pracy w nieosłoniętym obrębie urządzenia;
- Oparzenie przy wymianie narzędzia roboczego. (Podczas pracy narzędzie robocze bardzo się rozgrzewa, żeby uniknąć oparzenia przy jego wymianie należy stosować rękawice ochronne);
- Odrzucenie przedmiotu obrabianego lub części przedmiotu obrabianego;
- Pęknięcie/złamanie narzędzia roboczego;
- Uszkodzenia słuchu w wypadku nieostrosowania koniecznej ochrony słuchu;
- Szkodliwe dla zdrowia emisje pyłów w przypadku wykonywania prac w zamkniętych pomieszczeniach.

KOMPLETACJA:

- Szlifierka - 1szt.
- Oslona tarczy - 1szt.
- Uchwyt pomocniczy - 1szt.
- Kołnierz mocujący - 1szt.
- Nakrętka zaciskowa - 1szt.
- Klucz widełkowy - 1szt.
- Karta gwarancyjna - 1szt.
- Instrukcja obsługi - szt.

OPIS RYSUNKÓW A, B, C, D, E, F (str.2-3):

1. Uchwyt pomocniczy
2. Oslona tarczy
3. Nakrętka zaciskowa

4. Kołnierz mocujący
5. Strzałka wskazująca kierunek obrotów
6. Przycisk blokady wrzeciona
7. Włącznik
8. Przewód zasilający
9. Wkręt mocujący
10. Wrzeciono
11. Tarcza
12. Klucz widełkowy

DANE TECHNICZNE:

MODEL	VZS125P
Napięcie nominalne	230-240 V
Częstotliwość nominalna	50 Hz
Moc pobierana	750 W
Prędkość obrotowa	11000 /min
Maks. średnica tarczy/średnica otworu	125 mm / 22 mm
Gwint wrzeciona	M14
Klasa sprzętu	□/II
Długość przewodu zasilającego	2 m
Masa	2,0 kg
Poziom ciśnienia akustycznego (LpA)	88,7dB(A), ±3dB(A)
Poziom mocy akustycznej (LwA)	99,7 dB(A), ±3dB(A)
Poziom wibracji wg EN 60745 (tolerancja pomiaru - 1,5m/s ²)	11,786 m/s ²

Podany poziom drgań jest reprezentatywny dla podstawowych zastosowań elektronarzędzia. Jeżeli elektronarzędzie użyte zostanie do innych zastosowań lub z innymi narzędziami roboczymi, a także jeśli nie będzie wystarczająco konserwowane, poziom wibracji może odbiegać od podanego.

Podane powyżej przyczyny mogą spowodować podwyższenie ekspozycji na wibracje podczas całego czasu pracy. Należy wprowadzić dodatkowe środki bezpieczeństwa, mające na celu ochronę operatora przed skutkami ekspozycji na wibracje, np.: konserwacja elektronarzędzia i narzędzi roboczych, ustalenie kolejności operacji roboczych.

Deklarowana całkowita wartość drgań i deklarowane wartości emisji hałasu zostały zmierzone zgodnie z standardową metodą badawczą i mogą być wykorzystane do porównania jednego narzędzia z innym.

Deklarowane wartości całkowite drgań i deklarowane wartości emisji hałasu można wykorzystać we wstępnej ocenie narażenia.

Ostrzeżenia:

Wibracje i emisja hałasu podczas rzeczywistego użytkowania elektronarzędzia mogą różnić się od deklarowanych wartości w zależności od sposobu, w jaki narzędzia są używane, w szczególności od rodzaju obrabianego przedmiotu.

Należy określić środki bezpieczeństwa w celu ochrony operatora, które opierają się na oszacowaniu narażenia w rzeczywistym stanie użytkowania (biorąc pod uwagę wszystkie części cyklu operacyjnego, takie jak czas, w których narzędzie jest wyłączone i kiedy pracuje na biegu jałowym z wyjątkiem czasu wyzwalania).

PRZED PRZYSTĄPIENIEM DO PRACY:

1. Upewnić się, że źródło zasilania ma parametry odpowiadające parametrom szlifierki podanym na tabliczce znamionowej.

- Upewnić się że włącznik (7) szlifierki jest w pozycji wyłączenia.
- W przypadku pracy z przedłużaczem należy upewnić się że parametry przedłużacza, przekroje przewodów, odpowiadają parametrom szlifierki. Zaleca się stosowanie jak najkrótszych przedłużaczy. Przedłużacz powinien być całkowicie rozwinęty.

■ Montaż uchwytu pomocniczego

UWAGA: Ze względów bezpieczeństwa, przy wszystkich pracach urządzeniem należy zawsze stosować uchwyt pomocniczy (1).

W zależności od wymagań roboczych uchwyt pomocniczy należy wkręcić do oporu w jedno z trzech gniazd w głowicy szlifierki (patrz: rys. B, str. 2).

■ Montaż osłony tarczy

UWAGA: Przed zdejmowaniem i zakładaniem osłony tarczy, należy upewnić się, czy urządzenie jest wyłączone i odłączone od zasilania.

Do prac z użyciem tarcz szlifierskich lub ściernic tarczowych do cięcia musi być zamontowana osłona tarczy (2). Pozycję osłony tarczy należy dostosować do rodzaju pracy. Zamknięta strona osłony musi zawsze być od strony operatora. Aby zamontować osłonę tarczy, należy:

- Umieścić szlifierkę tak, żeby wrzeciono (10) było skierowane do góry.
- Żałować osłonę tarczy (2), jak jest pokazane na rysunku C na str. 2, i zabezpieczyć wkrętem mocującym (9), przykręcając go śrubokrętem Ph2.

■ Montaż narzędzi szlifierskich (patrz: rys. D, E, F, str. 3)

UWAGA: Przed zdejmowaniem i zakładaniem narzędzi szlifierskich, należy upewnić się, czy urządzenie jest wyłączone i odłączone od zasilania.

Przed montażem należy oczyścić wrzeciono szlifierki i wszystkie elementy mocujące.

Należy stwierdzić zgodność dopuszczalnych rozmiarów i prędkości obrotowych/obwodowych narzędzi szlifierskich, umieszczonych na etykietach kontrolnych narzędzia szlifierskiego i szlifierki. Tarcza szlifierska powinna być osadzona bez luzów na kołnierzu mocującym. Nie stosować podkładek redukcyjnych lub adapterów.

Aby zamontować tarczę należy:

- Umieścić szlifierkę wrzecionem (10) do góry. Nasadzić kołnierzą mocujący (4) dolną wystającą częścią z rowkiem na trzpień wrzeciona tak, żeby kołnierzą zaszył się na wrzecionie.
- Nasadzić tarczę (11) wypukłą częścią w dół na górną wystającą część kołnierza mocującego.
- Nakręcić nakrętkę zaciskową (3) na wrzeciono tak, aby tarcza została dokładnie umocowana. (Nakrętka zaciskowa ma wklęsłą i wypukłą stronę. W zależności od nominalnej grubości wykorzystywanej tarczy może być nakręcana jedną lub drugą stroną (patrz: rys. Estr. 3)).
- Wcisnąć przycisk blokady wrzeciona (6) i dokręcić kluczem widełkowym (12) z niewielką siłą nakrętkę zaciskową, gdyż podczas dalszej pracy nakrętka ta dociska się samoczynnie. Takie działanie pozwoli uniknąć uszkodzeń obudowy reduktora przy zdejmowaniu tarczy.

UWAGA: Przycisk blokady wrzeciona (6) wciskać wyłącznie przy nieruchomym wrzecionie!

Nigdy nie używać tarcz z nieodpowiednią maksymalną prędkością obrotową!

■ Próbné uruchomienie

Po zamontowaniu narzędzia szlifierskiego i przed włączeniem

urządzenia sprawdzić, czy narzędzie zostało prawidłowo zamontowane i czy może się swobodnie obracać.

Próbné włączenie szlifierki należy wykonywać z dala od ludzi.

Czas próbnego włączania	Przy pierwszym uruchomieniu	1 minuta lub więcej
	Po wymianie tarczy	3 minuty lub więcej

PRACA:

■ Włączanie/wyłączenie

Szlifierkę uruchamia się włącznikiem (7) przesuwając go do przodu do pozycji zablokowania.

Szlifierkę wyłącza się przez naciśnięcie tylnej części przycisku włącznika (sprężyna włącznika automatycznie przesunie włącznik do pozycji wyłączenia).

UWAGA: Nigdy nie odkładać szlifierki przy zablokowanym włączniku. Należy wyciągnąć wtyczkę przewodu zasilającego z gniazda, gdy nie używamy narzędzia.

■ Wskazówki dotyczące pracy

- Należy zamocować obrabiany przedmiot, jeśli nie spoczywa bezpiecznie i pewnie pod własnym ciężarem.
- Należy unikać nadmiernego nacisku na tarczę. Szlifowanie wykonuje się przy wykorzystaniu wagi szlifierki. Stosować wyłącznie lekki nacisk podczas cięcia. Zbyt mocny nacisk na tarczę powoduje zmniejszenie prędkości obrotowej, co jest przyczyną powstania chropowatych powierzchni przy szlifowaniu. Dodatkowo jest przyczyną przegrzewania się i uszkodzenia silnika.

■ Kierunek szlifowania

Przy użyciu nowej tarczy do szlifowania należy najpierw poprowadzić szlifierkę do tyłu (kierunek B) (patrz: rys. G, str. 3), wtedy krawędź nowej tarczy zaokrągli się, co pozwoli łatwo przemieszczać szlifierkę w dowolnym kierunku.

■ Kątszlifowania

Nie używać całej powierzchni tarczy przy szlifowaniu, a wyłącznie jej krawędzi.

Skuteczne szlifowanie jest osiągalne przy utrzymaniu między szlifierką a obrabianym materiałem kąta od ok. 15° do 30° (patrz: rys. G, str. 3).

■ Szlifowanie zgrubne

Najlepsze efekty pracy przy szlifowaniu zgrubnym osiągają się przy prowadzeniu tarczy szlifierskiej pod kątem od 30° do 40° odnośnie obrabianej powierzchni (patrz: rys. H, str. 3).

Urządzenie z umiarkowaną siłą przyciskać do szlifowanego elementu i płynnie przesuwać po obrabianym materiale. Dzięki odpowiedniej sile docisku obrabiany element nie nagrzeje się za bardzo, nie przeferbuje oraz nie powstaną w trakcie szlifowania rowki lub inne nierówności na jego powierzchni.

UWAGA: W żadnym przypadku nie stosować tarcz tnących do zdzierania / szlifowania.

■ Cięcie

W czasie cięcia nie naciskać zbyt mocno na urządzenie, nie przekrzywiać, nie oscylować. Należy pracować z równomiernym, optymalnie dopasowanym do danego typu materiału posuwem.

Nie hamować obracających się narzędzi poprzez boczne dociskanie

urządzeniem do innych przedmiotów.

UWAGA: Ważny jest kierunek cięcia. Cięcie powinno odbywać się w kierunku zgodnym z kierunkiem obrotów tarczy (patrz: rys.1, str. 3). Nie pracować urządzeniem w innym kierunku! W przeciwnym wypadku może dojść do niekontrolowanego wyrwania urządzenia z linii cięcia.

PRZECHOWYWANIE I KONSERWACJA:

Maszyna w zasadzie nie wymaga specjalnych zabiegów konserwacyjnych. Maszynę należy przechowywać w miejscu, niedostępnym dla dzieci, utrzymywać w stanie czystości, chronić przed wilgocią i zapyleniem. Warunki przechowywania powinny wykluczać możliwość uszkodzeń mechanicznych oraz wpływ szkodliwych warunków atmosferycznych.

Niniejsze urządzenie jest zgodne z normami krajowymi i europejskimi, oraz z wytycznymi bezpieczeństwa. Wszelkie naprawy muszą być przeprowadzane przez wykwalifikowany personel, używając oryginalnych części zamiennych.

■ Czyszczenie

Aby zapewnić bezpieczną i wydajną pracę, obudowa szlifierki i szczeliny wentylacyjne muszą być wolne od pyłu i zanieczyszczeń. Zaleca się czyszczenie urządzenia bezpośrednio po każdorazowym użyciu.

Szlifierkę wycierać czystą wilgotną ściereczką, z niewielką ilością mydła. Nie używać żadnych środków czyszczących ani rozpuszczalników; mogą one uszkodzić części urządzenia wykonane z tworzywa sztucznego. Należy uważać, aby do wnętrza urządzenia nie dostała się woda.

Po pracy w środowisku silnie pyłącym zaleca się przedmuchiwanie sprężonym powietrzem otworów wentylacyjnych, zapobiegnie to uszkodzeniom łożysk i usunie pył blokujący dopływ powietrza chłodzącego silnik.

TYPOWE USTERKI I ICH USUWANIE:

Elektronarzędzie nie włącza się lub przerywa pracę:

- sprawdzić czy przewód zasilający (8) jest prawidłowo podłączony oraz dopływ prądu do gniazda zasilającego;
- sprawdzić stan szczotek węglowych i w razie potrzeby wymienić.

UWAGA! Wymianę szczotek węglowych może wykonać tylko uprawniony elektryk.

- jeżeli elektronarzędzie nadal nie działa, pomimo że jest zasilane napięciem i ma nieużyte szczotki węglowe, należy je wysłać do serwisu naprawczego na adres podany w karcie gwarancyjnej.

TRANSPORT:

Szlifierkę transportować i składować w opakowaniu transportowym, chroniącym przed wilgocią, wnikaniem pyłu i drobnych obiektów,

zwłaszcza należy zabezpieczyć otwory wentylacyjne. Drobne elementy, które dostaną się wewnątrz obudowy mogą uszkodzić silnik.

PRODUCENT:

PROFIX Sp. z o.o.,
ul. Marywilska 34,
03-228 Warszawa

OCHRONA ŚRODOWISKA:



UWAGA: Przedstawiony symbol oznacza zakaz umieszczenia zużytego sprzętu łącznie z innymi odpadami (z zagrożeniem karą grzywny). Składniki niebezpieczne znajdujące się w sprzęcie elektrycznym i elektronicznym wpływają negatywnie na środowisko naturalne i zdrowie ludzi.

Gospodarstwo domowe powinno przyczyniać się do odzysku i ponownego użycia (recyklingu) zużytego sprzętu. W Polsce i w Europie tworzone jest lub już istnieje system zbierania zużytego sprzętu, w ramach którego wszystkie punkty sprzedaży ww. sprzętu mają obowiązek przyjmować zużyty sprzęt. Ponadto istnieją punkty zbiórki ww. sprzętu.

PIKTOGRAMY:

Objaśnienia ikonek znajdujących się na tabliczce znamionowej i naklejkach informacyjnych:



«Ostrzeżenie! Przed uruchomieniem przeczytać instrukcję obsługi»



«Zawsze stosować okulary ochronne»



«Stosować środki ochrony słuchu»



«Stosować maskę przeciwpyłową»



«Stosować rękawice ochronne»



Polityka firmy PROFIX jest polityką stałego udoskonalania swoich produktów i dlatego firma rezerwuje sobie prawo zmiany specyfikacji wyrobu bez uprzedniego zawiadomienia. Obrazki, podane w instrukcji obsługi, są przykładowe i mogą się nieznacznie różnić od rzeczywistego wyglądu zakupionego urządzenia.


Niniejsza instrukcja jest chroniona prawem autorskim. Kopiowanie/ powielanie jej bez pisemnej zgody firmy Profix Sp. z o.o. jest zabronione.



ПЕРЕД НАЧАЛОМ ЭКСПЛУАТАЦИИ НЕОБХОДИМО ОЗНАКОМИТЬСЯ С НАСТОЯЩЕЙ ИНСТРУКЦИЕЙ.

Хранить инструкцию для возможного применения в будущем.



ПРЕДУПРЕЖДЕНИЕ! Необходимо ознакомиться со всеми предупреждениями, касающимися безопасности при эксплуатации, обозначенными символом  и всеми указаниями по технике безопасности.

Несоблюдение указанных ниже предупреждений, касающихся безопасности и указаний по технике безопасности может привести к поражению электрическим током, пожару и/или серьезным травмам тела.

Необходимо хранить все предупреждения и указания, касающиеся техники безопасности, чтобы можно было воспользоваться ними в будущем.

В указанных ниже предупреждениях слово „электроинструмент“ означает электроинструмент с питанием от сети (посредством электрического кабеля) или электроинструмент, питаемый от аккумулятора (беспроводное питание).



ПРЕДУПРЕЖДЕНИЕ! Общие предупреждения, касающиеся безопасности при эксплуатации инструмента.

Техника безопасности на рабочем месте:

- Необходимо поддерживать порядок и хорошее освещение на рабочем месте. Беспорядок и плохое освещение являются причиной несчастных случаев.
- На следует использовать электроинструмент во взрывоопасной среде, образующейся легко воспламеняющимися жидкостями, газами или пылью. Электроинструмент создаёт искры, которые могут привести к воспламенению пыли или испарений.
- Не допускать детей и наблюдателей в места, в которых применяются электроинструменты. Отвлечение внимания может привести к потере контроля над электроинструментом.



ПРЕДУПРЕЖДЕНИЕ! Общие предупреждения, касающиеся безопасности при эксплуатации инструмента.

Электробезопасность:

- Штепсельные вилки должны соответствовать сетевым розеткам. Ни в коем случае не переделывать каким-либо образом штепсельную вилку. Не применять каких-либо удлинителей электропитания в случае использования электроинструментов, имеющих провод электропитания с защитным заземляющим проводником. *Отсутствие переделок штепсельных розеток и сетевых розеток снижает опасность поражения электрическим током.*
- Необходимо избегать прикосновения к поверхности заземлённых или закороченных на массу элементов, таких как трубы, нагреватели, радиаторы центрального отопления и холодильные агрегаты. В случае прикосновения заземлённого или закороченного на массу элемента увеличивается опасность поражения электрическим током.
- Не подвергать электроинструменты воздействию дождя

или влажных условий. В случае попадания в электроинструмент воды увеличивается опасность поражения электрическим током.

- Не создавать опасности повреждения кабеля электропитания. Ни в коем случае не использовать кабеля электропитания, чтобы переносить или тянуть электроинструмент или для извлечения штепсельной вилки из розетки. Кабель электропитания должен находиться вдали от источников тепла, масел, острых краёв и движущихся частей. *Повреждённые или запутанные кабели электропитания увеличивают опасность поражения электрическим током.*
- Если электроинструмент эксплуатируется на свежем воздухе, следует использовать удлинители кабеля электропитания, предназначенные для работы вне помещений. *Использование удлинителя кабеля электропитания, предназначенного для работы вне помещений, снижает опасность поражения электрическим током.*
- Рекомендуется подключение устройства к электрической сети, снабжённой выключателем остаточного тока (RCD) с током выключения 30 мА или менее.
- Если эксплуатация электроинструмента во влажной среде неизбежна, в качестве защиты от напряжения питания необходимо использовать защитное устройство по разностному току (RCD). *Применение защитного устройства по разностному току снижает опасность поражения электрическим током.*



ПРЕДУПРЕЖДЕНИЕ! Общие предупреждения, касающиеся безопасности при эксплуатации инструмента.

Индивидуальная безопасность:

- Настоящее оборудование не предназначено для эксплуатации лицами (включая детей) с физическими, сенсорными или умственными ограничениями или лицами, не имеющими опыта или не знающими оборудования, разве что это осуществляется под надзором или в соответствии с инструкцией по эксплуатации оборудования, переданной лицами, отвечающими за их безопасность.
- Необходимо быть предусмотрительным, наблюдать за работой и руководствоваться здравым смыслом во время эксплуатации электроинструмента. Не следует эксплуатировать электроинструмент в состоянии переутомления или находясь под действием наркотиков, алкоголя или лекарств. *Менование невнимания во время эксплуатации электроинструмента может быть причиной травмы пользователя.*
- Необходимо применять средства личной защиты. **Необходимо обязательно работать с защитными очками.** *Применение в соответствующих условиях средств личной защиты, таких как противопыльный респиратор, противоскользящая обувь, каска или средства защиты слуха снизит риск получения травмы.*
- Необходимо избегать случайного запуска в работу.

Прежде чем вставить вилку кабеля электропитания в сетевую розетку или подключить аккумулятор, а также перед тем, как поднять или перенести электроинструмент, необходимо убедиться, что выключатель электроинструмента находится в положении «выключено». Перенос электроинструмента с пальцем на выключателе или подключение электроинструмента к сети питания при включенном выключателе может привести к несчастному случаю.

- д) Прежде, чем запустить электроинструмент в работу, необходимо устранить все ключи. Ключ, оставшийся во вращающейся части электроинструмента, может привести к травме пользователя.
- е) Не следует слишком сильно наклоняться. Необходимо всё время сохранять устойчивость и равновесие. Это позволяет лучше контролировать электроинструмент в неожиданных ситуациях.
- ж) Необходимо иметь соответствующую одежду. Не работать в свободной одежде или с бижутерией. Необходимо, чтобы волосы пользователя, его одежда и рукавицы находились вдали от движущихся элементов. Свободная одежда, бижутерия или длинные волосы могут быть зацеплены движущимися частями.
- з) Если оборудование приспособлено для присоединения внешнего пылеотвода (пылеулавливающего устройства) и поглотителя пыли, необходимо убедиться, что они присоединены и правильно применяются. Применение поглотителей пыли может уменьшить опасность, связанную с запыленностью.
- и) Не позволяйте, чтобы навыки, приобретенные благодаря частому пользованию электроинструментом, позволили Вам почувствовать себя самоуверенно и проигнорировать правила техники безопасности. Неосторожные действия могут вызвать серьезные травмы в течение доли секунды.



ПРЕДУПРЕЖДЕНИЕ! Общие предупреждения, касающиеся безопасности при эксплуатации инструмента.

Эксплуатация и уход за электроинструментом:

- а) Не допускать перегрузки электроинструмента. Применять электроинструмент с мощностью, соответствующей выполняемой работе. Надлежащий электроинструмент позволит лучше и безопаснее работать при нагрузке, на которую он рассчитан.
- б) Не следует применять электроинструмент, если его выключатель не включается и не выключается. Каждый электроинструмент, который не может включаться или выключаться выключателем, представляет опасность и должен быть передан на ремонт.
- в) Необходимо отсоединить штепсельную вилку от источника питания электроинструмента и/или отсоединить аккумулятор прежде чем выполнить какую-либо установку, замену части или складирование устройства. Такие предупредительные меры безопасности снижают риск случайного запуска электроинструмента в работу.
- г) Неиспользуемый электроинструмент следует хранить в

недоступном для детей месте и не разрешать тем, кто незнаком с электроинструментом или настоящей инструкцией, пользоваться электроинструментом.

Электроинструмент опасен в руках необученных пользователей.

- д) Следует выполнять технический уход за электроинструментом. Необходимо проверить соосность или отсутствие заедания (заземления) подвижных элементов, трещин частей, а также все другие факторы, могущие влиять на работу электроинструмента. В случае обнаружения неисправности, необходимо выполнить ремонт электроинструмента. Причиной многих несчастных случаев является непрофессиональный способ выполнения технического ухода.
- е) Режущий инструмент должен быть острым и чистым. Соответствующее содержание и уход за острыми кромками режущего инструмента снижает вероятность защемления и упрощает обслуживание.
- ж) Электроинструмент, оснащение, рабочие инструменты и т. п. необходимо применять в соответствии с настоящей инструкцией, учитывая рабочие условия и вид выполняемой работы. Применение электроинструмента не по назначению может привести к опасным ситуациям.
- з) При низкой температуре или после длительного перерыва в эксплуатации рекомендуется включение электроинструмента без нагрузки на несколько минут с целью распределения смазки в механизме привода.
- и) Для чистки электроинструмента применять мягкую, влажную (не мокрую) тряпку и мыло. Не применять бензина, растворителей и других средств, могущих повредить устройство.
- й) Электроинструмент следует хранить/ транспортировать, убедившись, что все его подвижные элементы заблокированы и защищены от разблокировки при помощи оригинальных элементов, предназначенных для этой цели.
- к) Электроинструмент должен храниться в сухом месте и быть защищенным от пыли и проникания влаги.
- л) Транспортировку электроинструмента необходимо выполнять в оригинальной упаковке, защищающей от механических повреждений.
- м) Держатели и хватательные поверхности следует содержать в чистоте, устранив с них масло и смазку. Сколько держатели и хватательные поверхности не позволяют безопасно держать инструмент и контролировать его в случае возникновения неожиданных ситуаций.



ПРЕДУПРЕЖДЕНИЕ! Общие предупреждения, касающиеся безопасности при эксплуатации инструмента.

Ремонт:

- а) Гарантийный и послегарантийный ремонт своих электроинструментов выполняет сервисная служба компании PROFIX, что гарантирует высочайшее качество ремонта и использование оригинальных запчастей.
- б) Если неотсоединяемый кабель электропитания поврежден, он должен быть заменен на предприятии-

изготовителе или специализированном ремонтном предприятии, либо квалифицированным лицом, что позволит избежать опасности.



ПРЕДУПРЕЖДЕНИЕ!

Во время работы с электроинструментом следует обязательно соблюдать основные меры безопасности при работе, чтобы избежать взрыва, пожара, поражения электрическим током, или механической травмы.

УГЛОВАЯ ШЛИФОВАЛЬНАЯ МАШИНА



Указания по технике безопасности при шлифовке, шлифовке наждачной (абразивной) бумагой, работе с использованием металлических щёток и резке шлифовальным кругом:

- a) Настоящий электроинструмент может использоваться, как обычная шлифовальная машина, шлифовальная машина для шлифования наждачной бумагой, для шлифовки металлическими щётками и в качестве устройства для резки шлифовальным кругом. Необходимо соблюдать все указания по технике безопасности, инструкции, использовать описания и данные, прилагаемые к электроинструменту. При несоблюдении всех указаний и инструкций, приведенных ниже, может возникнуть опасность поражения электрическим током, пожара и/или серьезных травм тела.
- b) Не следует применять оснащения, которое не спроектировано, не предусмотрено и не рекомендовано производителем специально для этого электроинструмента. Тот факт, что оснащение можно установить на электроинструменте, не гарантирует безопасной эксплуатации и обслуживания.
- в) Номинальная частота вращения, соответствующая применяемому рабочему инструменту, должна быть не меньше максимальной частоты вращения электроинструмента. Допускаемая частота вращения применяемого рабочего инструмента не может быть меньше указанной на электроинструменте максимальной частоты вращения. Рабочий инструмент, вращающийся с частотой большей от допустимой частоты вращения, может разорваться.
- г) Внешний диаметр и толщина рабочего инструмента должны находиться в допустимых для этого электроинструмента пределах. Рабочий инструмент несоответствующих размеров не может быть достаточным образом закрыт защитными элементами или контролироваться пользователем.
- д) Диаметр отверстия абразивных кругов, шлифовальных кругов, фланцев, опорных тарелок и другого оснащения должны точно соответствовать шпинделю электроинструмента. Рабочие инструменты, посадочные отверстия которых не соответствуют точно шпинделю электроинструмента, вращаются неравномерно, очень сильно вибрируют и могут привести к потере контроля над электроинструментом.
- e) Категорически запрещено использовать повреждённые рабочие инструменты. Перед каждым применением необходимо проверить оснащение, напр. абразивные круги на отсутствие сколов и трещин, шлифовальные круги на отсутствие трещин, стёртых мест или сильного износа, металлические щётки на отсутствие свободных или сломанных металлических щетинок (металлического ворса). Если электроинструмент или рабочий инструмент упадёт, следует проверить, не повредился ли он или применить другой, исправный инструмент. После проверки и закрепления рабочего инструмента, следует стоять в плоскости иной, чем плоскость вращения инструмента, убедиться, что в плоскости вращения инструмента не находятся посторонние лица. Электроинструмент необходимо включить на одну минуту на самую высокую частоту вращения, обращая внимание, чтобы обслуживающее лицо и пребывающие недалеко посторонние лица находились вне зоны вращающегося инструмента. Повреждённые инструменты ломаются обычно во время этой пробной работы.
- ж) Необходимо применять средства индивидуальной защиты. В зависимости от вида работы, необходимо надевать защитную маску, покрывающую всё лицо, средство защиты глаз или защитные очки. В соответствующих случаях необходимо применять противопыльный респиратор, средство защиты слуха, халат, защищающий от малых частиц абразивного или обрабатываемого материала. Средства защиты глаз могут задерживать летящие обломки (осколки), образующиеся во время выполнения разных операций. Противопыльные респираторы и средства защиты дыхательных путей должны фильтровать частицы пыли, образующиеся во время работы. Длительное воздействие шума с высокой интенсивностью может привести к потере слуха.
- з) Следует следить, чтобы посторонние лица находились на безопасном расстоянии от места работы и зоны воздействия электроинструмента. Каждый, кто находится вблизи работающего электроинструмента, должен использовать средства индивидуальной защиты. Обломки и осколки обрабатываемого предмета или треснувший рабочий инструмент могут отскакивать и быть причиной травм также вне зоны непосредственного воздействия электроинструмента.
- и) При выполнении работ, при которых электроинструмент может попасть на скрытую электропроводку или на собственный кабель электропитания, электроинструмент следует держать за изолированную поверхность. В результате контакта с проводами, находящимися под напряжением, все металлические части электроинструмента окажутся также под электрическим напряжением и могут привести к поражению оператора.
- к) Необходимо, чтобы сетевой кабель электропитания находился вдали от вращающихся рабочих элементов. В случае потери контроля над электроинструментом, сетевой кабель может быть прорезан или втянут, а ладонь или вся рука может попасть в рабочую зону вращающегося рабочего инструмента.

- л) Ни в коем случае не откладывать электроинструмент прежде, чем рабочий инструмент полностью не остановится. Вращающийся инструмент может войти в контакт с поверхностью, на которую уложен, и в результате можно потерять контроль над электроинструментом.
- м) Запрещено запускать в работу электроинструмент, круг (тарелка) которого направлен в сторону оператора.
- н) Запрещено переносить электроинструмент, находящийся в движении (вращающийся). Случайный контакт одежды с вращающимся рабочим инструментом может привести к его втягиванию и притягиванию рабочего инструмента к телу оператора.
- о) Необходимо регулярно чистить вентиляционные щели электроинструмента. Вентилятор двигателя может привести к втягиванию пыли в корпус, чрезмерное накопление металлической пыли может привести к угрозе поражения электрическим током.
- п) Не эксплуатировать электроинструмент вблизи легковоспламеняющихся материалов. Искры могут привести к их воспламенению.
- р) Не использовать инструментов, требующих применения охлаждающих инструментов. Применение воды или других жидких средств может привести к поражению электрическим током.

ИНСТРУКЦИИ ПО ТЕХНИКЕ БЕЗОПАСНОСТИ ДЛЯ ВСЕХ ОПЕРАЦИЙ

Отброс и связанные с ним предупреждения:

Отброс это внезапная реакция инструмента на блокировку или заедание (зашемление) вращающегося инструмента (абразивный круг, шлифовальный круг, металлическая щётка). Зашемление или заедание приводит к внезапной остановке вращающегося инструмента, что в свою очередь ведёт к потере контроля над электроинструментом. Неконтролируемый электроинструмент при этом сделает рывок в направлении, противоположном направлению вращения рабочего инструмента.

Например, когда произойдёт заедание или защемление абразивного круга в обрабатываемом предмете, может произойти блокировка погружённой в материал кромки абразивного круга и в результате произойдёт его выпадение или отброс. Абразивный круг может быть отброшен в направлении оператора или от него, в зависимости от направления вращения абразивного круга в месте блокировки. Кроме того, может произойти поломка абразивного круга.

Отброс является результатом ненадлежащего или неправильного применения электроинструмента. Этого можно избежать, применяя указанные ниже соответствующие средства предосторожности.

- а) Необходимо прочно держать электроинструмент, а тело и руки должны находиться в положении, позволяющем смягчить отброс. Обязательно применять вспомогательную рукоятку, если она имеется в составе стандартного оснащения, чтобы иметь максимальный контроль над силами отброса или момента вращения во время запуска в работу. Оператор может справиться с рывками и явлением отброса при условии соблюдения соответствующих средств предосторожности.
- б) Ни в коем случае не держать рук вблизи вращающихся

рабочих инструментов. Рабочий инструмент в результате отброса может ранить руку.

- в) Тело оператора не может находиться в области, в которой может произойти отскакивание электроинструмента во время отброса. При отбросе электроинструмент перемещается в направлении, противоположном до вращения абразивного круга в месте блокировки.
- г) Необходимо особо осторожно обрабатывать углы, острые края и т. д. Необходимо предотвращать возможность подсакивания рабочего инструмента во время работы, его отскакивания или блокировки. Вращающийся рабочий инструмент более предрасположен к защемлению в случае обработки углов, острых краёв или при его отскакивании. Это может привести к потере контроля или отбросу.
- д) Запрещена установка кругов для резки древесины или зубчатых кругов. Рабочие инструменты этого типа часто приводят к отбросу или потере контроля над электроинструментом.

ДОПОЛНИТЕЛЬНЫЕ УКАЗАНИЯ ПО ТЕХНИКЕ БЕЗОПАСНОСТИ ВО ВРЕМЯ ШЛИФОВКИ И РЕЗКИ.



Правила техники безопасности во время шлифовки и резки абразивным кругом:

- а) Необходимо применять только абразивные круги, рекомендуемые для электроинструмента, а также специальные защитные кожухи, предназначенные для данного абразивного круга. Абразивные круги, для применения которых электроинструмент не был zaproektirovan, не могут быть достаточно защищены кожухом и представляют опасность.
- б) Защитный кожух должен быть хорошо прикреплён к электроинструменту, а его установка должно гарантировать максимальную степень безопасности так, чтобы круг был максимально защищён кожухом в направлении на оператора. Защитный кожух должен защищать обслуживающего машину от обломков (осколков) и случайного прикосновения к абразивному кругу.
- в) Абразивные круги можно применять только по назначению. Например, запрещено шлифовать боковой поверхностью абразивного отрезного круга. Абразивные режущие круги предназначены для устранения материала краем круга. Боковые силы, приложенные к этим кругам, могут вызвать вибрации и могут их сломать.
- г) Использовать только неповреждённые крепящие фланцы, соответствующего размера и формы для выбранного абразивного круга. Фланцы поддерживают абразивный круг, снижая тем самым возможность повреждения абразивного круга. Фланцы для режущих кругов могут отличаться от фланцев для шлифовальных кругов.
- д) Не применять изношенные абразивные круги для электроинструментов, большего размера. Круги для электроинструментов большего размера не подходят для более высокой частоты вращения, характерной для меньших электроинструментов и поэтому могут поломаться.



Дополнительные указания по технике безопасности для резки:

- а) Не нажимать на режущий круг или не применять слишком большого нажима. Не осуществлять чрезмерно глубокую резку. Перегрузка режущего круга увеличивает нагрузку на него и возрастает его склонность к скручиванию или выгибанию во время резки, тем самым увеличивает возможность отброса или повреждения, поломки диска.
- б) Не находится на одной линии с вращающимся режущим кругом. Отдаление режущего круга в направлении от себя может привести к тому, что возможный отброс может вытолкнуть абразивный круг и электроинструмент в направлении на оператора.
- в) В случае защемления (заедания) режущего круга или перерыва в работе, необходимо выключить электроинструмент и подождать, пока круг полностью не остановится. Ни в коем случае не пытаться извлечь движущийся ещё круг из места резки, поскольку это может привести к отбросу. Необходимо установить и устранить причину защемления (заедания) круга.
- г) Не запускать электроинструмент в работу, пока он находится в материале. Прежде, чем продолжать резку, следует дождаться, чтобы режущий круг набрал свою полную частоту вращения. В противоположном случае, абразивный круг может зацепиться, выскочить из обрабатываемого предмета или привести к отбросу.
- д) Плиты (листы) или большие предметы необходимо перед обработкой подпереть, чтобы свести к минимуму риск защемления круга и отброса. Большие предметы могут прогибаться под действием собственного веса. Опоры должны быть установлены с обеих сторон, как вблизи линии резки, так и вблизи краёв.
- е) Необходимо соблюдать особую предосторожность в случае выполнения глубинных резов (надрезов) в имеющихся (старых) стенах или при работе в невидимой (визуально неконтролируемой) области. Углубляющийся в материал режущий круг может попасть на газопроводные, водопроводные трубы, электрическую проводку или другие предметы, которые приведут к отбросу.



Дополнительные указания по технике безопасности при шлифовке:

- а) Не использовать слишком больших листов наждачной бумаги. Выбирая размер наждачной бумаги, следует руководствоваться указаниями производителя. Слишком большой лист наждачной бумаги, выступающий за пределы шлифовальной пластины (шлифлиста), а также может привести к блокировке или разрыванию бумаги или к отбросу.

ДОПОЛНИТЕЛЬНЫЕ УКАЗАНИЯ ПО ТЕХНИКЕ БЕЗОПАСНОСТИ ПРИ РАБОТЕ С ПРИМЕНЕНИЕМ МЕТАЛЛИЧЕСКИХ ЩЁТОК



Правила техники безопасности при очистке поверхности металлической щёткой:

- а) Следует помнить, что даже при нормальной эксплуатации происходит потеря кусков металличе-

ского ворса щётки. Не следует перегружать металлический ворс, слишком сильно нажимая на щётку. Поднимающиеся в воздухе кусочки металлического ворса щётки могут легко пробить тонкую одежду и/или кожу.

- б) Если рекомендуется применение защитного кожуха, необходимо предотвратить контакт щётки с защитным кожухом. Диаметр щёток может увеличить в результате излишней нагрузки и центробежной силы.



Шлифовальная машина, предупреждения, касающиеся техники безопасности
Индивидуальная безопасность:

- а) В случае перерыва в подаче питания, напр. при аварии сети электропитания или при извлечении штепсельной вилки из розетки, необходимо разблокировать выключатель/выключатель и установить его в положение «выключено». Таким образом, можно избежать непреднамеренного включения электроинструмента.
- б) При обработке камня, необходимо использовать устройство для отсоса пыли (пылесос). Пылесос должен быть приспособлен для отсоса каменной пыли. Применение таких устройств снижает опасность, связанную с пылью.
- в) Для резки камня необходимо применить направляющие салазки. Без боковой направляющей режущий круг может зацементироваться и произойдёт отброс.
- г) Электроинструмент необходимо прочно держать обеими руками и сохранять безопасное рабочее положение. Перемещение электроинструмента будет безопасным, если его выполнять обеими руками.
- д) Необходимо защитить обрабатываемый предмет. Закрепление обрабатываемого предмета в закрепляющем устройстве или тисках более безопасно, чем удерживание его рукой.
- е) Запрещено эксплуатировать электроинструменты с повреждённым кабелем электропитания. Не прикасаться к повреждённому кабелю электропитания. В случае повреждения кабеля электропитания в процессе работы, необходимо извлечь штепсельную вилку из розетки. Повреждённые провода увеличивают опасность поражения электрическим током.

КОНСТРУКЦИЯ И НАЗНАЧЕНИЕ ШЛИФОВАЛЬНОЙ МАШИНЫ:

Угловая шлифовальная машина является ручным электроинструментом, приводимым в движение однофазным коллекторным электродвигателем. Машина оснащена вспомогательной рукояткой с возможностью установкой её в двух разных гнёздах. Машина имеет второй класс электрической защиты (двойная изоляция).

Шлифовальная машина предназначена для шлифования и резки металлических элементов, обработки сварочных швов, а при использовании соответствующих инструментов (круги, щётки и т. п.) также для чистки от ржавчины и полировки металлической поверхности.

Инструмент не предназначен для обработки гипсовой или аналогичной, сильно пылящей поверхности. Мелкая пыль, попадая вовнутрь машины, приводит к блокировке вентиляционного

пространства, что ведёт к перегреву и сгоранию электродвигателя.

Данный электроинструмент предназначен для работ средней интенсивности. Он не пригоден для длительных работ в сложных условиях. **Запрещено применять электроинструмент для работ, требующих применения профессиональных инструментов.**

Каждое применение электроинструмента, несоответствующее указанному выше назначению, запрещено и ведёт к потере гарантии и отсутствию ответственности производителя за возникший в результате этого ущерб.

Какие-либо модификации электроинструмента, осуществлённые пользователем, освобождают производителя от ответственности за повреждения и ущерб, причинённый пользователю и окружающей среде.

Правильная эксплуатация электроинструмента относится также к техобслуживанию, хранению, транспортировке и ремонту.

Ремонт электроинструмента может выполняться только в определённых производителем сервисных пунктах. Устройства с питанием от сети должны ремонтироваться исключительно лицами, имеющими соответствующий допуск.

Даже применяя устройство по назначению, нельзя полностью исключить определённых факторов остаточного риска. С учётом конструкции электроинструмента могут иметь место следующие опасности:

- Прикосновение во время работы к рабочему инструменту в незащищённой области электроинструмента;
- Возможность ожога при смене рабочего инструмента. (В процессе работы рабочий инструмент сильно разогревается и чтобы избежать ожогов при его смене, необходимо применять защитные рукавицы);
- Отбрасывание обрабатываемого предмета или его частей;
- Трескание / поломка рабочего инструмента;
- Ухудшение слуха в результате неприменения необходимых средств защиты слуха;
- Вредное для здоровья выделение пыли при выполнении работ в закрытых помещениях.

СОСТАВ КОМПЛЕКТА:

- Шлифовальная машина - 1 шт.
- Защитный кожух круга - 1 шт.
- Вспомогательная рукоятка - 1 шт.
- Крепящий фланец - 1 шт.
- Зажимная гайка - 1 шт.
- Ключ для крепления шлифовальных кругов - 1 шт.
- Гарантийная карта - 1 шт.
- Инструкция по эксплуатации - 1 шт.

ОПИСАНИЕ РИСУНКОВ А, В, С, D, E, F (стр. 2-3):

1. Вспомогательная рукоятка
2. Защитный кожух круга
3. Зажимная гайка
4. Крепящий фланец
5. Стрелка, указывающая направление вращения
6. Кнопка блокады шпинделя
7. Выключатель
8. Кабель электропитания
9. Крепящий винт
10. Шпиндель

11. Круг

12. Ключ для крепления шлифовальных кругов

ТЕХНИЧЕСКИЕ ДАННЫЕ:

МОДЕЛЬ	VZS125P
Напряжение номинальное	230-240 В
Частота номинальная	50 Гц
Потребляемая мощность	750 Вт
Частота вращения	11000 об/мин
Макс. диаметр круга / отверстия	125 мм / 22 мм
Резьба шпинделя	M14
Класс оборудования	□/□
Длина кабеля электропитания	2 м
Вес	2,0 кг
Уровень звукового давления (LpA)	88,7 дБ(A), ±3дБ(A)
Уровень звуковой мощности (LwA)	99,7 дБ(A), ±3дБ(A)
Уровень вибрации согласно стандарту EN 60745 (погрешность измерения - 1,5 м/с ²)	11,786 м/с ²

Указанный уровень вибрации соответствует основным применениям электроинструмента. Если электроинструмент будет использован для других применений или с другими рабочими инструментами, а также, если не будет выполнен соответствующий технический уход, уровень вибрации может отличаться от указанного. Указанные выше причины могут привести к усилению воздействия вибраций в течение всего времени работы.

Необходимо применять дополнительные меры безопасности с целью защиты оператора от воздействия вибрации, а именно: технический уход за электроинструментом и рабочими инструментами, обеспечение соответствующей температуры рук, определение очерёдности рабочих операций.

Заявленное общее значение вибрации и заявленные значения эмиссии шума были измерены в соответствии со стандартным методом испытаний и могут быть использованы для сравнения одного инструмента с другим.

Заявленные общие значения вибрации и заявленные значения эмиссии шума можно использовать в предварительной оценке подверженности опасности.

Предупреждения:

Вибрация и эмиссия шума во время практического использования электроинструмента могут отличаться от заявленных значений в зависимости от способа, которым инструменты используются, в особенности от типа обрабатываемого предмета.

Следует определить средства безопасности с целью защиты оператора, которые основываются на расчёте уровня подверженности опасности в состоянии реального использования (учитывая все этапы операционного цикла, в ходе которых инструмент выключен и когда работает на холостом ходу, за исключением времени высвобождения).

ПРЕЖДЕ ЧЕМ ПРИСТУПИТЬ К РАБОТЕ:

1. Убедиться, что параметры источника питания соответствуют параметрам шлифовальной машины, указанным на щитке.
2. Убедиться, что выключатель (7) шлифовальной машины находится в положении «выключено».

3. При работе с удлинителем шнура питания необходимо убедиться, что параметры удлинителя, сечения проводов соответствуют параметрам шлифовальной машины. Рекомендуется применять максимально короткие удлинители шнура питания. Удлинитель должен быть полностью размотан.

■ Установка вспомогательной рукоятки

ВНИМАНИЕ: По соображениям безопасности, при всех работах с машиной необходимо обязательно использовать вспомогательную рукоятку (1).

В зависимости от требований работы вспомогательную рукоятку необходимо ввинтить до упора в одно из трёх гнезд в головке шлифовальной машины (смотри рис. В, стр. 2).

■ Установка защитного кожуха круга

ВНИМАНИЕ: Перед снятием и установкой защитного кожуха круга, необходимо убедиться, выключена ли машина и отсоединена ли она от сети питания.

Для работ с применением шлифовальных или абразивных кругов должен быть установлен защитный кожух круга (2). Положение защитного кожуха круга необходимо приспособить для соответствующего вида работы. Закрытая сторона кожуха обязательно должна находиться со стороны оператора. Чтобы установить защитный кожух круга, необходимо:

- Разместить шлифовальную машину так, чтобы шпиндель (10) был направлен вверх.
- Установить защитный кожух шлифовального круга (2), как показано на рис. С на стр. 2, и зафиксировать крепящим винтом (9), завинчивая его отвёрткой PH2.

■ Установка шлифовального инструмента (рис. D, E, F стр.3)

ВНИМАНИЕ: Перед снятием и установкой шлифовального инструмента, необходимо убедиться, выключена ли машина и отсоединена ли она от сети питания.

Перед установкой необходимо очистить шпиндель шлифовальной машины и все элементы крепления.

Необходимо проверить соответствие допустимых размеров и скорости вращения / окружной скорости шлифовальных инструментов, указанных на контрольных этикетках шлифовального инструмента и шлифовальной машины. Шлифовальный круг должен быть без зазора (люфта) посажен на крепящем фланце. Не применять переходных подкладок или адаптеров.

Чтобы установить шлифовальный круг, необходимо:

1. Разместить шлифовальную машину шпинделем (10) вверх. Посадить крепящий фланец (4) нижней выступающей частью с пазом на стержень шпинделя так, чтобы фланец зафиксировался на шпинделе.
2. Надеть шлифовальный круг (11) выпуклой частью вниз на верхнюю выступающую часть крепящего фланца.
3. Навинтить зажимную гайку (3) на шпиндель так, чтобы круг был тщательно закреплён. (Зажимная гайка имеет вогнутую и выпуклую сторону. В зависимости от номинальной толщины используемого круга может навинчиваться одной или другой стороной (смотри рис. Е стр. 3)).
4. Нажать кнопку блокировки шпинделя (6) и завинтить при помощи ключа для крепления шлифовальных кругов (12) с небольшой силой зажимной винт, так как во время последующей работы эта гайка затянется самопроизвольно. Такая процедура позволяет избежать повреждения корпуса редуктора при снятии

шлифовального круга.

ВНИМАНИЕ: Кнопку блокировки шпинделя (6) нажимать только при неподвижном шпинделе!

Ни в коем случае не применять шлифовальных кругов, имеющих несоответствующую частоту вращения!

■ Пробный запуск в работу

После установки шлифовального инструмента и перед включением машины следует проверить правильность установки инструмента и может ли он свободно вращаться.

Пробное включение шлифовальной машины необходимо выполнять вдали от людей.

Время пробного включения	Во время первого запуска в работу	1 минута или больше
	После смены шлифовального круга	3 минуты или больше

РАБОТА:

■ Включение/выключение

Шлифовальная машина запускается в работу включателем (7) путём передвижения его вперёд в позицию блокировки.

Шлифовальная машина выключается нажатием задней части кнопки включателя (пружина включателя автоматически переместит включатель в положение «выключено»).

ВНИМАНИЕ: Запрещено оставлять шлифовальную машину при заблокированном включателе. Необходимо извлечь штепсельную вилку кабеля электропитания из розетки, если инструмент не используется.

■ Указания по работе машины

- Обрабатываемый предмет необходимо закрепить, если он не лежит безопасно и надёжно под действием собственного веса.
- Необходимо избегать чрезмерного нажима на шлифовальный круг. Шлифовку выполнять под действием собственного веса шлифовальной машины. Чрезмерный нажим на шлифовальный круг приводит к снижению частоты вращения, это является причиной возникновения шероховатой поверхности во время шлифовки. Кроме того приводит к перегреву и повреждению электродвигателя. Применять только лёгкий нажим во время резки.

■ Направление шлифовки

В случае применения нового шлифовального круга необходимо изначально перемещать шлифовальную машину назад (направление В) (смотри рис. G, стр. 3). При этом край нового круга закругляется и это позволит легко перемещать шлифовальную машину в произвольном направлении.

■ Угол шлифовки

Не использовать для шлифовки всю поверхность круга, а только его края.

Эффективная шлифовка достигается при сохранении между шлифовальной машиной и обрабатываемым материалом угла от 15° до 30°. (смотри рис. G, стр. 3).

■ Грубая шлифовка

Максимальный эффект работы при шлифовке достигается при перемещении шлифовального круга под углом от 30° до 40° относительно обрабатываемой поверхности (смотри рис. H, стр. 3).

Машину следует с умеренной силой прижимать к шлифованному элементу и плавно перемещать вдоль обрабатываемого материала. Благодаря соответствующей силе прижима обрабатываемый элемент не перегреется, не изменит окраску и не образуются в процессе шлифовки пазы или другие неровности на его поверхности.

ВНИМАНИЕ: Ни в коем случае не применять режущих кругов для обдирочной обработки / шлифовки.

■ Резка

Во время резки не прижимать машину слишком сильно, не перекашивать и не выполнять колебательных движений. Необходимо работать с равномерным перемещением, оптимально подобранным для данного материала.

Не тормозить вращающихся инструментов путём бокового нажима машины к другим предметам.

ВНИМАНИЕ: Важным является направление резки. Резка должна производиться в направлении, соответствующем направлению вращения шлифовального круга (смотри рис. 1, стр. 3). Не работать с машиной в другом направлении! В противоположном случае может наступить неконтролируемое вырывание машины из линии резки.

ХРАНЕНИЕ И ТЕХНИЧЕСКИЙ УХОД:

Машинка в принципе не требует специальных процедур по техническому уходу. Машинку следует хранить в месте, недоступном для детей, содержать в чистоте, защищать от влаги и пыли. Условия хранения должны исключать возможность механических повреждений и влияния вредных атмосферных условий.

Настоящее устройство соответствует польским и европейским стандартам, а также указаниям по технике безопасности. Все работы по ремонту должны выполняться квалифицированным персоналом, с использованием оригинальных запасных частей.

■ Очистка

Для обеспечения безопасной и эффективной работы, корпус шлифовальной машины и вентиляционные щели должны быть свободными от пыли и загрязнений. Рекомендуется выполнять чистку машины сразу же после каждого применения.

Шлифовальную машину протирать влажной тряпкой с небольшим количеством мыла. Не применять каких-либо чистящих средств или растворителей; они могут повредить части устройства, изготовленные из пластмассы. Необходимо следить, чтобы вовнутрь машины не попала вода.

После работы в условиях сильной запыленности рекомендуется выполнить продувку сжатым воздухом вентиляционных отверстий. Это предотвратит преждевременный износ подшипников и устранил пыль, блокирующую приток охлаждающего воздуха в электродвигатель.

ТИПИЧНЫЕ НЕИСПРАВНОСТИ И ИХ УСТРАНЕНИЕ:

Электроинструмент не включается или имеются перерывы в работе:

- проверить, правильно ли присоединён кабель электропитания (8), а также наличие напряжения в сетевой розетке;
- проверить состояние угольных щёток и, в случае необходимости, заменить их.

ВНИМАНИЕ! Замену угольных щёток может выполнить только



Политика компании PROFIX - это политика постоянного совершенствования своих изделий, поэтому компания сохраняет за собой право изменения спецификации изделия без предварительного уведомления. Изображения, имеющиеся в инструкции, являются примерными и могут незначительно отличаться от фактического вида приобретённого электроинструмента.

электрик с соответствующим допуском.

- если электроинструмент не работает в случае наличия напряжения питания и имеет неизношенные угольные щётки, необходимо отправить его по адресу, указанному в гарантийной карте, в ближайший сервисный пункт для ремонта.

ТРАНСПОРТИРОВКА:

Шлифовальную машинку следует транспортировать и складировать в упаковке для транспортировки, защищающей от влаги, проникновения пыли и мелких объектов, особенно необходимо защитить вентиляционные отверстия. Мелкие элементы, попавшие вовнутрь корпуса, могут повредить двигатель.

ПРОИЗВОДИТЕЛЬ:

000 «ПРОФИКС»; ул. Марыльска 34; 03-228 Варшава, ПОЛЬША

ЗАЩИТА ОКРУЖАЮЩЕЙ СРЕДЫ:



ВНИМАНИЕ: Указанный символ означает запрет размещения использованных электроинструментов вместе с другими отходами (за это грозит наказание в виде штрафа). Опасные компоненты, имеющиеся в электрическом и электронном оборудовании, отрицательно влияют на окружающую среду и здоровье.

Домашнее хозяйство должно способствовать восстановлению и повторному использованию (рециклированию) использованного оборудования. В Польше и в Европе создаётся или уже существует система сбора использованного оборудования, предусматривающая, что все пункты продажи в/у оборудования обязаны принимать использованное оборудование. Кроме того, имеются пункты приёма в/у оборудования.

ПИКТОГРАММЫ:

Описание знаков, имеющихся на щитке и информационных наклейках на электроинструменте:



«ПРЕДУПРЕЖДЕНИЕ! Перед подключением и началом работы необходимо прочитать инструкцию по эксплуатации»



— «Использовать средства защиты глаз»



— «Использовать средства защиты органов слуха»



— «Использовать средства защиты верхних дыхательных путей»



— «Использовать средства защиты рук»

RO

INSTRUCȚII DE FOLOSIRE
POLIZORUL UNGHIULAR VZS125P
 Traducere din instrucțiunea originală



ÎNAINTE DE UTILIZARE, CITIȚI ACESTE INSTRUCȚIUNI.

Păstrează instrucțiunile pentru o folosire viitoare.

ATENȚIE! Citește toate avertismentele referitoare la protecția muncii marcate cu simboluri ⚠ și toate indicațiile referitoare la utilizarea în siguranță.



Nerespectarea avertismentelor de mai jos, poate duce la accidente și la electrocutare, incendii și/sau la vătămări corporale.

Păstrează toate avertismentele și indicațiile referitoare la protecția muncii, pentru a le folosi în viitor.

În avertismentele de mai jos, termenul "unealtă electrică" înseamnă unealtă care este alimentată de la rețea (cu cablu de alimentare) sau unealtă electrică alimentată din baterie (fără cablu).



ATENȚIE! Reguli generale de protecție a muncii.

Siguranța la locul de muncă:

- La locul de muncă păstrează curățenie și bună iluminare. Zonele și bancurile de lucru aglomerate cheamă accidente.
- Nu utilizați unealta electrică în atmosferi explozive, formate din lichide inflamabile, gaze sau lichide. Unelata electrică produce scântei, care pot aprinde praful sau aburii.
- Țineți copiii departe de locurile în care unealta electrică este folosită. Distragerea atenției poate duce la pierderea atenției asupra unelei electrice.



ATENȚIE! Reguli generale cu privire la utilizarea în siguranță a unelei.

Siguranța electrică:

- Ștecherul unelei electrice trebuie să fie conforme cu priza. Este interzisă modificarea ștecherului. Este interzisă utilizarea prelungitoarelor în cazul uneltele electrice cu cablu de legare la pământ de protecție. Nemodificarea ștecherelor și a prizelor micșorează riscul de electrocutare.
- Evitați să atingeți suprafața de împământare sau conectările la masă, cum ar fi conducte, radiatoare, radiatoare de încălzire centrală și frigider. În cazul atingerii părților împământate, crește riscul de electrocutare.
- Nu expuneți sculele electrice în condiții de ploaie sau mediu umed. În caz de infiltrație cu apă, crește riscul de electrocutare.
- Nu abuzați de cablurile de conectare. Nu folosiți cablul de alimentare la mutarea, tragerea unelei sau tragerea ștecherului din priză. Păstrarea cablului de alimentare departe de surse de căldură, ulei, mυχii ascuțiți sau părți în mișcare. Cablurile deteriorate sau încurcate cresc riscul de electrocutare.
- În cazul în care unealta electrică este folosită în aer liber, conectarea trebuie efectuată cu ajutorul prelungitoarelor destinate funcționării în aer liber. Folosirea prelungitorului destinat funcționării în aer liber, micșorează riscul de electrocutare.
- Vă recomandăm să racordați aparatul la o rețea electrică dotată cu un comutator cu curent diferențial (RCD) cu amperaj de acționare de 30mA sau mai mic.
- În cazul în care unealta electrică este folosită în mediu umed, este inevitabilă, utilizarea unui dispozitiv de protecție împotriva tensiunii de alimentare, cum ar fi aplicarea unui dispozitiv de curent rezidual (RCD). Folosirea RCD micșorează riscul

de electrocutare.



ATENȚIE! Avertismente generale cu privire la siguranța folosirii unelei.

Siguranță personală:

- Acest echipament nu este destinat utilizării de către persoane (inclusiv copii) cu abilități fizice reduse, senzoriale sau mentale, sau de persoane care nu au experiență sau nu cunosc echipamentul, cu excepția cazului în care are loc sub supraveghere sau în conformitate cu instrucția de folosire a echipamentului, de către o persoană responsabilă pentru siguranța lor.
- Trebuie să fii atent, să aveți grijă ce faceți și să păstrați bun simț în timpul folosirii unelei electrice. Nu folosiți unealta electrică, când sunteți obosiți sau sub influența drogurilor, alcoolului sau a medicamentelor. Un moment de neatenție în timpul lucrului cu unelata electrică poate cauza vătămări personale grave.
- Folosiți echipament de protecție. Purtați întotdeauna ochelari de protecție. Folosind echipamentul de protecție cum ar fi masca de praf, pantofi cu anti-alunecare, căști sau protecție auditivă, micșorează riscul de vătămare.
- Evitați pornirea accidentală. Înainte de conectarea la sursa de alimentare și/sau înainte de conectarea bateriei și înainte de ridicarea sau mutarea unelei asigurativă că comutatorul unelei electrice este în poziția oprită. Mutarea unelei electrice cu degetul pe comutator sau conectarea unelei electrice la rețeaua de alimentare în poziția pornită poate provoca un accident.
- Înainte de pornirea unelei electrice îndepărtați toate uneltele din apropiere. Lăsarea de unelte pe părțile de mișcare ale unelei electrice poate duce la vătămări corporale.
- Nu vă apliceți prea mult. Trebuie să stați sigur și să mențineți echilibrul. Acest lucru va permite un control mai bun asupra unelei electrice în situații neașteptate.
- Îmbrăcați-vă corespunzător. Nu purtați haine largi sau bijuterii. Țineți părul strâns, hainele și mânușile departe de părțile în mișcare. Hainele largi, bijuteria sau praful lung se pot agăța de părțile în mișcare.
- Dacă echipamentul este potrivit pentru conectarea extractorului de praf extern și a colectorului de praf, asigurativă că acestea sunt conectate și folosite corect. Folosirea colectorului de praf poate reduce riscul de pericole legate de praf.
- Nu permiteți ca abilitățile obținute prin utilizarea frecventă a sculei electrice să vă facă să vă simțiți prea încrezători în sine și să ignorați regulile de siguranță. Acțiunile necorespunzătoare pot provoca vătămări grave într-o fracțiune de secundă.



ATENȚIE! Avertismente generale cu privire la folosirea în siguranță a unelei.

Utilizarea și îngrijirea unelei electrice:

- Nu supraîncărcați unealta electrică. Utilizați o unealtă electrică în funcție de puterea necesară muncii efectuate. Unelata electrică corectă va permite o funcționare mai bună și este sigură în cazul însărcinării, pentru care a fost proiectată.
- Este interzisă utilizarea unelei electrice dacă comutatorul nu pornește și nu oprește unealta. Fiecare unealtă electrică care nu pornește sau nu se oprește este periculoasă și trebuie reparată.

- c) **Deconectați ștecherul de la sursa de alimentare a unelei electrice și/sau deconectați bateria înainte de orice setare, schimbare de părți sau depozitare.** Aceste mijloace de protecție reduc riscul unei porniri accidentale a unelei electrice.
- d) **Unealta electrică nefolosită trebuie depozitată departe de copii și nu trebuie împrumutată persoanelor care nu cunosc unealta electrică sau care nu au citit această instrucție de folosire a unelei electrice.** *Unelata electrică este periculoasă când este folosită de o persoană fără experiență.*
- e) **Unelata electrică trebuie bine întreținută.** Trebuie controlată alinierea sau burierea pieselor în mișcare, ruperea pieselor și alți factori care pot avea influență la funcționarea unelei electrice. Dacă găsim o deteriorare, unelata electrică înainte folosirii trebuie reparată. *Cauza multor accidente este întreținerea necorespunzătoare a unelei electrice.*
- f) **Uneltele de tăiere trebuie să fie ascuțite și curate.** *Întreținerea părților ascuțite ale uneltelor de tăiere reduce riscul de blocare în material și ușurează folosirea.*
- g) **Unelata electrică, echipamentul, uneltele de lucru, etc. trebuie folosite în conformitate cu această instrucție, ținând cont de tipul și condițiile de lucru.** *Utilizarea unelei electrice în alt mod decât este destinația, poate duce la situații periculoase.*
- h) **La temperaturi scăzute, sau după o perioadă îndelungată de nefolosire, este recomandată pornirea unelei electrice fără sarcină pentru câteva minute pentru a distribui corect unsoarea în mecanismul de transmisie.**
- i) **Pentru curățirea unelei electrice folosiți o cârpă moale, umedă (nu udă) și săpun.** Nu folosiți benzină, diluanți sau alte mijloace care pot deteriora echipamentul.
- j) **Unelata electrică trebuie depozitată/transportată numai după ce ne-am asigurat că toate elementele în mișcare sunt blocate și asigurate cu ajutorul elementelor originale destinate blocării.**
- k) **Unelata electrică trebuie păstrată într-un loc uscat, asigurat împotriva prafului și a umezelii.**
- l) **Transportul unelei electrice trebuie să aibă loc în ambalajul original, asigurat împotriva deteriorărilor mecanice.**
- m) **Mănerile și suprafețele de prindere trebuie să fie menținute curate fără ulei și grăsime.** *Mănerile și suprafețele de prindere alunecoase nu permit ținerea în siguranță și controlul sculei în situații neașteptate.*



ATENȚIE! Avertismente generale cu privire la folosirea în siguranță a uneltei.

Repararea:

- a) **Reparații în garanție și postgaranție ale uneltelor dumneavoastră electrice sunt efectuate de Service-ul PROFIX, ceea ce garantează calitatea cea mai ridicată a reparațiilor și utilizarea de piese originale de schimb.**
- b) **Dacă cablul de alimentare este deteriorat, trebuie înlocuit cu unul nou la producător sau într-un unitate de reparații specială sau de către o persoană calificată, pentru a evita pericolele.**

ATENȚIE!



În timpul utilizării unelei electrice se recomandă respectarea regulilor de bază ale siguranței muncii, pentru a evita incendiile, electrocutarea sau vătămări mecanice.

POLIZORUL UNGHIULAR



Indicații de siguranță referitoare la șlefuire, șlefuirea cu șmirghel, utilizarea de perii de sârmă și tăierea abrazivă:

- a) **Această unelată electrică poate fi folosită ca un șlefuitor normal, șlefuitor cu șmirghel, cu șlefuire cu perii de sârmă și ca un echipament de tăiere abrazivă.** Trebuie respectate toate indicațiile de siguranță, instrucția, descrierea și datele, livrate împreună cu unelata electrică. *Nerespectarea acestor indicații și a instrucției enumerate mai jos, poate cauza pericol de electrocutare, incendiu și/sau vătămări corporale grave.*
- b) **Este interzisă utilizarea echipamentului, care nu a fost proiectat, destinat și recomandat de către producător special pentru această unelată electrică.** *Faptul că echipamentul poate fi montat pe unelata electrică, nu garantează siguranța utilizării și folosirii.*
- c) **Viteza de rotație nominală a unelei folosite trebuie să fie cel puțin egală cu viteza maximă de rotație a unelei electrice.** Viteza de rotație acceptată a unelei nu poate fi mai mică decât cea indicată pe unelata electrică ca viteza maximă de rotație. *Unelata, care se rotește mai repede decât viteza acceptată, se poate distruge.*
- d) **Diametrul exterior și grosimea unelei trebuie să se încadreze în domeniul acceptat pentru această unelată electrică.** *Unelata cu dimensiuni incorecte nu poate fi acoperită sau controlată integral.*
- e) **Diametrul orificiului șmirghelului, discului de șlefuit, flanșelor, scuturilor de fixare și a celorlalte echipamente, trebuie să se potrivească exact la axul șlefuitorului.** *Uneltele cu orificii care nu sunt potrivite exact la axul șlefuitorului, se rotesc inegal, vibrează puternic și pot duce la pierderea controlului asupra unelei electrice.*
- f) **Este interzisă utilizarea de unelte deteriorate.** Înainte de fiecare utilizare, controlați echipamentul, de ex. șmirghelul dacă nu este crăpat sau distrus, discurile de șlefuit dacă nu sunt crăpate, frecarea și uzura, periele de sârmă dacă nu sunt prea libere sau sârma este ruptă. Dacă unelata electrică sau unelata cade pe pământ, controlați dacă nu este deteriorată, iar dacă este deteriorată folosiți o unelată nouă. După controlul și fixarea unelei, așezați-vă într-o altă suprafață decât suprafața de rotație a unelei, și asigurați-vă că nu sunt alte persoane în suprafața de rotație a unelei. *Unelata electrică trebuie pornită timp de un minut la rotația maximă, având grijă, ca persoana care o folosește și persoanele din jur să se afle în afara zonei rotirii discului. Uneltele defecte se distruge cel mai des în această perioadă de probă.*
- g) **Folosiți mijloace de protecție personală.** În funcție de tipul muncii, utilizați masca de protecție care acoperă toată fața, protecția ochilor sau ochelari de protecție. În unele cazuri utilizați masca de praf, protecție auditivă, mănuși de protecție, șorțul, care protejează de micile părți ale

materialului prelucrat sau ale șmirghelului. *Mijloacele de protecție ale ochilor, trebuie să fie în stare să oprească resturile aruncate și generate în timpul executării diferitelor operații. Masca de praf și mijloacele de protecție a căilor respiratorii trebuie să filtreze praful generat în timpul lucrului. Expunerea prelungită la zgomot foarte puternic poate provoca pierderea auzului.*

- h) **Aveți grijă, ca persoanele din împrejur să se afle la o distanță sigură de locul de muncă și zona de acțiune a unelei electrice. Orice persoană care se află în apropierea unelei electrice, trebuie să poarte echipament de protecție.** *Fragmentele din piesa prelucrată sau crăparea unelei pot fi aruncate în aer și provoca vătămări și în afara zonei de acțiune.*
- i) **Țineți unelata electrică de suprafețele izolate în timpul lucrului, când unelata electrică poate atinge cabluri electrice ascunse sau propriul cablu de alimentare. În urma contactului cu cabluri aflate sub tensiune, toate părțile metalice ale unelei electrice se vor afla sub tensiune și pot duce la electrocutarea operatorului.**
- j) **Cablul de alimentare trebuie ținut la distanță de uneltele în rotire.** *În cazul pierderii controlului asupra unelei, cablul de alimentare poate fi tăiat sau înfășurat, iar palma sau toată mâna se poate afla în aria de acțiune a unelei în rotație.*
- k) **Este interzisă lăsarea din mână a unelei electrice până când unelata nu s-a oprit din rotație. Uneltele în mișcare pot intra în contact cu suprafața pe care este așezată, fapt care poate duce la pierderea controlului asupra unelei electrice.**
- l) **Este interzisă pomirea unelei electrice cu discul îndreptat înspre operator.**
- m) **Este interzisă transportarea unelei electrice, aflată în mișcare.** *Contactul accidental a hainelor cu unelata în mișcare poate duce la tragerea acestora și atragerea operatorului înspre unelată.*
- n) **Regulat curăță orificiile de ventilare ale uneltele electrice.** *Motorul ventilatorului poate atrage praful în carcasă, iar acumularile excesive de praf metalic poate provoca pericol de electrocutare.*
- o) **Este interzisă folosirea unelei electrice în apropierea materialelor inflamabile. Scânteile pot duce la aprinderea materialelor.**
- p) **Este interzisă utilizarea de unelte, care necesită răcirea cu lichide de răcire. Folosirea apei sau a altor lichide de răcire poate provoca electrocutarea.**

INSTRUCȚIUNI DE SIGURANȚĂ PENTRU TOATE OPERAȚIILE

Recul și avertismentele legate de acesta:

Recul este o reacție imediată a unelei electrice în momentul blocării unelei în rotație (șmirghelul, discul de șlefuit, peria de sârmă). Blocarea duce la oprirea unelei din rotație, fapt care duce la pierderea controlului asupra unelei electrice. Unelata electrică necontrolată va fi bruscată în direcția opusă rotației unelei.

De exemplu, când discul se blochează în elementul prelucrat, marginea discului adâncit în material se poate bloca și provoca căderea sau reculul. Discul poate sări în direcția operatorului sau în direcție opusă, în funcție de direcția de rotire a discului în locul blocării. În plus, discul se poate crăpa.

Recul este rezultatul folosirii incorecte sau greșite a unelei electrice. Puteți evita, respectând următoarele instrucții de siguranță de mai jos.

- a) **Țineți unelata electrică puternic, iar corpul și mâinile trebuie să se afle într-o poziție care atenuază reculul.** *Întotdeauna folosiți mânerul suplimentar dacă intrați în setul de echipament standard, pentru a avea un control mai mare asupra forțelor reculului sau momentului de rotire în timpul reculului. Operatorul poate controla tragerile și fenomenul de respingere prin luarea de măsuri adecvate de precauție.*
- b) **Este interzisă ținerea mâinilor în apropierea uneltelei în mișcare. Uneltele în urma reculului pot răni mâinile.**
- c) **Nu ocupați poziție în zona, în care unelata electrică poate sări în timpul reculului.** *În urma reculului, unelata electrică se deplasează în direcția opusă mișcării discului abraziv în locul blocării.*
- d) **Prelucrarea colțurilor, a marginilor ascuțite etc. trebuie executate cu deosebită atenție. Trebuie evitate momentele în care uneltele pot sări în timpul lucrului, pot fi lovite sau blocate. Uneltele în mișcare sunt predispușe la bruiaj în timpul prelucrării colțurilor, marginilor ascuțite sau când sunt lovite. Poate fi cauza pierderii controlului asupra unelei electrice sau a reculului.**
- e) **Este interzisă montarea de discuri pentru lemn sau discuri cu dinți. Uneltele de acest tip foarte des duc la recul sau pierderea controlului asupra unelei electrice.**

AVERTIZĂRI SUPPLEMENTARE DE SIGURANȚĂ ÎN TIMPUL ȘLEFUIRII ȘI TĂIERII.



Reguli de siguranță în timpul operațiilor de șlefuire și tăiere abrazivă:

- a) **Trebuie folosite doar discuri, care sunt recomandate pentru unelata electrică precum și scuturile speciale destinate discului.** *Discurile care, nu au fost proiectate pentru unelata electrică, nu pot fi acoperite îndeajuns și sunt foarte periculoase.*
- b) **Scutul trebuie să fie bine fixat de unelata electrică, iar așezarea trebuie să garanteze cel mai înalt nivel de siguranță, așa încât în direcția operatorului, discul să fie acoperit foarte bine. Scutul trebuie să protejeze persoana care utilizează unelata împotriva resturilor și contactului accidental cu discul.**
- c) **Discurile pot fi utilizate doar în conformitate cu destinația.** *De ex. este interzisă șlefuirea cu partea laterală a discului de tăiere. Discurile de tăiere abrazive sunt destinate îndepărtării materialului cu marginea discului. Forțele laterale care apar la aceste discuri pot duce la vibrații și se pot rupe.*
- d) **Utilizați întotdeauna flanșe de fixare cu dimensiuni și forme corect alese pentru discul ales. Flanșa susține discul, mișcând în același timp posibilitatea de distrugere a discului. Flanșa discului de tăiere pot fi diferite de flanșele discurilor de șlefuire.**
- e) **Este interzisă utilizarea de discuri uzate din unelte electrice mai mari. Discurile destinate uneltele electrice mai mari nu sunt adecvate pentru viteze mari, care este caracteristica uneltele electrice mai mici și de aceea se pot rupe.**



Avertisări suplimentare de siguranță în timpul tăierii:

- a) **Nu împingeți discul sau nu apăsați prea puternic.**

Nu executați tăieri adânci excesive. *Supraîncălzirea discului abraziv mărește sarcina și predispunerea la răsucire sau indoire în timpul tăierii și crește astfel posibilitatea de recul sau distrugere, ruperea discului.*

- b) **Nu stați în aceeași linie cu discul de tăiere în mișcare.** *Împingerea discului de tăiere în direcția opusă operatorului, poate duce în cazul apariției reculului la împingerea unelei electrice în direcția operatorului.*
- c) **În cazul blocării discului de tăiere sau a pauzei de muncă, unealta electrică trebuie oprită și așteptăm până când discul de tăiere se oprește în totalitate. Niciodată nu încercați să extrageți discul în mișcare din locul tăierii, deoarece poate duce la recul.** *Trebuie găsită și îndepărtată cauza blocării discului.*
- d) **Nu porniți unealta electrică, până când nu se află în material.** *Înainte de continuarea tăierii, discul de tăiere trebuie să atingă viteza sa maximă de rotație. În caz contrar, discul se poate agăța, sări din materialul prelucrat sau produce recul.*
- e) **Plăcile sau elementele mari, înainte de prelucrare trebuie sprijinite, pentru a minimaliza riscul de blocare a discului și a reculului.** *Elementele mari se pot îndoi sub greutatea proprie. Sprijinul trebuie să se afle din ambele părți, atât în apropierea liniei tăierii cât și pe margini.*
- f) **Aveți o grijă mărită în timpul executării de tăieri adânci în pereții existenți sau operarea în zone cu vizibilitate redusă.** *Discul în timpul scufundării în material, poate atinge țevi de gaze sau apă, cabluri electrice sau alte elemente care pot provoca reculul.*



Avertizări suplimentare de siguranță în timpul șlefuirii:

- a) **Nu folosiți foi prea mari de șmirghel. Atunci când alegeți șmirghelul, urmați recomandările producătorului.** *Șmirghelul mare, care se află în afara discului de șlefuire poate duce la vătămări, și deasemenea la blocarea sau ruperea șmirghelului sau la recul.*



Avertizări suplimentare de siguranță în cazul utilizării periiilor de sârmă.

Reguli de siguranță în timpul curățării suprafeței cu peria de sârmă:

- a) **Trebuie să țineți minte, că în utilizarea normală, unele părți ale periei de sârmă sunt distruse. Este interzisă apăsarea exagerată asupra periei.** *Bucățile de sârmă pot cu ușurință să intre prin îmbrăcămintea subțire și/sau piele.*
- b) **Dacă este recomandată utilizarea scutului, evitați contactul periei cu scutul.** *Diametrul periei se poate mări în momentul apăsării și apariției forțelor centrifuge.*



Șlefuitor, avertizări referitoare la siguranță

Reguli de siguranță în timpul curățării suprafeței cu peria de sârmă:

- a) **În cazul de întrerupere a alimentării, de ex. după o pană de curent sau când este scos ștecherul din priză, deblocați întrerupătorul pornit/oprit și puneți-l în poziția oprit. Astfel putem preveni pornirea nedorită a unelei electrice.**
- b) **La prelucrarea pietrii utilizați aspirarea prafului. Aspiratorul trebuie să fie destinat aspirării prafului de piatră. Utilizarea acestor echipamente micșorează pericolul prafului.**

- c) **La tăierea pietrei, utilizați ghidajul sanie.** *Fără ghidajul lateral discul de tăiere se poate bloca și duce la recul.*
- d) **Unealta electrică trebuie ținută în timpul utilizării puternic cu ambele mâini asigurând în același timp o poziție sigură de lucru.** *Unealta electrică este condusă sigur cu ambele mâini.*
- e) **Asigurați piesa prelucrată.** *Fixarea piesei prelucrate într-un echipament de fixare sau mențină este bună decât ținerea piesei în mână.*
- f) **Este interzisă utilizarea unelei electrice cu cablul de alimentare deteriorat. Este interzisă atingerea cablului deteriorat; în cazul deteriorării cablului în timpul utilizării, scoateți ștecherul din priză.** *Cablurile deteriorate cresc riscul electrocutării.*

CONSTRUCȚIA ȘI DESTINAREA POLIZORULUI:

Polizorul unghiular este un dispozitiv manual acționat cu motor monofazat, cu întrerupător. Echipat este cu mâner lateral cu posibilitatea montării în două locuri disponibile.

Dispozitivul de clasă a doua (izolare dublă).

Polizorul este destinat șlefuirii și tăierii elementelor de metal, prelucrării sudurilor, și cu ajutorul uneltelor adecvate (discuri, perii etc.), pentru curățarea ruginii și șlefuirea suprafețelor metalice.

Polizorul nu este destinat prelucrării suprafețelor de gips, sau asemănătoare, cu mult praf. Pulberea fină care pătrunde în interior poate duce la blocarea orificiilor de ventilare, ce poate duce la supraîncălzirea și arderea motorului.

Această unealtă electrică este destinată pentru lucrări cu intensitate medie. Nu este potrivită pentru lucrări îndelungate în condiții grele. **Nu folosiți aparatul pentru a efectua lucrări care necesită un aparat profesional.**

Fiecare utilizare a unelei electrice neconformă cu destinarea acesteia, așa cum a fost indicată mai sus, este interzisă și atrage după sine pierderea garanției precum și privarea de răspundere a producătorului pentru pagubele apărute în urma acestor

Toate modificările aparatului efectuate de utilizator îl exceptă pe producător de responsabilitate pentru pagubele provocate utilizatorului și mediului.

Utilizarea corespunzătoare a unelei electrice se referă de asemenea și la întreținerea, depozitarea, transportul și reparațiile aparatului.

Unealta electrică poate fi reparată doar în punctele de service menționate de producător. Aparele alimentare la rețea trebuie să fie reparate doar de persoane calificate în acest sens.

În ciuda utilizării în conformitate cu destinarea, nu pot fi eliminați în totalitate anumiți factori de risc. Datorită construcției și proiectării, putem întâlni următoarele pericole:

- Atingerea instrumentului de lucru în timpul funcționării în zona neacoperită a aparatului;
- Arsurile la schimbarea instrumentului de lucru. (În timpul funcționării, instrumentul de lucru se încălzește foarte tare, pentru a evita arsurile la schimbarea acestuia trebuie să folosiți doar mănuși de protecție);
- Reculul obiectului prelucrat sau al unei părți din obiectul prelucrat;
- Crăparea/ruperea instrumentului de lucru;
- Deteriorarea auzului în cazul în care nu s-a folosit echipamentul de protecție auditivă necesar;
- Emisiile de praf dăunătoare pentru sănătate în cazul efectuării de lucrări în încăperi închise.

ELEMENTE:

- Șlefuitor unghiular - 1 buc.
- Scutul discului - 1 buc.
- Mâner lateral - 1 buc.
- Flanșă de fixare - 1 buc.
- Piuliță de blocare - 1 buc.
- Cheie piuliță de blocare - 1 buc.
- Garanție - 1 buc.
- Instrucția de folosire - 1 buc.

DESCRIEREA FIGURILOR A, B, C, D, E, F (pagina 2-3):

1. Mâner lateral
2. Scutul discului
3. Piuliță de blocare
4. Flanșă de fixare
5. Săgeată de indicare a direcției rotații
6. Buton blocare a axului
7. Comutator
8. Cablu de alimentare
9. Șurub fixare
10. Ax
11. Disc
12. Cheie piuliță de blocare

SPECIFICAȚII:

MODEL	VZS125P
Tensiune nominală	230-240 V
Frecvență nominală	50 Hz
Putere nominală	750 W
Viteză de rotire	11000 /min
Max. diametru disc/ diametrul orificiului	125 mm / 22 mm
Filet ax	M14
Clasa dispozitivului	□/II
Lungimea cablului de alimentare	2 m
Greutatea	2,0 kg
Nivelul presiunii acustice (LpA)	88,7 dB(A), ±3dB(A)
Nivelul puterii acustice (LwA)	99,7 dB(A), ±3dB(A)
Nivelul de vibrații conf. EN 60745 (toleranță de măsurare - 1,5m/s ²)	11,786 m/s ²

Nivelul menționat de vibrații este reprezentativ pentru utilizarea aparatului electric. Dacă aparatul electric va fi utilizat pentru alte scopuri sau cu alte instrumente de lucru precum și dacă nu va fi înțreținut corespunzător, nivelul de vibrații ar putea diferi de cel indicat. Motivele indicate mai sus pot duce la sporierea nivelului de expunere la vibrații pe toată durata timpului de funcționare.

Trebuie să introduceți mijloace adiționale de siguranță, care au scopul de a proteja operatorul de efectele de expunere la vibrații, de ex.: Întreținere aparat electric și instrumente de lucru, asigurarea temperaturii corespunzătoare a mâinilor, stabilirea ordinii operațiilor de muncă.

Valoarea totală declarată a vibrațiilor și valorile declarate ale emisiilor de zgomot au fost măsurate în conformitate cu metoda standard de testare și pot fi utilizate pentru a compara un dispozitiv cu altul.

Valoarea totală declarată a vibrațiilor și valorile declarate ale emisiilor de

zgomot pot fi utilizate în evaluarea inițială a expunerii.

Avertismente:

Vibrațiile și emisiile de zgomot în timpul utilizării efective a sculei electrice pot să difere de valorile declarate în funcție de modul în care sunt utilizate uneltele, în special de tipul piesei prelucrate.

Trebuie determinate măsuri de siguranță pentru protejarea operatorului, care se bazează pe estimarea expunerii în starea reală de utilizare (luând în considerare toate părțile ciclului de operare, cum ar fi timpul în care instrumentul este oprit și când funcționează în ralanti, cu excepția timpului de declanșare).

PREGĂTIRE DE FUNCȚIONARE:

1. Asigurați-vă că sursa de alimentare are parametrii corespunzători parametrilor specificați pe tabelul nominal al polizorului.
2. Asigurați-vă că comutatorul (7) polizorului este în poziția oprit.
3. Dacă utilizați un prelungitor, asigurați-vă că parametrii prelungitorului, secțiunea cablului corespund parametrilor polizorului. Vă recomandăm să utilizați prelungitoare cât mai scurte posibil. Prelungitorul trebuie întins complet.

■ Montarea mânerului lateral

ATENȚIE: Din motive de securitate, în timpul utilizării folosiți întotdeauna mânerul lateral (1).

În funcție de cerințele funcționării, mânerul suplimentar trebuie înșurubat până la capăt într-unul din cele trei orificii ale capului polizorului (vezi: fig. B, pag. 2).

■ Montarea scutului discului

ATENȚIE: Înainte de demontarea și montarea scutului discului asigurați-vă că polizorul este oprit și deconectat de la rețeaua de alimentare.

Pentru a lucra cu discuri abrazive și ferăstraie trebuie montat scutul discului (2). Poziția scutului trebuie aleasă în funcție de tipul de muncă. Partea închisă a scutului trebuie să se afle întotdeauna înspre operator. Pentru a monta scutul discului, trebuie:

- Fixați polizorul, astfel încât axul (10) să fie îndreptat în sus.
- Așezați scutul discului (2) așa cum este indicat în figura C pe pag. 2 și să asigurați cu șurubul de fixare (9), și să-l înfiletați cu șurubelnița Ph 2.

■ Montarea uneltelor de șlefuire (vezi: fig. D, E, F pag. 3)

ATENȚIE: Înainte de demontarea și montarea uneltelor de șlefuire asigurați-vă că polizorul este oprit și deconectat de la rețeaua de alimentare.

Înainte de montare, trebuie curățate axul polizorului și toate elementele de fixare.

Vă rugăm să verificați conformitatea dimensiunilor acceptate și a vitezelor de rotire/diametre a uneltelor de șlefuire, listate pe etichetele de control ale uneltei de șlefuit și pe polizor. Discul polizorului trebuie să fie fixat fără loc liber pe flanșă de montare. Nu folosiți șaibe de reducere sau adaptoare.

Pentru a monta discul, trebuie:

1. Așezați polizorul cu axul (10) în sus. Fixați flanșă de fixare (4) partea inferioară cu proeminența în canelura axului, astfel încât flanșă să se antreneze pe ax.
2. Fixați discul (11) cu partea convexă în jos pe partea de sus a proeminenței flanșei de fixare.
3. Înșurubați piulița de fixare (3) pe ax, astfel încât discul să fie bine

fixat. (Piulița de fixare are o parte convexă și una concavă. În funcție de grosimea nominală a discului folosit, poate fi înșurubată ori într-o parte ori în alta (vezi: fig. E pag. 3)).

4. Apăsăți butonul de blocare al axului (6) și înșurubați cu cheia piuliței de blocare (12) cu o forță moderată, deoarece în timpul folosirii, piulița singură se strânge în continuare. Acest lucru este necesar pentru a evita distrugerea carcasei reductorului atunci când scoateți discul.

ATENȚIE: Butonul de blocare ax (6) trebuie apăsat doar în momentul în care axul este nemișcat!

Nu folosiți niciodată discuri cu viteză maximă de rotire inadecvată!

■ Pornirea de probă

După instalarea unelei de șlefuit și înainte de pornire, controlați dacă unealta a fost bine montată și dacă se rotește liber.

Pornirea de probă trebuie să aibă loc departe de oameni.

Timpul de pornire de probă	La prima pornire	1 minut sau mai mult
	După schimbarea discului	3 minute sau mai mult

FUNCȚIONAREA:

■ Pornire/ oprire

Polizorul este pornit cu întrerupătorul (7) mutat în față până în poziția blocată.

Polizorul se oprește prin apăsarea părții din spate a întrerupătorului (arcul întrerupătorului automat mută întrerupătorul în poziția oprită).

ATENȚIE: Nu lăsați niciodată polizorul pornit în funcționare continuă. Când nu folosim polizorul, trebuie scos ștecherul din priză de alimentare.

■ Indicații referitoare la folosire

- Fixați piesa prelucrată, dacă nu este așezată sigur și corect sub acțiunea greutății proprii.
- Evitați presiunea prea mare asupra polizorului. Șlefuirea are loc cu ajutorul greutății polizorului. Folosiți doar o apăsare ușoară în timpul tăierii. Apăsarea prea puternică asupra discului poate duce la micșorarea vitezei de rotare, și atunci apar suprafețe inegale în timpul șlefuirii. De asemenea poate fi cauza supraîncălzirii și deteriorării motorului.

■ Direcția de șlefuire

La folosirea unui nou disc de șlefuire, mai întâi trebuie polizorul condus din spate (direcția B) (vezi: fig. G, pag. 3), atunci marginile discului nou se rotunjesc, și permite mutarea polizorului cu ușurință în orice direcție.

■ Unghiul de șlefuire

Nu folosiți întreaga suprafață a discului la șlefuire, folosiți doar marginea.

O șlefuire eficientă este realizată prin menținerea polizorului sub un unghi între 15° și 30° de suprafața șlefuită (vezi: fig. G, pag. 3).

■ Degroșare

Nu întrebuiți niciodată discuri de tăiere pentru degroșare.

Cu un unghi de atac între 30° și 40° veți obține cele mai bune rezultate la degroșare. (vezi: fig. H, pag. 3).

Deplasați înainte și înapoi scula electrică apăsând-o moderat. În acest mod piesa de lucru nu se va încălzi prea tare, nu-și va modifica culoarea și nu va prezenta crestături.

ATENȚIE: Este interzisă folosirea de discuri de tăiere pentru

degroșare/șlefuire.

■ Tăierea

În timpul tăierii, nu apăsați prea tare, nu țineți strâmb, nu oscilați. Trebuie să lucrați uniform, optim potrivit pentru tipul de material prelucrat.

Nu frânați uneltele rotative prin apăsare laterală a polizorului de alte elemente.

ATENȚIE: Direcția de tăiere este foarte importantă. Tăierea trebuie să fie în concordanță cu direcția de rotire a discului (vezi: fig. I, pag. 3). Nu lucrați cu polizorul într-o direcție diferită! În caz contrar poate duce la smulgerea necontrolată a polizorului din linia de tăiere.

DEPOZITAREA ȘI ÎNTREȚINEREA:

Polizorul practic nu necesită o întreținere specială. Polizorul trebuie depozitat într-un loc uscat, nu la îndemâna copiilor, trebuie menținută curată, protejată de umezeală și praf. Condițiile de depozitare trebuie să elimine posibilitatea de deteriorare mecanică sau efectele nocive ale diferitelor condiții atmosferice.

Această unealtă respectă normele naționale și europene, precum și normele de siguranță. Toate reparațiile trebuie efectuate de către personal calificat, folosind doar părți de schimb originale.

■ Curățire

Pentru a asigura o funcționare sigură și cu randament, carcasa polizorului și orificiile de ventilare trebuie să fie ferite de pulberi și murdărie. Recomandăm curățirea unelei imediat după folosire.

Polizorul trebuie șters cu o cârpă curată și umedă, cu o mică cantitate de săpun. Nu folosiți mijloace de curățire sau diluanți; pot deteriora unele părți ale polizorului din material plastic. Aveți atenție ca apa să nu intre în interior.

După folosirea în atmosferi cu mult praf, recomandăm curățirea cu aer comprimat a orificiilor de ventilare, împiedică deteriorarea lagărelor și îndepărtează pulberea care blochează intrarea aerului de răcire în motor.

DEFECTIUNI TIPICE ȘI SOLUȚIONAREA ACESTORA:

Unealta electrică nu pornește sau încetează lucrul:

- verificați dacă cablul de alimentare (8) este montat corect și dacă priză este alimentată cu curent electric;
- verificați starea perilor de carbon și schimbați-le în cazul în care este necesar.

ATENȚIE! Înlocuirea perilor de carbon poate fi efectuată doar de un electrician autorizat.

- în cazul în care unealta electrică nu funcționează în continuare, cu toate că este alimentată cu curent și perile de carbon sunt în stare bună, trebuie să trimiteți aparatul la centrul de service la adresa indicată în fișa de garanție.

TRANSPORT:

Polizorul trebuie transportat și depozitat în cutia de transport, care protejează împotriva umezelii, infiltrării de praf și a obiectelor mici, mai ales trebuie asigurate orificiile de ventilare. Elementele mici, care infiltră în interiorul carcasei, pot distruge motorul.

PRODUCĂTOR:

PROFEX Sp. z o.o.,
str. Marywilska 34,
03-228 Varșovia, POLONIA

PROTECȚIA MEDIULUI ÎNCONJURĂTOR:



ATENȚIE: Simbolul prezentat înseamnă interdicția de a amplasa aparatul uzat împreună cu alte deșeuri (sub amenințarea unei amenzi). Componentele periculoase aflate în aparatura electrică și electronică influențează negativ mediul natural și sănătatea oamenilor.

Fiecare gospodărie casnică trebuie să contribuie la redobândirea și refolosirea (recykling) aparaturii uzate. Atât în Polonia, cât și în Europa se organizează sau deja există sistemul de culegere a aparaturii uzate, în cadrul căruia toate punctele de vânzare a respectivei aparaturi sunt obligate să preia aparatura uzată. În plus, există centrele de colectare a acestuia tip de aparatură.

PICTOGRAME:

Explicațiile imaginilor de pe tabelul nominal și de pe etichetele informative:



– «**ATENȚIONARE!** Înainte de cuplare și de a începe operarea trebuie să citiți prezenta instrucțiune»



– «**Folosiți întotdeauna ochelari de protecție**»



– «**Folosiți mijloace de protecție auditivă**»



– «**Folosiți întotdeauna măști de praf**»



– «**Folosiți mănuși de protecție**»




Politica firmei PROFIX este aceea de perfecționare continuă a produselor sale și de aceea firma își rezervă dreptul de modificare a specificației produsului fără înștiințarea anterioară. Imaginile indicate în instrucțiunile de utilizare sunt doar exemple și se pot diferi puțin de aspectul real al dispozitivului achiziționat.

Prezenta instrucțiune este protejată prin dreptul de autor. Copierea/inmulțirea fără acordul în scris al firmei PROFIX Sp. z.o.o. este interzisă.



PIRMS DARBA SĀKUMA NEPIECIEŠAMS IEPAZĪTIES AR ŠO INSTRUKCIJU.

Saglabā instrukciju vārbutēvai turpmākai lietošanai. **BRĪDINĀJUMS!** Nepieciešams izlasīt visus brīdinājumus apzīmētus ar simboliem , kuri attiecas uz lietošanas drošību un visus lietošanas drošības norādījumus.



Neievērojot zemāk uzrādītos drošības brīdinājumus un norādījumus attiecībā uz drošību var būt par elektriskās strāvas triecienu, ugunsgrēku un/vai nopietnu traumu iemeslu.

Ievērot visus brīdinājumus un norādījumus attiecībā uz drošību, lai tos turpmāk varētu izmantot.

Zemāk uzrādītos brīdinājumus „elektroinstruments” nozīmē elektroinstrumentu, kurš tiek barots no elektriskā tīkla (ar barošanas vadu) vai elektroinstruments barots no akumulatora (bezvadu).



BRĪDINĀJUMS! Vispārējie instrumenta drošas lietošanu norādījumi.

Darba vietas drošība:

- Darba vietā nepieciešams uzturēt kārtību un labu apgaismojumu. Nekārtība un silks pagaismojums ir negadījumu iemesls.
- Nedrīkst lietot elektroinstrumentu sprāgstošā, viegli uzliesmojošā, gāzu putekļainā vidē. Elektroinstrumenta darbības laikā rodas dzirksteles, no kurām var aizdegties putekļi un tvaiki.
- Vietā, kur tiek lietoti elektroinstrumenti nevar atrasties bērni un novērotāji. Novērsot uzmanību var zaudēt kontroli par elektroinstrumentu.



BRĪDINĀJUMS! Vispārējie instrumenta drošas lietošanu norādījumi.

Elektriskā drošība:

- Elektroinstrumenta kontaktdakšīnām jābūt pielāgotām pie kontaktlīdždzām. Nekad nekādā gadījumā nedrīkst mainīt kontaktdakšīņu. Nedrīkst lietot nekādas pagarinātājus gadījumā, ja elektroinstruments ir apgādāts ar vadu ar aizsardzības iezemējuma dzislu. Ja netiek darītas kontaktdakšīņu un kontaktlīdžu izmaiņas, tas samazina elektriskā triecienu risku.
- Nepieciešams izvairīties no iezemētām virsmām vai savienotām ar masu, kā piemēram caurules, sildītāji, centrālāpkaures radiatoru un dziesinātāji. Gadījumā, ja netiek kontakts ar iezemētām vai ar masu savienotām daļām pieaug elektriskās strāvas triecienu risks.
- Nedrīkst pakļaut elektroinstrumentus uz lietus vai mitruma iedarbību. Gadījumā, ja elektroinstrumentā iekļūst ūdens pieaug elektriskās strāvas triecienu risks.
- Nedrīkst pārslogot savienojuma vadus. Nekad nedrīkst lietot savienojuma vadu elektroinstrumenta pārnēsāšanai, vilkšanai vai izvilkt kontaktdakšīņu no kontaktlīdždzas aiz vada. Nepieciešams turēt savienojuma vadu tālu no siltuma avotiem, eļļainām, asām šķautnēm vai kustīgām daļām. Būjāti vai sapīti savienojuma vadi palielina elektriskās strāvas triecienu risku.
- Gadījumā, ja elektroinstruments tiek lietots ārpusē, savienojuma vadus nepieciešams pagarināt ar pagarinātājiem, kuri ir piemēroti darbam ārpusē. Lietojot pagarinātājus piemērotus darbam ārpusē samazinās elektriskās strāvas triecienu risks.
- Ieteicams ierīci pievienot pie elektriskā tīkla, kurš ir aprīkots ar

RCD slēdzi ar 30mA vai mazāku izslēgšanas strāvu.

- Gadījumā, ja ir nepieciešamība lietot elektroinstrumentu mitrā vidē, par sprieguma aizsardzību nepieciešams lietot strāvas starpības ierīci (RCD). Lietojot RCD samazinās elektriskās strāvas triecienu risks.



BRĪDINĀJUMS! Vispārējie instrumenta drošas lietošanu norādījumi.

Individuālā drošība:

- Šī ierīce nav pamērota lietot cilvēkiem (tai skaitā bērniem) ar ierobežotām fiziskām, jūtības un psihiskām spējām, vai cilvēkiem bez ierīces darbības pieredzes vai zināšanām, izņemot, ja tas notiek uzraudzībā vai saskaņā ar ierīces lietošanas instrukciju, ar kuru ir iepazinūšās par drošību atbildīgas personas.
- Elektroinstrumenta lietošanas laikā nepieciešams būt tālredzīgiem, novērot kas notiek un saglabāt skaidru saprātu. Nedrīkst lietot elektroinstrumentu noguruma laikā vai narkotisku vielu, alkohola vai zāļu iedarbībā. Neuzmanības mirklis strādājot ar elektroinstrumentu var radīt nopietnas ķermeņa traumas.
- Nepieciešams lietot individuālos aizsardzības līdzekļus. Vienmēr nepieciešams lietot aizsargbrilles. Lietojot attiecīgos apstākļos aizsardzības līdzekļus, tādas kā putekļu maskas, neslidošus apavus, ķiveres vai dzirdes aizsardzības līdzekļus, samazināsies individuālās traumas.
- Nepieciešams izvairīties no neparedzētām kustībām. Pirms pieslēgšanas pie barošanas avota un/vai pirms akumulatora pieslēgšanas kā arī pirms tam, kad paceļam vai pārceļam ierīci nepieciešams pārliecināties, ka elektroinstrumenta slēdzis atrodas izslēgšanas stāvoklī. Pārnēsāt elektroinstrumentu ar pirkstu uz slēdža vai barošanas tīklā pieslēgtu elektroinstrumentu pie ieslēgta slēdža var būt par negadījuma iemeslu.
- Pirms elektroinstrumenta palaišanas nepieciešams novākt visas atslēgas. Atslēga atstāta rotējošā elektroinstrumenta tuvumā var radīt individuālas traumas.
- Nedrīkst pārlieku tālu izliecties. Visu laiku nepieciešams stāvēt stabili un saglabāt līdzsvaru. Tas dos iespēju neparedzētās situācijās labāk kontrolēt elektroinstrumentu.
- Nepieciešams attiecīgi ģērbties. Nedrīkst nēsāt vaļīgas apģērbus vai rotas lietas. Nepieciešams turēt savus matu, apģērbu un cimdus tālu no kustīgām daļām. Vaļīgs apģērbs, rotas lietas vai gari mati var tikt aizķerti ar kustīgām daļām.
- Ja ierīce ir pielāgota ārējai putekļu sūkšanai un putekļu uzsūkšanai, nepieciešams pārliecināties, ka tie ir pieslēgti un pareizi lietoti. Lietojot putekļu sūcēju var samazināt putekļu ieelpošanas bīstamību.
- Nedrīkst pieļaut, lai iemaņas iegūtas bieži lietojot elektroinstrumentu samazinātu mūsu modrību un drošības noteikumu ignorēšanu. Bezrūpīga rīcība var izraisīt nopietnus ievainojumus sekundes laikā.



BRĪDINĀJUMS! Vispārējie instrumenta drošas lietošanu norādījumi.

Lietošana un gādība par elektroinstrumentu:

- Nedrīkst pārslogot elektroinstrumentu. Nepieciešams piemērot elektroinstrumentu veiktajam darbam. Pareizs

elektroinstruments nodrošinās labāku un drošāku darbu pie slodzes, kādam tas tika projektēts.

- b) **Nedrīkst lietot elektroinstrumentu, ja slēdzis to neieslēdz un neizslēdz.** *Katrs elektroinstruments, kuru nevar ieslēgt vai izslēgt ar slēdzi ir bīstams un to nepieciešams labot.*
- c) **Nepieciešams atvienot elektroinstrumenta kontaktdakšīņu no barošanas avota un/vai atslēgt akumulatoru pirms tiek veikta jebkāda uzstādīšana, detaļu maiņa vai instrumenta glabāšana.** *Tādas drošības darbības reducē neparedzētu elektroinstrumenta palaišanu.*
- d) **Nelietotu elektroinstrumentu nepieciešams glabāt bērniem nepieejamās vietās un nedrīkst atļaut personām, kuras nav iepazinušas ar elektroinstrumentu vai šo lietošanas instrukciju lietot elektroinstrumentu.** *Elektroinstrumenti ir bīstami neapmācītu lietotāju rokās.*
- e) **Elektroinstrumentu nepieciešams konservēt.** *Nepieciešams pārbaudīt asu sakritību vai kustīgo daļu iekļīšanās, detaļu plīsumus un visus apstākļus, kuri varētu ietekmēt elektroinstrumenta darbu. Ja tiek konstatēts bojājums, elektroinstrumentu pirms lietošanas nepieciešams salabot. Daudzu negadījumu iemesls ir nepareiza elektroinstrumenta konservācija.*
- f) **Griezējinstrumentiem jābūt asiem un tīriem.** *Attiecīgi uzturēti asi griezējinstrumenta asmeņi samazina iekļīšanās iespējas un atvieglo apkalpošanu.*
- g) **Elektroinstrumentu, aprīkojumu, darba instrumentus un tml. nepieciešams lietot saskaņā ar šo instrukciju, ņemot vērā darba apstākļus un veicamo darbu.** *Lietot elektroinstrumentu tam neparedzētā veidā var novest pie bīstamām situācijām.*
- h) **Zemās temperatūrās vai pēc ilgāka nelietošanas laika, ieteicams uz pāris minūtēm ieslēgt elektroinstrumentu bez slodzes, lai piedziņas mehānismā sāktu pareizi darboties smēreļļa.**
- i) **Elektroinstrumentu tīrīšanai lietot mikstu, mitru (ne slapju) drānu un ziepes. Nelietot benzīnu, šķīdinātājus un citus līdzekļus, kuri varētu sabojāt ierīci.**
- j) **Elektroinstrumentu nepieciešams glabāt / transportēt iepriekš pārliecinoties, ka visas kustīgās daļas ir nobloķētas un nodrošinātas pret atbloķēšanos ar oriģināliem šim nolūkam paredzētiem elementiem.**
- k) **Elektroinstrumentu nepieciešams glabāt sausā, no putekļiem un mitruma sargātā vietā.**
- l) **Elektroinstrumenta transportēšanu jāveic oriģinālā iepakojumā, kurš pasargā no mehāniskiem bojājumiem.**
- m) **Rokturus un satveršanas virsmas nepieciešams uzturēt tīras, bez eļļas un smēres.** *Neparedzētās situācijās slideni rokturi un satveršanas virsmas nedod iespēju droši turēt un kontrolēt instrumentu.*



BRĪDINĀJUMS! Vispārējie instrumenta drošas lietošanu norādījumi.

Remonts:

- a) Savu elektroinstrumentu garantijas un pēcgarantijas remontus veic PROFIX serviss, kas garantē visaugstāko

remontu kvalitāti kā arī tiek izmantotas oriģinālas rezerves daļas.

- b) **Ja barošanas vads tiek bojāts, to nepieciešams apmainīt pie ražotāja vai specializētā remonta darbnīcā, vai arī to jāveic kvalificētai personai, lai novērstu bīstamību.**



BRĪDINĀJUMS!

Darba laikā ar elektrisko instrumentu ieteicams vienmēr ievērot galvenos drošības principus, lai izvairītos no ugunsgrēka, elektriskās strāvas trieciena vai mehāniskām traumām.

LEŅĶA SLĪPMAŠĪNA



Drošības norādījumi attiecībā uz slīpēšanu, slīpēšanu ar smilšpapīru, darbu ar drāšu birsti un griešanu ar slīpripu:

- a) **Šo elektroinstrumentu var lietot kā parasto slīpmašīnu, slīpmašīnu slīpēšanai ar smilšpapīru, slīpēšanai ar drāšu birsti kā arī ierīci griešanai ar slīpripu.** *Nepieciešams ievērot visus drošības norādījumus, instrukcijas, aprakstus un datus pievienotus komplektā ar elektroinstrumentu. Neievērojot visus zemāk uzrādītos norādījumus un instrukcijas var radīt elektriskās strāvas trieciena, ugunsgrēka un/vai nopietnu ķermeņa traumu rašanās bīstamību.*
- b) **Nedrīkst lietot aprīkojumu, kurš nav paredzēts projektējot un kuru ražotājs nav paredzējis tieši šim elektroinstrumentam.** *Fakts, ka aprīkojumu var uzstādīt uz elektroinstrumentu, negarantē drošu lietošanu un apkalpošanu.*
- c) **Lietotā instrumenta pieļaujamam griešanās ātrumam jābūt vismaz vienādam ar maksimālo elektroinstrumenta griešanās ātrumu.** *Lietotā darba instrumenta pieļaujamais griešanās ātrums nevar būt mazāk par maksimālo griešanās ātrumu uzrādītu uz elektroinstrumenta.* *Darba instruments, kurš rotē ar lielāku ātrumu par pieļaujamo, var plīst.*
- d) **Darba instrumenta ārējā diametram un biežumam jābūt elektroinstrumenta pieļaujamā diapazonā.** *Darba instrumenti ar neattiecīgiem izmēriem nevar būt pietiekami apsegti un kontrolēti.*
- e) **Slīpdisku, slīpripu, stiprināšanas disku, pārsegu kā arī citu aprīkojumu caurumu diametram precīzi jāsadē ar elektroinstrumenta vārpstu.** *Darba instruments, kura caurumi precīzi neder elektroinstrumenta vārpstas diametram griežas nevienmērīgi, ļoti stipri vibrē un var tikt zaudēta kontrole par elektroinstrumentu.*
- f) **Nekādā gadījumā nedrīkst lietot bojātus darba instrumentus.** *Pirms katras lietošanas nepieciešams kontrolēt aprīkojumu, piem. slīpdiskus vai nav iziruši un plīsuši, slīpriņas vai nav plīsušas, nodilušas vai stipri nolietotas, drāts birstes vai nav vaiļģas vai ar salauztām drātīm.* *Ja elektroinstruments vai darba instruments nokrīt, nepieciešams pārbaudīt vai nav sabojāts, vai izmantot citunesabojātu instrumentu.* *Pēc darba instrumenta pārbaudes un stiprināšanas, nostāties citā plaknē nekā instrumenta griešanās plaknē, pārliecināties, ka instrumenta griešanās plaknē neatrodas nepiederošas personas.* *Elektroinstrumentu nepieciešams ieslēgt minūti*

uz maksimāliem apgrīzieniem, pie tam pievērst uzmanību, lai persona, kura apkalpo un nepiederošās personas, kuras atrodas tuvumā, atrastos ārpus rotējošā instrumenta zonas. *Bojātie instrumenti visbiežāk lūzt šajā izmēģinājuma laikā.*

- g) **Nepieciešams lietot individuālos aizsardzības līdzekļus.** Atkarībā no darba veida, nepieciešams nesāt aizsargmasku, kura sedz visu seju, redzes aizsardzības līdzekļus vai aizsargbrilles. Attiecīgos apstākļos nepieciešams lietot putekļu masku, dzirdes aizsardzības līdzekļus, cimdus, priekšautu, kurš sargā no mazām slīpēšanas materiāla vai apstrādājamā materiāla daļiņām. *Redzes aizsardzības līdzekļi jābūt spējīgiem aizturēt lidojošās lauskas, kuras rodas veicot dažādas operācijas. Putekļu maskām un elpošanas orgānu aizsarglīdzekļiem jāfiltrē darba laikā radušās putekļu daļiņas. No ilglaicīga augstas intensitātes trokšņa var zaudēt dzirdi.*
- h) **Nepieciešams uzmanīties, lai nepiederošās personas atrastos drošā attālumā no darba vietas un elektroinstrumenta iedarbības zonas.** Katram, kas atrodas strādājošā elektroinstrumenta tuvumā, jālieto individuālie aizsardzības līdzekļi. *Apstrādājamā priekšmeta lauskas vai plīsis darba instrumenta var atdalīties un radīt traumas arī ārpus tiešās iedarbības zonas.*
- i) **Darba laikā, kad tiek veikti darbi, kur elektroinstruments varētu trāpīt uz noslēptiem elektriskiem vadiem vai pašu vada, turēt elektroinstrumentu pie izolētas virsmas.** Kontakta rezultātā ar zem sprieguma esošiem vadiem, visas elektroinstrumenta metāla daļas arī atradīsies zem sprieguma un tas operatoram var radīt strāvas triecienu.
- j) **Tikla vadu nepieciešams turēt tālu no rotējošiem darba instrumentiem.** *Gadījumā, ja tiek zaudēta kontrole par instrumentu, tikla vads var tikt pārgriezts vai ievilkts, bet delna vai visa roka var nokļūt rotējošā darba instrumentā.*
- k) **Nekad nedrīkst nolikt elektroinstrumentu līdz pilnīgi nav apstājies darba instruments.** *Rotējošs instruments var nonākt kontaktā ar virsmu, uz kuras tiks novietots, rezultātā var tikt zaudēta kontrole par elektroinstrumentu.*
- l) **Nedrīkst ieslēgt elektroinstrumentu ar disku vērstu operatora virzienā.**
- m) **Nedrīkst pārnēsāt ieslēgtu elektroinstrumentu.** *Negaidīts rotējošu darba instrumentu kontakts ar apģērbu var radīt tā ievilkšanu un darba instrumenta pievilksanu pie operatora ķermeņa.*
- n) **Nepieciešams regulāri tīrīt elektroinstrumenta ventilācijas atveres.** *Dzinēja ventilators var ievilk putekļu korpusā, pārmērīga metāla putekļu uzkrāšanās var radīt elektrisko bīstamību.*
- o) **Nelietot elektroinstrumentu viegli uzliesmojošu materiālu tuvumā.** *Dzirksteles var radīt to aizdegšanos.*
- p) **Nelietot instrumentus, kuriem nepieciešama šķidrā dzesēšana.** *Lietojot ūdeni vai citus dzesējošos šķidrumus var notikt elektriskās strāvas trieciens.*

VISU OPERĀCIJU DROŠĪBAS INSTRUKCIJA

Bridinājums attiecībā uz atmešanu:

Atmešana ir neparedzēta elektroinstrumenta reakcija uz blokādi vai rotējošā instrumenta iekļēšanās (slīpriņa, slīpdisks, drašu birste).

Blokāde vai iekļēšanās rada negaidītu rotējošā instrumenta apstāšanos, kā rezultātā tiek zaudēta kontrole par elektroinstrumentu. Tāpēc nekontrolēts elektroinstruments tiek parauts pretēji darba instrumenta kustības virzienam. Piemēram, ja slīpdisks bloķējas vai iekļējas apstrādājamā materiālā, materiāla iegremdēta slīpdiska mala var iebloķēties un radīt tā izkrišanu vai atmešanu. Slīpdisks var atlekt virzienā uz vai no operatora atkarībā no diska apgrīzeņu virziena bloķēšanas vietā. Bez tam slīpdiski var arī saplīst.

Atmešana ir nepareizas vai kļūdainas elektroinstrumenta lietošanas rezultāts. To var novērst ievērojot zemāk uzrādītos attiecīgos drošības norādījumus.

- a) **Elektroinstrumentu nepieciešams turēt stipri, bet ķermeni un rokas novietot stāvoklī, kurš dod iespēju amortizēt atmešanu.** **Vienmēr nepieciešams lietot palīgpatronu, ja tā ir standarta aprīkojuma komplektā, lai būtu pēc iespējas lielāka atmešanas spēka vai griezes momenta kontrole ieslēgšanas laikā.** *Operators var novaldīt rāvienu un atmešanas efektu ievērojot attiecīgu uzmanību.*
- b) **Nekad nedrīkst turēt rokas rotējošā darba instrumenta tuvumā.** *Darba instruments atmešanas laikā var ievainot roku.*
- c) **Neinstalējiet vietā, kur elektroinstruments atmešanas laikā varētu atlekt.** *Atmešanas laikā elektroinstruments bloķēšanas vietā pārvietojas pretēji slīpriņas kustības virzienam.*
- d) **Sevišķi uzmanīgi nepieciešams apstrādāt stūrus, asas šķautnes un tml.** **Nepieciešams nepieļaut, lai darba instruments darba laikā lēkātu, tiktu atsits vai bloķēts.** *Rotējošs darba instruments apstrādājot stūrus, asas šķautnes vai kad tiek atsits ir ļoti labvēlīgi iekļēšanai. Tas var būt kontroles zaudēšanas vai atmešanas iemesls.*
- e) **Nedrīkst uzstādīt disku kokam vai zobutus diskus.** *Ar šī tipa darba instrumentiem bieži rodas atmešana vai tiek zaudēta kontrole par elektroinstrumentu.*

PAPILDUS DROŠĪBAS NORĀDĪJUMI SLĪPĒŠANAS UN GRIEŠANAS OPERĀCIJU LAIKĀ.



Drošības principi slīpējot un griežot ar slīpdisku:

- a) **Nepieciešams lietot tikai slīpdiskus, kuri paredzēti elektroinstrumentam un speciālus pārsegus paredzētus dotajam slīpdiskam.** *Slīpdiski, kuri nav projektēti elektroinstrumentam un nav pilnība pārsegti ir bīstami.*
- b) **Pārsegam jābūt labi piestiprinātam pie elektroinstrumenta, un to uzstādot tiek garantēta visaugstākā drošības pakāpe tā, lai operatora virzienā disks būtu pēc iespējas nosegts.** *Pārsegs sargā apkalpojošo personu no lauskām un negaidīta kontakta ar slīpdisku.*
- c) **Slīpdisku drīkst lietot tikai atbilstoši to pielietojumam.** *Piem. nedrīkst slīpēt ar slīpdiska sānu virsmu, ja tas paredzēt griešanai. Griešanas slīpdiski paredzēti materiāla apstrādei ar diska griezīti asmeni. Sānu spēki pielikti šiem diskem var radīt vibrāciju un tos salauzt.*
- d) **Vienmēr lietot nesabojātus, dotajam diskam izvēlētus, attiecīga izmēra un formas stiprināšanas gredzenus.** *Gredzeni papildus stiprina slīpdisku, līdz ar to samazinās slīpdiska sabojāšanas iespēju. Griešanas slīpdisku gredzeni var atšķirties no slīpēšanas slīpdisku gredzeniem.*

- e) **Nedrīkst lietot nolietotus slīpdiskus paredzētus lielākiem elektroinstrumentiem.** Diski paredzēti lielākiem elektroinstrumentiem nav piemēroti lielākiem ātrumiem, kuri ir mazāku elektroinstrumentu raksturojums un tāpēc var saplīst.



Papildus drošības norādījumi griešanai:

- a) **Nespiest griezējdisku un nelietot pārāk lielu spiedienu.** Nav ieteicams veikt pārāk dziļu griešanu. Pārslūgājot griezējdisku griešanas laikā palielinās spēks, kurš iedarbojas uz to, līdz ar spēja sagriezties vai saliekties un atmešanas iespēja vai diska sabojāšanās, salaušana.
- b) **Nedrīkst stāvēt vienā līnijā ar rotējošu griezējdisku.** Attālinot griezējdisku virzienā no sevis var radīt, ka iespējama atmešana, kura var izstumt disku un elektroinstrumentu operatora virzienā.
- c) **Gadījumā, ja notiek griezējdiska iekļīšanās vai pārtraukums darbā, elektroinstrumentu nepieciešams izslēgt un pagaidīt līdz disks pilnībā apstāsies.** Nekad nemēģināt izvilkēt no griešanas vietas vēl kustībā esošu disku, par cik tas var radīt atmešanu. *Nepieciešams atklāt un novērst diska iekļīšanās iemeslu.*
- d) **Neslēgt elektroinstrumentu kamēr tas atrodas materiālā.** Pirms griešanas turpināšanas griezējdiskam jāsasniedz pilnu griešanas ātrumu. *Pretejā gadījumā griezējdiskus var iekļīties, izlekt no apstrādājamā priekšmeta vai radīt atmešanu.*
- e) **Plāksnes vai lielus priekšmetus pirms apstrādes nepieciešams papildus atbalstīt, lai samazinātu diska iekļīšanos un atmešanu.** *Lieli priekšmeti pašvara ietekmē var locīties. Atbalstiem jābūt uzstādītiem divās vietās, griešanas līnijas tuvumā, kā arī pie malas.*
- f) **Nepieciešams ievērot sevišķu uzmanību veicot iegremdējo griešanu pastāvošajās sienās vai operējot neredzamās zonās.** *Iegremdējoties materiālā griezējdiski var trāpīt uz gāzes vadiem, ūdensvadiem, elektriskiem vadiem vai citiem priekšmetiem, kuri var radīt atmešanu.*



Drošības norādījumi attiecībā uz slīpēšanu:

- a) **Neizmantojiet lielāka izmēra slīpkoksnes, izvēlieties darbam slīpkoksnes ar izmēriem, ko norādījusi ražotājfirma.** Ja slīpkoksne sniedzas pāri slīpēšanas pamatnes malām, tas var būt par cēloni savainojumam, izsaukt slīpkoksnes iestrēgšanu vai plīšanu, kā arī izraisīt siltienu.



Papildus drošības norādījumi darbā ar drāšu birsti.

Drošības principi tirot virsmas ar drāšu birsti:

- a) **Nepieciešams atcerēties, ka pie normālas ekspluatācijas drāšu birste zaudē gabaliņus.** **Nedrīkst pārslūgot drāts birsti ar pārāk lielu spiedienu uz to.** *Gaisā lidojošie drāšu gabaliņi var viegli iedurties caur plānām drēbēm un/vai ādu.*
- b) **Ja lieto aizsargu, nepieciešams izvairīties no birstes kontakta ar aizsargu.** *Birstes diametrs var palielināties slodzes un centrālās spēka iedarbībā.*



Slīpmašina, drošības brīdinājumi

Individuālā aizsardzība:

- a) **Gadījumā, ja notiek pārtraukums barošanā, piem. strāvas avārija vai pēc kontaktdakšīņas izņemšanas no kontakttīgšanas, nepieciešams atbloķēt slēdzi un nostādīt to izslēgšanas stāvoklī.** *Šādā veidā var novērst negaidītu elektroinstrumenta ieslēgšanu.*
- b) **Apstrādājot akmeni nepieciešams lietot putekļu sūkšanu.** **Putekļu sūcējam jābūt pielāgotam akmens putekļu sūkšanai.** *Lietojot šīs ierīces samazinās putekļu iedarbības bīstamību.*
- c) **Akmens griešanai nepieciešams lietot sānu vadotni.** *Bez sānu vadotnes griezējdiski var iekļīties un notikt materiāla atmešana.*
- d) **Elektroinstrumentu darba laikā nepieciešams stipri turēt ar abām rokām un nodrošināt drošu darba stāvokli.** *Elektroinstrumentu drošāk vadīt turot abās rokās.*
- e) **Apstrādājamo priekšmetu nepieciešams nostiprināt.** *Nostiprinot apstrādājamo priekšmetu stiprināšanas ierīcē vai skrūvspīles ir drošāk nekā turēt rokās.*
- f) **Nedrīkst lietot elektroinstrumentu ar bojātu vadu.** **Nedrīkst pieskarties pie bojāta vada, ja darba laikā tiek bojāts vads, nepieciešams izvilkt kontaktdakšīņu no kontakttīgšanas.** *Bojāti vadi palielina elektriskās strāvas trieciena risku.*

SLĪPMAŠĪNAS UZBŪVE UN PIELIETOJUMS:

Leņķveida slīpmašina ir rokas elektroinstrumenti ar vienfāzes komutatora dzinēja piedziņu. Apgādāts ar paļģi rokturi, kas dod iespēju uzstādīt to divām izvēlētas ligzdās.

Otrās aizsardzības klases ierīce (dubultā izolācija).

Slīpmašina paredzēta metāla elementu slīpēšanai un griešanai, metināšanas šuvju apstrādei, un lietojot attiecīgus instrumentus (disku, birstes un tml.), metāla virsmu rūsas tīrīšanai un pulēšanai.

Ierīce nav paredzēta gipsa vai līdzīgu stipri putekļainu virsmu apstrādei. Smalkie putekļi iekļūstot mašīnas iekšpusē rada ventilācijas atveru bloķēšanu, kas noved pie dzinēja pārkāršanas un sadegšanas.

Dotais elektroinstrumenti ir paredzēti vidējas intensitātes darbiem. Nav piemēroti ilglaicīgiem darbiem smagos apstākļos. **Nedrīkst lietot instrumentu veicot darbus, kur nepieciešams lietot profesionālas ierīces.**

Aizliegts elektroinstrumentu pielietot neatbilstoši augstāk uzrādītam pielietojumam, tas rada garantijas zaudēšanu kā arī ražotājs neatbild par šādā veidā radītiem zaudējumiem.

Jebkādas ierīces modifikācijas, kuras veic lietotājs atbrīvo ražotāju no atbildības par bojājumiem un zaudējumiem, kuri nodarīti lietotājam un apkārtējiem.

Pareiza elektroinstrumenta lietošana attiecas arī uz konservāciju, glabāšanu, transportu un remontu.

Elektroinstrumentu drīkst lietot tikai ražotāja uzrādītos servisa punktos. Ierīces, kuras tiek barotas no elektriskā tīkla drīkst lietot tikai pilnvarotas personas.

Neskatoties uz pielietojumam paredzēto lietošanu nevar pilnībā izslēgt atsevišķus riska elementus. Ņemot vērā mašīnas konstrukciju un uzbūvi var rasties sekojošas bīstamības:

- Pieskārsšanās darba laikā pie darba instrumenta ierīces neapsegta vietā;
- Aplaušanās darba instrumenta maiņas laikā. (Darba laikā darba instruments ļoti stipri sakarst, lai nepieļautu applaucēšanos tā maiņas laikā nepieciešams lietot aizsargcimdus);

- Apstrādājamā priekšmeta vai priekšmeta daļu atmešana;
- Darba instrumenta plūsums/salūšana;
- Dzirdes pasliktināšanās gadījumā, ja netiek lietoti dzirdes aizsardzības līdzekļi;
- Veselībai kaitīgo putekļu emisija veicot darbus slēgtās telpās.

KOMPLEKTĀCIJA:

- Slipmašīna - 1gab.
- Slipripas pārsegs - 1gab.
- Palīgrokturis - 1gab.
- Stiprināšanas apmava - 1 gab.
- Stiprināšanas uzgrieznis - 1 gab.
- Dakšveida atslēga - 1 gab.
- Garantijas karte - 1 gab.
- Lietošanas instrukcija - 1 gab.

A, B, C, D, E, F ZĪMĒJUMU APRAKSTS (2.-3. lpp):

1. Palīg rokturis
2. Slipripas pārsegs
3. Stiprināšanas uzgrieznis
4. Stiprināšanas apmava
5. Apgrīzietu virzienu rādītājs
6. Vārpstas bloķēšana
7. Slēdzis
8. Barošanas vads
9. Stiprināšanas skrūve
10. Vārpsta
11. Slipripa
12. Dakšveida atslēga

TEHNISKIE DATI:

MODEL	VZS125P
Nominālais spriegums	230-240 V
Nominālā frekvence	50 Hz
Jauda	750 W
Griešanās ātrums	11000 /min
Maks. slipripas diametrs/atveres diametrs	125 mm / 22 mm
Vārpstas vitne	M14
Ierīces klase	II/III
Barošanas vada garums	2 m
Masa	2,0 kg
Akustiskā spiediena līmenis (LpA)	88,7 dB(A), ±3dB(A)
Akustiskās jaudas līmenis (LwA)	99,7 dB(A), ±3dB(A)
Vibrācijas līmenis saskaņā ar EN 60745 (mērījumu izkliede - 1,5m/s ²)	11,786 m/s ²

Uzrādītais vibrācijas līmenis ir reprezentatīvs elektroinstrumenta pamata lietošanai. Ja elektroinstrumenti tiek lietoti citos nolūkos vai ar citiem darba instrumentiem, vai arī ja nebūs pietiekami konservēti, vibrācijas līmenis var atšķirties no uzrādītā. Augstāk uzrādītie iemesli var radīt vibrācijas ekspozīcijas palielināšanos visā darba laikā.

Nepieciešams realizēt papildus drošības līdzekļus, kuri pasargās operatoru no vibrācijas ekspozīcijas, piem.: Elektroinstrumenta un darba

instrumenta konservācija, atbilstošas roku temperatūras nodrošināšana, darba operāciju veikšanas secības noteikšana.

Deklarētās kopējās vibrācijas vērtības un deklarētās trokšņa emisijas vērtības ir mērītas saskaņā ar standartā testa metodi, un tās var izmantot, lai savā starpā salīdzinātu instrumentus.

Sākotnējam iedarbības novērtējumam var izmantot deklarētās kopējās vibrācijas vērtības un deklarētās trokšņa emisijas vērtības.

Brīdinājumi:

Vibrācijas un trokšņa emisija elektroinstrumenta faktiskā lietošanas laikā var atšķirties no deklarētajām vērtībām atkarībā no tā, kā tiek izmantots instruments un kāds materiāls tiek apstrādāts.

Operatora aizsardzībai nepieciešams notiekt drošības līdzekļus, kuri pamatojas uz iedarbības novērtējumu faktiskajā lietošanas laikā (ņemot vērā visas operatīvā cikla darbības daļas, kā piemēram laiku, kurā instruments ir izslēgts un kad strādā tukšgaitā, izņemot sprūda laiku).

PIRMS DARBA SĀKUMA:

1. Pārlicināties, ka barošanas avota parametri atbilst parametriem uzrādītiem uz slipmašīnas plāksnītes.
2. Pārlicināties, ka slipmašīnas slēdzis (7) atrodas izslēgšanas stāvoklī.
3. Strādājot ar pagarinātāju nepieciešams pārlicināties, ka pagarinātāja parametri, vadu šķēsgriezums atbilst slipmašīnas parametriem. Ieteicams lietot pēc iespējas isākus pagarinātājus. Pagarinātājam jābūt pilnībā attītam.

■ Palīg roktura montāža

UZMANĪBU: Ņemot vērā drošību, lietojot ierīci jebkādos darbos vienmēr nepieciešams lietot palīgrokturi (1).

Atkarībā no darba apstākļiem palīgrokturi nepieciešams ieskrūvēt līdz galam vienā no trimjam slipmašīnas galvas ligzdām (skat.: zīm.B, lpp.2).

■ Slipripas pārsega montāža

UZMANĪBU: Pirms slipripas pārsega uzstādīšana un noņemšanas nepieciešams pārlicināties vai ierīce ir izslēgta un atvienota no barošanas avota.

Strādājot ar slipripām vai griešanas diskkiem jābūt uzstādītam slipripas pārsegam (2). Slipripas pārsega stāvokli nepieciešams pielāgot darba veidam. Aizvērtai pārsega daļai vienmēr jābūt operatora pusē. Lai uzstādītu slipripas pārsegu, nepieciešams:

- Novietot slipmašīnu tā, lai vārpsta (10) būtu uz augšu.
- Uzlikt slipripas pārsegu (2) kā parādīts zīmējumā C lpp. 2 un nofiksēt ar stiprināšanas skrūvi (9), pieskrūvējot to ar skrūvgriezi Ph 2

■ Slipēšanas instrumentu montāža (skat.: zīm. D, E, F lpp. 3)

UZMANĪBU: Pirms slipēšanas instrumentu uzstādīšana un noņemšanas nepieciešams pārlicināties vai ierīce ir izslēgta un atvienota no barošanas avota.

Pirms montāžas nepieciešams attīrīt slipmašīnas vārpstu un visus stiprināšanas elementus.

Nepieciešams pārlicināties vai sakrīt slipēšanas instrumentu izmēri un griešanās/griezes ātrumi uzrādīti uz instrumentu etiķetēm ar slipmašīnas pieļaujamiem izmēriem. Slipēšanas diskam uz stiprināšanas apmavas jāatrodas bez pielāides. Nelietot redukcijas paliktņus vai adapterus.

Diska uzstādīšanai nepieciešams:

1. Novietot slipmašīnu ar vārpstu (10) uz augšu. Uzlikt stiprināšanas apmavu (4) ar apakšējo izejošo daļu ar rievu uz vārpstu tā, lai

apmava sazobotos uz vārpstas.

2. Uzlikt disku (11) ar izliekto pusi uz leju uz augšējo stiprināšanas apmavas izejošo daļu.
3. Uzskrūvēt stiprināšanas uzgriezni (3) uz vārpstu tā, lai disks būtu precīzi stiprināts. (Stiprināšanas uzgriežnim ir ieliekta un izliekta puse. Atkarībā no izmantotā diska nominālā biežuma to var uzskrūvēt ar vienu vai otru pusi (skat.: zīm. E lpp. 3)).
4. Nospiež vārpstas bloķēšanu (6) un ar dakšveida atslēgu (12) ar nelielu spēku pieskrūvēt stiprināšanas uzgriezni, par cik darba procesā šis uzgrieznis patvaļīgi pieskrūvējas. Šāda darbība dod iespēju diska noņemšanas laikā nesabojāt reduktora korpusu.

UZMANĪBU: Vārpstas bloķēšanu (6) nospiež tikai pie nekustīgas vārpstas!

Nekad nelietot disku ar nepareizu maksimālo griešanās ātrumu!

■ Izmēģinājuma palaišana

Pēc slīpēšanas instrumenta uzstādīšanas un pirms ierīces ieslēgšanas pārbaudīt vai instruments ir pareizi uzstādīts un vai brīvi griežas.

Slīpmašīnas izmēģinājuma palaišanu nepieciešams veikt tālu no cilvēkiem.

Izmēģinājuma palaišanas laiks	Pie pirmās palaišanas	1 minūte vai ilgāk
	Pēc diska maiņas	3 minūtes vai ilgāk

DARBS:

■ Ieslēgšana/izslēgšana

Slīpmašīnu iedarbina ar slēdzi (7) pārbidot to uz priekšu līdz bloķēšanas stāvoklim.

Slīpmašīna izslēgsies nospiežot slēdža aizmugures daļu (slēdža atspere automātiski pārbidīs slēdzi izslēgšanas stāvoklī).

UZMANĪBU: Slīpmašīnu nekad nenolik ar bloķētu slēdzi. Kad ierīce netiek lietota, nepieciešams izvilk barošanas vada kontaktdakšīņu no kontaktligzdas.

■ Darba norādījumi

- Apstrādājamo priekšmetu nepieciešams nostiprināt, ja tas pašsvara iedarbībā droši un stabili neatbalstās.
- Nepieciešams izvairīties no pārmērīga spiediena uz disku. Slīpēšanu veic izmantojot slīpmašīnas masu. Griešanas laikā izmantot tikai vieglu spiedienu. Pārāk liels spiediens uz disku samazina griešanās ātrumu, tāpēc slīpēšanas laikā var veidoties rauļņas virsmas. Papildus dzinējs pārkarst un sabojājas.

■ Slīpēšanas virziens

Lietojot jaunu slīpēšanas disku vispirms nepieciešams slīpmašīnu virzīt uz aizmuguri (virziens B) (skat.: zīm. G, lpp. 3), tad jaunā diska šķautne noapaļosies, tas dos iespēju viegli pārvietot slīpmašīnu jebkurā virzienā.

■ Slīpēšanas leņķis

Slīpēšanai nelietot visu slīpripas virsmu, bet tikai tās šķautni.

Efektīvu slīpēšanu panāk, ja starp apstrādājamo materiālu un slīpmašīnu saglabā leņķi no 15° līdz 30° (skat.: zīm. G, lpp. 3).

■ Rupjā slīpēšana

Vislabāko darba efektu pie rupjās slīpēšanas iegūstam vadot slīpēšanas disku attiecībā pret apstrādājamo virsmu leņķi no 30° līdz 40° (skat.: zīm. H, lpp. 3).

Ierīci ar mērenu spēku piespiež pie slīpējamā elementa un brīvi pāvietot

pa apstrādājamo materiālu. Pateicoties attiecīgam spiedienam apstrādājama elements pārlietu nesakarst, nemainās tā krāsa kā arī uz tā virsmas slīpēšanas laikā neradīsies rievas vai citi nelīdzenumi.

UZMANĪBU: Nekādā gadījumā nelietot griezēj diskus virsmu tīrīšanai / slīpēšanai.

■ Griešana

Griešanas laikā ierīci pārmērīgi stipri nepiespiež, nesagriez, neoscilēt. Nepieciešams strādāt ar vienmērīgu, dotajam materiāla tipam optimāli piemērotu padēvi.

Nebremzēt rotējošo instrumentu piespiežot ierīci ar sāniem pie citiem priekšmetiem.

UZMANĪBU: Svarīgs ir griešanas virziens. Griešanu jāveic saskaņā ar slīpripas griešanas virzienu (skat.: zīm. I, lpp. 3). Nestrādāt ar ierīci citā virzienā! Pretējā gadījumā var notikt ierīces nekontrolēta izraušana no griešanas līnijās.

GLABĀŠANA UN KONSERVĀCIJA:

Mašīnai principā nav nepieciešama speciāla konservācija. Mašīnu nepieciešams glabāt bērniem nepieejamās vietās, uzturēt tīrā stāvoklī, sargāt no mitruma un putekļiem. Glabāšanas apstākļiem jāizslēdz mehānisko bojājumu iespēju kā arī kaitīgo atmosfēras apstākļu iedarbību.

Šī ierīce ir saskaņā ar valsts un Eiropas normām, kā arī ar drošības prasībām. Visāda veida labošanas darbus jāveic kvalificētam personālam, lietojot oriģinālas rezerves daļas.

■ Tīrīšana

Lai nodrošinātu drošu un ražīgu darbu, slīpmašīnas korpusam un ventilācijas atverēm jābūt brīvām no putekļiem un netīrumiem. Uzreiz pēc katras lietošanas ierīci ieteicams tīrīt.

Slīpmašīnu slaucīt ar tīru mitru drānu, lietojot nedaudz ziepes. Nelietot nekādus tīrīšanas līdzekļus vai šķīdinātājus, tie var sabojāt no plastmasas izgatavotas ierīces daļas. Nepieciešams uzmanīties, lai ierīces iekšpusē neiekļūtu ūdens.

Pēc darba stipri putekļainā vidē ar saspiesto gaisu ieteicams izpūst ventilācijas atveres, tas novērsīs gultņu bojājumu un likvidēs putekļus, kuri bloķē gaisa piegādi dzinēja dzesēšanai.

TIPVEIDA DEFEKTI UN TO NOVĒRŠANA:

Elektroinstruments neizslēdzas vai pārtrauc darbu:

- pārbaudīt vai barošanas vads (8) ir pareizi pievienots kā arī vai barošanas ligzdā ir strāvas plūsma;
- pārbaudīt ogļiņu suku stāvokli un nepieciešamības gadījumā nomainīt.

UZMANĪBU! Ogļiņu suku var mainīt tikai pilnvarots elektriķis.

- ja elektroinstruments joprojām nedarbojas, neskatoties uz to, ka ir spriegums un labas ogļiņu suku, nepieciešams to nosūtīt uz norādīto servisa adresi. Adrese uzrādīta garantijas kartē.

TRANSPORTS:

Slīpmašīnu transportēt un glabāt transportēšanas koferī, sargājot no mitruma, putekļiem un smalkiem elementiem, īpaši nepieciešams aizsargāt ventilācijas atveres. Smalkie elementi, iekļūstot korpusa iekšienē var sabojāt dzinēju.

RAŽOTĀJS:

PROFIX SIA, Marywilka iela 34, 03-228 Varšava, Polija

VIDES AIZSARDZĪBA:



UZMANĪBU: Tajā veidā apzīmētus izstrādājumus, neizpildes gadījumā paredzot naudas sodu, nedrīkst izmest kopā ar parastiem atkritumiem. Elektriskajā un elektroniskajā iekārtā esošas briesmīgas vielas var kaitēt apkārtejai videi un cilvēku veselībai.

Nepieciešams veicināt iekārtu atkritumu pārstrādašanai un atkārtotai izmantošanai (reciklēšanai). Polijā un Eiropā tiek veidots, vai jau eksistē, iekārtu atkritumu vākšanas sistēma, saskaņā ar ko visiem iepriekšminētās iekārtas pārdošanas punktiem ir pienākums pieņemt nolietotu iekārtu. Turklāt, ir pieejamas iepriekšminētās iekārtas vākšanas punkti.

PIKTOGRAMMAS:

Apzīmējumu skaidrojums, kuri atrodas uz plāksnītes un informācijas uzlīmēm:



— «**BRĪDINĀJUMS!** Pirms ieslēgšanas un darba sākuma nepieciešams iepazīties ar šo instrukciju»



— «**Vienmēr lietot aizsargbrilles**»



— «**Lietot dzirdes aizsardzības līdzekļus**»



— «**Lietot putekļu maskas**»



— «**Lietot aizsargcimdus**»



Firmas PROFIX politika ir nepārtraukta savu produktu pilnveidošanas politika, tāpēc firma sev rezervē tiesības ievest izstrādājuma specifikācijas izmaiņas bez iepriekšējas paziņošanas. Zīmējumi, kuri uzrādīti apkalpošanas instrukcijā kalpo tikai kā piemērs un var nedaudz atšķirties no iegādātās ierīces reālā izskata.

Šī instrukcija ir sargāta ar autortiesībām. Aizliegts to kopēt/pavairot bez PROFIX SIA rakstiskas atļaujas.



PŘED ZAHÁJENÍM POUŽÍVÁNÍ SE SEZNAMTE S TÍMTO NÁVODEM.

Uchovávejte návod pro případné další použití.



POZOR! Přečtěte si všechny výstrahy týkající se bezpečnosti používání označené symbolem ⚠ a veškeré pokyny týkající se bezpečnosti používání.

Nedodržování uvedených bezpečnostních výstrah a bezpečnostních pokynů může být příčinou zásahu elektrickým proudem, požáru a/nebo závažných úrazů.

Uchovávejte výstrahy a pokyny týkající se bezpečnosti pro případné použití v budoucnosti.

V níže uváděných výstrahách pojem „elektronářadí“ znamená elektronářadí napájené z elektrické sítě (elektrickým vodičem) nebo elektronářadí napájené baterií (bezdrátové).



VÝSTRAHA! Všeobecné výstrahy týkající se bezpečného používání nářadí.

Bezpečnost na pracovišti:

- Udržujte na pracovišti pořádek a zajistěte zde dobré osvětlení. Nepořídek a špatné osvětlení často zapříčiňují nehody.
- Nepoužívejte elektronářadí ve výbušném prostředí tvořeném hořlavými tekutinami, plyny nebo prachem. Elektronářadí vytváří jiskry, které by mohly zapálit prach nebo výpary.
- Nepouštějte děti ani jiné pozorovatele na místa, kde se používá elektronářadí. Rušení pozornosti může způsobit ztrátu kontroly nad elektronářadím.



VÝSTRAHA! Všeobecné výstrahy týkající se bezpečného používání nářadí.

Elektrická bezpečnost:

- Zástrčky nářadí musí odpovídat zásuvkám. Nikdy žádným způsobem nepředělávejte zástrčky. V případě elektronářadí, které má vodič s ochranným uzemněním, nepoužívejte žádné prodlužovačky. Původní nepředělané zástrčky a zásuvky snižují riziko zásahu elektrickým proudem.
- Vyvarujte se dotýkání uzemněných ploch nebo takových, které jsou spojené s hmotou, jako jsou trubky, ohřívače, radiátory ústředního topení a chladničky. V případě dotýkání takových ploch a předmětů roste riziko zásahu elektrickým proudem.
- Nevystavujte elektronářadí na působení deště nebo vlhka. Pokud by se do elektronářadí dostala voda, roste riziko zásahu elektrickým proudem.
- Kabely se nesmí žádným způsobem namáhat. Nikdy nepoužívejte kabel k nošení, tažení elektronářadí nebo k vytahování zástrčky ze zásuvky. Kabel musí být umístěn daleko od zdrojů tepla, oleje, ostrých hran nebo pohyblivých částí. Poškozené nebo propletené kabely zvyšují riziko zásahu elektrickým proudem.
- V případě, že se elektronářadí používá venku, je třeba prodlužovat elektrické kabely prodlužovací určenými na práci venku. Používání prodlužovače určeného do venkovního prostředí snižuje riziko zásahu elektrickým proudem.
- Doporučuje se připojení zařízení k elektrické síti vybavené proudovým chráničem (RCD) s vypínacím proudem 30mA nebo menším.

- Pokud je nezbytné použití elektronářadí ve vlhkém prostředí, je třeba použít jako ochranu proudový chránič (RCD). Použití RCD snižuje riziko zásahu elektrickým proudem.



VÝSTRAHA! Všeobecné výstrahy týkající se bezpečného používání nářadí.

Osobní bezpečnost:

- Toto zařízení nesmí používat osoby (včetně dětí) s omezenou fyzickou, smyslovou nebo psychickou schopností, nebo osoby, které nemají odpovídající zkušenosti nebo znalosti zařízení, leda že je používají s příslušným dozorem, nebo v souladu s návodem na používání zařízení, který jim předají osoby zodpovědné za jejich bezpečnost.
- Při používání elektronářadí je třeba být předvídatý, pozorovat, co se děje, a používat zdravý rozum. Nepoužívejte elektronářadí, pokud jste unavení nebo pod vlivem drog, alkoholu nebo léků. Chvilé nepozornosti při práci s elektronářadím může způsobit závažné osobní úrazy.
- Je třeba používat osobní ochranné prostředky. Je třeba vždy používat ochranné brýle. Používání v příslušných podmínkách takových ochranných prostředků, jako je protiprachová respirační maska, protiskluzová obuv, přilba nebo chrániče sluchu, snižuje nebezpečí osobních úrazů.
- Je třeba se vyhnout neplánovanému spuštění. Před připojením k elektrickému zdroji a/nebo před zapojením baterie a než se nářadí zvedne, nebo přeneše, je třeba se ujistit, že je vypínač elektronářadí v poloze vypnuto. Přenášení elektronářadí s prstem na vypínači nebo připojení elektronářadí do sítě se zapojeným vypínačem může být příčinou nehody.
- Před spuštěním elektronářadí je třeba odstranit všechny klíče. Ponechání klíče v otáčející se části elektronářadí může způsobit poranění.
- Je zakázáno přilížit se naklánět. Po celou dobu musíte stát pevně a udržovat rovnováhu. Umožní Vám to dobře kontrolovat elektronářadí při nepředvídatelných situacích.
- Je třeba mít vhodné oblečení. Při práci nenoste volné oblečení ani bižuterii. Je třeba zajistit, aby Vaše vlasy, oblečení a rukavice byly v bezpečné vzdálenosti od pohyblivých částí. Volné oblečení, bižuterie nebo dlouhé vlasy se mohou zachytit do pohyblivých částí.
- Pokud je zařízení přizpůsobeno na napojení k vnějšímu odsávání prachu a pohlcovači prachu, ujistěte se, že jsou připojeny a řádně se používají. Použitím pohlcovačů prachu můžete omezit nebezpečí závislé na prašnosti.
- Neodvolte, aby vaše znalosti získané častým používáním elektronářadí způsobily, že se budete cítit sebejistě a začnete ignorovat bezpečnostní pravidla. Neopatrnost při činnosti může způsobit v zlomku sekundy závažný úraz.



VÝSTRAHA! Všeobecné výstrahy týkající se bezpečného používání nářadí.

Používání elektronářadí a péče o ně:

- Elektronářadí se nesmí přetěžovat. Je třeba používat elektronářadí s výkonem vhodným pro provádění určité práce. Správné elektronářadí umožní lepší a bezpečnější práci se zátěží, na kterou bylo naprojektováno.

- b) Elektronářadí, u kterého nefunguje spínač, se nesmí používat. Každé elektronářadí, které nelze zapínat nebo vypínat spínačem, je nebezpečné a je třeba je opravit.
- c) Před provedením každého seřízení, výměny součástky nebo před skladováním odpojte zástrčku elektronářadí od zdroje elektrického proudu a/nebo odpojte baterii. Takový bezpečnostní postup omezuje riziko náhodného spuštění elektronářadí.
- d) Nepoužívané elektronářadí uchovávejte mimo dosah dětí a nedovolte přístup osobám, které nejsou obeznámené s elektronářadím nebo s tímto návodem na používání elektronářadí. Elektronářadí může být nebezpečné v rukách nevyskolených uživatelů.
- e) Elektronářadí je třeba udržovat. Je třeba kontrolovat souosost nebo zaseknutí pohyblivých částí, praskliny součásti a veškeré další faktory, které by mohly ovlivnit činnost elektronářadí. Pokud zjistíte poškození, musíte elektronářadí před použitím opravit. Příčinou mnohých nehod je neodborná údržba elektronářadí.
- f) Řezací nástroje musí být ostré a čisté. Řádná údržba ostrých hran řezacích nástrojů snižuje pravděpodobnost zaseknutí a usnadňuje obsluhu.
- g) Elektronářadí, vybavení, pracovní nástroje apod. používejte v souladu s tímto návodem, při čemž zohledňujte pracovní podmínky a druh prováděné práce. Používání jiným způsobem, pro který není elektronářadí určeno, může způsobit nebezpečné situace.
- h) V nízkých teplotách, nebo pokud se nářadí po delší dobu nepoužívá, doporučuje se zapnout elektronářadí bez zátěže po dobu několika minut za účelem řádného promazání mechanismu pohonu.
- i) K čištění elektronářadí používejte měkký, vlhký (ne mokrý) hadřík a mýdlo. Nepoužívejte benzin, rozpouštědla a další prostředky, které by mohly poškodit zařízení.
- j) Elektronářadí je třeba skladovat / dopravovat až potom, co se ujistíte, že jsou veškeré jeho pohyblivé součásti zablokované a zajištěné proti odblokování s použitím původních součástek určených k tomuto účelu.
- k) Elektronářadí skladujte na suchém místě chráněném proti prachu a průniku vlhkosti.
- l) Doprava elektronářadí by měla probíhat v původním obalu tak, aby bylo chráněné proti mechanickému použití.
- m) Držáky a plochy uchopení udržujte čisté, nezamastěné olejem a mazivem. Kluzké držáky a plochy uchopení neumožňují bezpečné držení nářadí a jeho plnou kontrolu v nečekaných situacích.



VÝSTRAHA! Všeobecné výstrahy týkající se používání nářadí.

Oprava:

- a) Záruční a pozáruční opravy svého elektronářadí provádí Servis PROFIX, což zaručuje nejvyšší kvalitu oprav a používání původní náhradních dílů.
- b) Pokud by byl pevný přívodní kabel zařízení poškozený, je třeba jej nechat vyměnit u výrobce nebo v odborné opravně, nebo kvalifikovanou osobou, aby se tak zamezilo ohrožení.



VÝSTRAHA!

Při práci s elektronářadím vždy dodržujte základní pravidla bezpečnosti práce, abyste zamezili výbuchu požáru, zásahu elektrickým proudem nebo mechanickému úrazu.

ÚHLOVÁ BRUSKA



Bezpečnostní pokyny týkající se broušení, broušení brusným papírem, práce s použitím drátěných kartáčů a řezání rozbrušovacím kotoučem:

- a) Toto elektronářadí lze používat jako obyčejnou brusku, brusku na broušení brusným papírem, na broušení drátěnými kartáči a jako zařízení na řezání rozbrušovacím kotoučem. Dodržujte veškeré bezpečnostní pokyny, návody, popisy a údaje dodávané spolu s elektronářadím. Nedodržování pokynů a návodů může způsobit nebezpečí úrazu elektrickým proudem, požáru a/nebo závažných úrazů.
- b) Nepoužívejte příslušenství, které není projektované, předpokládané a doporučované výrobcem speciálně pro toto elektronářadí. Skutečnost, že se příslušenství dá namontovat do elektronářadí, nezaručuje bezpečnost při používání a obsluhu.
- c) Jmenovitá rychlost otáček používaného pracovního nástroje by měla být přinejmenším stejná, jako maximální rychlost otáček elektronářadí. Přípustná rychlost otáček používaného pracovního nástroje nemůže být menší, než uváděna na elektronářadí maximální rychlost otáček. Pracovní nástroj, který se otáčí rychlostí větší než přípustná, se může zlomit a jeho části mohou odprsknout.
- d) Vnější průměr a tloušťka pracovního nástroje se musí vejít do rozsahu přípustného pro toto elektronářadí. Pracovní nástroj s nesprávnými rozměry nemůže být dostatečně chráněn krytem nebo kontrolován.
- e) Průměry otvoru brusných kotoučů, manžet, upevňujících kotoučů a jiného příslušenství musí přesně lícovat s vřetenem elektronářadí. Pracovní nástroje s otvory, které nejsou přesně uzpůsobené na vřetenem elektronářadí, se otáčejí nerovnoměrně, silně vibrují a mohou způsobit ztrátu kontroly nad elektronářadím.
- f) V žádném případě se nesmí používat poškozené pracovní nástroje. Před každým použitím zkontrolujte příslušenství, např. brusné kotouče, jestli na nich nejsou praskliny nebo odštěpky, brusné taliře, zda nejsou prasklé, zedřené nebo silně opotřebované, drátěné kartáče jestli v nich nejsou uvolněné nebo zlomené dráty. Pokud elektronářadí nebo pracovní nástroj upadne, je třeba zkontrolovat, zda není poškozené, nebo použít jiný, nepoškozený nástroj. Po prověření a namontování pracovního nástroje, se postavte v jiné rovině, než je rovina otáček nástroje, ujistěte se, že v rovině otáček nástroje nejsou postranní osoby. Zapněte elektronářadí na minutu na nejvyšší otáčky, věnujte při tom pozornost tomu, aby obsluha stroje a jiné osoby nacházející se poblíž byly mimo oblast otáčejícího se nástroje. Poškozené nástroje se lámou nejčastěji při takovém zkušebním zapojení.
- g) Používejte osobní ochranné prostředky. V závislosti na druhu práce, noste ochrannou masku na celý obličej, ochranu očí nebo ochranné brýle. V případě potřeby používejte respirační masku proti prachu, ochranu sluchu, ochranné

rukavice, zástěru na ochranu proti malým částicím broušeného nebo zpracovávaného materiálu. Prostředky na ochranu očí musí být schopné zastavit letící úlomek vzniklý při provádění různých úkonů. Respirační masky a prostředky na ochranu dýchacích cest by měly filtrovat částice prachu vznikající při práci. Dlouhodobé vystavení hluku s vysokou intenzitou může způsobit ztrátu sluchu.

- h) **Je třeba dávat pozor, aby přítomné postranní osoby byly v bezpečné vzdálenosti od místa používání a oblasti zasahování elektronářadí. Každý, kdo je poblíž elektronářadí během provozu, musí používat osobní ochranné prostředky. Úlomky obráběné věci nebo kousky prasknutého pracovního nástroje mohou odletět a způsobit úraz také mimo bezprostřední oblast zásahu.**
- i) **Při práci, při níž by mohlo nářadí natrefit na skryté elektrické vedení nebo na vlastní vodič, držte stroj za izolované plochy. Vlivem kontaktu s vodiči pod napětím budou všechny kovové součástky stroje také pod napětím a mohou způsobit obsluhu úraz elektrickým proudem.**
- j) **Kabel napájení musí být co nejdál od rotujících pracovních nástrojů. V případě ztráty kontroly nad strojem by mohl být kabel napájení přerušený nebo vtáženým nástrojem a mohlo by dojít i k vtážení dlaně nebo celé ruky do rotujícího pracovního nástroje.**
- k) **Nikdy neodkládejte elektronářadí dřívě, než dojde k úplnému zastavení pracovního nástroje. Rotující nástroj by mohl přijít do styku s plochou, na kterou bylo nářadí odloženo, což by mohlo způsobit ztrátu kontroly nad elektronářadím.**
- l) **Je zakázáno spouštět elektronářadí otočené kotoučem směrem k obsluhující osobě.**
- m) **Je zakázáno přenášet elektronářadí, které je v provozu. Náhodný kontakt oblečení s otáčejícím se pracovním nástrojem může způsobit zachycení látky a přitažení pracovního nástroje k tělu obsluhy.**
- n) **Pravidelně čistěte ventilační štěrby elektronářadí. Ventilátor motoru může vtáhnout prach do krytu, přílišné nahromadění kovového prachu může způsobit elektrické ohrožení.**
- o) **Nepoužívejte elektronářadí poblíž hořlavých materiálů. Jiskry by mohly způsobit jejich vznícení.**
- p) **Nepoužívejte nástroje, které vyžadují tekuté chladicí prostředky. Použití vody nebo jiných tekutých chladicích prostředků může způsobit úraz elektrickým proudem.**

BEZPEČNOSTNÍ NÁVOD PRO VŠECHNY ÚKONY

Zpětný ráz a výstrahy, které se k němu vztahují:

Zpětný ráz je prudká reakce elektronářadí na zablokování nebo zaseknutí rotujícího nástroje (brusný kotouč, brusný talíř, drátěný kartáč). Zaseknutí nebo zablokování způsobí náhle zastavení rotujícího nástroje, což vede ke ztrátě kontroly nad elektronářadím. Nekontrolované elektronářadí v takové situaci provede prudké trnutí opačným směrem, než je směr otáček pracovního nástroje.

Například, pokud se brusný kotouč vzpříčí nebo zasekne v obráběné věci, může se ponořeno do materiálu okraj kotouče zablokovat tak, že způsobí jeho vypadnutí nebo odhození. Kotouč může odletět směrem k obsluze v závislosti na směru otáček kotouče v místě zablokování. Kromě toho může dojít i ke zlomení kotouče.

Zpětný ráz to je výsledek nesprávného nebo chybného použití

elektronářadí. Lze mu předcházet použitím následujících bezpečnostních postupů.

- a) **Držte elektronářadí pevně a udržujte tělo a ruce v poloze umožňující oslabení zpětného rázu. Vždy používejte pomocný držák, pokud je součástí standardního vybavení, abyste tak získali co největší kontrolu nad silou zpětného rázu nebo nad kroutícím momentem při spouštění. Obsluha může zvládnout trháni a zpětný ráz, pokud dodrží příslušné bezpečnostní postupy.**
- b) **Nikdy nepřibližujte ruce k rotujícímu pracovnímu nástroji. Pracovní nástroj může zpětným rázem poranit ruku.**
- c) **Nestavějte se do oblasti, směrem do níž může elektronářadí odskočit v případě zpětného rázu. V důsledku zpětného rázu se elektronářadí pohybuje směrem opačným směru pohybu brusného kotouče v místě jeho zablokování.**
- d) **Obzvlášť opatrně postupujte při práci na rozích, ostrých hranách atd. Je třeba zabránit tomu, aby pracovní nástroje během práce poskakovaly, odrážely se anebo byly blokovány. Rotující pracovní nástroj se spíše vzpříčí při obrábění rohů, ostrých hran, nebo když se odrazí. Toto může způsobit ztrátu kontroly nebo odraz.**
- e) **Je zakázáno montovat na stroj kotouče na dřevo nebo ozubené kotouče. Pracovní nástroje tohoto druhu často způsobují zpětný ráz nebo ztrátu kontroly nad elektronářadím.**

DALŠÍ BEZPEČNOSTNÍ POKYNY BĚHEM ÚKONŮ BROUŠENÍ A ROZBRUŠOVÁNÍ



Bezpečnostní pravidla během broušení a rozbrušování brusným kotoučem:

- a) **Používejte výhradně kotouče, které jsou doporučené pro elektronářadí, a zvláštní kryty určené pro konkrétní kotouč. Kotouče, pro jejichž použití není stroj projektovaný, nelze dostatečně zakrýt a jsou nebezpečné.**
- b) **Kryt musí být dobře upevněn na elektronářadí a jeho nastavení musí zaručit co největší úroveň bezpečnosti tak, aby směrem k obsluze byl kotouč maximálně zakrytý. Kryt má chránit obsluhu proti úlomkům a náhodnému kontaktu s brusným kotoučem.**
- c) **Kotouče je možné používat výhradně v souladu s jejich určením. Nelze např. brousit boční plochou brusného kotouče určeného k rozbrušování. Rozbrušovací brusné kotouče jsou určeny k odstraňování materiálu hranou kotouče. Boční síly působící na tyto kotouče mohou způsobit vibrace a mohou je zlomit.**
- d) **Vždy používejte nepoškozené upevňující manžety správné velikosti a tvaru pro zvolený kotouč. Manžety drží kotouč, a tím snižují možnost jeho poškození. Manžety k rozbrušovacím kotoučům se mohou lišit od manžet k brusným kotoučům.**
- e) **Nepoužívejte opotřebované kotouče z větších strojů. Brusné kotouče určené do větších strojů nejsou vhodné pro vyšší rychlosti, které jsou typické pro menší elektronářadí, a proto by se mohly zlomit.**



Další bezpečnostní pokyny pro řezání:

- a) **Netlačte na rozbrušovací kotouč ani nepoužívejte příliš velkou sílu. Neprovádějte příliš hluboký řez. Přetížení rozbrušovacího kotouče zvyšuje jeho zátěž a náchylnost ke zkroucení nebo prohnutí při rozbrušování a tím zvyšuje**

nebezpečí zpětného rázu nebo zničení, zlomení kotouče.

- b) **Nikdy se nastavíte v jedné linii s otáčejícím se kotoučem.** Oddalování robrušujícího kotouče směrem od sebe může způsobit, že případný zpětný ráz může postříct kotouč a elektronářadí směrem k obsluze.
- c) **V případě, že se rozbrušující kotouč zasekne, nebo pokud děláte pracovní přestávku, vypněte elektronářadí a vyčkejte, až se kotouč zcela zastaví. Nikdy nezkušujte vytáhnout kotouč, který se pohybuje z místa rozbrušování, protože by to mohlo způsobit zpětný ráz. Je třeba zjistit a odstranit příčinu zaseknutí kotouče.**
- d) **Nespouštějte elektronářadí, pokud je ještě nástroj v materiálu. Před pokračováním v řezání by měl kotouč dosáhnout plných obrátek. V opačném případě se brusný kotouč může zachytit, vyskočit z obráběné věci nebo způsobit zpětný ráz.**
- e) **Desky nebo velké předměty je třeba před zahájením zpracování řádně podepřít, za účelem minimalizace rizika vzprícení kotouče a zpětného rázu. Velké předměty se mohou prohnout vlastní vahou. Podpěry musíte umístit na obou stranách – jak poblíž linie řezu, tak u hrany.**
- f) **Dodržujte zvláštní opatnost při provádění zapichovacích řezů v zdech nebo při práci v málo viditelných místech. Kotouč zahlubující se do materiálu se může setkat s vodovodními nebo plynovými trubkami, elektrickým vedením nebo jinými předměty, které mohou způsobit zpětný ráz.**



Další bezpečnostní pokyny pro broušení:

- a) **Nepoužívejte příliš velké archy brusného papíru. Při volbě velikosti brusného papíru postupujte podle pokynů výrobce. Velký brusný papír, který třcí mimo brusnou desku, může způsobit úrazy, a také vést k zablokování nebo roztržení papíru, nebo k zpětnému rázu.**



DALŠÍ BEZPEČNOSTNÍ POKYNY PRO PRÁCI S POUŽITÍM DRÁTĚNÝCH KARTÁČŮ

Bezpečnostní pravidla pro čištění povrchu drátěným kartáčem:

- a) **Pamatujte, že i při normálním používání dochází ke ztrátě kousků drátu z kartáče. Nepřetěžujte dráty příliš silným tlakem na kartáč. Létající vzduchem kousky drátů mnohdy snadno prorazí tenké oblečení a/nebo kůži.**
- b) **Pokud je doporučeno použití krytu, je třeba zabránit kontaktu kartáče s krytem. Průměr kartáčů se může zvětšit z důvodu zátěže a odstředivé síly.**



BRUSKA, VÝSTRAHY TÝKAJÍCÍ SE BEZPEČNOSTI

Osobní bezpečnost:

- a) **V případě přerušení dodávky proudu, např. po havárii nebo po vytažení zástrčky ze zásuvky, je třeba odblokovat vypínač a přepnout jej do polohy vypnuto. Tímto způsobem můžete zabránit neplánovanému spuštění stroje.**
- b) **Při obrábění kamene používejte odsávání prachu. Odsávač musí být přizpůsobený odsávání kamenného prachu. Použitím těchto zařízení snižíte ohrožení prachem.**
- c) **K rozbrušování (řezání) kamene použijte vodící sáně. Bez bočního vedení se může brusný kotouč vzprícit a způsobit zpětný ráz.**
- d) **Elektronářadí při práci držte silně v obou rukách a zajistěte si**

bezpečnou pracovní polohu. Elektronářadí lze oběma rukama vést bezpečněji.

- e) **Zajistěte obráběnou věc. Upevnění obráběné věci v upevňujícím zařízení nebo v svéráku je bezpečnější než jeho držení v ruce.**
- f) **Je zakázáno používat elektronářadí s poškozeným elektrickým kabelem. Nedotýkejte se poškozených kabelů; v případě, že se kabel poškodí během práce, vytáhněte zástrčku ze zásuvky. Poškozené kabely zvyšují riziko zásahu elektrickým proudem.**

KONSTRUKCE A URČENÍ BRUSKY:

Úhlová bruska je ruční elektronářadí poháněné jednofázovým, komutátorovým motorem. Je vybavena pomocným držákem s možností výběru jednoho ze dvou míst upevnění.

Zařízení je ve druhé třídě spotřebičů (dvojitá izolace).

Bruska je určena k broušení a rozbrušování kovů, obrábění svarů a, s použitím vhodných nástrojů (kotouče, kartáče atd.), k čištění a leštění kovových povrchů.

Nářadí není určeno na práci na sádrových nebo jiných silně prašných površích. Drobný prach po vniknutí dovnitř stroje způsobuje zablokování ventilací prostorů, což vede k přehřátí motoru a zkratu.

Toto elektronářadí je určeno pro práce střední intenzity. Není určeno pro dlouhodobou práci v těžkých podmínkách. **Není dovoleno používat toto nářadí k práci, která vyžaduje použití profesionálního nářadí.**

Každé použití zařízení jinak, než to vyplývá z jeho výše uvedeného určení, je zakázané, způsobuje ztrátu záruky a osvobozuje výrobce od odpovědnosti za takto způsobené škody.

Jakékoliv úpravy zařízení prováděné uživatelem osvobozuje výrobce od odpovědnosti za poškození a škody způsobené uživateli a okolí.

Správné používání elektronářadí se týká také údržby, skladování, dopravy a oprav.

Elektronářadí mohou opravovat pouze servisní opravny určené výrobcem. Zařízení, které je napájeno ze sítě, by měly opravovat pouze osoby, které jsou k tomuto oprávněny.

I při používání nářadí v souladu s jeho určením nelze zcela eliminovat určité rizikové faktory. Vzhledem ke konstrukci a stavbě stroje se mohou vyskytnout následující ohrožení:

- Dotek pracovního nástroje během práce v nechráněné oblasti nářadí;
- Popálení při výměně pracovního nástroje. (Během práce dochází k silnému zahřátí pracovního nástroje, pro zamezení popálení při jeho výměně používejte ochranné rukavice);
- Prasknutí/zlomení pracovního nástroje;
- Poškození sluchu v případě nepoužívání nezbytné ochrany sluchu;
- Zdraví škodlivé emise prachu v případě provádění prací v uzavřených prostorách.

■ Kompletace

- Bruska – 1 ks.
- Kryt kotouče – 1 ks.
- Pomocný držák – 1 ks.
- Upevňující manžeta – 1 ks.
- Upínací matice – 1 ks.
- Vidlicový klíč – 1 ks.
- Záruční list – 1 ks.
- Návod na obsluhu – 1 ks.

POPIS OBRÁZKŮ A, B, C, D, E, F (strana 2-3):

1. Pomocný držák
2. Kryt kotouče
3. Upínací matice
4. Upevňující manžeta
5. Šípka ukazující směr otáček
6. Tlačítko pojistky vřetena
7. Vypínač
8. Kabel napájení
9. Upevňující šroub
10. Vřeteno
11. Kotouč
12. Vidlicový klíč

TECHNICKÉ ÚDAJE:

MODEL	VZS125P
Jmenovitá napětí	230-240 V
Jmenovitý kmitočet	50 Hz
Odebíraný výkon	750 W
Rychlost otáček	11000 /min
Max. průměr kotouče/průměr otvoru	125 mm / 22 mm
Žávit vřetena	M14
Třída zařízení	□/II
Délka napájecího kabelu	2 m
Hmotnost	2,0 kg
Hladina akustického tlaku (LpA)	88,7 dB(A), ±3dB(A)
Hladina akustického výkonu (LwA)	99,7 dB(A), ±3dB(A)
Úroveň vibrací podle normy: EN 60745 (tolerance měření K=1,5 m/s ²)	11,786 m/s ²

Uvedená úroveň vibrací platí pro základní použití elektronářadí. Pokud by bylo elektronářadí použité jinak nebo s jinými pracovními nástroji, a také pokud nebude prováděna dostatečná údržba, úroveň vibrací se může lišit od uvedené. Výše uvedené důvody mohou způsobit zvýšení vystavení vibracím během celé doby práce.

Je třeba uplatnit další bezpečnostní prostředky, jejichž účelem je ochrana obsluhy proti důsledkům vystavení vibracím, např.: údržbu elektronářadí a pracovních nástrojů, zajištění vhodné teploty rukou, určení pořadí pracovních úkonů.

Deklarovaná celková hodnota vibrací a deklarované hodnoty emisí hluku byly naměřeny standardními způsoby zkoušení a lze je používat pro účely srovnávání s jiným nářadím.

Deklarovaná celková hodnota vibrací a deklarované hodnoty emisí hluku lze využívat při předběžném vyhodnocení vystavení.

Výstrahy:

Vibrace a emise hluku během skutečného používání elektronářadí se mohou lišit od deklarovaných hodnot v závislosti na způsobu, jakým je nářadí používáno, a především v závislosti na druhu obráběného předmětu.

Je třeba určit bezpečnostní prostředky na ochranu obsluhy, a to na základě odhadu skutečného vystavení během používání (při zohlednění všech částí operačního cyklu, jako je doba, po kterou je nářadí zapnuto, a doba, kdy je na volnoběhu, s výjimkou doby spouštění).

PŘED ZAČÁTKEM PRÁCE:

1. Ujistěte se, že zdroj napájení má parametry, které odpovídají parametrům zařízení, uvedeným na firemním štítku.
2. Ujistěte se, že vypínač zařízení (7) je v poloze vypnuto.
3. V případě práce s prodlužovačkou se ujistěte, že parametry prodlužovačky, průměry kabelů, odpovídají parametrům nářadí. Doporučujeme použití co nejkratší prodlužovačky. Prodlužovačka by měla být zcela rozvinutá.

■ Montáž pomocného držáku

POZOR: Z bezpečnostních důvodů používejte při všech pracích se zařízením vždy pomocný držák (1).

V závislosti na pracovních požadavcích je třeba našroubovat pomocný držák až nadoraz do jednoho ze tří závitů v hlavě brusky určených k tomuto účelu (viz: obr. B, str. 2).

■ Montáž krytu kotouče

POZOR: Před sundáváním a montováním krytu kotouče se ujistěte, že je zařízení vypnuté a odpojené od přívodu elektrického proudu.

Při práci s použitím brusných kotoučů nebo rozbrušovacích kotoučů musíte mít namontovaný kryt kotouče (2). Polohu krytu kotouče je třeba přizpůsobit druhu práce. Uzavřená strana krytu musí být vždy směrem k obsluze. Pro namontování krytu kotouče:

- Umístěte brusku tak, aby bylo vřeteno (10) otočené směrem nahoru.
- Nasadte kryt kotouče (2) podle obrázku C na str. 2 a zajistit upevňující šroub (9) dotažením šroubovákem Ph 2.

■ Montáž brusných nástrojů (viz: obr. D, E, F str. 3)

POZOR: Před sundáváním a montováním brusných nástrojů se ujistěte, že je stroj vypnutý a odpojený od přívodu elektrického proudu.

Před prováděním montáže očistěte vřeteno brusky a všechny upevňující součástky.

Ověřte si přípustnou velikost a rychlost otáček/obvodovou rychlost brusných nástrojů podle kontrolních etiket (firemních štítků) brusného nástroje a brusky. Brusný kotouč by měl být usazený bez vůle na upínací manžetu. Nepoužívejte redukční podložky ani adaptéry.

Kotouč namontujte následovně:

1. Položte brusku vřetenem (10) otočeným směrem nahoru. Nasadte upevňující manžetu (4) dolní vyčnívající části s drážkou na čep vřetena tak, aby se manžeta zachytila ve vřetenu.
2. Nasadte kotouč (11) vypouklou částí směrem dolů na horní vyčnívající část upevňující manžety.
3. Našroubujte upínací matici (3) na vřeteno tak, aby byl kotouč řádně upevněn. (Upínací matice má jednu stranu vypouklou a druhou zahluobenou. V závislosti na jmenovité tloušťce používaného kotouče se může našroubovat na jednu nebo na druhou stranu (viz: obr. E str. 3)).
4. Zmáčkněte tlačítko blokování vřetena (6) a dotáhněte vidlicovým klíčem (12) upínací matici jen s malou silou, jelikož se tato matice během práce samočinně dotahuje. Tento postup vám umožní zabránit poškození krytu reduktoru při sundávání matice.

POZOR! Nespínejte tlačítko blokování vřetena (6), za provozu stroje. Mohli byste tím elektronářadí poškodit.

Nikdy nepoužívejte kotouč s nevhodnou maximální rychlostí otáček!

■ Zkušební spuštění

Po namontování brusného nástroje a před zapnutím stroje zkontrolujte,

zda byl nástroj namontovaný správně a jestli se může voně otáčet.

Zkušební spuštění brusky proveďte v bezpečné vzdálenosti od jiných osob.

Doba zkušebního spuštění	Při prvním spuštění	1 minuta nebo více
	Po výměně kotouče	3 minuty nebo více

PRÁCE:

■ Zapínání/Vypínání

Bruska se spouští vypínačem (7), který je třeba posunout dopředu do zablokované polohy.

Bruska se vypíná stlačením zadní části vypínače (péro vypínače automaticky posune vypínač do vypnuté polohy).

POZOR: Nikdy neodkládejte brusku se zablokovaným vypínačem. Pokud se nářadí nepoužívá, je třeba nejdříve vytáhnout zástrčku napájecího kabelu zásuvky.

■ Pokyny týkající se práce

- Pokud není zcela jisté, obráběný předmět bude ležet nehybně a stabilně díky vlastní váze, musíte jej upevnit.
- Vyvarujte se nadměrného tlaku na kotouč. Broušení se provádí s využitím hmotnosti brusky. Při rozbrušování používejte pouze jemný tlak. Příliš velký způsobí snížení rychlosti otáček, což způsobí vznik drsných ploch při broušení. Navíc je tlak příčinou přehřívání a poškození motoru.

■ Směr broušení

Při použití nového brusného kotouče musíte nejdříve vést brusku směrem dozadu (směr **B**), (viz: obr. **G**, str. 3), to zajistí zaoblení hrany nového kotouče, a tak umožní snadné přemísťování brusky libovolným směrem.

■ Úhel broušení

Při broušení nepoužívejte celou plochu kotouče, ale výhradně jeho hranu.

Účinného broušení lze dosáhnout, pokud udržíte mezi bruskou a obráběným materiálem úhel od cca 15° do 30° (viz: obr. **G**, str. 3).

■ Hrubé broušení

Nejlepší výsledky při hrubém broušení dosáhnete, když povedete brusný kotouč pod úhlem od 30° do 40° k obráběnému povrchu (viz: obr. **H**, str. 3).

Přítlačujte zařízení k broušené části pouze jemnou silou a plynule je posunujte po materiálu. Použitím vhodné síly dosáhnete toho, že se obráběný materiál nebude příliš zahřívat, nezmění barvu a nevzniknou na něm při broušení drážky nebo jiné nerovnosti povrchu.

POZOR: V žádném případě nepoužívejte řezací (rozbrušovací) kotouče na zbrusuování/leštění.

■ Řezání

Během řezání netlačte příliš na zařízení, nekřivte je, nekmitajte s ním. Pracujte rovnoměrně, s rychlostí posunu přizpůsobenou obráběnému materiálu.

Nebrzděte rotující nástroje přítlačením ze strany k jiným předmětům.

POZOR: Důležitý je směr řezu. Řez by měl probíhat ve směru otáček kotouče (viz: obr. **I**, str. 3). Nepracujte se zařízením v jiném směru! V opačném případě může dojít k nekontrolovanému vytržení zařízení z linie

řezu.

SKLADOVÁNÍ A ÚDRŽBA:

Stroj v podstatě nevyžaduje zvláštní údržbu. Nářadí skladujte na místě, které není přístupné dětem, udržujte jej čisté, chraňte před vlhkem a zaprášením. Podmínky skladování by měly vylučovat možnost mechanického poškození nářadí a minimalizovat vliv škodlivých povětrnostních podmínek.

■ Čištění

POZOR! Před začátkem údržby se ujistěte, zda je zařízení odpojeno od napájení.

Pro zajištění bezpečné a efektivní práce je nutné, aby byl kryt brusky a ventilační štěrbyniny zbaven prachu a znečištění. Doporučuje se očistit stroj bezprostředně po každém použití.

Brusku utřete čistým vlhkým hadříkem s malým množstvím mýdla. Nepoužívejte žádné čisticí prostředky ani rozpouštědla; mohly by poškodit součásti zařízení z umělé hmoty. Dávejte pozor, aby se dovnitř zařízení nedostala voda.

Po práci ve velmi prašném prostředí se doporučuje pročištění ventilačních otvorů proudem stlačeného vzduchu – brání to předčasnému opotřebování ložisek a odstraňuje prach blokující přístup vzduchu chladičích motorů.

TYPICKÉ ZÁVADY JEJICH ODSTRANĚNÍ:

Elektronářadí se nezapíná nebo pracuje přerušovaně:

- zkontrolujte, zda je elektrický kabel (8) správně zapojen a zda je v zásuvce proud;
- zkontrolujte stav uhlíkových kartáčků a případně je vyměňte.

POZOR! Výměnu uhlíkových kartáčků může provádět pouze oprávněný elektrikář.

- pokud elektronářadí i nadále nefunguje, i když má správný přívod elektrické energie a neopotřebované uhlíkové kartáčky, třeba je odeslat do servisní opravy na adresu uvedenou v záručním listu.

DOPRAVA:

Elektronářadí dopravujte a skladujte v transportním kufříku, který chrání před vlhkem, prachem a drobnými objekty, zvláště je třeba zabezpečit ventilační otvory. Drobné části, které proniknou dovnitř krytu, můžou poškodit motor.

VÝROBCE:

PROFIX s.r.o.
ul. Marywilska 34,
03-228 Varšava, Polsko

Toto zařízení vyhovuje vnitrostátním i evropským normám a bezpečnostním požadavkům.

Veškeré opravy musí provádět kvalifikovaní odborníci, s použitím původních náhradních dílů.

OCHRANA ŽIVOTNÍHO PROSTŘEDÍ:



POZOR: Zobrazený symbol znamená zákaz likvidace zařízení dohromady s jinými odpady (na porušení zákazu se vztahuje pokuta). Nebezpečné složky, které se nacházejí v elektrickém a elektrotechnickém vybavení mají negativní vliv na životní prostředí a lidské zdraví.

Domácnosti by se měly zapojit do získávání zpět a opětovného využívání (recyklace) starých elektrospotřebičů. V Polsku a v Evropě se tvoří nebo už

existuje systém sběru elektroodpadu, v rámci kterého mají všechna prodejní místa elektrospotřebičů povinnost přijímat elektroodpad. Kromě toho existují sběrná místa pro elektroodpad.

PIKTOGRAMY:

Vysvětlení ikon umístěných na firemním štítku a na informačních nálepkách na zařízení:



– **«Výstraha! Před spuštěním zařízení si přečtěte návod na obsluhu!»**



– **«Během broušení používejte ochranu očí»**



– **«Během broušení používejte ochranu sluchu»**



– **«Během broušení používejte ochranu horních dýchacích cest»**



– **«Používejte ochranné rukavice»**




Politika firmy PROFIX je politikou průběžného zdokonalování výrobků, z toho důvodu si firma vyhrazuje právo změnit specifikaci výrobku bez předchozího informování. Obrázky, uvedené v návodu na obsluhu, jsou pouze příklady a mohou se lišit od skutečného vzhledu zakoupeného zařízení.

Tento návod je chráněný autorským zákonem. Jeho kopírování / rozmnožování bez písemného souhlasu společnosti PROFIX s.r.o. je zakázané.

Az eredeti utasítások fordítása

**HASZNÁLAT ELŐTT OLVASSA EL EZEKET AZ UTASÍTÁSOKAT!**

Tartsa meg ezt az útmutatót későbbi tájékozódás céljából!

**FIGYELEM!** Olvassa el a  szimbólummal jelzett, a munkavédelemmel kapcsolatos összes figyelmeztetést és a biztonságos használatra vonatkozó összes utasítást!

A következő biztonsági előírások be nem tartása miatt baleset, áramütés, tűzveszély és/vagy komoly sérülés fordulhat elő

Őrizze meg az összes munkavédelmi figyelmeztetést és utasítást későbbi felhasználás céljából!

Az alábbi figyelmeztetések során használt „elektromos szerszám” kifejezés olyan szerszámot jelöl, melynek áramellátása hálózatról (tápkábel) vagy akkumulátorral (kábel nélkül) történik.

**FIGYELEM!** Általános munkavédelmi szabályok:
Munkahelyi biztonság:

- Tartsa tisztán a munkaterületét és ügyeljen a jó megvilágításra! A munkaterületén uralkodó rendtelenség balesetekhez vezethet.
- Ne dolgozzon elektromos szerszámmal robbanásveszélyes környezetben, gyulladásveszélyes folyadékok, gázok vagy folyadékok közelében. Az elektromos szerszámok használata során szikra keletkezhet, mely belobbanthatja a port és a gőzöket.
- Tartsa távol a gyermekeket attól a helytől, ahol használja az elektromos szerszámot. A figyelemelterelés miatt elveszítheti kontrollját az elektromos szerszám felett.

**FIGYELEM!** A szerszám biztonságos használatával kapcsolatos általános szabályok:**Elektromos biztonság:**

- Az elektromos szerszám csatlakozó dugója meg kell feleljen az aljzattal. Tilos a csatlakozó dugó módosítása! Tilos hosszabbítók használata a védőföldeléses kábelrel ellátott elektromos szerszámok esetében! A csatlakozó dugók és aljzatok módosítása növeli az áramütés kockázatát!
- Kerülje a testi érintkezést a földelt felületekkel vagy tárgyakkal, mint a csövek, fűtőtestek, fűtőradiátorok vagy hűtőszekrények! A földelt részekkel való érintkezés esetén nő az áramütés kockázata!
- Ne tegye ki esőnek vagy nedves környezetnek az elektromos szerszámot! Víz behatolása esetén nő az áramütés kockázata!
- Ne erőltesse a csatlakozó kábel! Ne használja a hálózati kábelt a szerszám mozgatására, húzására vagy a csatlakozó dugó aljzattól történő kihúzására. Tartsa távol a hálózati kábelt hőforrásoktól, olajtól, éles szélektől és mozgó alkatrészekről! A sérült vagy összegabalyodott kábelek növelik az áramütés kockázatát!
- Amennyiben az elektromos szerszámot a szabadban használja, a csatlakozást a szabadban történő használatra alkalmas kültéri hosszabbítókkal kell megoldani. A szabadban történő használatra alkalmas hosszabbítók használata csökkenti az áramütés kockázatát.
- A berendezést 30mA vagy kisebb kioldó áramú védőkapcsolós (RCD) elektromos hálózatra javasolt kapcsolni csatlakoztatni.

- Amennyiben az elektromos szerszámot nedves környezetben használja, elkerülhetetlen egy feszültségvédelmi eszköz használata, mint egy hibaáram védelmi kapcsolóé (RCD). Az RCD használata csökkenti az áramütés kockázatát.

**FIGYELEM!** A szerszám használatának biztonságával kapcsolatos általános figyelmeztetések:**Személyi biztonság:**

- Ez a berendezés nem használható csökkentett fizikai, szenzoriális vagy mentális képességű személyek (beleértve a gyermekeket is), tapasztalattal nem rendelkező személyek vagy olyan személyek által, akik nem ismerik a berendezést, kivételt képeznek azok a helyzetek, amikor a berendezés használata felügyelet alatt vagy a használati utasítások betartásával történik egy, a biztonságért felelős személy által.
- Legyen figyelmes, összpontosítson arra, amit csinál és legyen mindig annak tudatában, hogy elektromos szerszámmal dolgozik! Ne használja az elektromos szerszámot, ha fáradt, ha kábítószert, alkoholt vagy gyógyszer befolyása alatt áll! Elektromos szerszám használatánál egy pillanattal figyelmetlenség is komoly sérülések okozója lehet!
- Hordjon védőruházatot! Minden esetben viseljen védőszemüveget! Olyan védőruházat hordása mint a porvédő maszk, csúszásbiztos cipő, fülvédő vagy hallásvédő csökkenti a sérülések kockázatát!
- Kerülje el, hogy az elektromos szerszám véletlenül bekapcsoljon! A hálózati áramforrásra történő csatlakozás és/vagy az akkumulátor csatlakoztatása, valamint a szerszám felemelése vagy mozgatása előtt, győződjön meg arról, hogy az elektromos szerszám kapcsolója kikapcsolt állapotban van! Az elektromos szerszám mozgatása vagy bekapcsolt állapotban történő használata balesetet okozhat!
- Az elektromos szerszám beindítása előtt távolítsa el minden szerszámot a közelből! Az elektromos szerszám mozgó részein hagyott szerszámok sérüléseket okozhatnak!
- Ne hajtjon le mélyen! Álljon biztosan és tartsa meg az egyensúlyát! Ez az elektromos szerszám jobb ellenőrzését teszi lehetővé váratlan helyzetekben.
- Ötözzön fel megfelelően! Ne hordjon bő ruházatot vagy ékszert! Haját kösse be, ruházatát és kesztyűjét tartsa távol a mozgó alkatrészekről! A bő ruházat, az ékszer és a hosszú haj beleakadhat a mozgó alkatrészekbe.
- Amennyiben a berendezés alkalmas külső porszívó és porgyűjtő csatlakoztatására, győződjön meg arról, hogy ezek helyesen lettek csatlakoztatva és használva. A porgyűjtő használata csökkenti a porral járó veszélyek kockázatát.
- Ne engedje, hogy az elektromos szerszám gyakori használata során szerzett jártasság hatására túlzott magabiztossá váljon és figyelmen kívül hagyja a biztonsági szabályokat. A figyelmen kívül hagyás alatt súlyos testi sérülést okozhat.

**FIGYELEM!** A szerszám biztonságos használatára vonatkozó általános figyelmeztetések:**Az elektromos szerszám használata és gondozása:**

- Ne terhelje túl az elektromos szerszámot! Az elvégzendő

munkához szükséges teljesítmény függvényében használjon elektromos szerszámokat! A megfelelő elektromos szerszám jobb működést és biztosabb terhelést tesz lehetővé.

- b) **Tilos az elektromos szerszám használata, ha a kapcsoló nem indítja el és nem állítja meg a szerszámot!** Minden elektromos szerszám, amely nem indul el vagy nem áll meg, veszélyes és meg kell javítani!
- c) **Minden beállítás, alkatrészcsere vagy tárolás előtt húzza ki a csatlakozó dugót az elektromos szerszám hálózati áramforrásából és/vagy vegye ki az akkumulátort!** Ezek a biztonsági intézkedések csökkentik az elektromos áram véletlenszerű bekapsolását.
- d) **A használaton kívüli elektromos szerszámot gyermekektől távol kell tárolni, és nem szabad kölcsön adni olyan személyeknek, akik nem ismerik az elektromos szerszámot vagy nem olvasták el annak használati utasításait!** Az elektromos szerszám veszélyes, ha tapasztalat nélküli személy használja!
- e) **Az elektromos szerszámot karban kell tartani!** Ellenőrizni kell a mozgásban lévő alkatrészek vonalbeállítását vagy zavarát, az alkatrészek törését és egyéb tényezőket, melyek befolyásolhatják az elektromos szerszám működését! Ha rongálódást észlelünk, az elektromos szerszámot még használat előtt meg kell javítani! Számos baleset oka az elektromos szerszám nem megfelelő karbantartása.
- f) **A vágószerszámok élesek és tiszták kell legyenek!** A vágószerszámok éles alkatrészeinek karbantartása csökkenti az anyagba történő beakadás kockázatát és megkönnyíti a használatot.
- g) **Az elektromos szerszámot, a berendezést, a munkaszerszámokat, stb. jelen utasításoknak megfelelően kell használni, figyelembe véve a munka jellegét és feltételeit.** Az elektromos szerszám rendeltetésétől eltérő használata veszélyes helyzeteket okozhat.
- h) **Alacsony hőmérsékleten vagy hosszabb használaton kívüli időszakot követően ajánlott az elektromos szerszám teher nélküli elindítása néhány percre a kenőanyag átviteli mechanizmusba történő helyes elosztása érdekében.**
- i) **Az elektromos szerszám tisztításához puha, nedves (nem vizes) rongyot és szappant használjon!** Ne használjon benzint, oldószert vagy egyéb anyagokat, amelyek károsíthatják a berendezést!
- j) **Az elektromos szerszámot csak azután lehet tárolni/szállítani, miután megbizonyosodtunk arról, hogy minden mozgó eleme rögzítésre és biztosításra került a rögzítésre szánt eredeti elemek segítségével.**
- k) **Az elektromos szerszámot száraz helyen kell tartani, védve a portól és a nedvességtől.**
- l) **Az elektromos szerszám szállítása az eredeti csomagolásban történhet, megvédve ezáltal a mechanikai sérülésektől.**
- m) **A markolatot és a fogófelületeket tisztán, olaj- és kenőanyagtól mentesen kell tartani. A csúszós markolatok és fogófelületek lehetlenné teszik a szerszám biztonságos fogását és felügyeletét az esetleges váratlan situációkban.**



FIGYELEM! A szerszám biztonságos használatára vonatkozó általános figyelmeztetések:

Javítás:

- a) **Az elektromos szerszámok garanciális és garancia utáni javítását a PROFIX Szerviz végzi, ami garantálja a javítás kiváló minőségét és az eredeti alkatrészek használatát.**
- b) **Amennyiben a tápkábel sérült, a gyártónál vagy egy speciális javítóműhelyben vagy egy szakember által újjal kell kicserélni a balesetek elkerülése érdekében.**



FIGYELEM!

Az elektromos szerszám használati ideje alatt ajánlott betartani a munkabiztonsági alapszabályokat a tüzesetek, áramütés vagy mechanikai sérülések elkerülése érdekében.

SAROKCSISZOLÓ:



Csiszolásra, csiszolópapírral történő csiszolásra, drótkéfék használatára és abrazív vágásra vonatkozó biztonsági előírások:

- a) **Ez az elektromos szerszám normális, csiszolópapíros és drótkéfék csiszológépként, valamint abrazív vágóberendezésként használható. Minden, az elektromos szerszámmal nyújtott biztonsági előírást, útmutatást, leírást és adatot be kell tartani!** Az alábbi előírások és utasítások be nem tartása áramütést, tüzveszélyt és/vagy súlyos testi sérüléseket okozhat.
- b) **Ne használjon olyan berendezést, amelyet a gyártó nem tervezett, szánt vagy ajánlott ezen elektromos szerszámhoz. Az a tény, hogy a berendezést elektromos szerszámhoz lehet csatlakoztatni, nem biztosítja annak biztonságos használatát!**
- c) **A használt szerszám névleges forgási sebessége legalább egyenlő kell legyen az elektromos szerszám maximális forgási sebességével!** A szerszám elfogadott forgási sebessége nem lehet kisebb az elektromos szerszám megjelölt maximális forgási sebességénél! Az elfogadott sebességnél gyorsabban forgó szerszám tönkremehet.
- d) **A szerszám külső átmérője és vastagsága az erre az elektromos szerszámra vonatkozóan elfogadott értékek között kell megfeleljen!** A helytelen méretű szerszám nem fedhető be vagy ellenőrizhető teljesen.
- e) **A csiszolópapír nyílásának, a csiszolókorong, a peremek, a rögzítőpajzsok és egyéb berendezések átmérőjének pontosan illeszkednie kell a csiszológép tengelyéhez!** Azok a nyílással ellátott szerszámok, melyen nem illeszkednek pontosan a csiszológép tengelyéhez, egyenetlenül forognak, erősen vibrálnak és az elektromos szerszám feletti ellenőrzés elvesztéséhez vezethetnek.
- f) **Tilos hibás munkaszerszámok használatát!** Ellenőrizze a berendezést minden használat előtt, pl. hogy a csiszolópapír nincsen-e megrepedve vagy tönkremenne, a csiszolókorongok nincsenek-e megrepedve, vizsgálja meg a súrlódást és elhasználódást, hogy a drótkéfék nem túl lazák-e vagy a drót nincsen-e eltörve! Ha az elektromos szerszám vagy a munkaszerszám leesik a földre, ellenőrizze, hogy nem sérült-e meg, ha igen, használjon egy új szerszámot! A szerszám ellenőrzése és rögzítése után helyezkedjen a

szerszám forgásfelületén kívüli más helyre, s bizonyosodjon meg arról, hogy más személy sincs a szerszám forgásfelületében. Az elektromos szerszámot egy percre a maximális forgással kell működtetni, vigyázzván arra, hogy a szerszámot használó személy és az annak környezetében lévő személyek ne legyenek a korong forgási hatósugarában! A hibás szerszámok gyakran megrepednek a próbaidő alatt!

- g) Használjon egyéni védőeszközöket! A munkatípus függvényében használjon az egész arcot eltakaró védőmaszkot, szemvédőt és védőszemüveget! Egyes esetekben használjon porvédő maszkot, hallásvédőt, védőkesztyűt, köpenyt, mely megvédi a korong vagy a megmunkált anyag vagy a csiszolókorong kis részzeitől! A szemvédő eszközök képesek kell legyenek megállítani a különböző műveletek során eldobott és keletkezett elemeket! A porvédő maszkok és a légúti szerveket védő eszközök meg kell szűrjék a munka során keletkezett port! A hosszantartó, nagyon erős zajnak való kitétel hallásveszteszt okozhat!
- h) Ügyeljen arra, hogy a környezetében lévő személyek biztonságos távolságban legyenek a munkavégzés helyétől és az elektromos szerszám hatóterületétől! Bármely, az elektromos szerszám közelében lévő személynek védőfelszerelést kell használnia! A megmunkált darab vagy a megrepedt szerszám részei a hatóterületen kívül is sérüléseket okozhatnak!
- i) Munkavégzés ideje alatt tartsa távol az elektromos szerszámot a szigetelt felületektől, ha az elektromos szerszám rejtett elektromos kábeleket vagy saját tápkábelét érintheti! A feszültség alatt lévő kábelekkel történő érintkezés során az elektromos szerszám összes fém része feszültség alá kerül és a kezelő áramütését okozhatja!
- j) A tápkábelt távol kell tartani a forgó szerszámoktól! A szerszám feletti ellenőrzés elvesztése esetén a tápkábel elvágódhat vagy feltekerődhet, a tenyér vagy akár az egész kéz a forgó szerszám hatóterületébe kerülhet.
- k) Tilos az elektromos szerszám kézből történő elengedése, amíg a szerszám forgása le nem áll! A mozgó szerszámok érinthetik azt a felületet, amelyre le lettek helyezve, ami az elektromos szerszám feletti ellenőrzés elvesztéséhez vezethet.
- l) Tilos az elektromos szerszám elindítása a kezelő felé irányítót koronggal!
- m) Tilos a mozgásban lévő elektromos szerszám szállítása! A forgásban lévő szerszám ruházzal történő véletlen érintkezése a ruházat beakadásához és a kezelő a szerszám felé történő húzásához vezethet!
- n) Rendszeresen tisztítsa meg az elektromos szerszám szellőzőnyílásait! A motor ventilátorja a gépházba vonhatja a port, a fémpor nagymennyiségű összegyűlése pedig áramütéshez vezethet.
- o) Tilos gyúlékony anyagok közelében használni az elektromos szerszámot! A szikrák meggyújtják a szerszámot!
- p) Tilos az olyan szerszámok használata, melyek hűtést vagy hűtőfolyadék használatát teszik szükségessé! Víz vagy egyéb hűtőfolyadék használata növeli az áramütés kockázatát!

AZ ÖSSZES MŰVELETRE ÉRVÉNYES BIZTONSÁGI UTASÍTÁSOK

A visszaugrás és az erre vonatkozó figyelmeztetések:

A visszaugrás az elektromos szerszám azonall reakciója a forgásban lévő szerszám (csiszolópapír, csiszolókorong, drótkéfe) blokkolásakor. A blokkolás a forgásban lévő szerszám leállásához vezet, ami az elektromos szerszám feletti ellenőrzés elvesztését eredményezi. A nem ellenőrzött elektromos szerszám a szerszám forgásával ellentétes irányba fordul.

Például amikor a korong a megmunkálandó elemben áll meg, az anyagba helyezett korong széle leállhat és esést vagy visszaugrást idézhet elő. A korong a kezelő felé vagy ellenkező irányba ugorhat, a korongnak a blokkolás helyén kifejtett forgási irányától függően. Ráadásul a korong meg is repedhet.

A visszaugrás az elektromos szerszám helytelen vagy hibás használatának eredménye. Az alábbi biztonsági előírások betartásával kerülhető el:

- a) **Tartsa erősen az elektromos szerszámot, a test és a kezek pedig olyan pozícióban kell legyenek, amelyek mérséklik a visszaugrást! Annak érdekében, hogy a visszaugrás során nagyobb ellenőrzése legyen a visszaugró erő vagy forgási idő felett, használjon mindig pótfogantyút, ha ez része a standard felszerelés készletnek! A kezelő a megfelelő elővigyázatossági intézkedések megtételével ellenőrizheti a hűzásokot és a tolási jelenségeket.**
- b) **Tilos mozgó szerszámok közelében tartani a kezeket! A visszaugrás következtében a szerszám megsértheti a kezet!**
- c) **Ne tartózkodjon olyan helyen, ahol a visszaugrás során az elektromos szerszám kiugorhat! A visszaugrás következtében az elektromos szerszám az abrázív korong mozgásával ellentétes irányába mozog a blokkolás helyén.**
- d) **A sarkok, éles szélek, stb. megmunkálását különös figyelemmel kell végezni! Kerülni kell azokat az alkalmakat, amikor munkavégzések során a szerszámok kiugorhatnak, megütődhetnek vagy leállhatnak! A mozgásban lévő szerszámok hajlamosak leállni a sarkok, éles szélek megmunkálásakor vagy amikor ütés éri őket. Ezt az elektromos szerszám feletti ellenőrzés elvesztése vagy a visszaugrás okozhatja.**
- e) **Tilos a fa megmunkálására alkalmas vagy fogas korongok beszerelése! Ezen típusú korongok gyakran okoznak visszaugrást vagy az elektromos szerszám feletti ellenőrzés elvesztését.**

CSISZOLÁS ÉS VÁGÁS SORÁN BETARTANDÓ KIEGÉSZÍTŐ BIZTONSÁGI FIGYELMEZTETÉSEK



A csiszolási és abrázív vágás során betartandó biztonsági szabályok:

- a) **Csak olyan korongot használjon, amelyet az elektromos szerszámhoz ajánlottak, valamint a koronghoz való speciális pajzsot! A nem az elektromos szerszámhoz tervezett korongok nem fedhetők le és nagyon veszélyesek!**
- b) **A pajzs jól kell rögzüljön az elektromos szerszámhoz, a beállítás pedig a legnagyobb biztonságot kell nyújtson úgy, hogy a kezelő irányába a korong jól legyen lefedve! A pajzs meg kell védi a szerszámot használó személyt a maradóktól és a koronggal való véletlenszerű érintkezéstől.**

- c) **A korongokat csak rendeltetésüknek megfelelően lehet használni!** Például tilos a vágókorong oldalsó részével történő csiszolás! Az abrazív vágókorongok rendeltetése az anyag eltávolítása a korong szélével. Az ezeknél a korongoknál felfelé oldalra kerülő rezgések okoznak és eltörhetnek.
- d) **Használjon mindig az adott koronghoz választott megfelelő méretű és formájú erősítőkarimát!** A karima megtartja a korongot, ugyanakkor csökkenti a korong roncsolódásának lehetőségét. A vágókorong karimája különbözik a csiszolókorong karimájától.
- e) **Tilos a nagyobb elektromos szerszámok használt korongjainak használata!** A nagyobb elektromos szerszámok korongjai nem alkalmasak a kisebb elektromos szerszámokra jellemző nagy sebességre, ezért ezek eltörhetnek.



A vágás során betartandó kiegészítő biztonsági figyelmeztetések:

- a) **Ne tolja és ne nyomja nagyon erősen a korongot! Ne végezzen túlzott mély vágásokat!** Az abrazív korong túlterheltsége növeli a terhet és a vágás közbeni összcsavarodásra vagy hajlításra való hajlamosodást, ezáltal növelve a visszaugrás vagy összeroncsolódás lehetőségét, a korong eltörését.
- b) **Ne álljon egyvonalban a mozgásban lévő vágókoronggal!** A vágókorong a kezelővel ellentétes irányba történő tolása visszaugrás esetén az elektromos szerszám kezelő irányába történő tolását eredményezheti.
- c) **A vágókorong blokkolásakor vagy munkaszünetkor az elektromos szerszámot ki kell kapcsolni és meg kell várni, amíg a vágókorong teljesen megáll!** Soha ne próbálja meg kivenni a mozgásban lévő korongot, mert ez visszaugrást idézhet elő! Meg kell keresni és el kell távolítani a korong megakadásának okát!
- d) **Ne indítsa el az elektromos szerszámot, amíg az nincs az anyagban!** A vágás folytatása előtt a vágókorong el kell érje a maximális forgási sebességet! Ellenkező esetben a korong beakadhat, kiugorhat a megmunkált anyagból vagy visszaugrást okozhat.
- e) **A nagy lemezeket vagy elemeket meg kell támasztani megmunkálás előtt, minimalizálva ezáltal a korong leállításának kockázatát és a visszaugrást!** A nagy elemek elhajolhatnak saját súlyuk alatt. Támasz mindkét oldalon kell legyen, úgy a vágóvonal közelében, mint a széleken.
- f) **Különösen figyeljen a létező falakban végzendő mély vágások ejtésére vagy a rálátás nélküli zónákban történő üzemeltetés során!** A korong az anyagba történő süllyedése során gáz- vagy vízvezetéseket, elektromos kábeleket vagy egyéb olyan elemeket érinthet, amelyek visszaugrást okozhatnak!



A csiszolás során betartandó kiegészítő biztonsági figyelmeztetések:

- a) **Ne használjon túl nagy csiszolópapírt lapot! Amikor kiválasztja a csiszolópapírt, kövesse a gyártó ajánlásait!** A csiszolókorongon kívül elhelyezkedő nagy csiszolópapír sérüléseket okozhat és ugyanakkor a csiszolópapír blokkolását vagy szakadását vagy visszaugrást idézhet elő.

A DRÓTKÉFÉK HASZNÁLATA SORÁN BETARTANDÓ KIEGÉSZÍTŐ BIZTONSÁGI FIGYELMEZTETÉSEK



A drótkéffel történő felület tisztításakor betartandó biztonsági szabályok:

- a) **Tartsa észben, hogy normális használat során is a drótkéfék egyes részei elhasználódhatnak! Tilos a kefékre gyakorolt túlzott nyomás!** A drót darabok könnyen a vékony öltözék és/vagy bőr alá kerülhetnek.
- b) **Amennyiben ajánlott a pajsز használata, kerülje a kefe pajzszal történő érintkezését!** A kefe átmérője nőhet a nyomás és a centrifugális erő megjelenése pillanatában.



CSISZOLÓ, biztonsági figyelmeztetések

Személyi biztonság:

- a) **Az áramellátás megszakítása esetén, pl. áramszünet után vagy amikor a csatlakozó dugó ki van húzva az aljzatból, oldja fel a be/kikapcsolt kapcsolót és helyezze kikapcsolt pozícióba!** Ezáltal megelőzhetjük az elektromos szerszám nem kívánt bekapcsolását.
- b) **Kő feldolgozásokor használjon porszivót!** A porszivó köpor felszívására kell alkalmas legyen! Embe berendezés használata csökkenti a por kockázatát!
- c) **Kő vágásokor használjon vezetőszánt!** Az oldalsó vezető nélkül a vágókorong leállhat és visszaugrást idézhet fel.
- d) **Az elektromos szerszámot mindkét kézzel erősen kell tartani használat közben, ugyanakkor egyetlen munkapozíciót biztosítsa.** Az elektromos szerszámot mindkét kézzel lehet biztosan vezetni.
- e) **Biztosítsa a megmunkált tárgyat!** A megmunkált darab rögzítve szerszámba vagy csavaros szorítóba történő rögzítése biztonságosabb, mint kézben tartása.
- f) **Tilos az elektromos készülék sérült tápkábellel történő használata!** Tilos a sérült kábelt megérintése! Amennyiben a kábel a készülék használata közben sérül meg, húzza ki a csatlakozó dugót az aljzatból! A sérült kábelek növelik az áramütés kockázatát!

A POLÍROZÓ FELÉPÍTÉSE ÉS RENDELLETÉSE:

A szögpolírozógép egy olyan kézi készülék, melyet egy monofázisú motor működtet és kapcsolóval van ellátva. A szerszám egy oldalsó fogantyúval rendelkezik, melyet két meglévő helyen is fel lehet szerelni. A második érintésvédelmi osztályba tartozó (kettős szigetelés) gép.

A polírozógép rendeltetése a fém elemek csiszolása és vágása, a hegesztés megmunkálása, és a megfelelő szerszámok (korongok, kefék, stb.) segítségével a rozsdától való megtisztítás és a fém felületek csiszolása.

A polírozó nem használható gipsz vagy ahhoz hasonló, nagyon poros felületek megmunkálására. A belülré hatoló finom por a szellőzőnyílások eltömítését idézheti elő, ami túlmelegedéshez vagy a motor leégéséhez vezethet.

Ez az elektromos szerszám közepes intenzitású munkák elvégzésére alkalmas. Nem használható hosszú vagy nehéz körülmények között végzett munkavégzésre! **Ne használja a szerszámot olyan munkák elvégzésére, melyek professzionális készülék használatát igénylik!**

Az elektromos szerszám minden olyan használata, amely eltér a fent említett rendeltetéstől, tilos és a garancia elvesztéséhez vezet, a gyártó nem felelős az ezekből eredő károkért.

A készülék összes, a felhasználó által végzett módosítása mentesíti a gyártót a felelősség alól a felhasználónak és a környezetnek okozott károkért.

Ugyanakkor az elektromos szerszám megfelelő használata a karbantartásra, tárolásra, szállításra és javításra is vonatkozik.

Az elektromos szerszám csak a gyártó által megjelölt javítóműhelyekben javítható! A hálózatra kötött készülékeket csak engedélyezett személyek javíthatják!

Egyes reziduális kockázati tényezők még abban az esetben küszöbölhetőek ki teljesen, ha a készüléket a rendeltetésnek megfelelően használták. A készülék felépítéséből és tervezéséből eredően a következő kockázatok jelenhetnek meg:

- Munkavégzés közben a munkaeszköz megérintése a készülék fedetlen területen való működése alatt;
- A munkaeszköz cseréje közbeni égések (Működésben közben a munkaeszköz nagyon felmelegszik. Az égések elkerülése érdekében a munkaeszköz cseréje közben csak védőkesztyűt használjon!);
- A megmunkált tárgy vagy annak egy részének visszaugrása;
- A munkaeszköz repedése/törése;
- Halláskárosodás a szükséges hallásvédő használatának hiányában;
- Egészségre káros por kibocsátások a munkálatok zárt helyen történő végzésekor.

ELEMEEK:

- Körcsiszoló – 1 db.
- Korong pajs – 1 db.
- Pótfogantyú – 1 db.
- Felerősítőkarima – 1 db.
- Rögzítő csavaranya – 1 db.
- Rögzítő csavaranya kulcs – 1 db.
- Garancia – 1 db.
- Használati utasítás – 1 db.

AZA, B, C, D, E, F ÁBRÁK LEÍRÁSA (oldal 2-3):

- | | |
|---------------------------|------------------------------|
| 1. Oldalsó fogantyú | 7. Kapcsoló |
| 2. Korong pajs | 8. Tapkabel |
| 3. Rögzítő csavaranya | 9. Rögzítő csavar |
| 4. Felerősítőkarima | 10. Tengely |
| 5. Forgásirány jelző nyíl | 11. Korong |
| 6. Tengely blokkoló gomb | 12. Rögzítő csavaranya kulcs |

SPECIFIKÁCIÓK:

TÍPUS	VZS125P
Névleges feszültség	230-240 V
Névleges frekvencia	50 Hz
Névleges teljesítmény	750 W
Forgási sebesség	11000 /perc
Korong max. átmérője/nyílás átmérője	125 mm / 22 mm
Tengelymenet	M14
Berendezés osztálya	II/II
Tapkabel hossza	2 m
Súly	2,0 kg
Hangnyomás szint (LpA)	88,7 dB(A), ±3dB(A)
Hangerő szint (LwA)	99,7 dB(A), ±3dB(A)
En60745 szabvány szerinti vibrációs szint (mérésí tolerancia - 1,5m/s ²)	11,786 m/s ²

Az említett vibrációs szint reprezentatív az elektromos készülék használata szempontjából. Amennyiben az elektromos készülék más célból vagy egyéb munkaeszközzel kerül használatra, illetve ha karbantartása nem megfelelő, a vibrációs szint eltérhet a megjelöltől. A fent említett okok a vibrációs expozíció szintje növekedéséhez vezethetnek a működés teljes ideje alatt.

Kiegészítő védelmi eszközöket kell használnia, melyek célja a vibrációs expozíció kezelőre gyakorolt hatásaitól való védelem, mint pl.: Elektromos készülék és munkaeszközök karbantartása, a kezek megfelelő hőmérsékletének biztosítása, a munkatevékenységek sorrendjének megállapítása.

A megadott rezgésszint és a megadott zajkibocsátás mérése szabványos vizsgálati módszerrel történt és felhasználható a szerszámok összehasonlítására.

A megadott rezgésszint és a megadott zajkibocsátás felhasználható a kezdeti expozíció megállapítására.

Figyelmeztetések:

Az elektromos szerszám tényleges használata során a rezgésszint és a zajkibocsátás eltérhet a megadott értékektől, attól függően, hogyan használja a szerszámot, különösen függ a megmunkált anyag típusától.

A kezelőszemély biztonsága érdekében meg kell határozni a biztonsági intézkedéseket, melyek a valós használat alatti expozíció megbecsülésén alapszik (figyelembe véve a művelet összes folyamatát, amikor a szerszám ki van kapcsolva, és amikor üresjáraton van, a kioldási idő kivételével).

HASZNÁLATRA TÖRTÉNŐ FELKÉSZÜLÉS:

1. Bizonyosodjon meg arról, hogy az áramforrás a polírozó nominális tábláján feltüntetett paramétereknek megfelelő paraméterekkel rendelkezik!
2. Bizonyosodjon meg arról, hogy az elektromos szerszám kapcsolója (7) kikapcsolt pozícióban van!
3. Amennyiben hosszabbítót használ, bizonyosodjon meg arról, hogy a hosszabbító paraméterei, a kábelek szakaszai megfelelnek a polírozó paramétereivel. Ajánlott minél rövidebb hosszabbítót használni! A hosszabbító teljesen ki kell legyen feszítve!

■ Oldalsó fogantyú felszerelése

FIGYELEM! Biztonsági okokból, a munkálatok ideje alatt használja az oldalsó fogantyút (1)!

A munkakövetelmények függvényében az oldalsó fogantyút teljesen be kell csavarozni a polírozó gépféj rendelkezésre álló három helyének egyikébe (lásd: B. ábra, 2. oldal).

■ A korong pajs beszerelése

FIGYELEM! Mielőtt elkezdené a korong pajs ki- és beszerelését bizonyosodjon meg arról, hogy a polírozó ki van kapcsolva és nincs áramforráshoz kötve!

Ahhoz, hogy abrázív és fűrés koronggal dolgozzon fel kell szerelnie a korong pajsot (2)! A pajs pozícióját a munkatípus függvényében kell megválasztani! A pajs zárt része mindig a kezelő felé kell elhelyezkedjen! A korong pajs felszereléséhez:

- Rögzítse a polírozót úgy, hogy annak tengelye (10) felfelé álljon!
- Allítsa be a korong pajsot (2) a következő abra szerint (lásd: C. ábra, 2. oldal) és a rögzítő csavarral (9) rögzítene, valamint a PH 2-es (2. sz. Philips) csavarhúzóval.

■ A csiszolószerszámok beszerelése (lásd: D., E., F. ábra, 3. oldal)

FIGYELEM! Mielőtt elkezdén a korong pajszi ki- és beszerelését bizonyosodjon meg arról, hogy a polírozó ki van kapcsolva és nincs áramforráshoz kötve!

Beszerelés előtt meg kell tisztítani a polírozó tengelyt és az összes rögzítő elemet!

Kérjük, ellenőrizze a csiszolószerszám és a polírozó ellenőrzési címkéjén található elfogadott méretek és a csiszoló szerszámok forgási sebességének/átmérőjének megfelelőségét! A polírozó korongját a szerelőkarimára kell rögzíteni! Ne használjon redukciós alátétgyűrűt vagy adaptort!

A korong beszereléséhez:

1. Helyezze a polírozógépet tengelyével (10) felfelé tartva! Rögzítse a felerősítőkarimát (4) úgy, hogy annak alsó része nyúlványával a tengely hornyában legyen úgy, hogy a karima a tengelyre hajoljon!
2. A korong részével lefelé rögzítse a korongot (11) a felerősítőkarima nyúlványának felső részére!
3. Csavarozza a tengelybe a rögzítő csavaranyát (3) úgy, hogy a korong jól rögzüljön! (A rögzítő csavaranya egy konvex és egy konkáv részzel rendelkezik. A használt korong nominális vastagsága függvényében akár az egyik, akár a másik részbe csavarozható (lásd: E. ábra, 3. oldal)).
4. Nyomja meg a tengelyrögzítő gombot (6) és a rögzítő csavaranya kulcsal (12) finoman csavarozza meg, mivel működés közben a csavaranya magától tovább csavarozódik. Ezáltal megelőzzük a reduktor gépházának megrongálódását a korong leszerelése esetén.

FIGYELEM! A tengelyrögzítő gomb (6) csak akkor nyomható meg, ha a tengely nincs mozgásban!

Soha ne használjon nem megfelelő maximális forgási sebességű korongot!

■ Próbaindítás

A csiszolószerszám beszerelése után és a szerszám elindítása előtt ellenőrizze, hogy a szerszám helyesen lett beszerelve és hogy szabadon forog-e!

A próbaindítást más személyektől távol kell elvégezni!

A próbaindítás ideje	Első indítás	1 perc vagy annál több
	A korong cseréje után	3 perc vagy annál több

MŰKÖDÉS:

■ Be/kikapcsolás

A polírozó bekapcsolása a kapcsoló (7) utkozesig való elorenymasaval tortenik. A polírozó kikapcsolásához a gomb hatso reszet kel lenyomni (a gomg rugoja automatikusan a kikapcsolt állapotba huzza a kapcsolot).

FIGYELEM! Soha ne hagyja a polírozót folyamatos működésben! Húzza ki a csatlakozó dugót az aljzatból, ha nem használja a polírozót!

■ Használattal kapcsolatos útmutatások

- A megmunkált anyagot rögzíteni kell, ha nem áll meg biztosan a saját súlya alatt.
- Kerülje a polírozóra gyakorolt túlzott nyomást! A csiszolás a polírozó saját súlya alatt kell történnjen! Vágás közben csak könnyű nyomást végezzen! A korong túl erős nyomása a forgási sebesség

cökkenéséhez vezethet, ami egyetlen felület megjelenését eredményez a csiszolás során! Ezen felül a motor felmelegedésének vagy roncsolódásának egyik oka.

■ Csiszolási irány

Új csiszolókorong használatakor először hátulról (B irány) vezesse a polírozót (lásd: G. ábra, 3. oldal), ekkor a korong szélei nem kerekednek ki és lehetővé teszik a polírozó könnyű, bármely irányba történő mozgását.

■ Csiszolási szög

Ne használja a korong teljes felületét csiszoláshoz, csak a szélét!

Akkor végez hatékony csiszolást, ha a polírozót a csiszolt felületen 15° és 30° közötti szögben tartja (lásd: G. ábra, 3. oldal)

■ Előmunka

Soha ne használjon vágókorongot előmunkához!

A legjobb előmunka eredményt 30° és 40° közötti támadási szögben fogja elérni (lásd: H. ábra, 3. oldal)!

Mozgassa előre és hátra az elektromos szerszámot mérsékeltén nyomva azt! Így a munkadarab nem melegszik fel nagyon, nem változtatja meg színét és nem lesznek rajta bemetszések.

FIGYELEM! Tilos vágókorongok használata előmunkához/csiszoláshoz!

■ Vágás

Vágás közben ne nyomja erősen, ne tartsa ferdén, ne billegtesse az eszközt! Dolgozzon egysegesen, optimálisan a megmunkált anyagtipusnak megfelelően!

Ne fékezze a rotációs szerszámokat a polírozó oldalát más elemekkel történő nyomásával!

FIGYELEM! A vágási irány nagyon fontos! A vágás meg kell egyezzen a korong forgási irányával (lásd: I. ábra, 3. oldal). Ne dolgozzon más irányba a polírozóval! Ellenkező esetben a polírozó vágási vonalától történő kontrollálatlan előrúntásra kerülhet sor!

TÁROLÁS ÉS KARBANTARTÁS:

A polírozó gyakorlatilag nem igényel különösebb karbantartást. A polírozót száraz helyen kell tárolni, gyermekektől távol, tisztán kell tartani, óvni a nedvességtől és a portól! A tárolási körülmények ki kell küszöböljék a mechanikus rongálódások vagy a különböző időjárási viszonyok káros hatásainak lehetőségét!

Ez a gép megfelel a nemzeti és európai szabályoknak, valamint a biztonsági előírásoknak.

Minden javítást szakképzett személy végezhet, kizárólag eredeti csereszereket használva.

■ Tisztítás

A biztos és jó hatásfokú működés biztosítása érdekében a polírozó gépházát és a szellőzőnyílásokat védeni kell a portól és a kosztól! Ajánlott a szerszámot közvetlenül a használat után megtisztítani!

A polírozógépet tiszta és nedves ronggyal, kis mennyiségű szappannal kell tisztítani! Ne használjon semmilyen tisztító- vagy oldószert, ezek megrongálhatják a gép műanyag alkatrészeit! Vigyázzon arra, hogy ne kerüljön víz a készülék belsejébe!

Poros légkörben való használat esetén ajánlott a szellőzőnyílások sűrített levegővel történő tisztítása, amely meggátolja a csapágy rongálódását és eltávolítja a port, amely gátolja a motor hűtése számára fontos levegővel való ellátást.

TÍPIKUS MEGHIBÁSODÁSOK ÉS EZEK MEGOLDÁSA:

Az elektromos szerszám nem kapcsol be vagy nem áll le:

- Ellenőrizze, hogy a tápkábel (8) helyesen van csatlakoztatva és hogy a csatlakozó aljzatban van-e áram!
- Ellenőrizze a szénkefék állapotát és szükség esetén cserélje le őket!

FIGYELEM! A szénkefék cseréjét csak engedélyezett villanszerelő végezheti!

- Amennyiben az elektromos szerszám továbbra sem működik, noha biztosított az áramellátás és a szénkefék jó állapotban vannak, vigye el a garanciaalapon megjelölt címen szereplő javítóműhelybe!

SZÁLLÍTÁS:

A polirozót hordládában kell szállítani és tárolni, mely megóvjá a készüléket a nedvességtől, a portól és a kisméretű tárgyaktól! Különösen a szellőzőnyílásokat kell védeni! A gépházba bejutó kis elemek rongálhatják a motort!

GYÁRTÓ:

PROFIX Sp. z o.o.,
Marywilska u. 34,
03-228 Varsó, LENGYELORSZÁG

KÖRNYEZETVÉDELEM:



FIGYELEM! Ez a jel azt jelöli, hogy a használt készüléket tilos egyéb hulladékkal egy helyen elhelyezni (pénzüntetés terhe mellett). Elektromos és elektronikus gépek veszélyes alkotórészei negatívan befolyásolják a környezetet és az emberek egészségét.

Minden háztartásnak hozzá kell járulnia a használt készülékek

visszanyeréséhez és újrahasznosításához. Úgy Lengyelországban, mint Európában megszervezik vagy már létezik a használt készülékek gyűjtési rendszere, melynek keretében az adott készülék minden értékesítési helyén kötelesek átvenni a használt készüléket. Ezenkívül léteznek ilyen típusú készülékek gyűjtő központjai.

PIKTOGRAMOK:

A névleges táblázatban és a tájékoztató címkéken szereplő ábrák magyarázata:



«**FIGYELEM!** Bekapcsolás és üzemelés előtt olvassa el a használati utasításokat!»



«**Védőszemüveg használata kötelező!**»



«**Hallásvédő használata kötelező!**»



«**Porvédő maszk használata kötelező!**»



«**Védőkesztyű használata kötelező!**»



A PROFIX cég politikája az, hogy folyamatosan tökéletesítse termékeit, ezért fenntartja magának azt a jogot, hogy a termék specifikációit előzetes tájékoztatás nélkül módosítsa! A használati utasításokban megjelölt ábrák csak példák, ezek kicsit eltérhetnek a megvásárolt eszköz valódi arculatától!

Jelen használati utasítást szerzői jogok védik. A PROFIX Sp. z o.o. társaság írásos hozzájárulása nélküli másolása/sokszorosítása tilos!



PRIEŠ RADEKANT DARBĄ SUSIPAŽINKITE SU INSTRUKCIJA.

Išsaugokite instrukciją, nes gali būti reikalinga vėliau.



ĮSPĖJIMAS! Prašome perskaityti visus įspėjimus dėl saugaus naudojimo pažymėtus simboliais ⚠ bei visas nuorodas dėl saugaus naudojimo.

Žemiau pateikiamų įspėjimų dėl saugos bei saugos nuorodų nesilaikymas gali būti elektros smūgio, gaisro ir/arba sunkių kūno sužalojimų priežastimi.

Išsaugokite visus įspėjimus ir visus saugos nuorodas, kad vėliau būtų galima jais pasinaudoti.

Žemiau pateiktuose įspėjimuose sąvoka „elektros prietaisas“ apibūdina elektros prietaisą maitinamą elektros energija iš elektros tinklo (maitinimo laidas) arba elektros prietaisą maitinamą akumuliatoriumi (belaidis).



ĮSPĖJIMAS! Bendri įspėjimai dėl saugaus įrankio naudojimo.

Sauga darbo vietoje:

- Darbo vietoje turi būti švaru, tvarkinga bei geras apšvietimas. *Netvarka bei netinkamas darbo vietos apšvietimas gali būti nelaimingų atsitikimų priežastimi.*
- Nenaudoti elektros prietaiso sprogioje aplinkoje, kurioje yra degūs skysčiai, degios dujos arba dulkės. *Elektros prietaiso darbo metu susidaro elektros kibirkštis, todėl gali užsidegti esantis aplinkoje garai.*
- Darbo vietoje negali būti vaikų bei pašaliniai. *Dėmesio nukreipimas gali būti elektros prietaiso valdymo praradimo priežastimi.*



ĮSPĖJIMAS! Bendri įspėjimai dėl saugaus įrankio naudojimo.

Elektros sauga:

- Elektros prietaisų kištukai turi atitikti elektros lizdo tipui. Jokiū būdu negalima keisti kištuko. Jeigu elektros prietaisas turi įžeminimą, negalima naudoti ilgutuvo. *Originalių kištukų bei lizdų naudojimas sumažina elektros smūgio riziką.*
- Venkite kūno kontakto su įžemintais paviršiais, tokiais kaip vamzdžiai, šildytuvai, centrinio šildymo radiatoriai bei šaldytuvais. *Kontaktas su įžemintais paviršiais didina elektros smūgio pavojų.*
- Saugokite prietaisą nuo lietaus ir drėgmės. *Jeigu vanduo patenka į elektros prietaisą, padidėja elektros smūgio rizika.*
- Nenaudokite laidų ne pagal paskirtį. Neneškite įrenginio paėmę už laido, netraukite už jo norėdami išjungti kištuką iš elektros lizdo. Laidą klokite taip, kad jo neveiktų karštis, jis neišsitemptų alyva ir jo nepažeistų aštrios detalės ar judančios prietaiso dalys. *Pažeistas laidas gali tapti elektros smūgio priežastimi.*
- Jeigu elektros prietaisas yra naudojamas lauke, laido prailginimui naudokite tik specialiai tam skirtus prailgintuvus. *Prailgintuvų skirtų darbui lauke naudojimas sumažina elektros smūgio riziką.*
- Įrankį rekomenduojama jungti į elektros maitinimo tinklą, turintį likutinės srovės įrenginį (RCD), kurio išjungimo srovė yra 30 mA arba mažesnė.
- Jeigu negalima išvengti elektros prietaiso naudojimo drėgnoje aplinkoje, naudokite RCD įrenginį. *RCD įrenginio naudojimas sumažina elektros smūgio riziką.*



ĮSPĖJIMAS! Bendri įspėjimai dėl saugaus įrankio naudojimo.

Žmonių sauga:

- Prietaisu negali naudotis asmenys (tame tarpe vaikai) turintis fizinius, jutimo arba psichinius negalavimus, taip pat asmenys neturintis darbo patirties arba nesusipažinę su prietaisu, nebent toks darbas vyksta stebint specialistui arba pagal prietaiso naudojimo instrukciją, kurį buvo perduota asmeniui atsakingu už saugą.
- Būkite atidūs, sutelkite dėmesį į tai, ką Jūs darote ir, dirbdami su elektros prietaisu, vadovaukitės sveiku protu. Nedirbkite su prietaisu, jei esate pavargę arba vartojote narkotikus, alkoholį ar medikamentus. *Akimirksnio neatidumas naudojant prietaisą gali tapti rimtų sužalojimų priežastimi.*
- Dėvėkite tinkamą aprangą. Nešiokite apsauginius akinius. *Apsauginės aprangos, tokios kaip dulkių kaukė, neslystantis apsauginiai batai, šalmai, asinės, naudojimas sumažina sužalojimų grėsmę.*
- Saugokites, kad neįjungtumėte prietaiso atsitiktinai. Prieš įjungiant kištuką į elektros lizdą ir/arba prieš akumuliatoriaus įjungimą bei prieš paimitant arba pernešant prietaisą įsitikinkite, kad prietaisas yra išjungtas. *Prietaiso pernešimas su pirštu ant jungiklio arba prietaiso įjungimas į maitinimo tinklą gali tapti nelaimingo atsitikimo priežastimi.*
- Prieš įjungdami prietaisą pašalinkite raktus. *Prietaiso besisukančioje dalyje esantis įrankis ar raktas gali tapti sužalojimų priežastimi.*
- Nepasilenkite pernelyg į priekį. Dirbdami atsistokite patikimai ir visada išlaikykite pusiausvyrą. *Patikima stovėseną ir tinkamą kūno laikysena leis geriau kontroliuoti prietaisą netikėtose situacijose.*
- Dėvėkite tinkamą aprangą. Nedėvėkite placių drabužių ir papuošalų. Saugokite plaukus, drabužius ir pirštines nuo besisukančių prietaiso dalių. *Laisvus drabužius, papuošalus bei ilgus plaukus gali įtraukti besisukančios prietaiso dalys.*
- Jeigu įrenginiai yra pritaikyti prijungimui prie dulkių nusiurbimo ir dulkių surinkėjo, įsitikinkite, kad šie įrenginiai tinkamai prijungti ir panaudoti pagal paskirtį. *Dulkių surinkėjų panaudojimas sumažina dulkių poveikio pasekmes.*
- Elektros įrankių naudojimo įgūdžiai, igyti dažno jų naudojimo metu, negali per daug padidinti Jūsų pasitikėjimo savimi ir leisti nesilaikyti saugos taisyklių. *Neatsargiai naudojantis elektros įrankiais, galima rimtai susižeisti per kelias sekundes.*



ĮSPĖJIMAS! Bendri įspėjimai dėl saugaus įrankio naudojimo.

Rūpestingai elektros prietaisų priežiūra ir naudojimas

- Neperkraukite prietaiso. Naudojamo prietaiso galingumas turi atitikti atliekamam darbui. *Tinkamai parinktas elektros prietaisas leis atlikti darbą gerai ir saugiai.*
- Nenaudokite elektros prietaiso su sugedusiu jungikliu. *Elektros prietaisas, kurio nebeegalima įjungti ar išjungti, yra pavojingas ir jį reikia remontuoti.*
- Prieš reguliuodami prietaisą, keisdami darbo įrankius arba prieš sandėliavimą ištraukite kištuką iš elektros lizdo ir/arba atjunkite akumuliatorių. *Ši saugumo priemonė apsaugos jus nuo netikėto prietaiso įsijungimo.*

- d) Nenaudojamą prietaisą sandėliuokite vaikams ir nemokantiems juo naudotis arba nesusipažinusiems su instrukcija asmenims neprieinamoje vietoje. *Elektriniai įrankiai yra pavojingi, kai juos naudoja nepatyrę asmenys.*
- e) Rūpestingai prižiūrėkite prietaisą. Patikrinkite, ar besisukančios prietaiso dalys tinkamai veikia ir niekur nekliūva, ar nėra sulūžusių ar šiaip pažeistų dalių, kurios įtakotų elektros prietaiso veikimą. Jeigu yra gedimai suremontuokite prietaisą. *Daugelio nelaimingų atsitikimų priežastis yra blogai prižiūrimi elektros prietaisai.*
- f) Pjovimo įrankiai turi būti aštrūs ir švarūs. Rūpestingai prižiūrėti elektros prietaisai su aštriais pjovimo įrankiais yra lengviau valdomi ir juos geriau kontroliuoti.
- g) Jeigu prietaisą, papildomus įrankius, darbo įrankius ir t.t. naudokite tik pagal instrukciją, turėdami omeny darbo sąlygas bei atliekamo darbo pobūdį. *Elektros prietaiso naudojimas ne pagal paskirtį gali sukelti pavojingas situacijas.*
- h) Jeigu prietaisą nebuvo naudojamas ilgesnį laiką arba yra naudojamas žemos temperatūros sąlygose, įjunkite jį kelioms minutėms be apkrovos tam, kad tepalas tinkamai pasiskirstytų pavaros mechanizme.
- i) Elektros prietaisus valykite minkštu, drėgnu (ne šlapiu) skuduru ir muilu. Nenaudokite benzino, tirpiklių bei kitų priemonių galinčių pažeisti prietaisą.
- j) Elektros prietaisą laikykite/transportuokite tik po to, kai įsitikinsite, kad jo visos besisukančios dalys yra užblokuotos ir saugomos originaliomis, specialiai tam skirtomis detalėmis.
- k) Elektros prietaisą laikykite sausoje, apsaugotoje nuo dulkių bei drėgmės vietoje.
- l) Elektros prietaisą transportuokite originalioje pakuotėje, saugančioje nuo mechaninių pažeidimų.
- m) Rankenos ir kiti įrankio laikymo paviršiai turi būti švarūs, nealiejuoti ir netepaluoti. *Jeigu rankenos ir kiti įrankio laikymo paviršiai yra šlūsūs, netikėtose situacijose negalėsite įrankio saugiai laikyti ir valdyti.*



ĮSPĖJIMAS! Bendri įspėjimai dėl saugaus įrankio naudojimo.

Remontas:

- a) Garantinį ir pogarantinį elektros įrankių remontą atlieka PROFIX servisas, todėl garantuojama aukščiausia remonto darbų kokybė bei originalios atsarginės dalys.
- b) Jeigu sugedo elektros prietaiso laidas, jį pakeisti galima pas gamintoją, specializuotame remonto punkte arba gali tai atlikti specialistas tam, kad išvengtumėte pavojaus.



ĮSPĖJIMAS!

Darbo su elektros prietaisu metu laikykitės pagrindinių saugaus darbo nuorodų. Tokiu būdu išvengsite gaisro, elektros smūgio bei mechaninių susižalojimų pavojaus.

KAMPINIS ŠLIFUOKLIS



Saugos nuorodos atliekant šlifavimą, šlifavimą šlifavimo popieriumi, šlifavimą vieliniais šepčiais, atliekant abrazyvinį pjovimą:

- a) Šis įrankis yra skirtas atlikti įprastą šlifavimą, šlifavimą šlifavimo popieriumi, šlifavimą vieliniais šepčiais bei gali

būti naudojamas abrazyviniams pjovimui. Būtina laikytis visų šioje instrukcijoje nurodytų saugos nuorodų, aprašymų ir duomenų. *Žemiau išvardytų saugos nuorodų nesilaikymas gali sukelti elektros smūgio pavojų, gaisro pavojų ir/arba sunkius sužalojimus.*

- b) Naudokite tik tokius papildomus įrankius, kurie yra suprojektuoti, numatyti ir siūlomi specialiai šiam elektros prietaisui. *Faktas, kad kokius nors papildomus įrenginius galima užmontuoti šiame elektros prietaise neduoda garantijos, kad jais galima saugiai naudotis.*
- c) Nominalinis apsisukimų greitis naudojamo darbo įrankio turi būti lygi elektros prietaiso apsisukimų greičiui. Leistinas naudojamo darbo įrankio apsisukimų greitis negali būti mažesnis nei nurodytas elektros prietaiso maksimalus apsisukimų greitis. *Darbo įrankis besisukantis didesnių nei leistinas greičių gali lūžti, o jo dalelės tapti nelaimingo atsitikimo priežastimi.*
- d) Darbo įrankio išorinis skersmuo ir storis turi atitikti leidžiamas normas šiam elektros prietaisui. *Netinkamo didžio darbo įrankiai yra netinkamai apgaubiami ir negalima jų kontroliuoti.*
- e) Šlifavimo diskų, apmuvų, tvirtinimo diskų bei kitų darbo įrankių skersmuo turi atitikti elektros prietaiso verpstei. *Darbo įrankiai neatitinkantis elektros prietaiso šlifavimo disko diametru sukasi netolygiai, labai vibruoja, o tai gali priversti prie kontrolės praradimo.*
- f) Draudžiama naudoti pažeistus, sugedusius darbo įrankius. Prieš kiekvieną darbo įrankio panaudojimą patikrinkite jį, pav. šlifavimo diskus – ar neturi plyšių, atplaišių; šlifavimo padus – ar neturi plyšių, nusitrynimų; vielinius šepčius – ar nėra sulaužytų arba laisvų vielų. Jeigu elektros prietaisas arba darbo įrankis netyčia nukrito, būtina patikrinti ar viskas gerai arba pasinaudoti kitu, nesugedusiu. Po to, kai prietaisas yra patikrintas ir pritvirtintas būtina pasitraukti iš prietaiso apsisukimų ploto, taip pat prietaiso apsisukimų plotyje negali būti pašaliniai. Elektros prietaisą įjunkite vienai minūtei dirbti visa galia; asmuo aptarnaujantis prietaisą bei pašaliniai negali būti prietaiso apsisukimų plotyje. *Jeigu prietaisas sugedo, tai dažniausiai gali sugesti visiškai tokio bandymo metu.*
- g) Naudokite asmeninės apsaugos priemones. Priklausomai nuo atliekamo darbo būtina nešioti kaukę, uždengiančią visą veidą, akių apsaugos priemones arba apsauginius akinius. Tam tikruose atvejuose būtina naudoti dulkių kaukę, klausos apsaugines priemones, pirštines, prijuostę, kurį saugos nuo mažų švitrinės medžiagos dalelių arba apdorojamos medžiagos dalelių. *Akių apsaugines priemones turi saugoti nuo atplaišių. Dulkių kaukės bei kvėpavimo takų apsaugines priemones turi filtruoti susidarancius darbo metu dulkių dalelytes. Ilgalais darbas triukšme gali sukelti klausos praradimą.*
- h) Pašaliniai negali būti arti darbo vietos ir ypač arti prietaiso darbo zonos. Žmonės esantis arti elektros prietaiso turi nešioti apsauginius drabužius. *Ruošinio atplaišos arba įskilę darbiniai įrankiai gali atsikilti ir sukelti sužalojimus, taip pat už įrankio veikimo pločio.*
- i) Darbo metu, kai yra pavojus užkliudyti elektros laidus arba

paties prietaiso laidą, elektros prietaisą laikykite už izoliuotus paviršius. Jeigu yra kontaktas su elektros laidais, tai visos metalinės prietaiso dalis taip pat yra po įtampa, o tai gali sukelti elektros smūgį.

- j) **Maitinimo laidą laikykite atokiau nuo besisukančių įrankių.** Kontrolės praradimo atveju, maitinimo laidas gali būti pažeistas arba įtrauktas, o plaštaka arba visą ranką gali patekti į besisukančio darbo įrankio plotą.
- k) **Elektros prietaisą padėti galima tik tada, kai visiškai sustoja jo darbo įrankis.** Besisukantis darbo įrankis gali užkliudyti paviršius, ant kuriuo yra dedamas.
- l) **Negalima paleisti elektrinio įrankio nukreipto disku į dirbančiojo pusę.**
- m) **Draudžiama nešioti įjungtą elektros prietaisą.** Atsitiktinis drabužių ir kontaktas su besisukančiu prietaisu gali būti rūbų įtraukimo ir kūno sužalojimo priežastimi.
- n) **Reguliariai valykite elektros prietaiso ventiliacines angas.** Varkilio ventiliacijos angose gali kauptis dulksės, o pernelyg didelis metalo dulkių kiekis gali sukelti elektros pavojų.
- o) **Nenaudokite elektrinio įrankio šalia degių medžiagų.** Kibirkštys gali uždegti šias medžiagas.
- p) **Nenaudokite darbo įrankių, reikalaujančių aušinimo skysčių.** Vandens arba kitų skystų aušinimo medžiagų naudojimas sukelia elektros smūgio pavojų.

SAUGOS NUORODOS ATLIKANT VISŲ TIPŲ DARBUS:

Atatranka ir atitinkamos įspėjamosios nuorodos:

Atatranka – tai staigi reakcija, atsirandanti, kai besisukantis darbo įrankis (šlifavimo diskas, šlifavimo lėkštė, vielos šepetys ir t.t.) ruošinyje įstringa ar užsiblokuoja. Darbo įrankio įstringimas arba užsiblokavimas sukelia staigų besisukančio priedo sulaukymą, o elektrinis įrankis tampa nesuvaldomas. Nekontroliuojamas elektrinis įrankis pradeda judėti priešinga darbo priedo sukimosi kryptimi.

Pavyzdžiui jei šlifavimo diskas užsiblokuoja ruošinyje, disko kraštas užsiblokuoja ir gali sukelti jo iškritimą arba atatranką. Diskas gali atšokti į dirbančiojo pusę; tai priklauso nuo disko sukimosi krypties atšokimo metu. Šlifavimo diskai taip pat gali tokiau atveju suskilti.

Atatranka yra netinkamo elektrinio prietaiso naudojimo pasekmė. Jos galite išvengti vadovaujantis toliau nurodytomis atsargumo priemonėmis.

- a) **Dirbdami visada tvirtai laikykite elektrinį prietaisą abiem rankomis bei stenkitės išlaikyti tokią kūno ir rankų padėtį, kurioje sugebėtumėte atsipirti prietaiso pasipriešinimo jėgai atatrankos metu.** Jei yra papildoma rankena, visada ją naudokite, tada galėsite suvaldyti atatrankos jėgas bei sukimosi jėgas paleidimo metu. Jei dirbantysis imsis tinkamų saugos priemonių, gali suvaldyti reakcijos jėgas atatrankos metu.
- b) **Niekada nelaikykite rankų arti besisukančio darbo įrankio.** Įvykus atatrankai įrankis gali pataikyti į Jūsų ranką.
- c) **Nestovėkite tokioje padėtyje, į kurią galėtumėte atšokti įrankis įvykus atatrankai.** Įvykus atatrankai įrankis atšoka disko sukimosi priešinga kryptimi užsiblokavimo vietoje.
- d) **Būkite itin atsargūs, apdorodami kampus, aštrius kraštus ir pan. Stenkitės, kad įrankis neatšoktų ir neužsiblokuotų.** Besisukantis darbo įrankis lengviau užsiblokuoja kampų arba aštrių kraštų apdorojimo metu. Tai gali sukelti atatranką arba įrankis gali

tapti nesuvaldomas.

- e) **Negalima montuoti medžio drožimo diskų arba pjūklų diskų.** Šie darbo įrankiai dažnai sukelia atatranką ir įrankis tampa nesuvaldomas.

PAPILDOMOS NUORODOS DĖL ŠLIFAVIMO IR PJOVIMO DARBŲ SAUGOS:



Saugos nuorodos atliekant šlifavimą bei abrazyvinį pjovimą:

- a) **Naudokite tik šiam elektriniam įrankiui rekomenduojamus diskus bei pasirinktiems diskams pritaikytus apsauginius gaubtus.** Diskai, kurie nėra skirti naudoti su šiuo įrankiu, nėra tinkamai apsaugoti gaubtais ir su jais dirbti yra nesaugu.
- b) **Gaubtas turi būti tinkamai pritvirtintas prie elektrinio įrankio, o jo padėtis turi užtikrinti maksimalią apsaugą taip, kad nuo dirbančiojo pusės diskas būtų maksimaliai apdengtas.** Gaubtas turi saugoti dirbantį nuo medžiagos dalėlių bei atsitiktinio prisilietimo prie disko.
- c) **Diskus naudokite tik pagal jų paskirtį.** Pvz. negalima šlifuoti pjovimo disko šonu. Abrazyviniai pjovimo diskai yra skirti periferiniam galandimui. Veikiančios šoninės jėgos gali sukelti virpėjimą arba juos suskaldyti.
- d) **Naudokite tik neapgadintas, atitinkančias diskus tvirtinimo junges; tinkamo dydžio ir formos.** Diskų tvirtinimo jungės laiko diską, sumažina disko sulaužymo galimybę. Pjovimo diskams skirtos jungės gali skirtis nuo šlifavimo diskų jungių.
- e) **Nenaudokite nusidėvėjusių, skirtų didesniems elektriniams įrankiams, diskų.** Didesniems elektriniams įrankiams skirti diskai netinka greičiau besisukančiam mažesniam įrankiui ir gali luti.



Papildomi saugos įspėjimai atliekant abrazyvinio pjovimo darbus:

- a) **Nespauskite pjovimo disko ir nenaudokite pernelyg didelės jėgos. Neatliki pelynų gilių pjūvių.** Didelė disko apkrova padidina disko sulenkimo galimybę arba suskilimą pjovimo metu bei atatrankos arba disko lūžimo pavojų.
- b) **Nestovėkite besisukančio disko linijoje arba už jo.** Kai diskas darbo metu juda nuo jūsų kūno, galimos atatrankos metu diskas ir elektrinis įrankis juda dirbančiojo link.
- c) **Jei diskas užsiblokuoja arba pjovimas nutraukimas dėl kitų priežasčių, elektrinį įrankį būtina išjungti ir plaukti kol diskas nustoja sukstis. Niekada nebandykite ištraukti disko, kol jis sukasi, kitaip gali įvykti atatranka. Raskite gedimo priežastį bei pataisykite ją, kad diskas daugiau nesiblokuotų.**
- d) **Niekada nepradėkite pjovimo iš naujo, kol diskas yra ruošinyje. Prieš pradėdami pjovimą iš naujo, palaukite kol diskas pradeda sukstis visu greičiu. Kitaip diskas gali užstrigti, iššokti iš ruošinio arba sukelti atatranką.**
- e) **Plokštes arba kitus didelius ruošinius būtina paremti, kad sumažinti disko užsiblokavimo arba atatrankos riziką. Dideli ruošiniai dažnai susilenkia nuo savo svorio todėl ruošinį reikia paremti iš abiejų pusių, šalia pjovimo linijos ir prie ruošinio krašto.**
- f) **Būkite ypač atsargūs įpjaudami sienas arba kitas aklinas vietas. Įeinantis į sieną diskas gali prapjauti dujų ar vandens vamzdžius, elektros laidus arba kitus objektus, kurie gali sukelti atatranką.**



Papildomi saugos įspėjimai atliekant šlifavimo darbus:

- a) **Nenaudokite labai didelių švitrinio popieriaus lapų. Elkitės pagal gamintojo nurodymus. Didelis šlifavimo popieriaus lapas, išeinantis už šlifavimo pado paviršių gali tapti sužalojimų priežastimi, užblokuoti, suplėšyti švitrinį popierių arba atmesti jį.**

PAPILDOMI SAUGOS ĮSPĖJIMAI ATLIEKANT DARBUS SU VIELINIAIS ŠEPETĖLIAIS



Saugos nuorodos atliekant paviršiaus valymą vieliniu šepetėliu:

- a) **Atkreipkite dėmesį, kad netgi įprasto šlifavimo metu lieka vielinių šepetėlių seriai. Atlikdami šlifavimo šepetėliu nenaudokite pernelyg didelės jėgos. Vieliniai šereliai gali įstrigti drabužiuose arba ir/arba odoje.**
- b) **Atliekant darbus, kurių metu naudojami vieliniai šepetėliai, rekomenduojama naudoti apsauginį gaubtą; atkreipkite dėmesį, kad šepetėlis nesiliestų su juo. Darbo metu dėl apkrovos bei išcentrinųjų jėgų šepetėlio škersmuo gali padidėti.**



Šlifukoklis – saugos nuorodos

Žmonių sauga:

- a) **Nutrūkus energijos tiekimui, pvz. dėl avarijos arba kištuko iš lizdo ištrakimo atveju, būtina atlaisvinti įjungimo/išjungimo jungiklį ir nustatyti jį padėtyje „išjungtas“. Tokiu būdu išvengsite atsitiktinio įrankio paleidimo.**
- b) **Akmens apdorojimo metu naudokite dulkių nusiurbimo įrenginius. Dulkių siurblys turi būti pritaikytas akmens dulkių nusiurbimui. Šių prietaisų naudojimas sumažina dulkių pavojų.**
- c) **Akmens pjovimui naudokite krepklį. Be šoninio krepiklio pjovimo diskas gali užsiblokuoti ir sukelti atatrąką.**
- d) **Dirbdami visada tvirtai laikykite elektrinį prietaisą abiem rankomis bei stenkitės išlaikyti saugią kūno padėtį. Elektrinis įrankis abejomis rankomis valdomas tvirtčiau.**
- e) **Būtina patikimai pritvirtinti apdorojamą daiktą. Apdorojamo daikto pritvirtinimas tvirtinimo mechanizmu arba spaustuvuose didina darbo saugumą.**
- f) **Draudžiama naudotis prietaisu, jeigu jo maitinimo laidas yra pažeistas. Jeigu laidas yra pažeistas, joku būdu neleskite jo; jeigu laidas yra pažeidžiamas darbo metu, iš karto ištraukite jo kištuką iš elektros lizdo. Pažeistas maitinimo laidas gali būti elektros smūgio priežastimi.**

ŠLIFUKLO KONSTRUKCIJA IR PASKIRTIS:

Kampinis šlifukoklis yra rankinis elektrinis įrankis varomas vienfazės, komutatoriniu varikliu. Aprūpinta pagalbine rankena su galimybe įtaisyti į dviejų pasirenkamus lizdus.

Antrosios saugos klasės įrenginys (dviguba izoliacija).

Šlifukoklis skirtas šlifuoti ir pjauti metalinius elementus, apdirbti suvirinimo jungiamąsias medžiagas, ir naudojant tinkamus įrankius (skydai, šepetys ir t.t.) rūdims šalinti ir metaliniams paviršiams poliruoti. Įrankis nėra skirtas gipso arba panašių, stipriai dulkinančių paviršių apdirbimui. Smulkios dulkės patekdamos į mašinos vidų gali užblokuoti ventiliavimo angas, dėl ko variklis gali perkaisti ir užsidegti.

Šis elektros prietaisas yra skirtas vidutinio intensyvumo darbams. Netinka ilgalaikiam darbui sunkiose sąlygose. **Draudžiama naudotis prietaisu atliekant darbus reikalaujančius profesionalių įrenginių.**

Kiekvienas elektros prietaiso panaudojimas ne pagal paskirtį sukelia garantijos praradimą bei gamintojas tokiu atveju nėra atsakingas už patirtas žalas.

Bet kokios prietaiso modifikacijos padarytos naudotoju atleidžia gamintoją nuo atsakomybės už žalas patirtas tokiu atveju naudotoju bei aplinkiniams.

Tinkamas naudojimas taip pat apima tinkama elektros prietaiso priežiūrą, sandėliavimą, transportavimą bei remontą.

Elektros prietaiso remontą galima atlikti tik specialiuose punktuose nurodytuose gamintoju. Prietaisų, maitinamų elektra remontą gali atlikti tik įgalioti asmenys.

Nepaisant tinkamo prietaiso naudojimo negalima visiškai išvengti rizikos. Galimi rizikos atvejai:

- Prislitietimas prie darbo įrankio darbo metu jo neapsaugotoje dalyje;
- Nusidegimas, keičiant darbinį įrankį. (Darbo metu darbinis įrankis labai įkaista, todėl keičiant įrankį būtina naudoti apsaugines pirštines);
- Apdorojamos medžiagos arba jos dalies atmetimas;
- Darbinio įrankio plyšis/lūžis;
- Klausos pažeidimas dėl klausos apsaugos priemonių nenaudojimo;
- Kenksmingų dulkių susidarymas dirbant uždarose patalpose.

KOMPLEKTAVIMAS:

- Šlifukoklis - 1vnt.
- Skydo apvalkalas - 1vnt.
- Pagalbinė rankena - 1vnt.
- Tvirtinimo flanšas - 1vnt.
- Suspendimo veržlė - 1 vnt.
- Šakutinis raktas - 1 vnt.
- Garantijos lapas - 1 vnt.
- Naudojimo instrukcija - 1 vnt.

A, B, C, D, E, F PIEŠINIŲ APRĀŠAS:

- | | |
|--------------------------------|----------------------|
| 1. Pagalbinė rankena | 7. Jungiklis |
| 2. Skydo apvalkalas | 8. Maitinimo laidas |
| 3. Suspendimo veržlė | 9. Montavimo varžtas |
| 4. Tvirtinimo flanšas | 10. Verpstas |
| 5. Apsisukimų krypties rodyklė | 11. Skydas |
| 6. Verpsto blokados mygtukas | 12. Šakutinis raktas |

TECHNINIAI DUOMENYS:

MODELIS	VZS125P
Nominalioji įtampa	230-240V
Nominalusis dažnis	50 Hz
Sugerta galia	750 W
Rotacinis greitis	11000 /min
Maksimalus skydo diametras/angos diametras	125 mm / 22 mm
Verpsto sriegis	M14
Įrangos klasė	□/II
Maitinimo laido ilgis	2 m
Masė	2,0 kg
Akustinio slėgio lygis (LpA)	88,7 dB(A), ±3dB(A)
Akustinės galios lygis (LwA)	99,7 dB(A), ±3dB(A)
Vibracijų lygis pagal EN 60745 (matavimo paklaida - 1,5m/s ²)	11,786 m/s ²

Pateiktas virpesių lygis yra reprezentatyvus pagrindiniams prietaisų panaudojimams. Jeigu elektros prietaisais bus panaudotas kitiems tikslams arba su kitais papildomais darbo įrankiais bei jeigu nebus tinkamai prižiūrimas, virpesių lygis gali skirtis.

Pateiktos aukščiausios priežastys gali padidinti vibracijų lygį darbo metu. Būtina panaudoti papildomas priemones, saugančias naudotoją nuo vibracijų pasekmių, pav.: prietaiso ir darbo įrankių priežiūra, veiksmų eilės nustatymas.

Deklaruotos bendros vibracijos ir triukšmo vertės išmatuotos, taikant standartinį bandymo metodą, ir gali būti naudojamos įrankių lyginimui. Deklaruotos bendros vibracijos ir triukšmo vertės gali būti naudojamos pradiniam poveikio vertinimui.

Įspėjimai:

Vibracija ir triukšmas elektros įrankio naudojimo metu gali skirtis nuo deklaruojamų vertės, kadangi tai priklauso nuo įrankio naudojimo būdo ir apdirbamo objekto.

Būtina apibrėžti operatoriaus darbo saugos priemones. Jos turi remtis poveikio vertinimu realioje įrankio naudojimo situacijoje (atsižvelgiant į visas darbo ciklo dalis: laiką, kuomet įrankis yra išjungtas ir kuomet veikia tuščia eiga, išskyrus įjungimo laiką).

PIRŠ PRADEDANT DARBĄ:

1. Patikrinti, ar maitinimo parametrai atitinka gamyklinėje lentelėje nurodytus šlifukolio parametrus.
2. Patikrinti, ar šlifukolio jungiklis (7) yra išjungimo pozicijoje.
3. Naudojant ilgintuvą privaloma patikrinti, ar ilgintuvo parametrai, laidų pjūviai atitinka šlifukolio parametrus. Rekomenduojama naudoti kuo trumpiausius ilgintuvus. Ilgintuvus turi būti visiškai išvyniotas.

■ Pagalbinės rankenos montavimas

DĖMESIO: Dėl saugumo priežasčių, atliekant visus darbus su įrenginiu visada privaloma naudoti pagalbinę rankeną (1).

Priklausomai nuo darbo reikalavimų pagalbinę rankeną privaloma įsukti iki galo į vieną iš trijų lizdų šlifukolio galvutėje (žiūrėk: pieš. B, puslapis 2).

■ Skydo apvalkalo montavimas

DĖMESIO: Prieš nuimant ir uždėdant skydo apvalkalą privaloma patikrinti, ar įrenginys išjungtas ir atjungtas nuo elektros tinklo.

Naudojant šlifavimo skydą arba diską pjovimui privaloma sumontuoti skydo apvalkalą (2). Skydo apvalkalo poziciją privaloma pritaikyti darbo tipui. Uždarą apvalkalo šoną visada privaloma laikyti iš operatorius pusės. Siekiant sumontuoti skydo apvalkalą, privaloma:

- Padėti šlifukoįlį taip, kad verpstas (10) būtų nukreiptas į viršų.
- Uždėkite skydo apvalkalą (2), kaip parodyta pav. C, 2 p. ir užsukite montavimo varžtą (9), naudokite sukutuvą Ph 2.

■ Šlifavimo įrankių montavimas (žiūrėk: pieš. D, E, F, puslapis 3)

DĖMESIO: Prieš nuimant ir uždėdant šlifavimo įrankius privaloma patikrinti, ar įrenginys išjungtas ir atjungtas nuo elektros tinklo.

Prieš montavimą privaloma nuvalyti šlifukolio verpstą ir visus tvirtinimo elementus.

Privaloma patikrinti visų leistinų šlifavimo įrankių matmenų ir rotacinių/paviršiaus greičių tinkamumą ant šlifavimo įrankio ir šlifukolio kontrolinių etiketų. Šlifavimo skydas turi būti tvirtai įtaisytas ant tvirtinimo flanšo. Nenaudoti redukcinių poveržlių arba adapterių.

Siekiant sumontuoti skydą privaloma:

1. Padėti šlifukoįlį verpstu (10) į viršų. Uždėti tvirtinimo flanšą (4) apatine iškišančia dalimi su grioveliu ant verpsto šerdies taip, kad flanšas sukibtų ant verpsto.
2. Uždėti skydą (11) iškiša dalimi į apačią ant viršutinės iškišančios tvirtinimo flanšo dalies.
3. Užsukti suspaudimo veržlę (3) ant verpsto taip, kad skydas būtų stipriai pritvirtintas. (Suspaudimo veržlė turi įgaubtą ir iškilą pusę. Priklausomai nuo nominaliojo skydo storumo ji gali būti užsukama viena arba kita puse (žiūrėk: pieš. E puslapis 3)).
4. Nuspausti verpsto blokados mygtuką (6) ir prisukti šakutiniu raktu (12) suspaudimo veržlę bet ne iki galo nes darbo metu ši veržlė savaime susiveržia. Toki veikla leidžia išvengti reduktoriaus korpuso gedimų nuimant skydą.

DĖMESIO: Verpsto blokados mygtuką (6) spausiti tik verpstui esant nejudamoje padėtyje!

Niekada nenaudoti skydų su netinkamu maksimalu rotaciniu greičiu!

■ Bandomasis paleidimas

Sumontavus šlifavimo įrankį ir prieš įjungiant įrenginį patikrinti, ar įrankis tinkamai įtaisytas ir, ar gali laisvai sukstis.

Bandomasis šlifukolio paleidimas turi būti atliktas toli nuo žmonių.

Bandomojo paleidimo laikas	Pirmas paleidimas	1 minutė arba daugiau
	Pakeitus skydą	3 minutės arba daugiau

DARBAS:

■ Įjungimas/išjungimas

Šlifukoilis įjungimas jungikliu (7) perstumiant jį į priekį iki užsiblokavimo padėties.

Šlifukoilis išjungimas paspaudus jungiklio galinę dalį (jungiklio spyruoklė automatiškai perstumia jungiklį iki padėties „išjungtas“).

DĖMESIO: Niekada negalima atidėti šlifukoilio su užblokuotu jungikliu. Baigus naudojimą privaloma ištraukti maitinimo laido kištuką nuo lizdo.

■ Naudojimo nurodymai

- Privaloma pritvirtinti apdirbamą detalę, jeigu ji neišlaiko savo paties svorio.
- Privaloma vengti per didelį spaudimą į skydą. Šlifavimas atliekamas pasinaudojant šlifukoilio svoriu. Pjovimo metu naudoti tik nedidelį spaudimą. Per didelis spaudimas į skydą sumažina rotacinį greitį, dėl ko šlifavimo metu pasirodo nelygumų ant paviršiaus. Tai gali taip pat sukelti variklio perkaitimą ir gedimą.

■ Šlifavimo kryptis

Naudojant naują šlifavimo skydą pirmiausia privaloma vedžioti iš užpakalio (B kryptis) (žiūrėk: pieš. G puslapis 3), šiuo metu naujo skydo kraštas pasidaro apvaliam, dėl ko galima lengvai perkelti šlifukoįlį bet kokia kryptimi.

■ Šlifavimo kampas

Šlifavimo metu nenaudoti viso skydo paviršiaus, tik jo kraštą.

Efektvyvus šlifavimas užtikrintas kai tarp šlifukoilio ir apdirbamos medžiagos išlaikytas kampas nuo 15° iki 30° (žiūrėk: pieš. G, puslapis 3).

■ Grubus šlifavimas

Grubaus šlifavimo metu geriausias rezultatus galima pasiekti vedžiojant

šlifavimo skydą kampu nuo 30° iki 40° apdirbamo paviršiaus atžvilgiu (žiūrėk: pieš. H puslapis 3).

Su nedidele jėga spausiti į šlifuojamą elementą ir glaudžiai perstumti po apdirbamą medžiagą. Dėl tinkamos spaudimo jėgos apdirbamas elementas labai nesusišils, ne persidažys ir šlifavimo metu nepasirodys grioveliai arba kiti iškilimai ant jo paviršiaus.

DĖMESIO: Jokių atveju nenaudoti pjovimo skydų plėšimui / šlifavimui.

■ Pjovimas

Pjovimo metu nespausiti per stipriai į įrenginį, neiškreipti, nesvyruoti. Privaloma dirbti su tolygia, tam tikrai medžiagai pritaikyta pastūma.

Nestabdyti besisukančių įrankių spaudžiant įrenginį iš šonų į kitus objektus.

DĖMESIO: Svarbus yra pjovimo kryptis. Privaloma pjauti pagal skydo apsisukimų kryptį (žiūrėk: pieš. I puslapis 3). Nenaudoti įrenginio kita kryptimi! Priešingu atveju įrenginys gali netikėtai iššokti nuo pjovimo linijos.

LAIKYMAS IR PRIEŽIŪRA:

Mašina praktiškai nereikalauja specialios priežiūros. Mašina turi būti laikoma vaikams neprieinamoje vietoje, švari, apsaugota nuo drėgmės ir apdulkinimo. Įrangą turi būti laikoma sąlygose, kur nekyla mechaninių pažeidimų rizika ir žalingas atmosferos poveikis.

Šis įrenginys atitinka šalies ir Europos normas, ir saugumo nurodymus. Visus remontus gali vykdyti tik kvalifikuotas personalas, naudojamas originalias atsargines dalis.

■ Valymas

Siekiant užtikrinti saugų ir efektyvų darbą, šlifuklio korpusas ir ventiliavimo angos turi būti nuvalyti nuo dulkių ir teršalų. Rekomenduojama nuvalyti įrenginį kiekvieną kartą baigus naudojimą.

Šlifuklį šluostyti drėgna šluoste ir nedideliu muilo kiekiu. Nenaudoti jokių valymo priemonių nei tirštiklių; jie gali pažeisti įrenginio plastmasines dalis. Privaloma užtikrinti, kad vanduo nepatektų į prietaiso vidų.

Naudojant įrankį stipriai apdulkinčioje aplinkoje rekomenduojama prapūsti ventiliacijos skyles suslėgtu oru, tai sumažins galimybę pažeisti guolius ir pašalins dulkes blokuojančias variklį vėsinantį orą.

TIPIŠKI GEDIMAI IR JŲ ŠALINIMAS:

Elektros prietaiso neįjunkite arba sustabdykite darbą:

- patikrinkite ar maitinimo laidas (8) yra tinkamai prijungtas; patikrinkite ar elektros lizde yra įtampa;
- patikrinkite anglies šepetėlių būklę ir pagal poreikį pakeiskite;

DĖMESIO! Anglies šepetėlius keitimą gali atlikti tik elektrikas.

- nepaisant to, kad yra maitinimas ir anglies šepetėliai yra geros būklės, o elektros prietaisas toliau neveikia, tokiu atveju būtina jį išsiųsti į aptarnavimo servisą nurodytu garantiniame lape adresu.

TRANSPORTAVIMAS:

Šlifuklį privaloma transportuoti ir laikyti transportavimo dėžėje, kuri saugo nuo drėgmės, dulkių ir smulkių elementų patekimo, ypač privaloma apsaugoti ventiliacijos skyles. Smulkūs elementai, kurie pateks į korpuso vidų gali pažeisti variklį.

GAMINTOJAS:

PROFIX Sp. z o.o.,
Marywilka 34,
03-228 Varšuva, Lenkija

APLINKOS APSAUGA:



DĖMESIO: Pateiktas simbolis reiškia, kad panaudotus prietaisus draudžiama išmesti kartu su kitomis atliekomis (už pažeidimų gresia piniginė bauda). Panaudoti elektros prietaisai bei elektroninės dalis ir komponentai turi neigiamą poveikį aplinkai ir žmonių sveikatai.

Namų ūkis turėtų prisidėti prie panaudotos įrangos utilizavimo bei pakartotino medžiagų panaudojimo (perdirbimo). Lenkijoje ir Europoje yra kuriama arba jau veikia panaudotos įrangos surinkimo sistema. Todėl visi paminėtos įrangos pardavimo taškai yra įpareigoti priimti panaudotą įrangą. Be to yra specialūs panaudotos įrangos priėmimo taškai.

PIKTOGRAMAI:

Paveikslėlių esančių prietaiso firminėje lentelėje ir informaciniuose lipdukuose paaiškinimas:



«**ĮSPĖJIMAS! Prieš įjungdami perskaitykite naudojimo instrukciją!**»



– «**Visada dėvėkite apsauginius akinius!**»



– «**Naudokite klausos apsaugos priemones!**»



– «**Naudokite dulkių kaukę!**»



– «**Naudokite apsaugines pirštines!**»



PROFIX įmonė siekia tobulinti savo produktus, todėl gali keistis produktų specifikacijos. Apie šiuos pasikeitimus įmonė nėra įpareigota nepranešti. Paveikslėliai esantis aptarnavimo instrukcijoje tai tik pavyzdžiai bei gali skirtis nuo nusipirkto prietaiso.

Ši instrukcija yra apsaugojama autoriaus teise. Kopijavimas/plėtojimas be PROFIX Sp. z o.o. leidimo raštu draudžiamas.

DT-C2/d_zg/0386

Łomna Las: 2021.03.03

(EN) EC/EU DECLARATION OF CONFORMITY
(PL) DEKLARACJA ZGODNOŚCI WE/UE
(RO) DECLARAȚIE DE CONFORMITATE CE/UE

(LV) EK/ES ATBILSTĪBAS DEKLARĀCIJA
(LT) EB/ES ATITIKTIKIS DEKLARACIJA
(CS) ES/EU PROHLÁŠENÍ O SHODĚ

(HU) EK/EU-MEGFELELŐSÉGI NYILATKOZATA

(EN) MANUFACTURER (PL) PRODUCENT (RO) PRODUCĂTOR (LV) RAŽOTĀJS (LT) GAMINTOJAS (CS) VÝROBCE (HU) GYÁRTÓ

PROFIX Sp. z o.o. ul. Marywińska 34, 03-228 Warszawa

(EN) Person who was authorized to develop technical documentation: (LT) Asmuo įgaliotais parengti techninę dokumentaciją;
(PL) Osoba upoważniona do przygotowania dokumentacji technicznej: (CS) Osoba oprávněná připravit technickou dokumentaci;
(RO) Persoana împuternicită pentru pregătirea documentației tehnice: (HU) Műszaki dokumentáció elkészítésére meghatalmazott személy;
(LV) Persona atbildīga par tehniskās dokumentācijas sagatavošanu: (HU) Műszaki dokumentáció elkészítésére meghatalmazott személy;

Mariusz Rotuski, Centrum Dystrybucyjno-Handlowe PROFIX, ul. Dobra 3, Łomna Las, 05-152 Czosnów

(EN) Angle Grinder (PL) Szlifierka kątowna (RO) Polizorul unghiular (LV) Lēnka slīpmašīna (LT) Kampinis šlifuošklis (CS) Úhlová bruska (HU) Szégsziszoló

VULCAN Concept VZS125P

S1M-JC7-125C

**230 - 240 V; 50 Hz; 750 W; kl. II; no: 11000/min; ø125; M 14
S2104 ---- S2452**

(EN) The object of the declaration described above is in conformity with the relevant Union harmonisation legislation: (PL) Wymieniony powyżej przedmiot niniejszej deklaracji jest zgodny z odnosnymi wymaganiami unijnego prawodawstwa harmonizacyjnego: (RO) Obiectul declarației descris mai sus este în conformitate cu legislația relevantă de armonizare a Uniunii: (LV) Iepriekš aprakstītais deklarācijas priekšmets atbilst attiecīgajam Savienības saskaņošanas tiesību aktam (LT) Pirmaiau aprašytas deklaracijos objektas atitinka susijusius derinamuosius Sąjungos teisės aktus: (CS) Výše popsaný předmět prohlášení je ve shodě s příslušnými harmonizačními právními předpisy Unie: (HU) A fent ismertetett nyilatkozat tárgya megfelel a vonatkozó uniós harmonizációs jogszabálynak:

(EN) 2006/42/EC (OJ L 157, 9.6.2006, p. 24–86); 2014/30/EU (OJ L 96, 29.3.2014, p. 79–106); 2011/65/EU of the European Parliament and of the Council of 8 June 2011 on the restriction of the use of certain hazardous substances in electrical and electronic equipment (OJ L 174, 1.7.2011, p. 88–110), change 2015/863/UE;
(PL) 2006/42/WE (Dz.U. L 157 z 9.6.2006, str. 24–86); 2014/30/UE (Dz.U. L 96 z 29.3.2014, str. 79–106); 2011/65/UE z dnia 8 czerwca 2011 r. w sprawie ograniczenia stosowania niektórych niebezpiecznych substancji w sprzęcie elektrycznym i elektronicznym (Dz.U. L 174 z 1.7.2011, str. 88–110), zmiana 2015/863/UE;
(RO) 2006/42/CE (JO L 157, 9.6.2006, p. 24–86); 2014/30/UE (JO L 96, 29.3.2014, p. 79–106); 2011/65/UE a Parlamentului European și a Consiliului din 8 iunie 2011 privind restricțiile de utilizare a anumitor substanțe periculoase în echipamentele electrice și electronice (JO L 174, 1.7.2011, p. 88–110), schimbare 2015/863/UE;
(LV) 2006/42/EK (OV L 157, 9.6.2006., 24./86. lpp.); 2014/30/ES (OV L 96, 29.3.2014., 79./106. lpp.); 2011/65/ES (2011. gada 8. jūnijs) par dažu bīstamu vielu izmantošanas ierobežošanu elektriskās un elektroniskās iekārtās (OV L 174, 1.7.2011., 88./110. lpp.), maiņa 2015/863/UE;
(LT) 2006/42/EB (OL L 157, 2006 6 9, p. 24–86); 2014/30/ES (OL L 96, 2014 3 29, p. 79–106); 2011/65/ES 2011 m. birželio 8 d. dėl tam tikrų pavojingų medžiagų naudojimo elektros ir elektroninėje įrangoje apribojimo (OL L 174, 2011 7 1, p. 88–110), pokytis 2015/863/UE;
(CS) 2006/42/ES (Úř. věst. L 157, 9.6.2006, s. 24–86); 2014/30/EU (Úř. věst. L 96, 29.3.2014, s. 79–106); 2011/65/EU ze dne 8. června 2011 o omezení používání některých nebezpečných látek v elektrických a elektronických zařízeních (Úř. věst. L 174, 1.7.2011, s. 88–110), změna 2015/863/UE;
(HU) 2006/42/EK (HL L 157., 2006.6.9., 24–86. o.); 2014/30/EU (HL L 96., 2014.3.29., 79–106. o.); 2011/65/EK irányelve (2011. június 8.) egyes veszélyes anyagok elektromos és elektronikus berendezéseken való alkalmazásának korlátozásáról (HL L 174., 2011.7.1., 88–110. o.), változás 2015/863/UE;

(EN) and have been manufactured in accordance with the standards:
(PL) oraz został(y) wyprodukowany(e) zgodnie z normą(ami):
(RO) și au fost produse conform normelor:
(LV) un tika izgatavoti atbilstoši normām:

(LT) bei yra pagamintas pagal normas:
(CS) a byla(y) vyrobená(y) podle normy(em):
(HU) és gyártás(uk) az alábbi szabvány(ok)nak megfelelően történt:

EN 60745-1:2009+A11:2010 EN 60745-2-3:2011+A2:2013+A11:2014+A12:2014+A13:2015

EN 55014-1:2017 EN 55014-2:2015 EN IEC 61000-3-2:2019 EN 61000-3-3:2013+A1:2019

IEC 62321-1:2013 IEC 62321-2:2013 IEC 62321-3-1:2013 IEC 62321-5:2013 IEC 62321-4:2013+A1:2017 IEC 62321-7-2:2017 IEC 62321-7-1:2015

IEC 62321-6:2015 IEC 62321-8:2017

Mariusz Rotuski

Pélnomocnik Zborzdu ds. Certifikacij

Representative of the Board for Certification

(EN) This declaration of conformity is issued under the sole responsibility of the manufacturer. (PL) Niniejsza deklaracja zgodności wydana zostaje na wyłączną odpowiedzialność producenta. (RO) Prezenta declarație de conformitate este emisă pe răspunderea exclusivă a producătorului. (LV) Šī atbilstības deklarācija ir izdota vienīgi uz šāda ražotāja atbildību. (LT) Ši atitiktikis deklaracija išduota tik gamintojo atsakomybe. (CS) Toto prohlášení o shodě vydal na vlastní odpovědnost výrobce. (HU) E megfelelőségi nyilatkozata gyártó kizárólagos felelősségére kerül kibocsátásra.

